



US00D989588S

(12) **United States Design Patent**  
**Gou**

(10) **Patent No.:** **US D989,588 S**  
(45) **Date of Patent:** **\*\* Jun. 20, 2023**

- (54) **SOLDERING IRON HOLDER**
- (71) Applicant: **Guangzhou Yihua Electronic Equipment Co., Ltd., Guangdong (CN)**
- (72) Inventor: **Mingkang Gou, Guangdong (CN)**
- (73) Assignee: **Guangzhou Yihua Electronic Equipment Co., Ltd., Guangdong (CN)**
- (\*\*) Term: **15 Years**
- (21) Appl. No.: **29/830,424**
- (22) Filed: **Mar. 11, 2022**

**Related U.S. Application Data**

- (62) Division of application No. 29/748,330, filed on Aug. 28, 2020, now Pat. No. Des. 949,657.

(30) **Foreign Application Priority Data**

Apr. 27, 2020 (CN) ..... ZL202030181276.0  
 Apr. 27, 2020 (CN) ..... ZL202030457147.X

- (51) **LOC (14) Cl.** ..... **08-05**

- (52) **U.S. Cl.**  
USPC ..... **D8/71**

- (58) **Field of Classification Search**  
USPC ..... D8/30, 71, 499  
CPC ..... B23K 3/027; B23K 3/0615; B23K 3/08  
See application file for complete search history.

(56) **References Cited**

**U.S. PATENT DOCUMENTS**

- 4,762,979 A \* 8/1988 Geoffroi ..... B23K 3/027  
269/254 R
- D308,932 S \* 7/1990 Straub ..... D8/14.1
- 5,054,106 A \* 10/1991 Fortune ..... B23K 1/012  
219/230
- D413,502 S \* 9/1999 Chang ..... D8/71
- D533,042 S \* 12/2006 Loch ..... D8/71

- D542,110 S \* 5/2007 Mochizuki ..... D8/71
- D594,046 S \* 6/2009 Kita ..... D15/144
- D645,319 S \* 9/2011 Hamm ..... D8/74
- 9,687,927 B2 \* 6/2017 Stuckey ..... B23K 3/028
- D832,070 S \* 10/2018 Hoang ..... D8/71
- D832,901 S \* 11/2018 Gou ..... D15/144
- D896,857 S \* 9/2020 Gou ..... D8/71
- D902,682 S \* 11/2020 Kita ..... D8/71

(Continued)

**OTHER PUBLICATIONS**

“Hakko 633-01 633 Soldering Iron Holder”, Sep. 26, 2009, Amazon.com, site visited Feb. 22, 2022: <https://www.amazon.com/Hakko-633-01-Iron-Holder-Cleaner/dp/B000TGNWCS> (Year: 2009).\*

(Continued)

*Primary Examiner* — Jack Reickel

*Assistant Examiner* — Michael A Kervin

(74) *Attorney, Agent, or Firm* — Lucas & Mercanti, LLP

(57) **CLAIM**

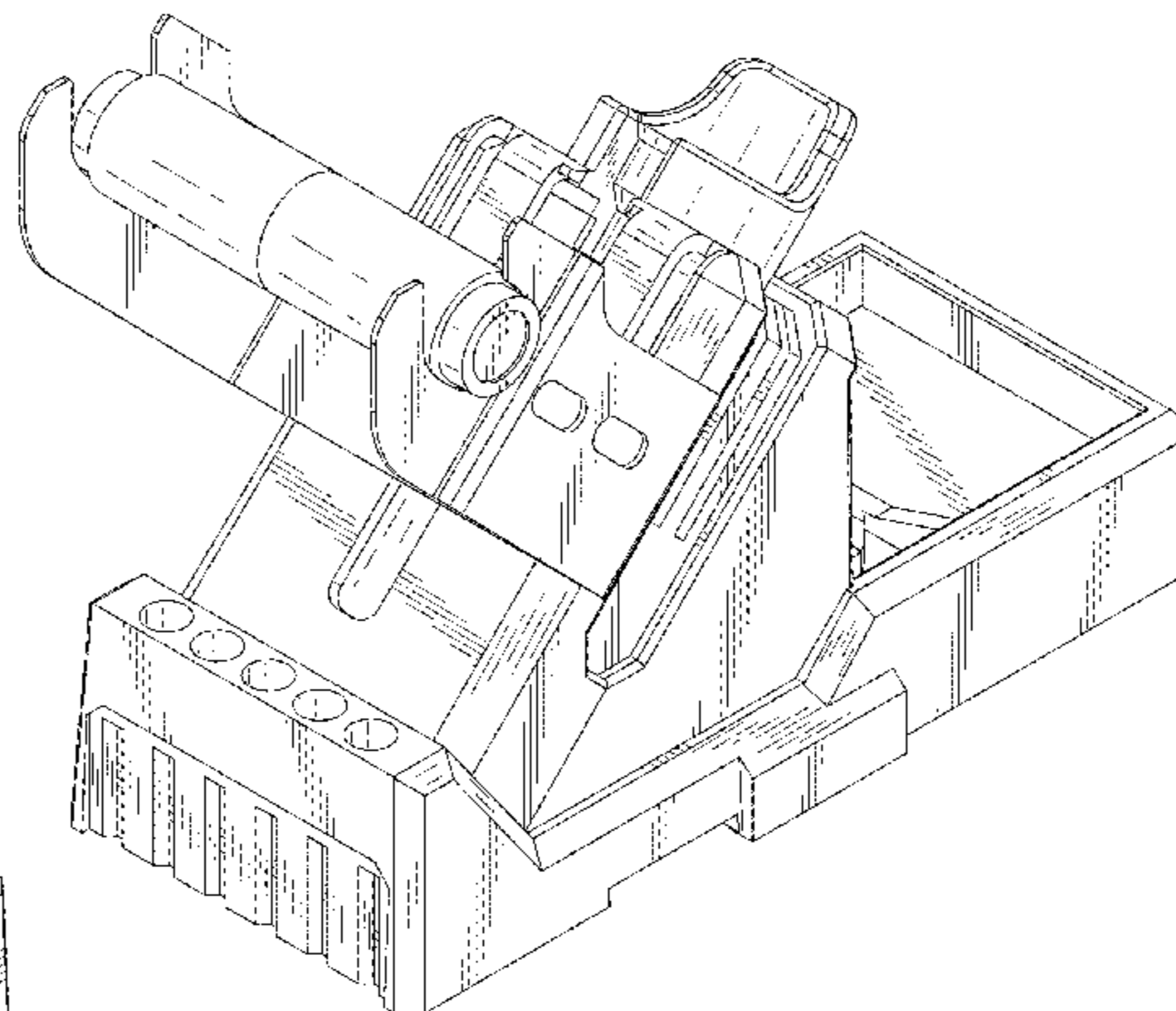
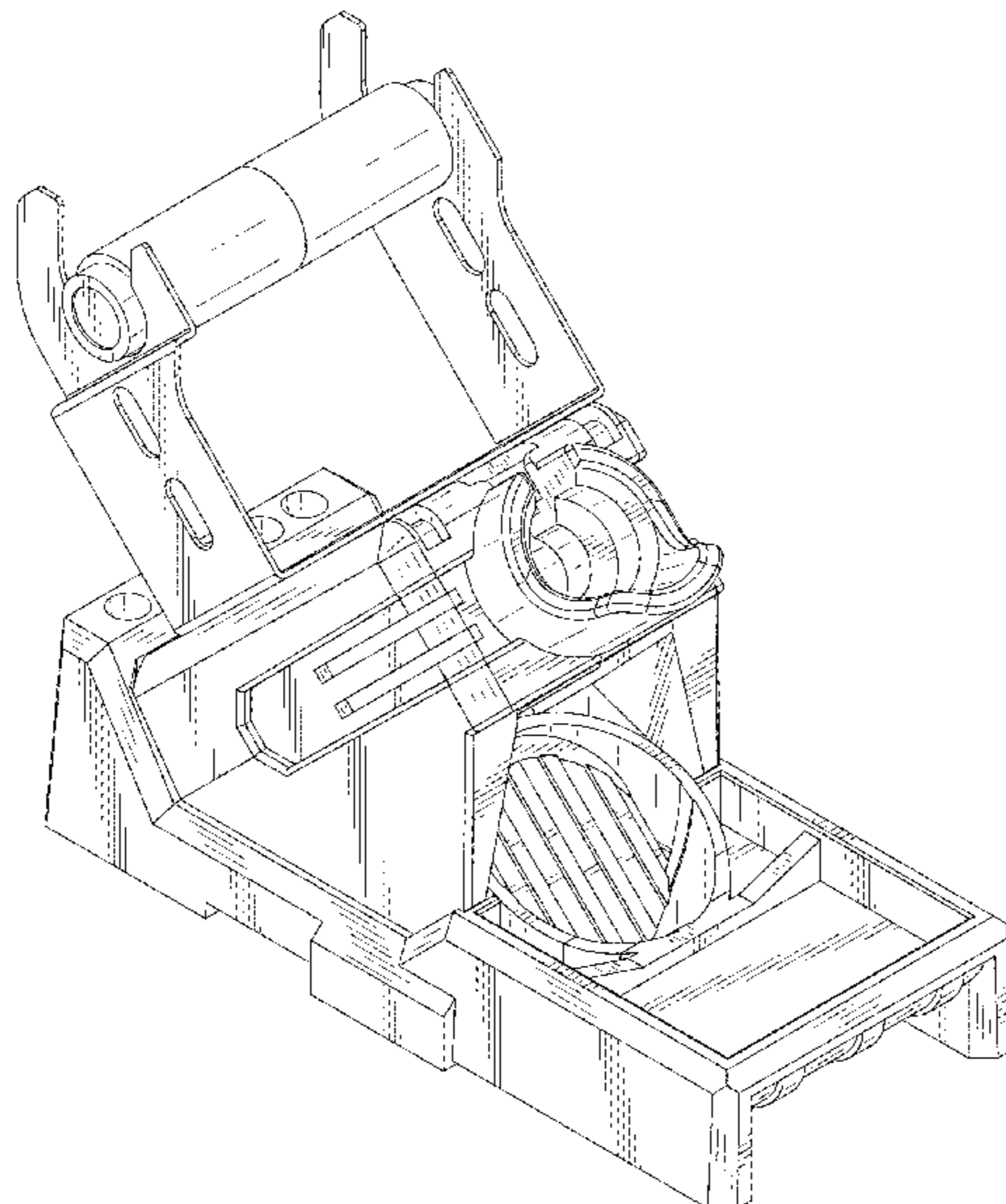
The ornamental design for a soldering iron holder, as shown and described.

**DESCRIPTION**

FIG. 1 is a top, front, right side perspective view of the soldering iron holder;  
 FIG. 2 is a top, front, left side perspective view thereof;  
 FIG. 3 is a top, rear right side perspective view thereof;  
 FIG. 4 is a top, rear, left side perspective view thereof;  
 FIG. 5 a front view thereof;  
 FIG. 6 is a rear view thereof;  
 FIG. 7 is a top view thereof;  
 FIG. 8 is a bottom view thereof;  
 FIG. 9 is a left side view thereof; and,  
 FIG. 10 is a right side view thereof.

The broken lines show portions of a soldering iron holder which forms no part of the claimed design.

**1 Claim, 9 Drawing Sheets**



(56)

**References Cited**

U.S. PATENT DOCUMENTS

D911,403 S \* 2/2021 Gou ..... D15/144.2  
D937,916 S \* 12/2021 Gou ..... D15/144.2  
D949,657 S \* 4/2022 Gou ..... D8/71  
2008/0067164 A1\* 3/2008 Kuo ..... B23K 3/027  
219/242  
2010/0108827 A1\* 5/2010 Teraoka ..... B23K 3/027  
248/117.2

OTHER PUBLICATIONS

“Sealody Solderino Station”, Jan. 8, 2019. Amazon.com, site visited Feb. 22, 2022: <https://www.amazon.com/Soldering-356°F-896°F-Temperature-Circuited-protection/dp/B08MTTTFW6> (Year: 2019).\*  
“Yihua 936A II Soldering Station”. Jul. 31, 2020. Amazon.com, site visited Feb. 22, 2022: <https://www.amazon.com/Soldering-Intelligent-Adjustable-392°F~896°F-Versatile/dp/B08F28F7YB> (Year: 2020).\*

\* cited by examiner

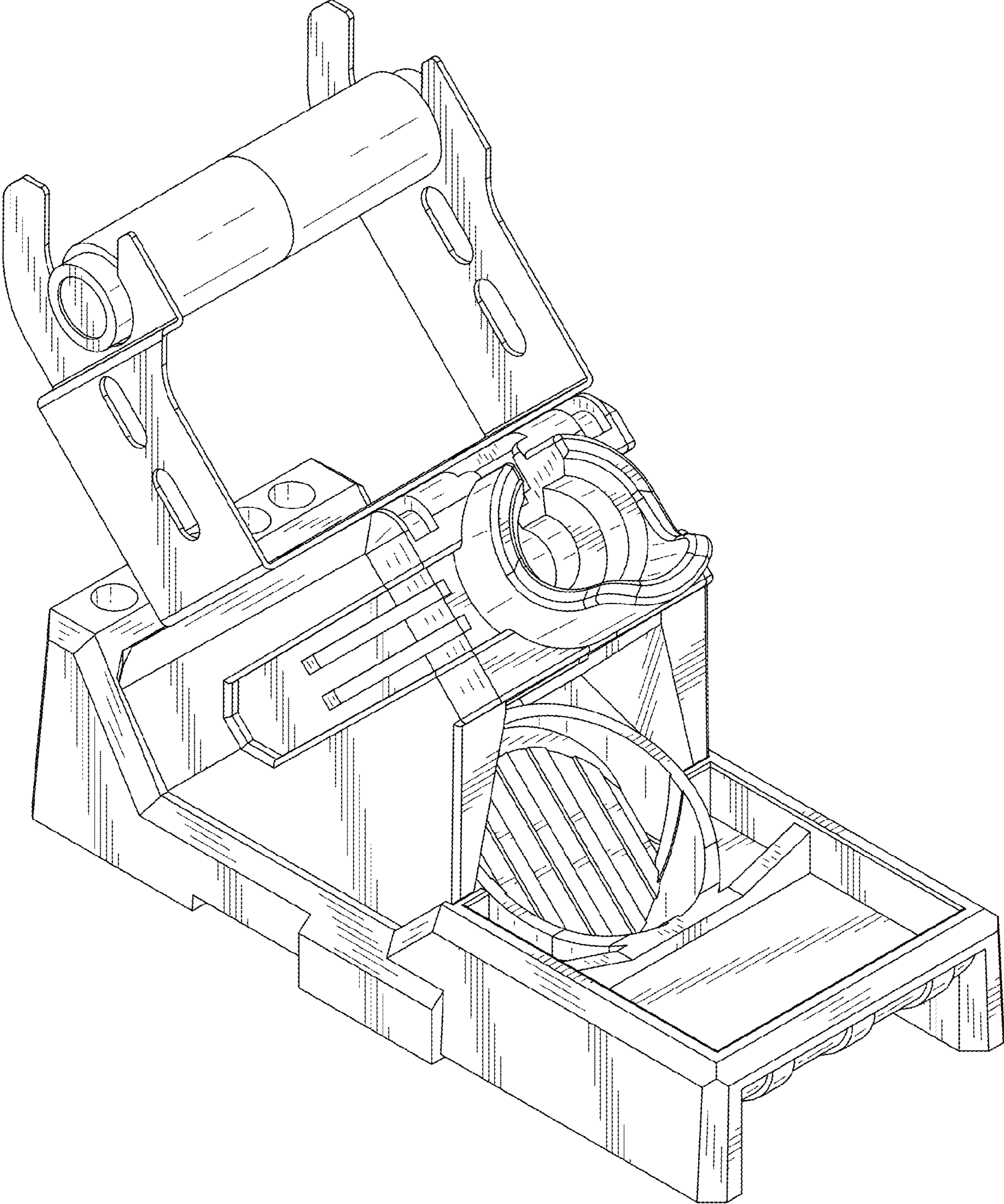


FIG. 1

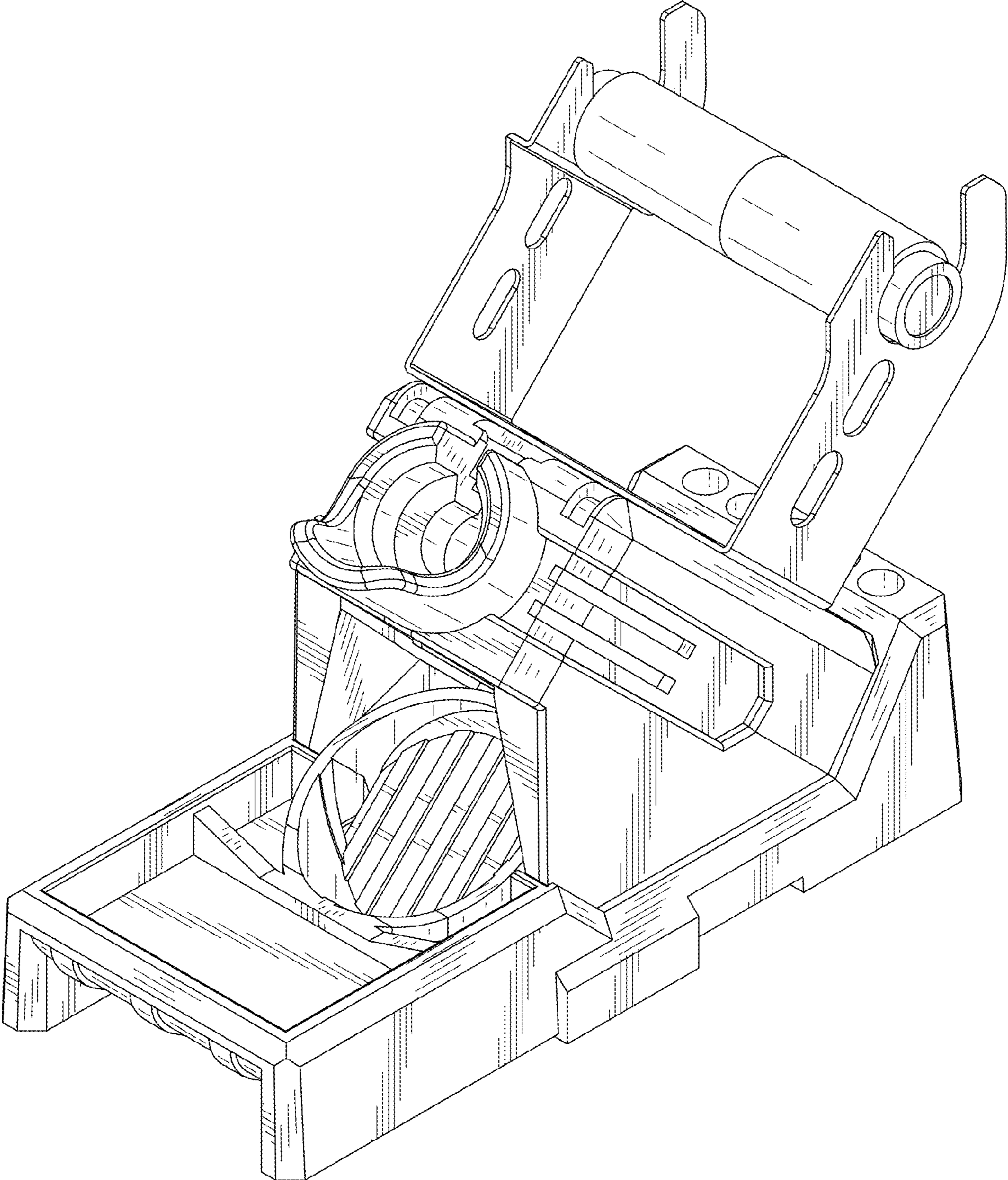


FIG. 2

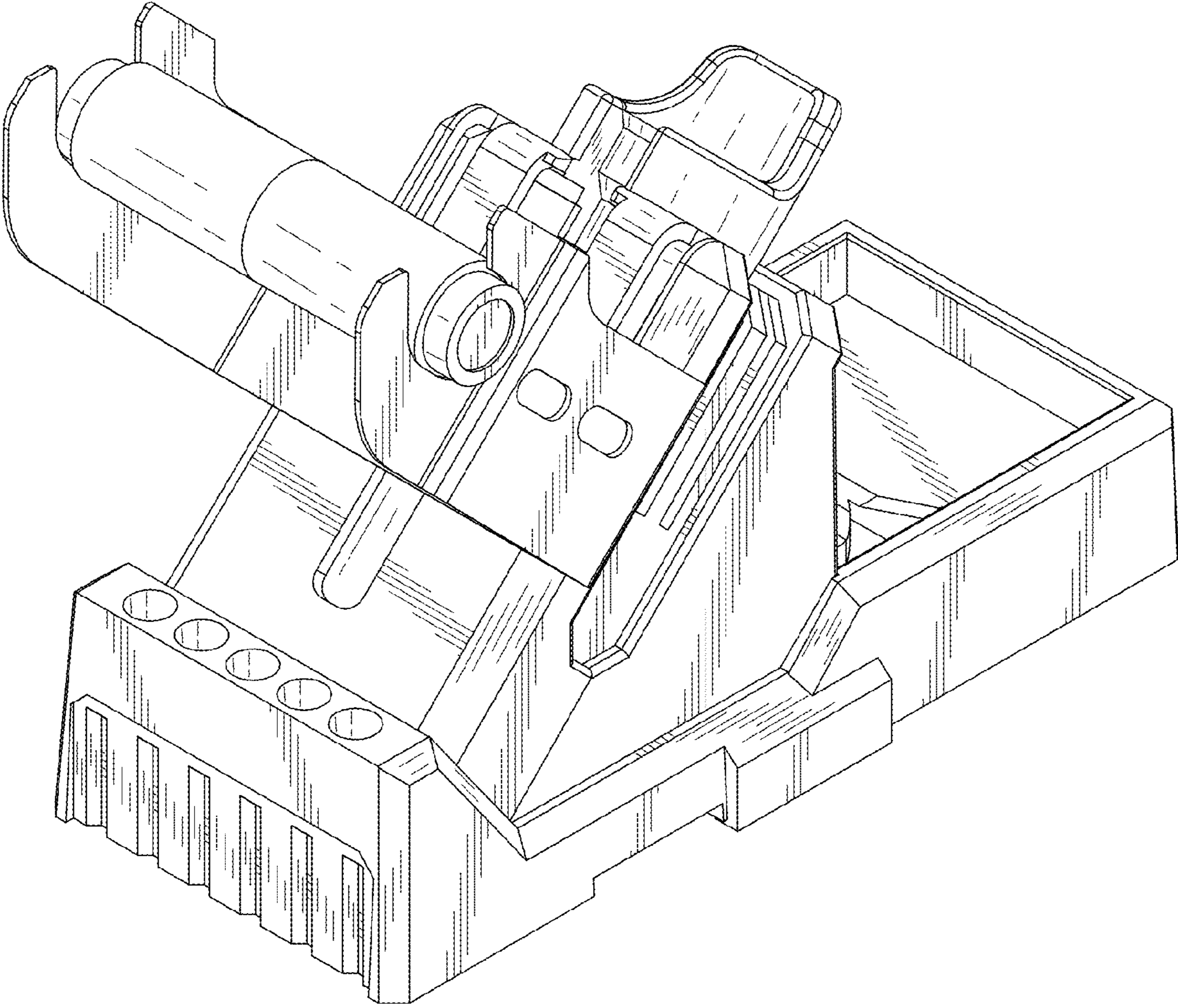


FIG. 3

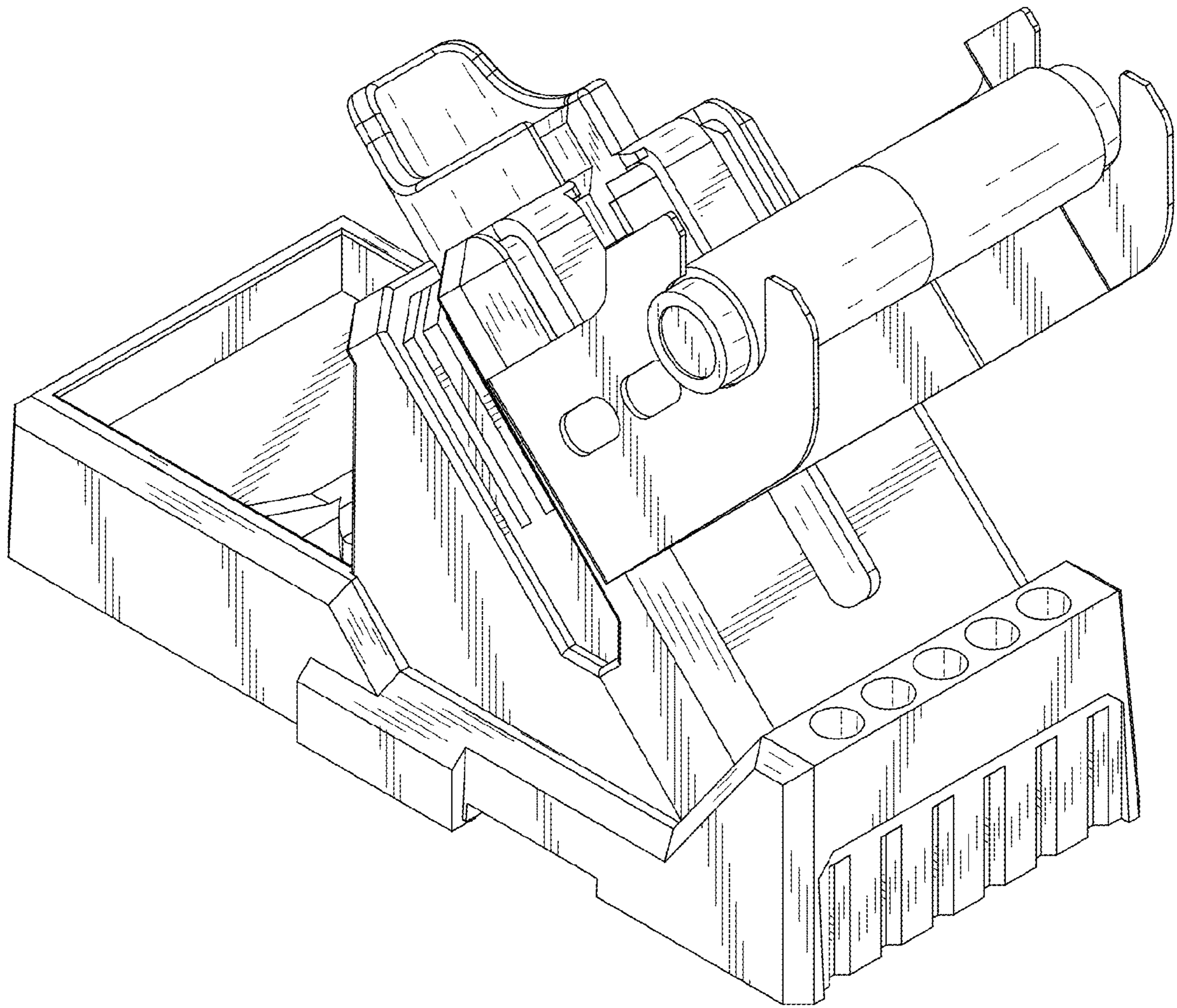


FIG. 4

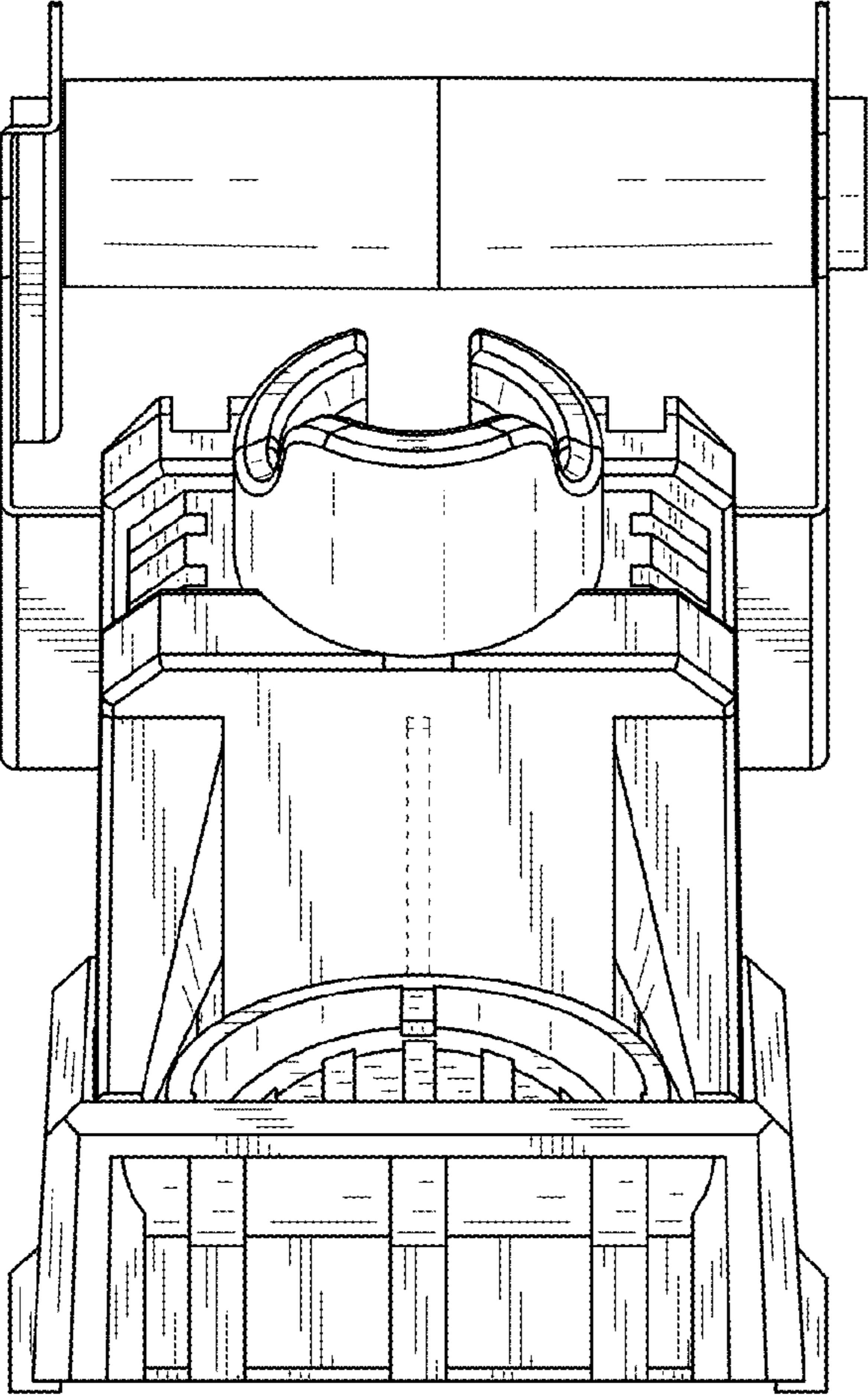


FIG. 5

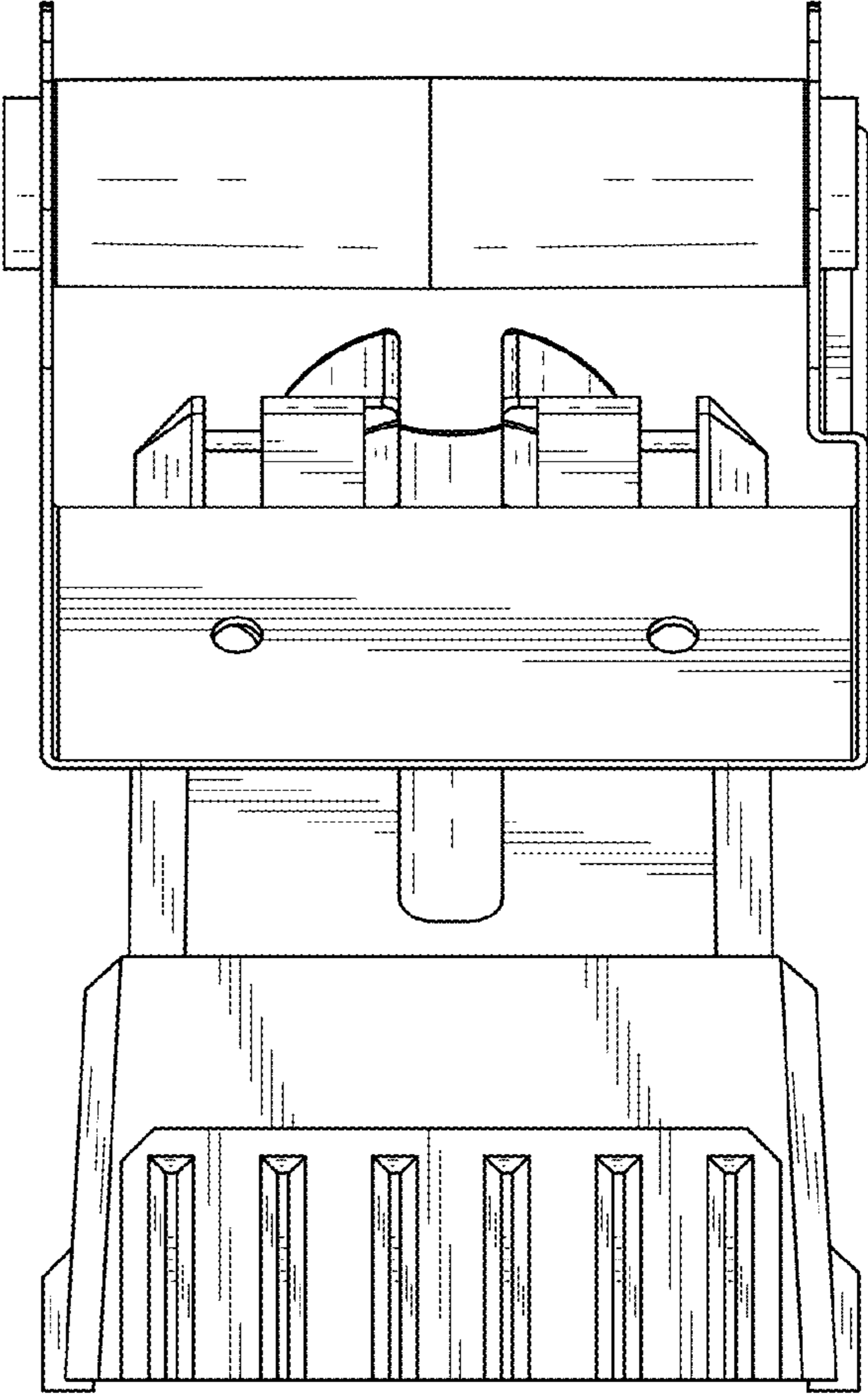


FIG. 6

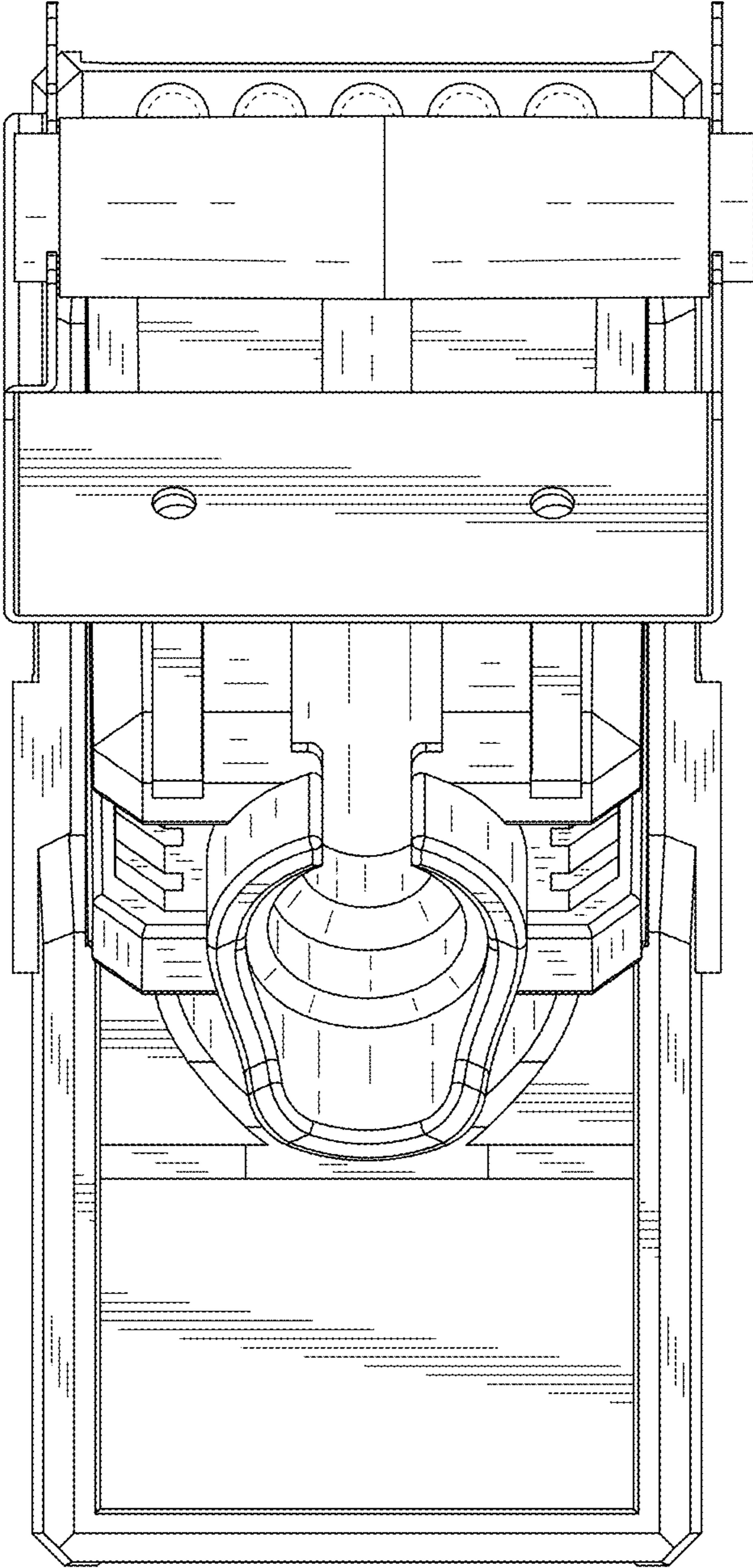


FIG. 7



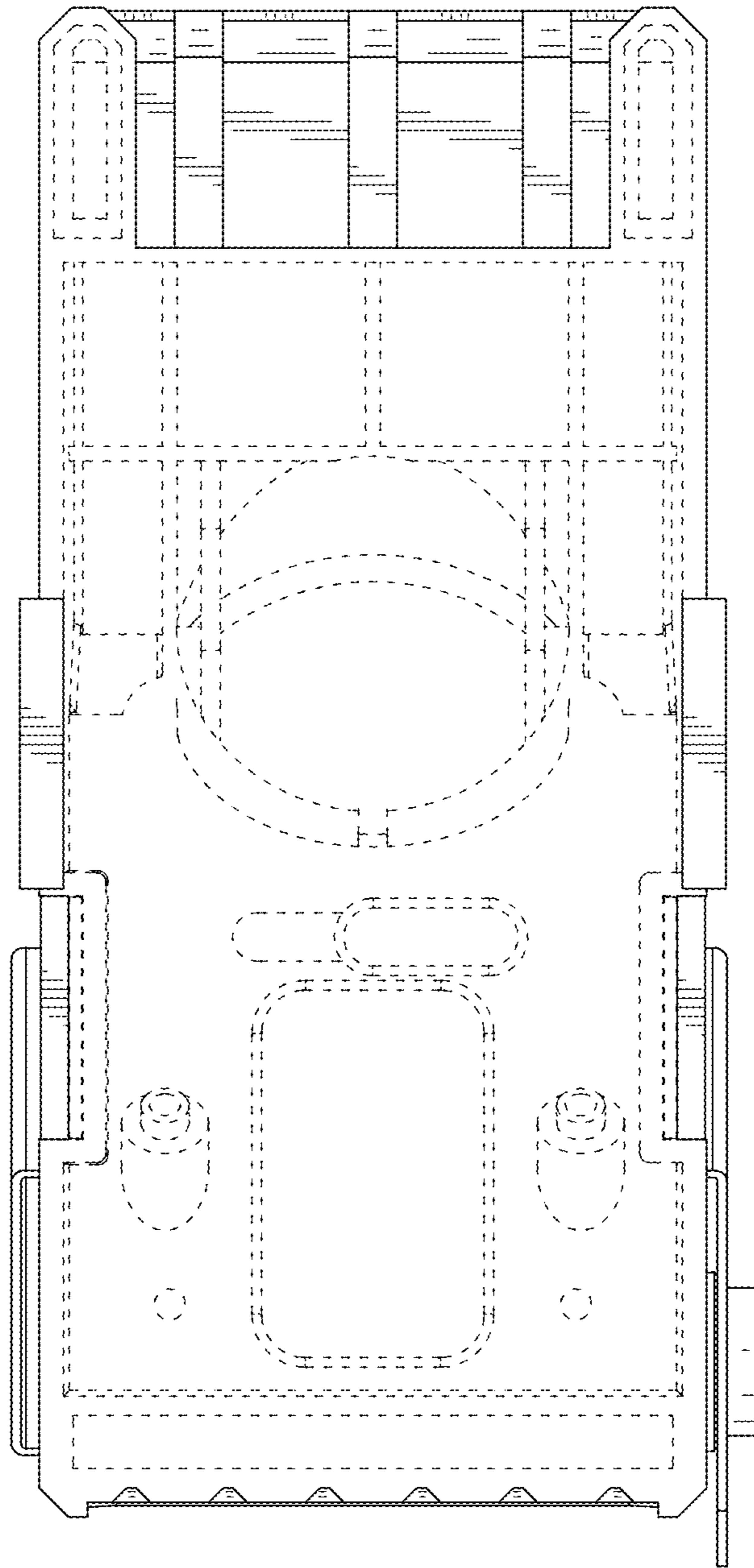


FIG. 8

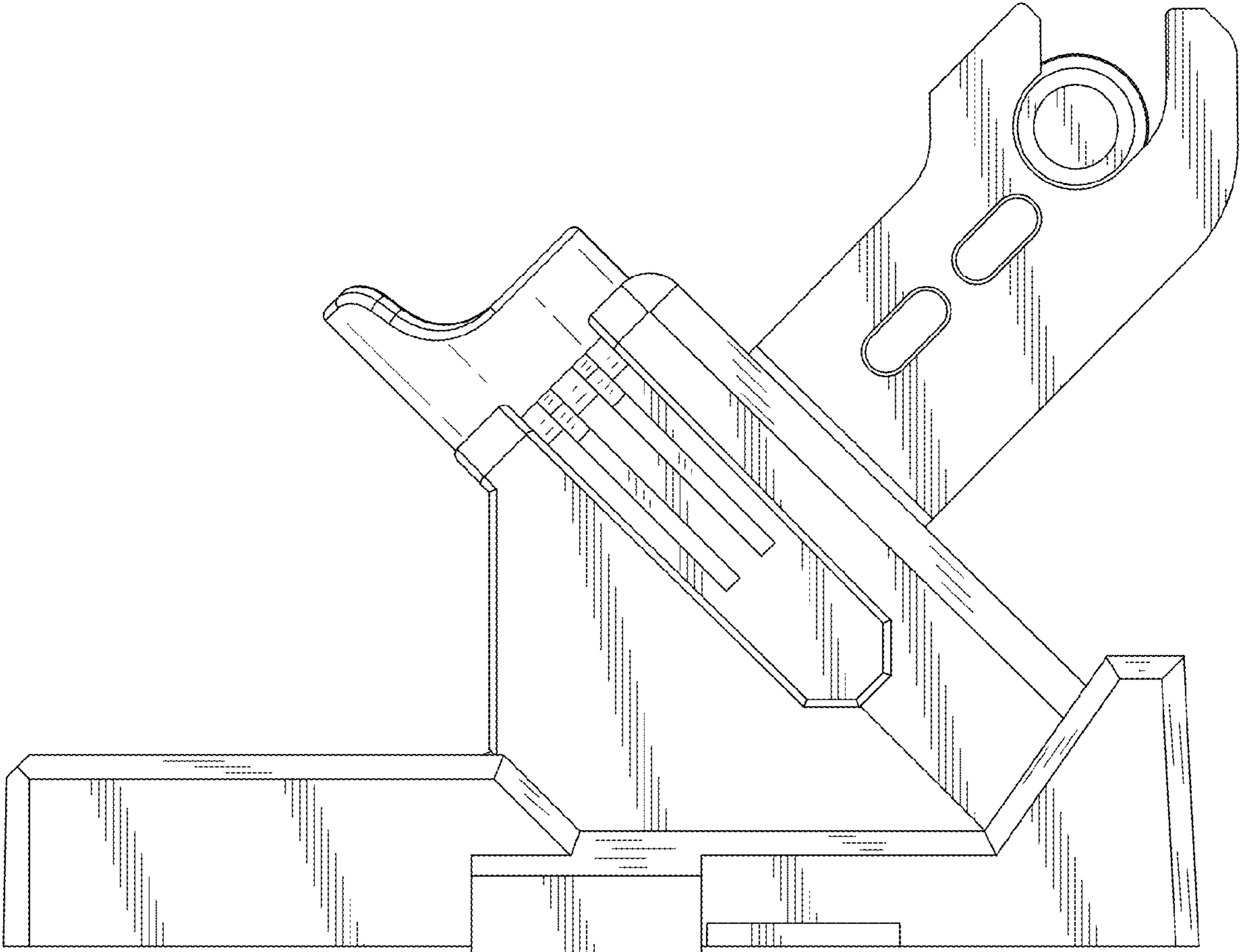


FIG. 9

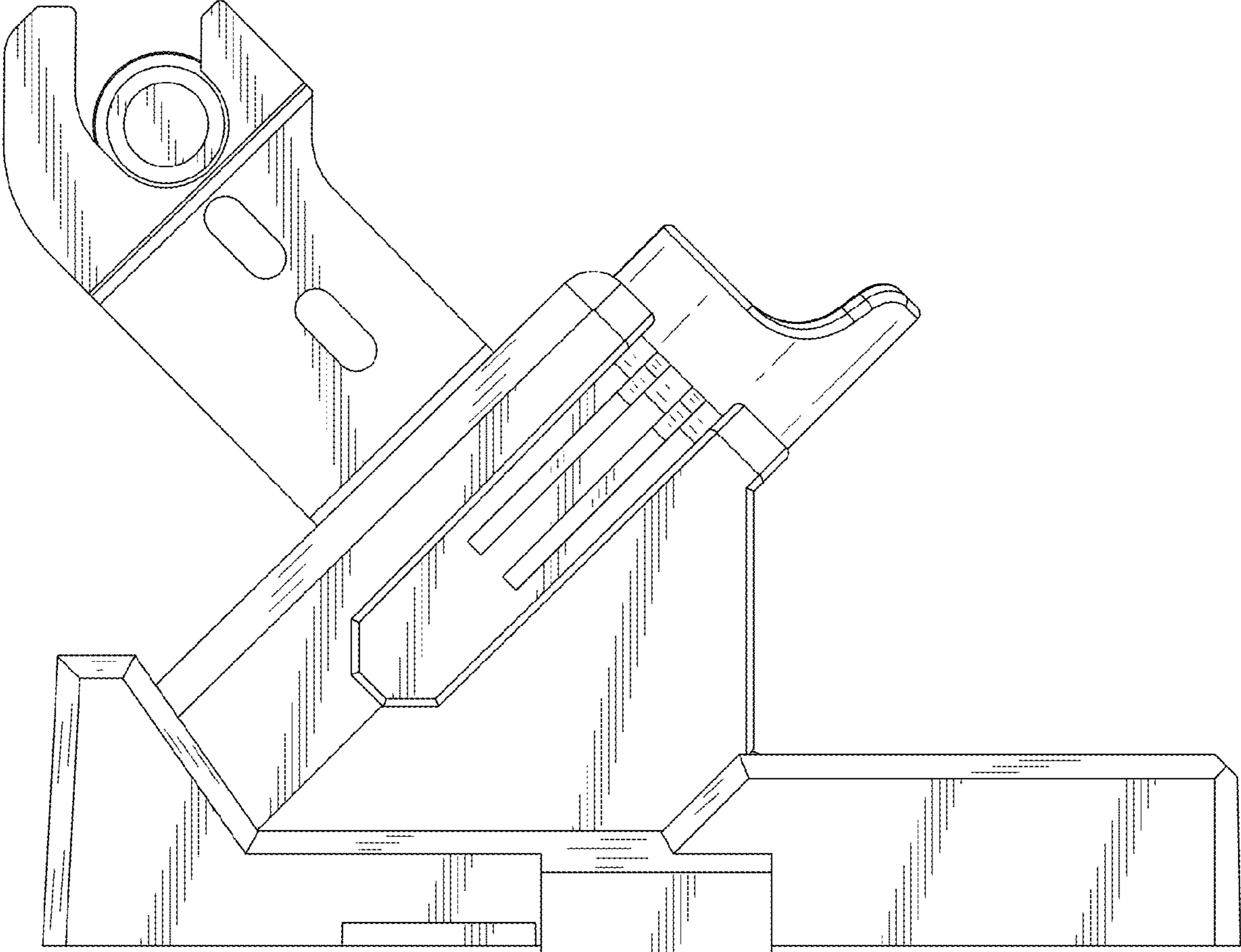


FIG. 10