



US00D989585S

(12) **United States Design Patent**
Thompson et al.

(10) **Patent No.:** **US D989,585 S**
(45) **Date of Patent:** **** Jun. 20, 2023**

- (54) **SAW**
- (71) Applicant: **BLACK & DECKER INC.**, New Britain, CT (US)
- (72) Inventors: **Samuel Peter Thompson**, Newcastle Upon Tyne (GB); **James R. Standaloft**, Gateshead (GB); **Gary Spratt**, Darlington (GB); **Mark James Baxter**, Newcastle Upon Tyne (GB); **Tylan A. Tschopp**, Baltimore, MD (US)
- (73) Assignee: **BLACK & DECKER INC.**, New Britain, CT (US)
- (**) Term: **15 Years**
- (21) Appl. No.: **29/781,917**
- (22) Filed: **May 3, 2021**
- (51) **LOC (14) Cl.** **08-03**
- (52) **U.S. Cl.**
USPC **D8/64**
- (58) **Field of Classification Search**
USPC D8/69, 68, 67, 66, 64, 61; 83/747, 83/699.21; 310/50; 30/394, 393, 392, 30/391, 390, 377, 376; 173/216, 217
CPC B27B 19/09; B23D 49/162; B23D 49/165; B23D 49/167; B25F 5/02
See application file for complete search history.

- (56) **References Cited**
U.S. PATENT DOCUMENTS

D410,183 S *	5/1999	Thomson	D8/69
D420,876 S *	2/2000	Bosten	D8/69
D484,381 S *	12/2003	Yamada	D8/64
D485,147 S *	1/2004	Yamada	D8/64
D518,697 S *	4/2006	Aglassinger	D8/64
D560,989 S *	2/2008	Yamamoto	D8/64
D566,504 S *	4/2008	Hayakawa	D8/64
D567,048 S *	4/2008	Yamamoto	D8/64
D792,182 S *	7/2017	Ishikawa	D8/64

* cited by examiner

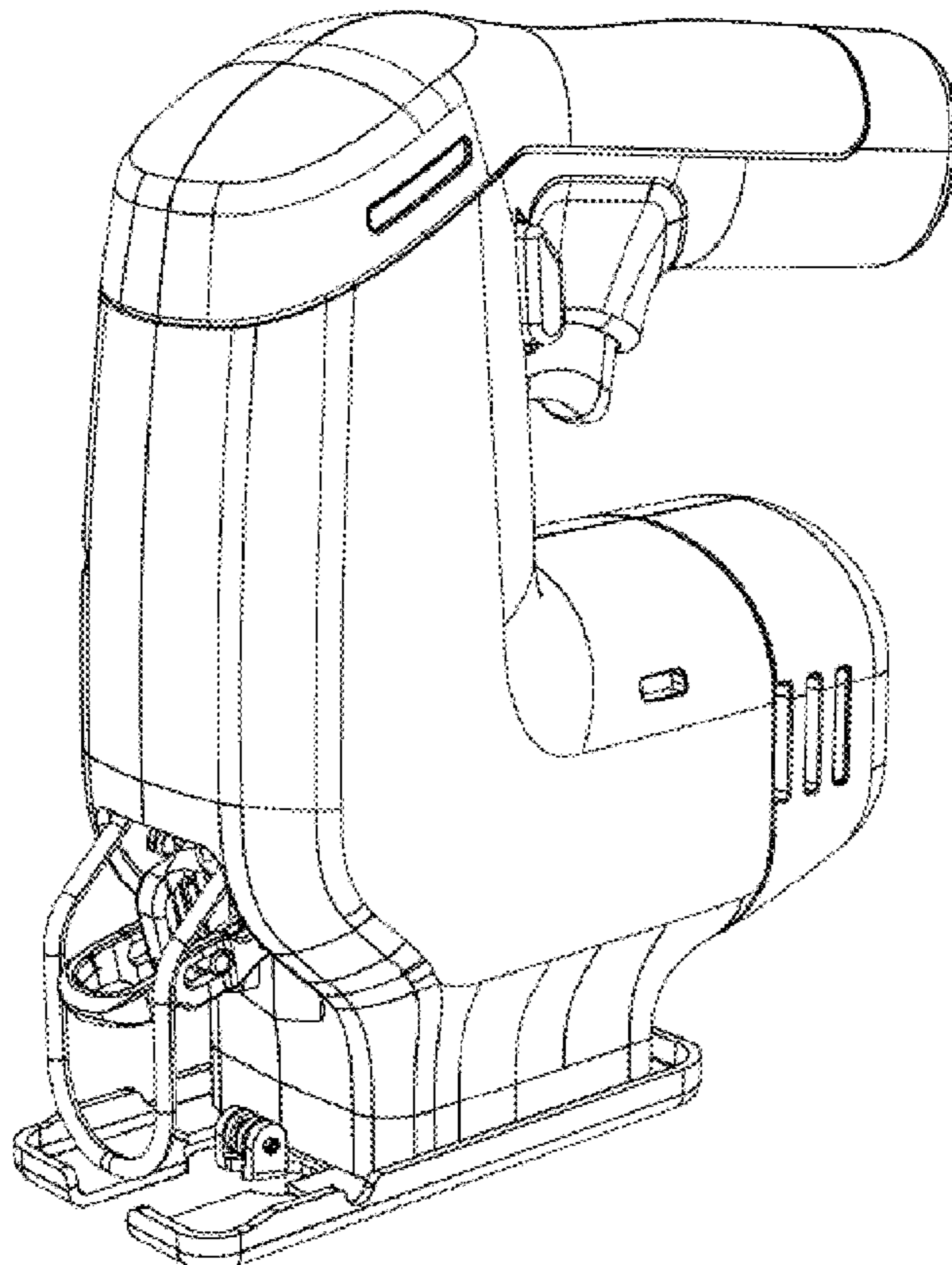
Primary Examiner — Austin Murphy
(74) *Attorney, Agent, or Firm* — Adan Ayala

(57) **CLAIM**
The ornamental design for a saw, as shown and described.

DESCRIPTION

FIG. 1 is a front perspective view of a saw according to the invention.
FIG. 2 is a front view of the saw of FIG. 1.
FIG. 3 is a rear view of the saw of FIG. 1.
FIG. 4 is a right side view of the saw of FIG. 1.
FIG. 5 is a left side view of the saw of FIG. 1.
FIG. 6 is a top plan view of the saw of FIG. 1; and,
FIG. 7 is a bottom plan view of the saw of FIG. 1.

1 Claim, 4 Drawing Sheets



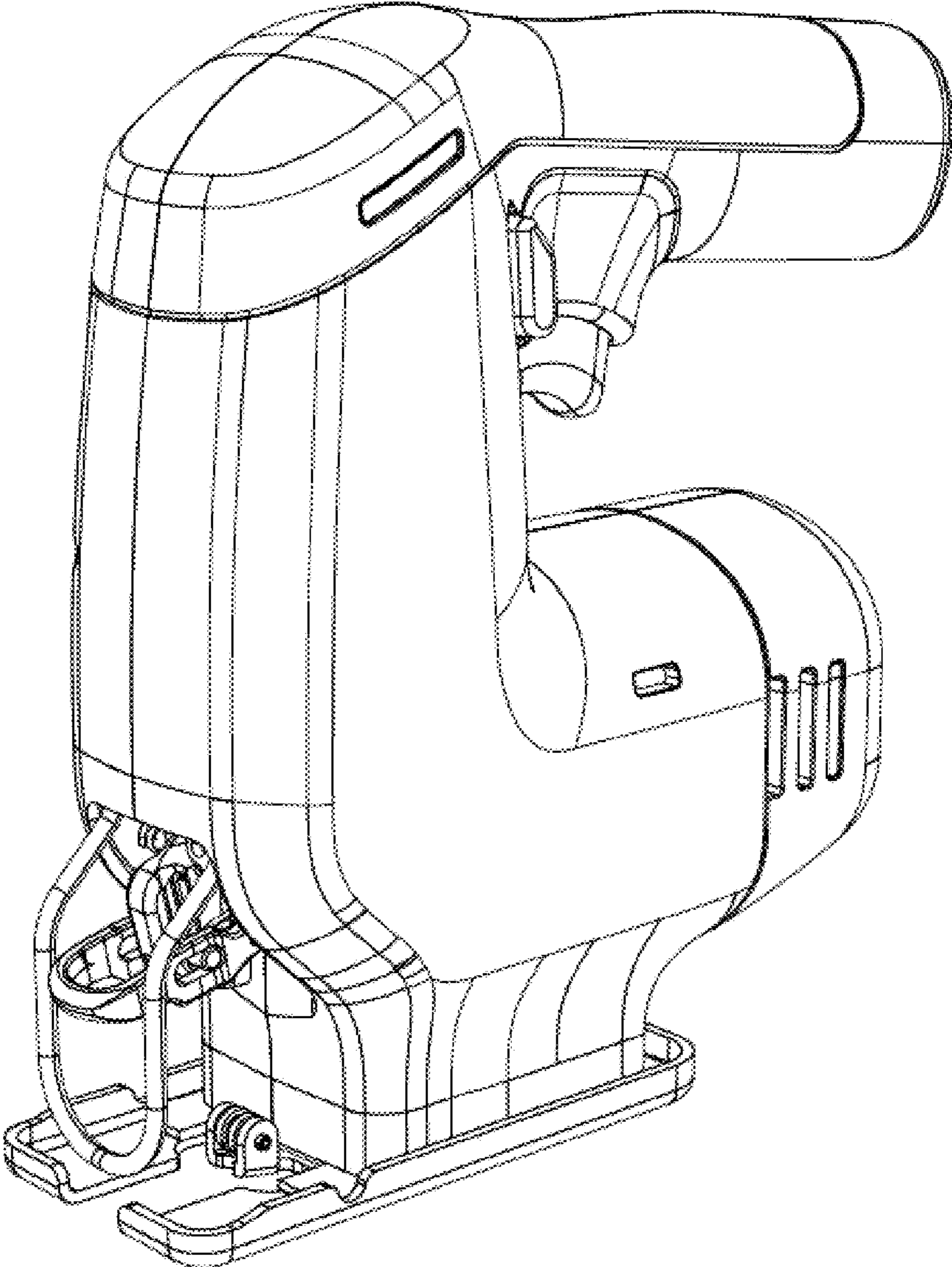


FIG. 1

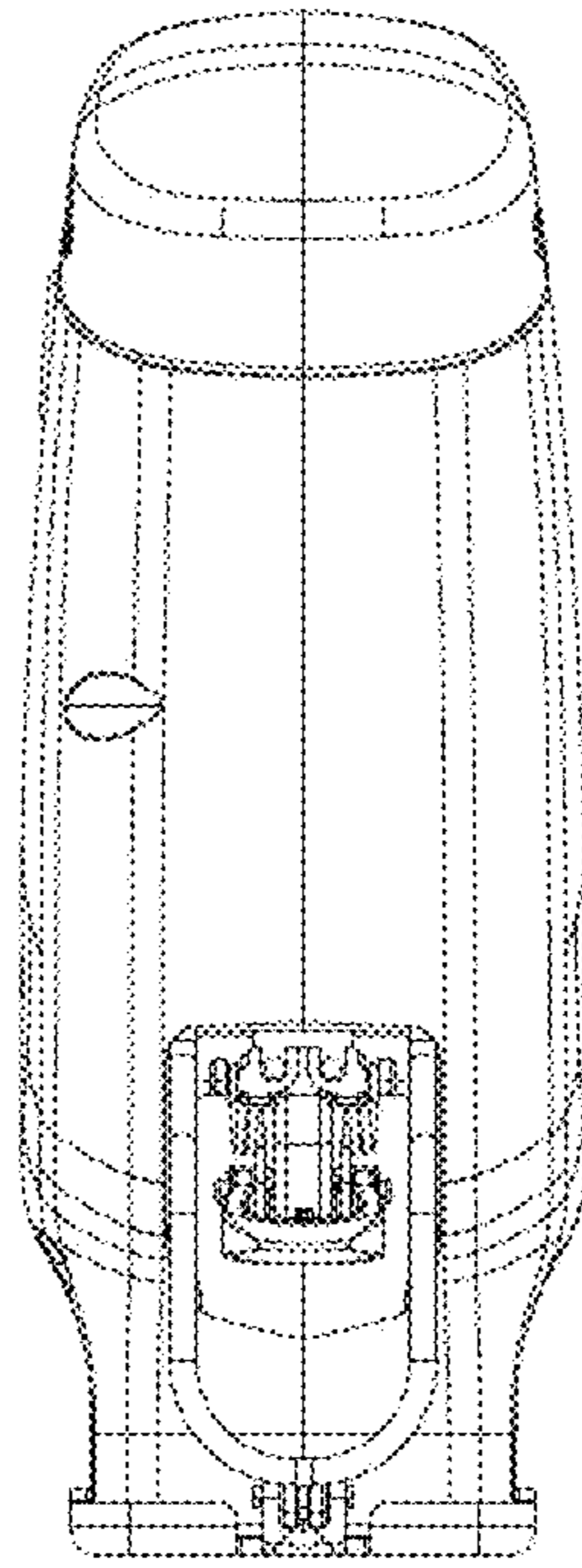


FIG. 2

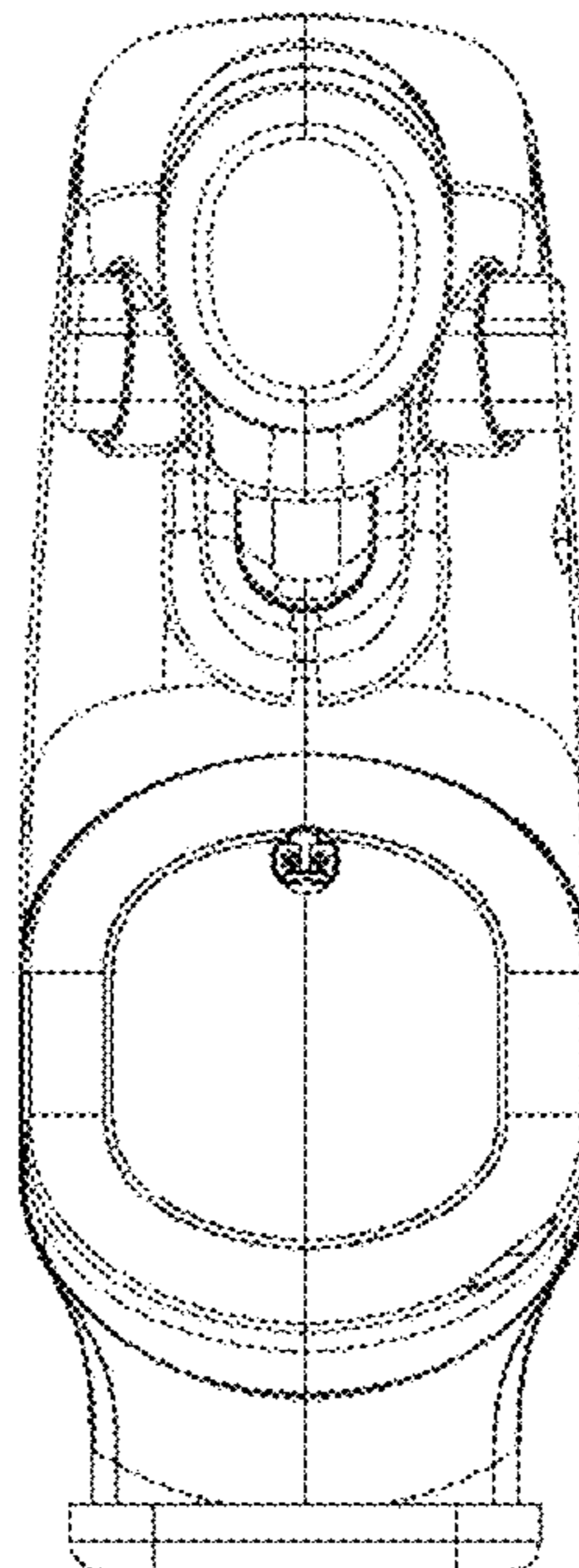


FIG. 3

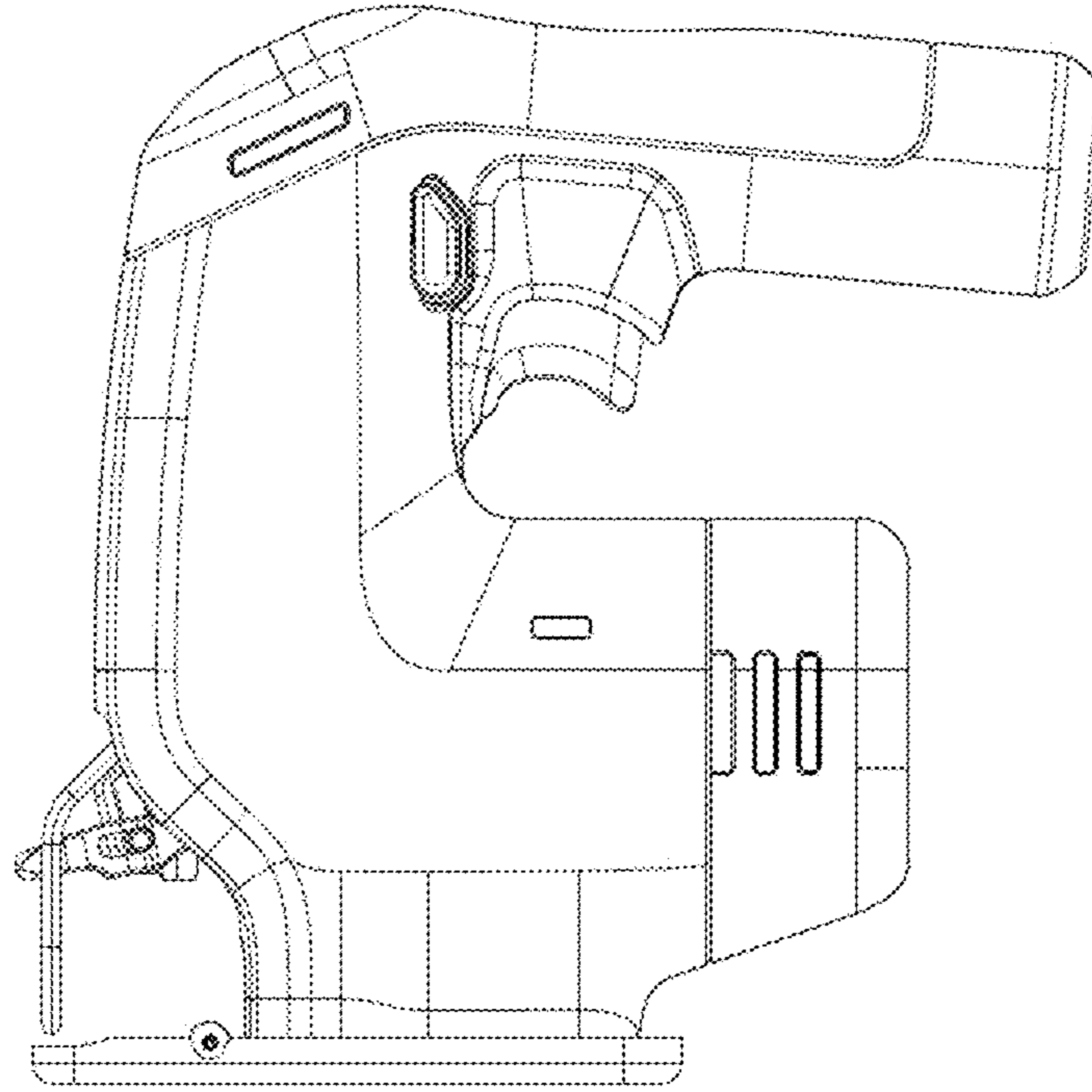


FIG. 4

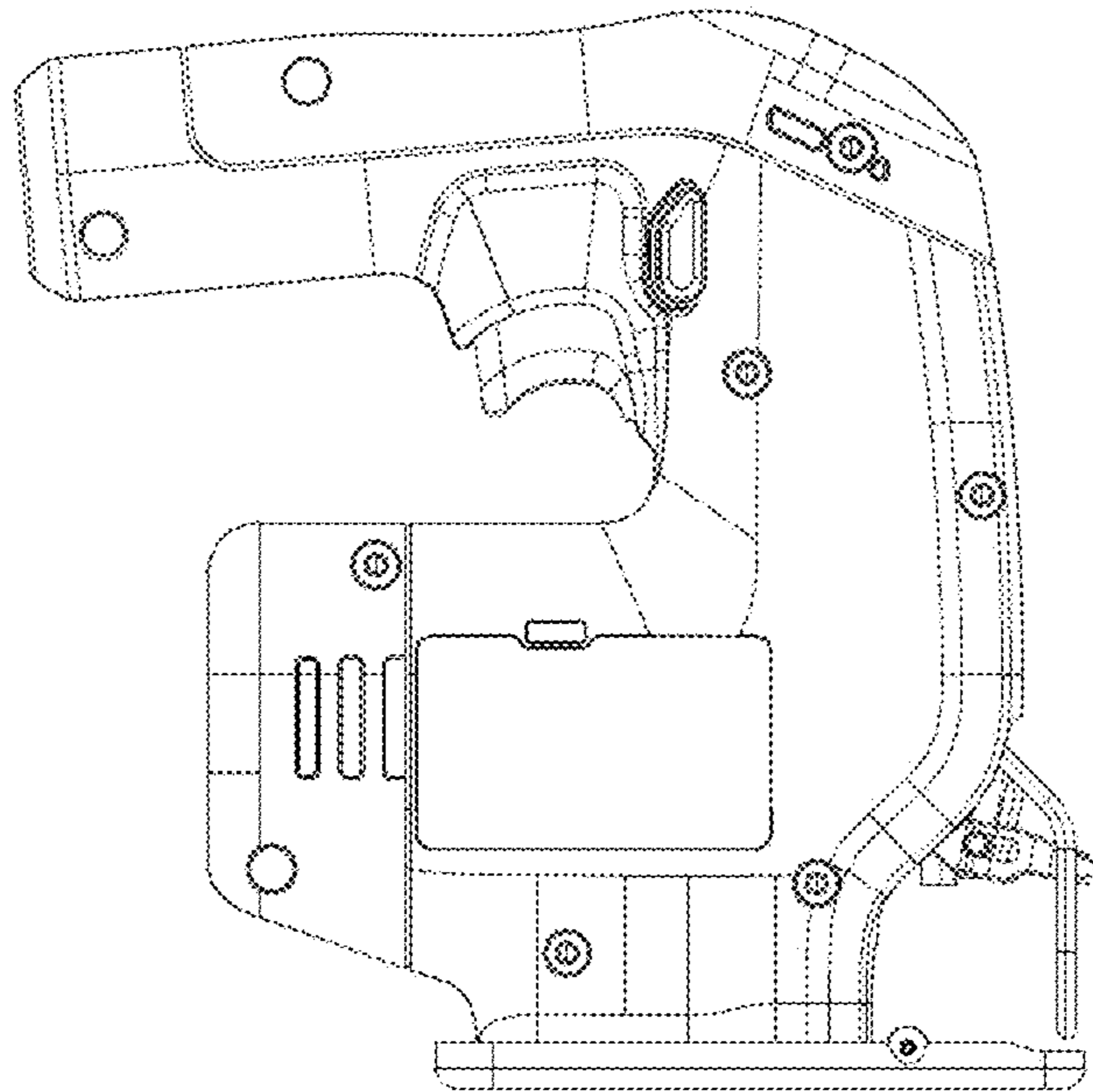


FIG. 5

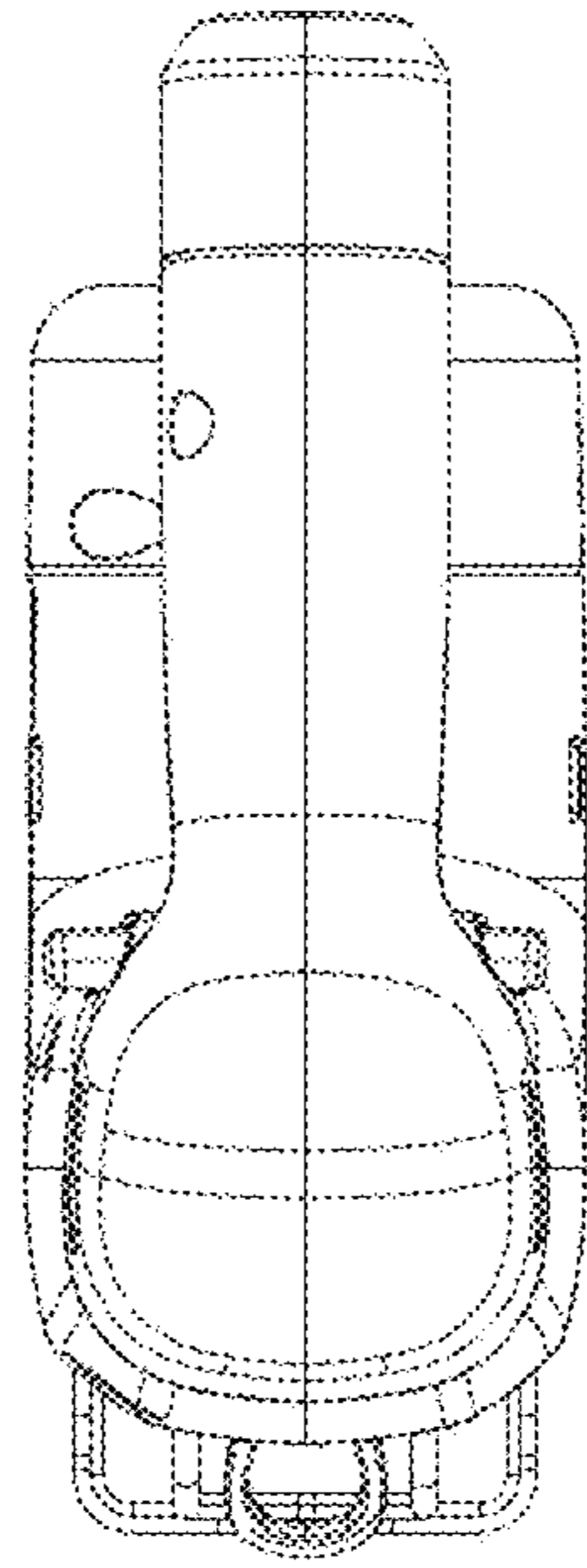


FIG. 6

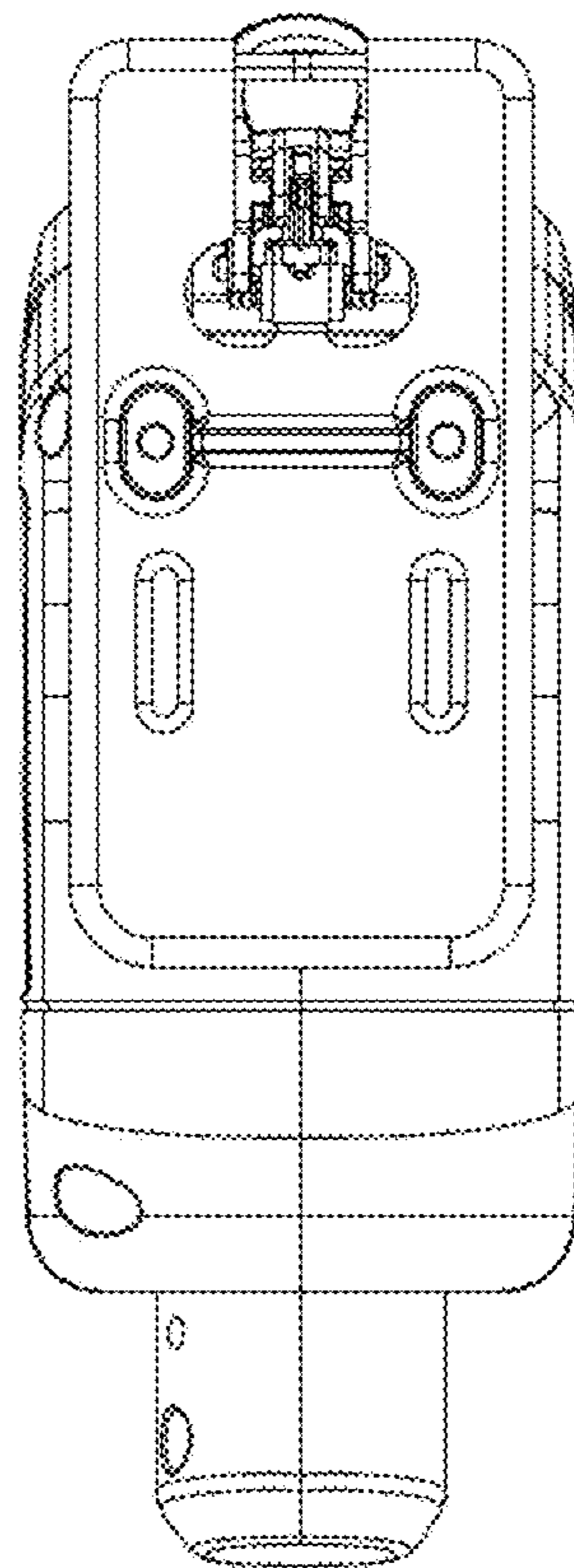


FIG. 7