



US00D989583S

(12) **United States Design Patent**
Griffin

(10) **Patent No.:** **US D989,583 S**

(45) **Date of Patent:** **** Jun. 20, 2023**

- (54) **PULLING TOOL**
- (71) Applicant: **Leon Griffin**, Mounth Pleasant, SC
(US)
- (72) Inventor: **Leon Griffin**, Mounth Pleasant, SC
(US)
- (**) Term: **15 Years**
- (21) Appl. No.: **29/779,176**
- (22) Filed: **Apr. 16, 2021**
- (51) **LOC (14) Cl.** **08-05**
- (52) **U.S. Cl.**
USPC **D8/51**
- (58) **Field of Classification Search**
USPC D8/14, 16-19, 21-27, 33, 34, 40, 51,
D8/82-84, 87, 105, 356; D3/210;
D24/133
CPC .. B25B 27/06; B25F 1/00; B25F 1/006; B25F
1/04; B25J 1/00; B25J 1/02; B25J 1/04;
A45B 9/04; A45B 3/00
See application file for complete search history.

5,727,418 A *	3/1998	Strozier	B21D 1/06 72/457
D428,389 S *	7/2000	Love	D13/133
6,315,340 B1 *	11/2001	Chen	E01H 1/12 294/100
7,430,891 B1 *	10/2008	Wang	B21D 1/06 72/457
8,516,873 B1 *	8/2013	Chan	B21D 1/06 72/457
8,651,458 B2 *	2/2014	Liao	B25B 11/007 254/133 R
D767,355 S *	9/2016	Scott	D8/51
9,441,622 B2 *	9/2016	Liao	F04B 37/14
9,669,442 B1 *	6/2017	Alvarez	B21D 1/06
9,908,161 B1 *	3/2018	Gamble	B23Q 17/00
D858,235 S *	9/2019	Smith	D8/51
D875,494 S *	2/2020	Widner	D8/51
D879,570 S *	3/2020	Lin	D8/51

(Continued)

Primary Examiner — David G Muller
Assistant Examiner — Christina Gabrielle Cosden
 (74) *Attorney, Agent, or Firm* — QuickPatents, LLC;
 Kevin Prince

(57) **CLAIM**

The ornamental design for a pulling tool, as shown and described.

DESCRIPTION

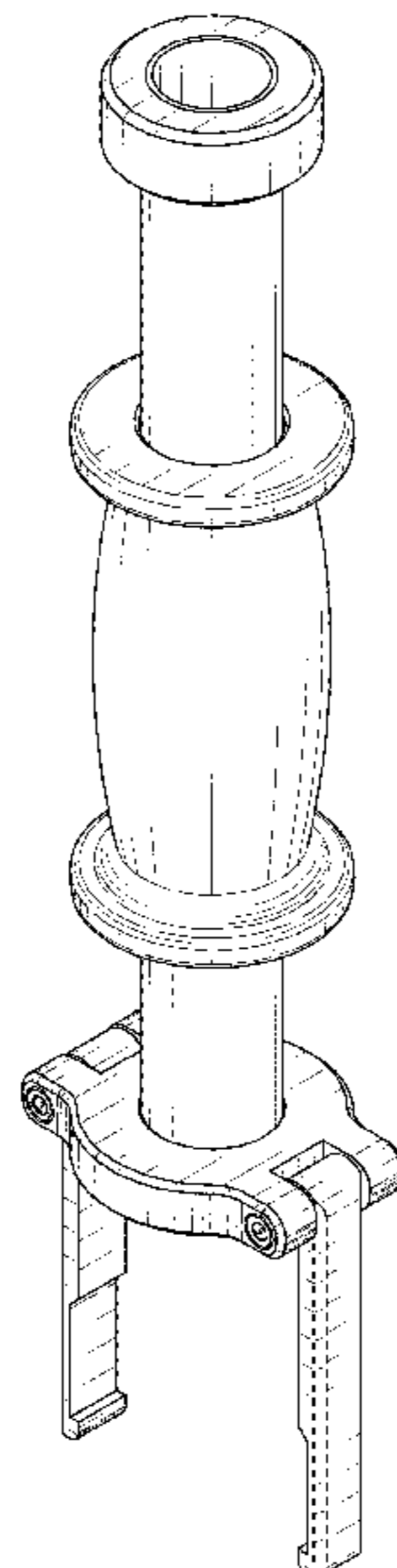
FIG. 1 is a top perspective view of a pulling tool, showing my new design;
 FIG. 2 is a bottom perspective view thereof;
 FIG. 3 is a top plan view thereof;
 FIG. 4 is a bottom plan view thereof;
 FIG. 5 is a right-side elevational view thereof, the left-side elevational view being a mirror image thereof;
 FIG. 6 is a front elevational view thereof; and,
 FIG. 7 is a rear elevational view thereof.
 The broken lines in FIGS. 6 and 7 represent portions of the pulling tool that form no part of the claimed design.

1 Claim, 5 Drawing Sheets

(56) **References Cited**

U.S. PATENT DOCUMENTS

1,578,800 A *	3/1926	Brandenberger	E21B 31/18 294/86.28
2,934,984 A *	5/1960	Woodman	B21D 1/06 81/463
3,483,727 A *	12/1969	Giannetto	B21D 1/06 173/202
3,529,497 A *	9/1970	Brooks	B25B 27/04 81/53.2
4,122,699 A *	10/1978	Logsdon	B21D 1/06 72/705
D336,599 S *	6/1993	Rubino	D8/51
D363,199 S *	10/1995	Domagala	D8/51
5,479,688 A *	1/1996	Rubino	B25B 27/023 29/259



(56)

References Cited

U.S. PATENT DOCUMENTS

11,338,419 B1 * 5/2022 Roston B25B 27/24
D982,403 S * 4/2023 Nagaki D8/51
2017/0216899 A1 * 8/2017 Zimmerman B21D 1/06
2018/0065238 A1 * 3/2018 Griffin B25B 27/06

* cited by examiner

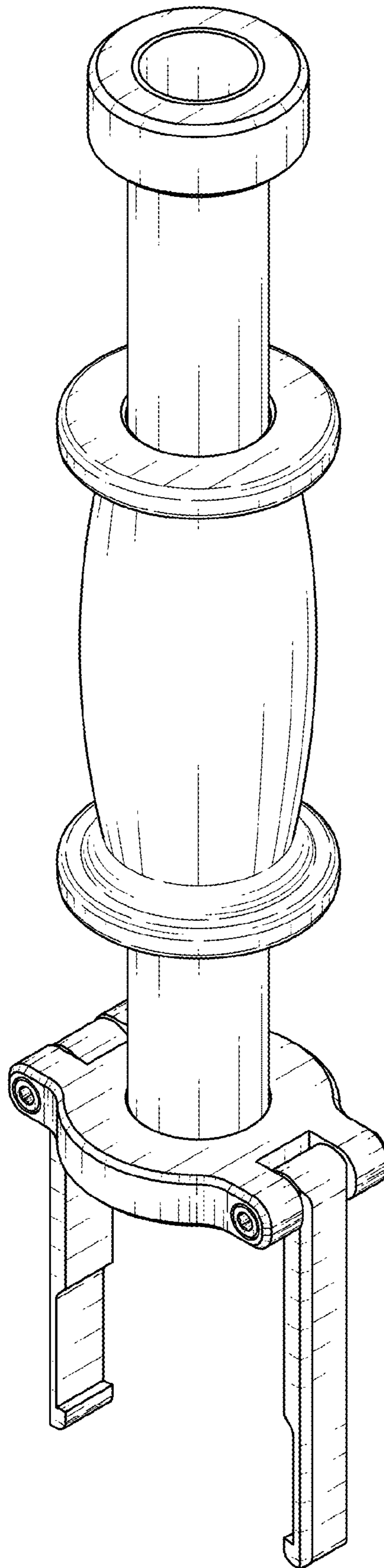


FIG. 1

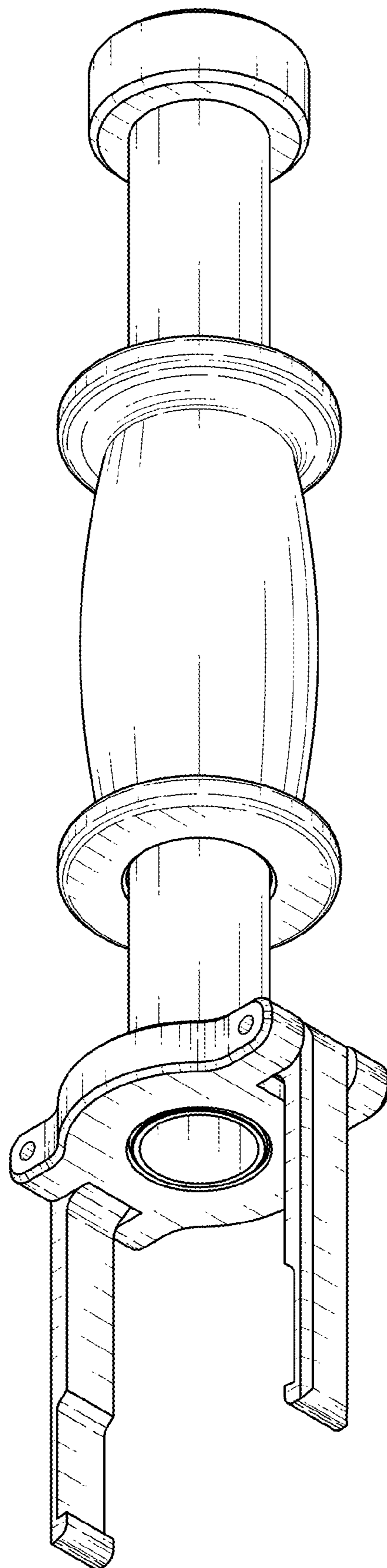


FIG. 2

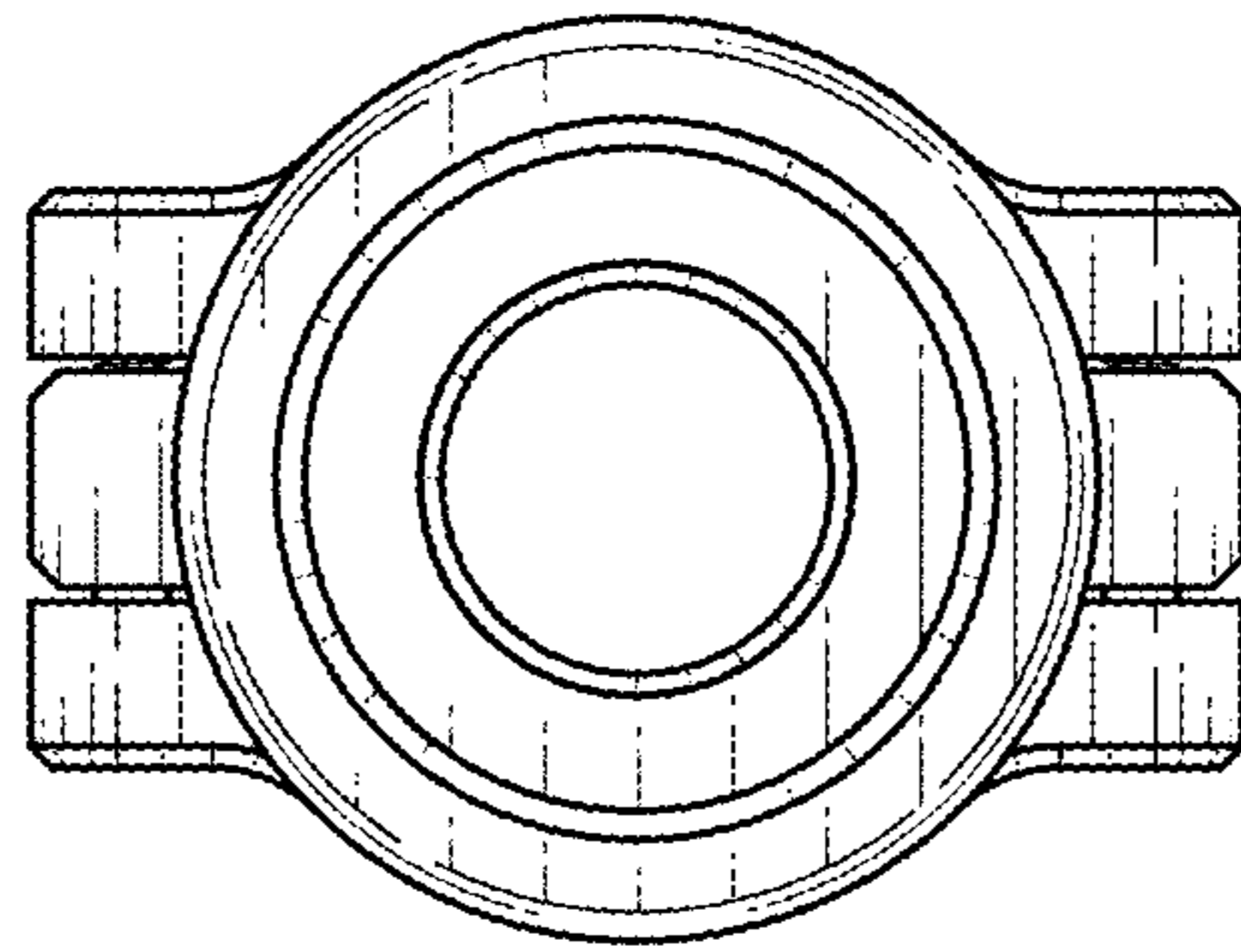


FIG. 3

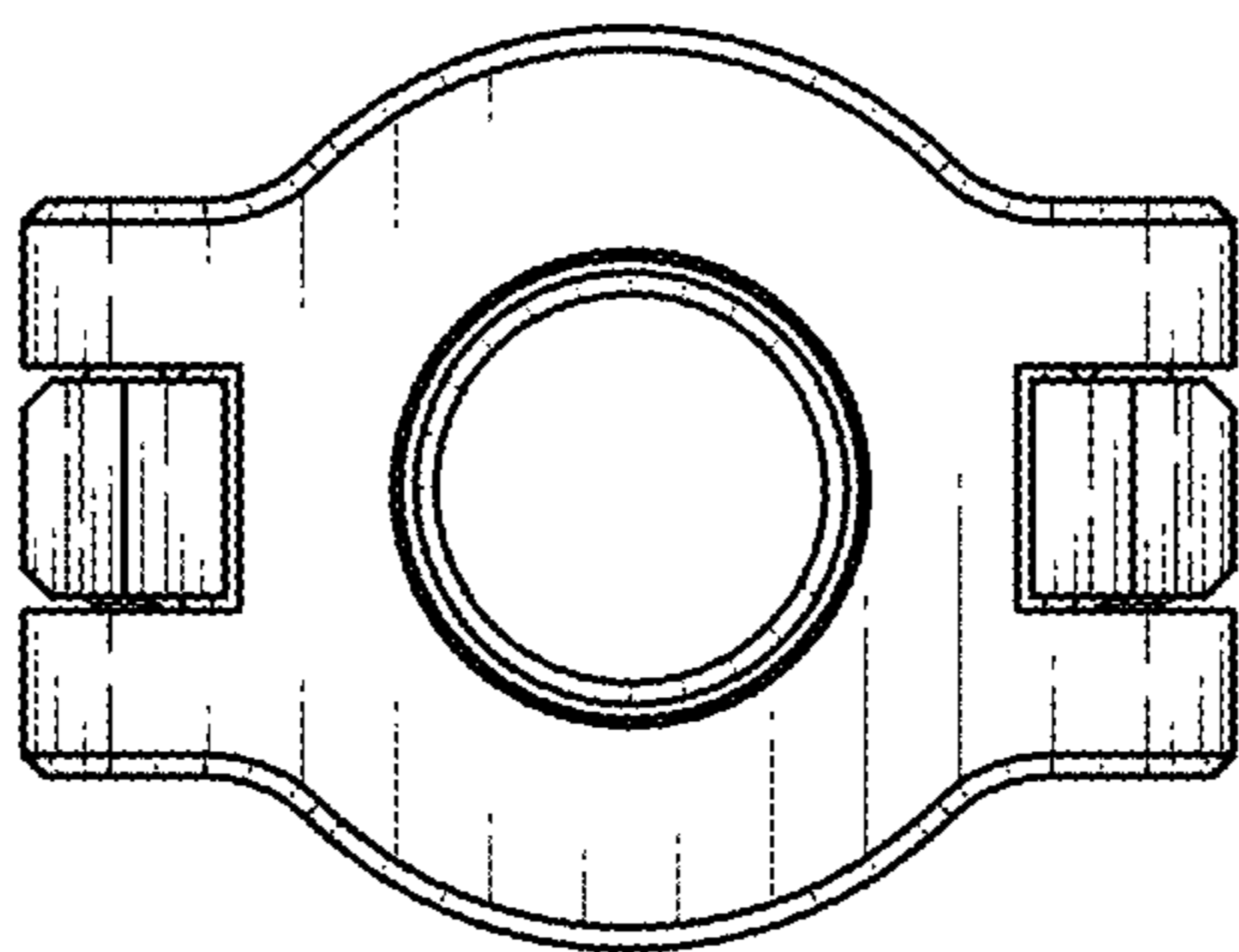


FIG. 4

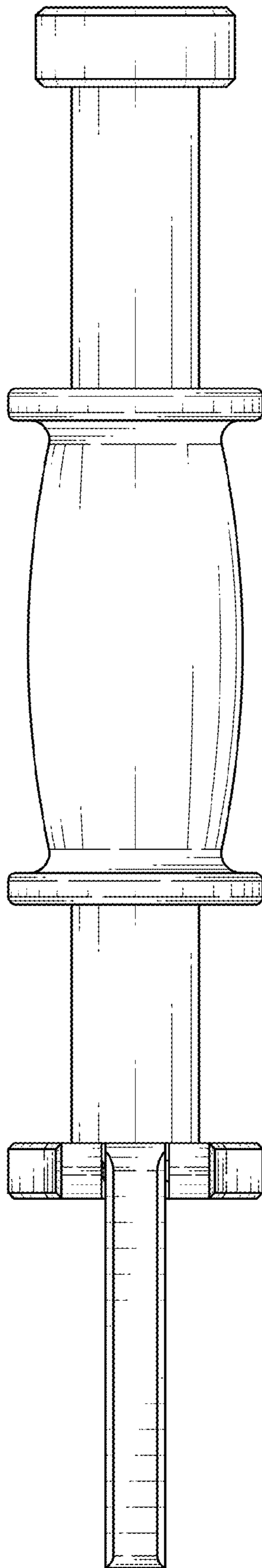


FIG. 5

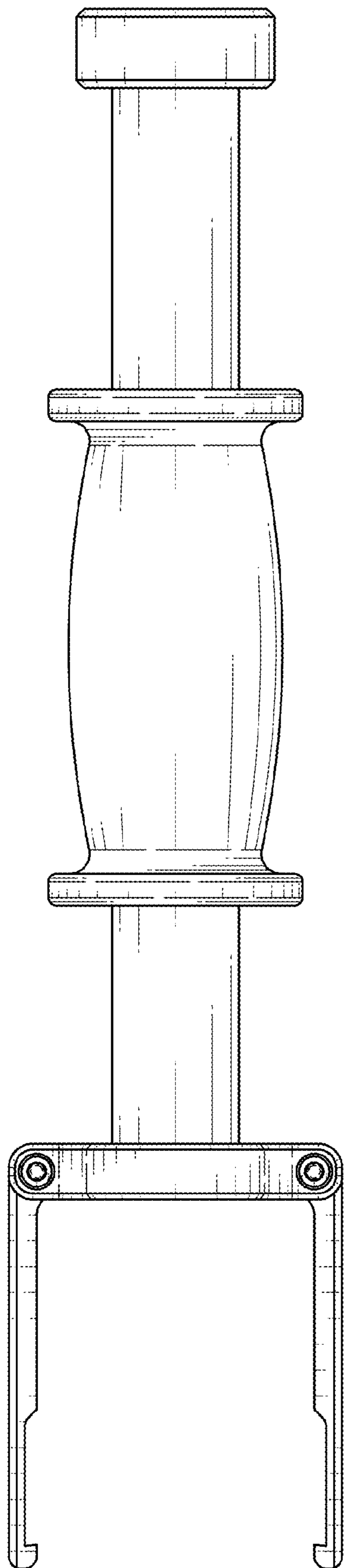


FIG. 6

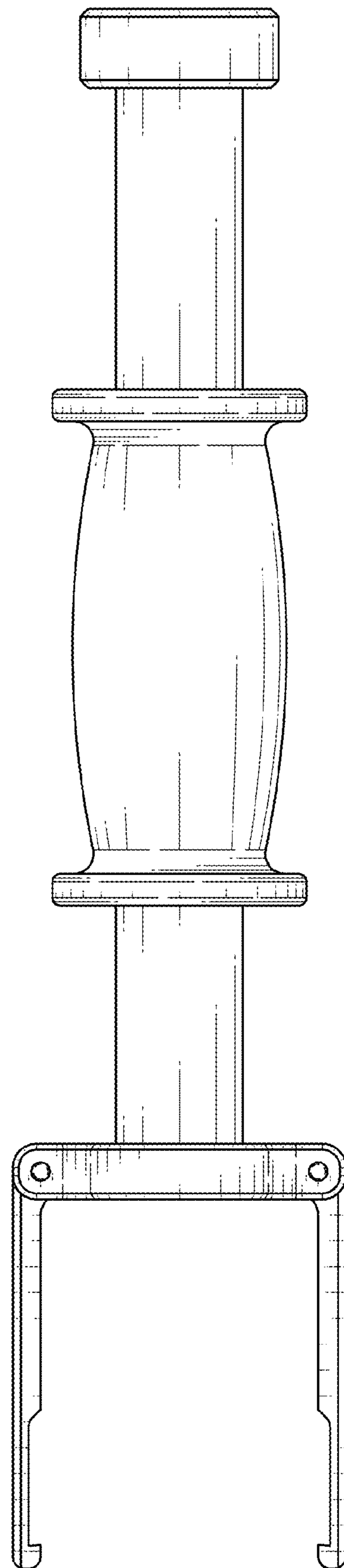


FIG. 7