



US00D989582S

(12) **United States Design Patent**  
**Morrow**

(10) **Patent No.:** **US D989,582 S**  
(45) **Date of Patent:** **\*\* Jun. 20, 2023**

(54) **TILE POSITIONING DEVICE**  
(71) Applicant: **ADHESIVE CONSTRUCTION TECHNOLOGY AUSTRALIA PTY LTD, Brisbane (AU)**  
(72) Inventor: **Colin Morrow, Red Hill (AU)**  
(73) Assignee: **ADHESIVE CONSTRUCTION TECHNOLOGY AUSTRALIA PTY LTD, Queensland (AU)**

9,470,003 B1 10/2016 Moon  
9,970,203 B1 \* 5/2018 Abidov ..... E04F 21/1877  
D820,059 S \* 6/2018 Biec ..... E04F 21/22  
D821,838 S \* 7/2018 Castellanos ..... E04F 21/1877  
D8/47  
10,465,394 B2 11/2019 Sighinolfi  
10,501,947 B2 \* 12/2019 Bunch ..... E04F 21/22  
10,597,880 B2 3/2020 Torrents Comas  
D885,862 S \* 6/2020 Bacia ..... E04F 21/1877  
D8/47  
D899,900 S \* 10/2020 Blanco ..... E04F 21/0092  
D8/47  
10,895,081 B2 \* 1/2021 Mendiluzza ..... E04F 21/0092  
10,934,724 B2 \* 3/2021 Gorton ..... E04F 21/1877  
10,947,740 B2 \* 3/2021 Sighinolfi ..... E04F 15/02022  
2008/0236094 A1 10/2008 Doda  
2013/0055675 A1 3/2013 Sighinolfi

(\*\*) Term: **15 Years**  
(21) Appl. No.: **29/798,458**  
(22) Filed: **Jul. 8, 2021**

**Related U.S. Application Data**

(63) Continuation of application No. 16/548,965, filed on Aug. 23, 2019, now abandoned.  
(51) **LOC (14) Cl.** ..... **08-05**  
(52) **U.S. Cl.**  
USPC ..... **D8/47**  
(58) **Field of Classification Search**  
USPC ..... D8/14, 47, 71, 354  
CPC . E04F 21/00; E04F 21/18; E04F 21/22; E04F 21/1877; E04F 21/20; E04F 13/0892; E04F 21/1844; E21F 21/0092  
See application file for complete search history.

**References Cited**

**U.S. PATENT DOCUMENTS**

7,992,354 B2 8/2011 Doda  
8,429,878 B1 4/2013 Hoffman  
8,671,628 B2 3/2014 Sighinolfi  
8,800,246 B2 8/2014 Gorton  
8,887,475 B2 11/2014 Ghelfi  
D760,566 S \* 7/2016 Biec ..... E04F 21/22  
D8/47

*Primary Examiner* — Philip S Hyder  
(74) *Attorney, Agent, or Firm* — Heslin Rothenberg Farley & Mesiti PC; Kristian E. Ziegler, Esq.

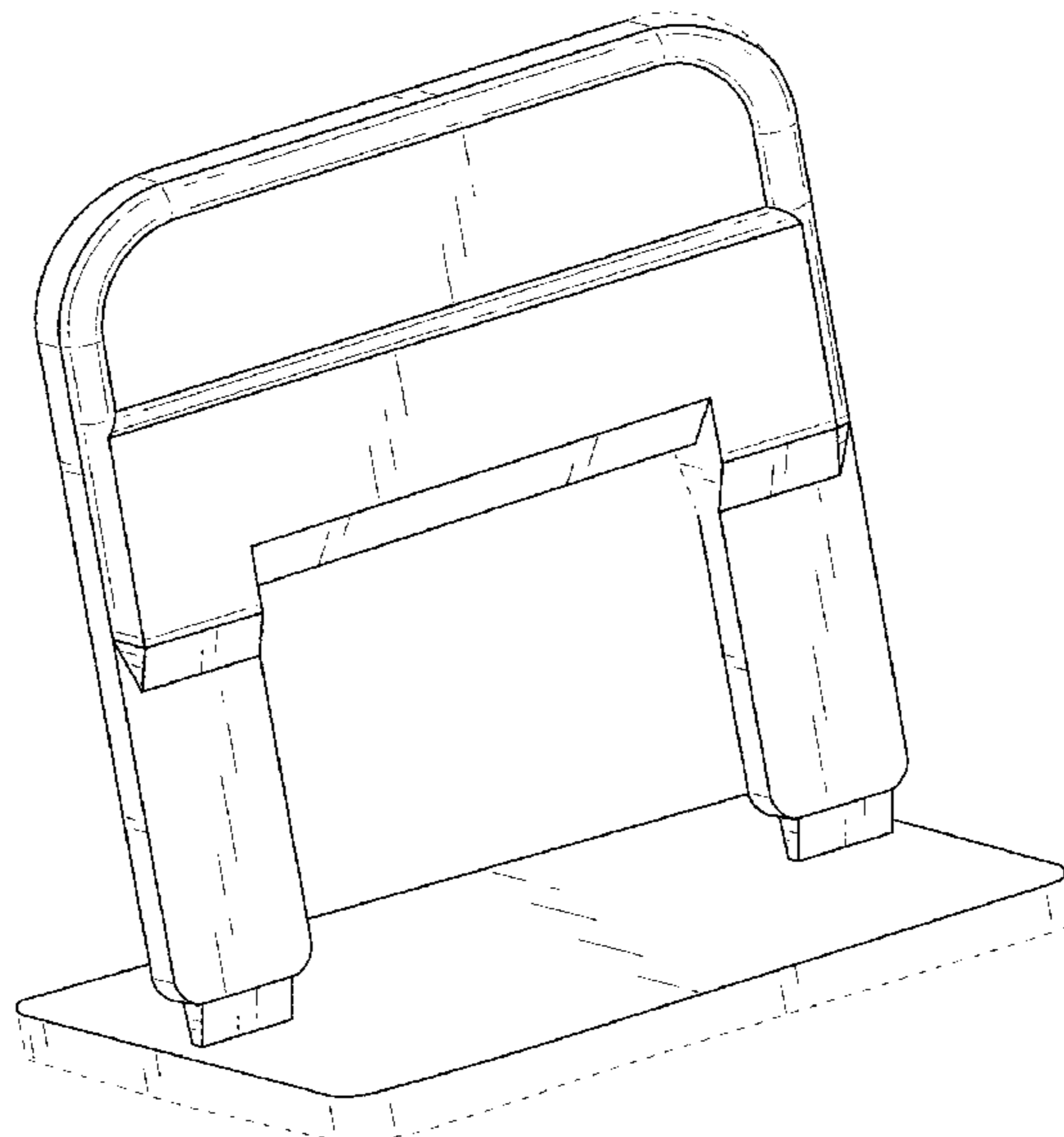
(57) **CLAIM**

I claim the ornamental design for a tile positioning device, as shown and described.

**DESCRIPTION**

FIG. 1 is an elevational front perspective view of the tile positioning device in accordance with my new design;  
FIG. 2 is a front view thereof;  
FIG. 3 is a cross-sectional view thereof as indicated in FIG. 2;  
FIG. 4 is a back view thereof;  
FIG. 5 is a left side view thereof;  
FIG. 6 is a right side view thereof;  
FIG. 7 is a top view thereof; and,  
FIG. 8 is a bottom side view thereof.  
The broken lines in the figures represent environmental structure and form no part of the claimed design.

**1 Claim, 7 Drawing Sheets**



(56)

**References Cited**

## U.S. PATENT DOCUMENTS

2014/0033640 A1 2/2014 Gorton  
2014/0116001 A1 5/2014 Ghelfi  
2015/0240504 A1 8/2015 Hoffman  
2015/0308130 A1\* 10/2015 Biec ..... E04F 21/0092  
52/749.11  
2016/0090746 A1\* 3/2016 Sighinolfi ..... E04F 21/0092  
33/526  
2016/0186449 A1\* 6/2016 Lee ..... E04F 21/1877  
33/527  
2016/0222679 A1\* 8/2016 Bunch ..... E04F 21/20  
2018/0291640 A1\* 10/2018 Sighinolfi ..... E04F 21/0092  
2019/0169863 A1\* 6/2019 Torrents Comas . E04F 21/1877  
2019/0383027 A1\* 12/2019 Sighinolfi ..... E04F 21/22  
2020/0056381 A1\* 2/2020 Castellanos ..... E04F 21/22  
2020/0063448 A1\* 2/2020 Morrow ..... E04F 21/1877  
2020/0149295 A1\* 5/2020 Mendiluzza ..... E04F 21/1877  
2020/0173181 A1 6/2020 Gorton  
2020/0318364 A1\* 10/2020 Giannunzio ..... E04F 21/22  
2020/0318366 A1\* 10/2020 Sighinolfi ..... E04F 21/22  
2020/0347617 A1\* 11/2020 Troxell ..... E04F 21/0092  
2021/0062522 A1\* 3/2021 Castellanos ..... E04F 21/0092  
2021/0131124 A1\* 5/2021 Bunch ..... E04F 21/0092  
2021/0180339 A1\* 6/2021 Prestes de Andrade .....  
E04F 21/00  
2021/0363764 A1\* 11/2021 Sighinolfi ..... E04F 21/1844  
2022/0025662 A1\* 1/2022 Sighinolfi ..... E04F 21/0092

\* cited by examiner

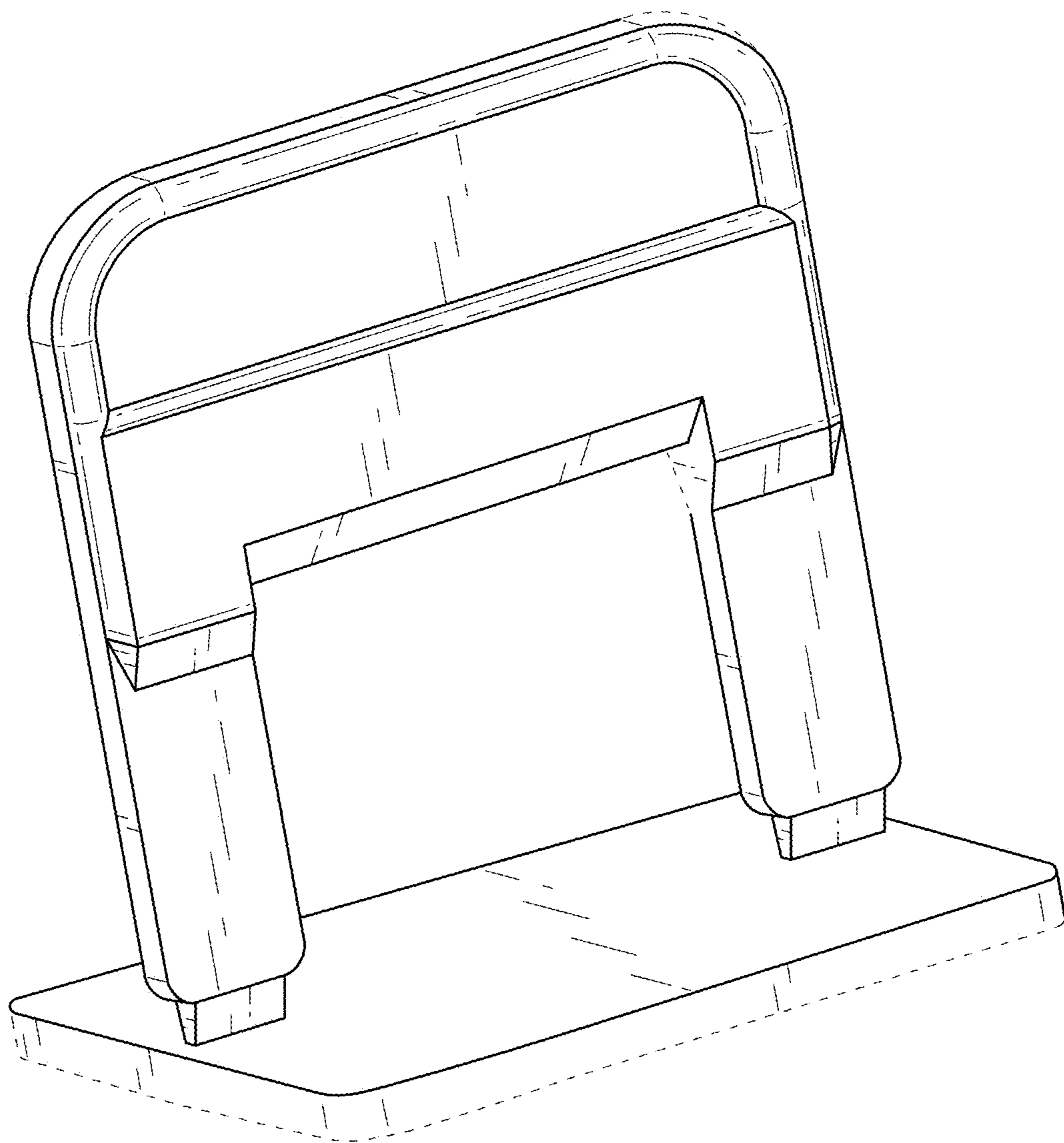


FIG. 1

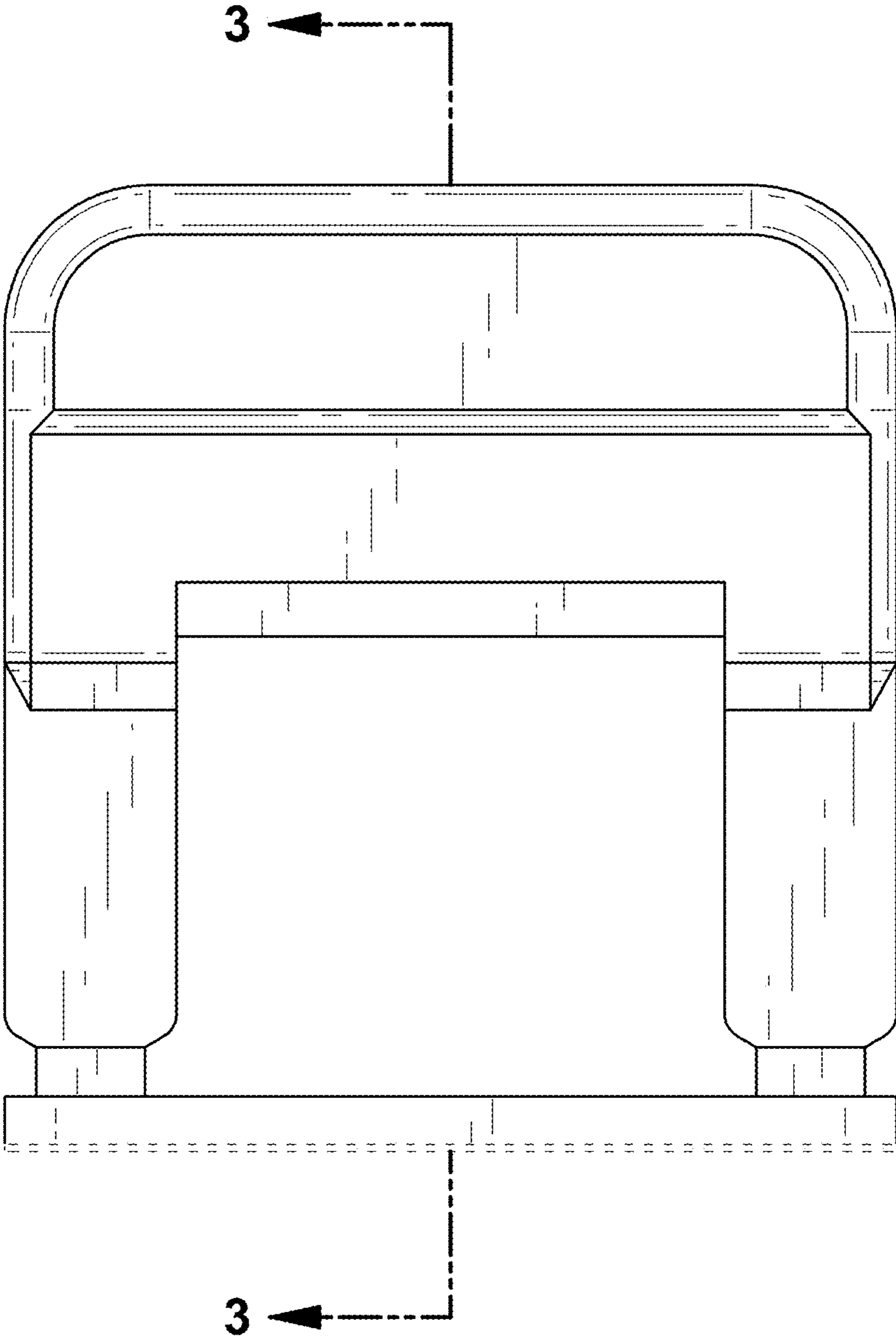


FIG. 2

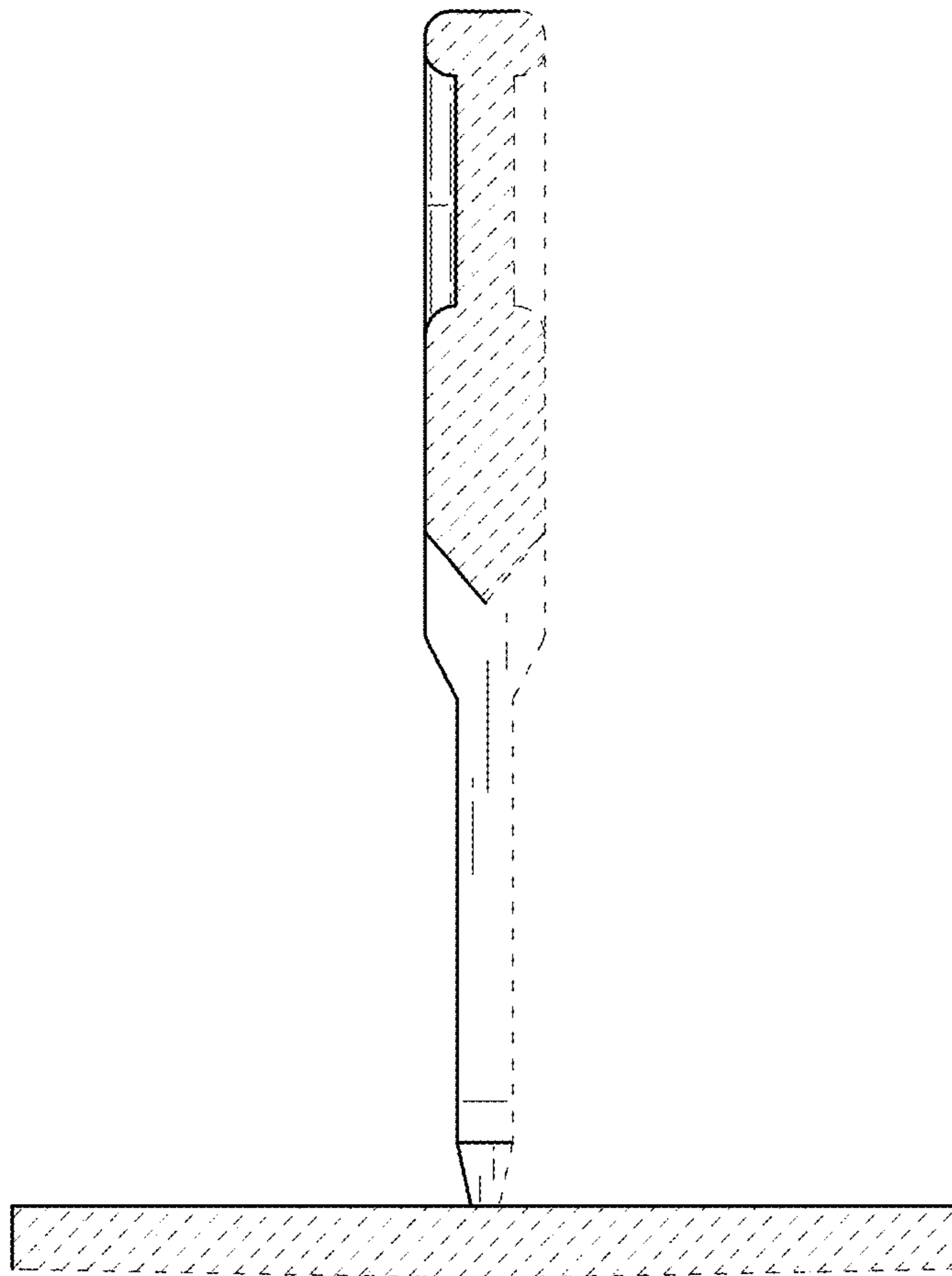


FIG. 3

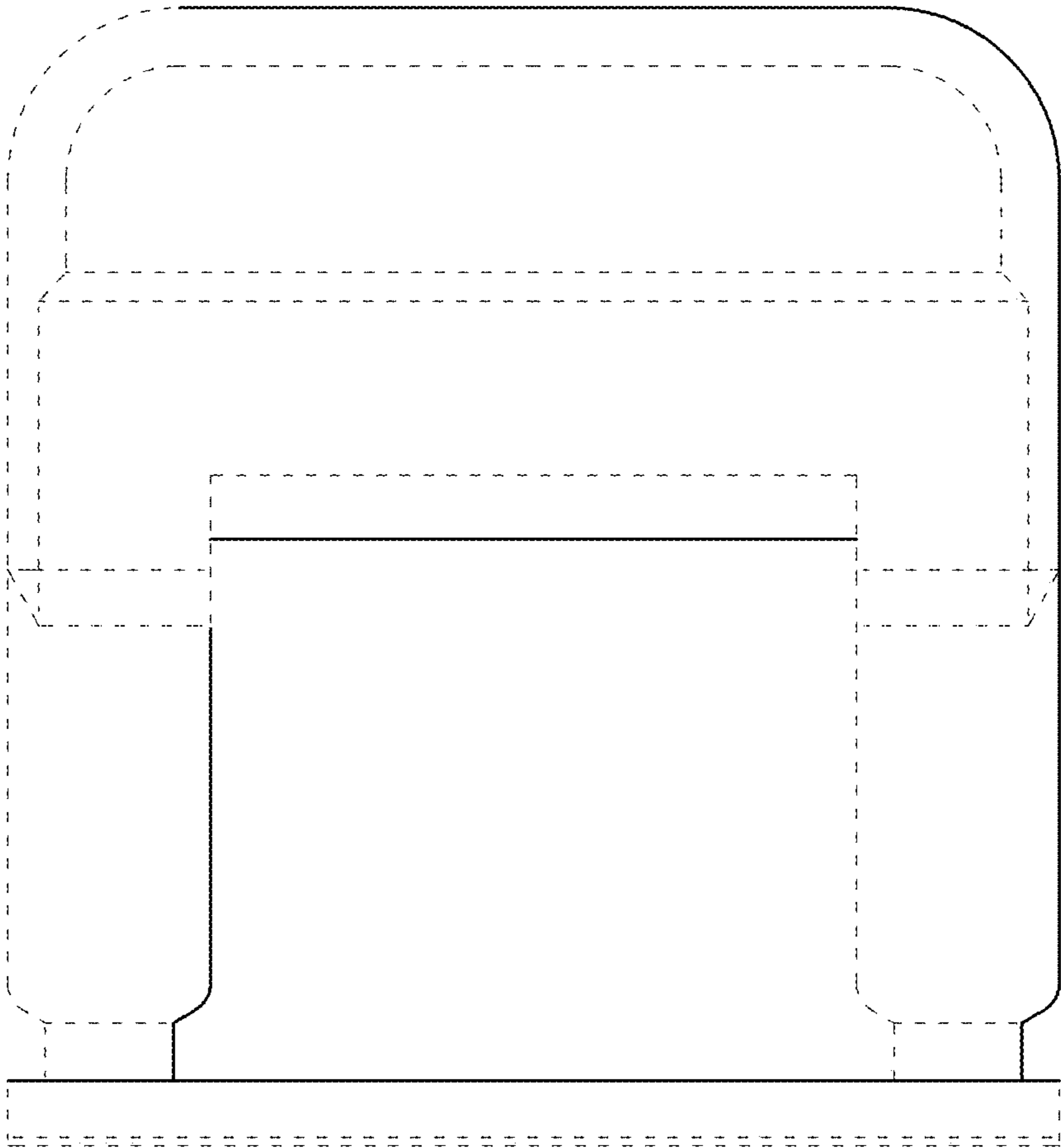


FIG. 4

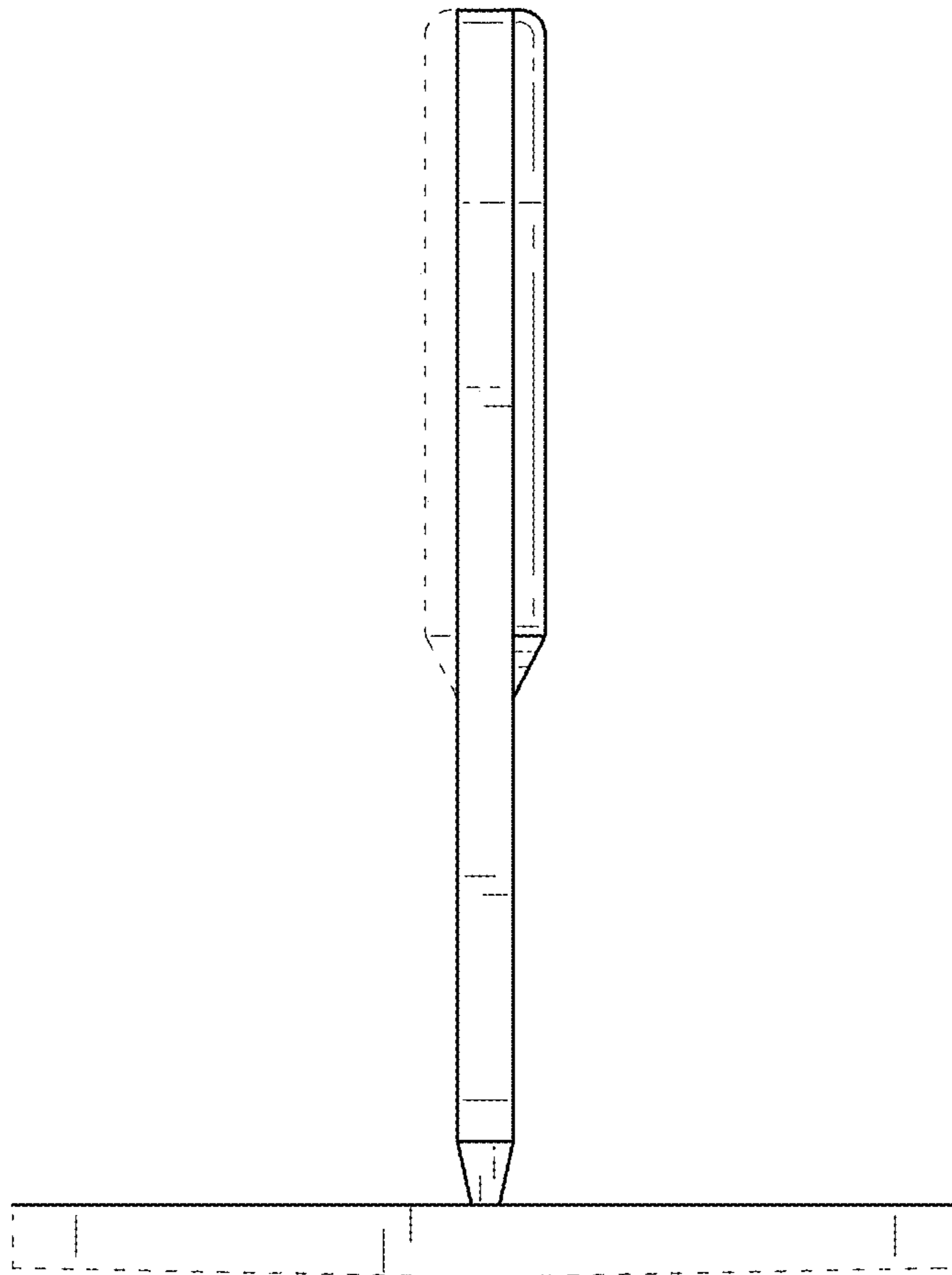


FIG. 5

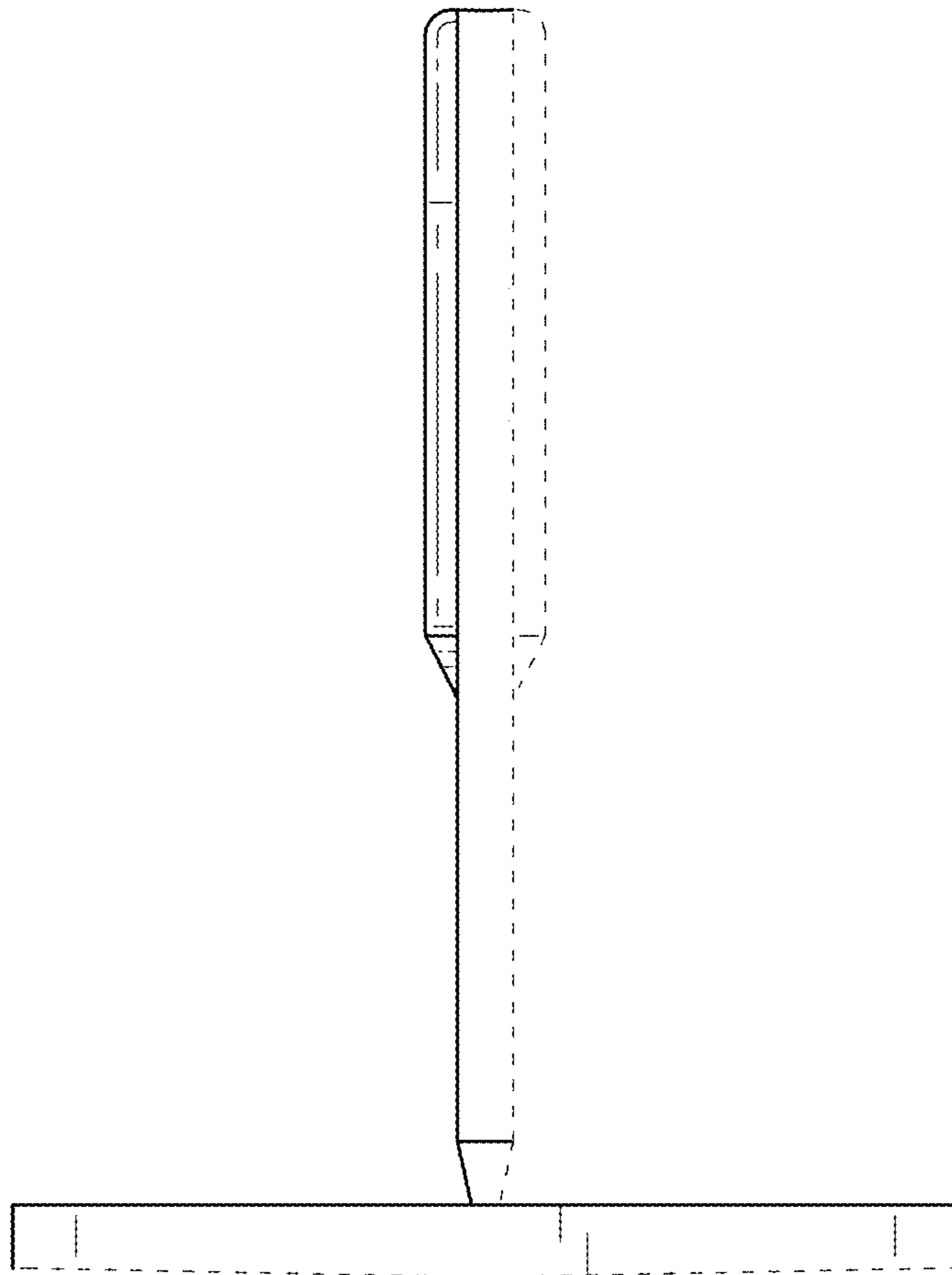


FIG. 6



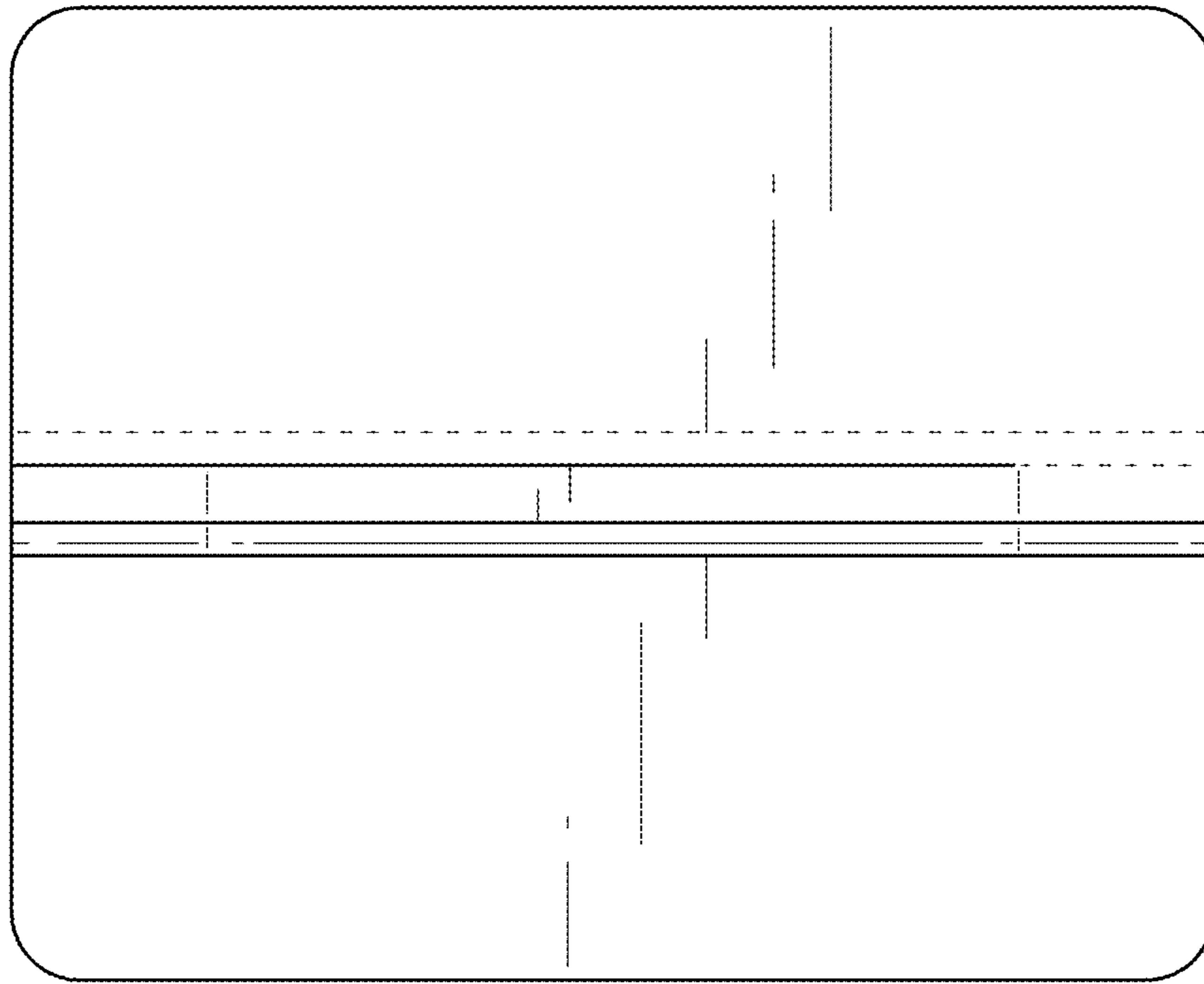


FIG. 7

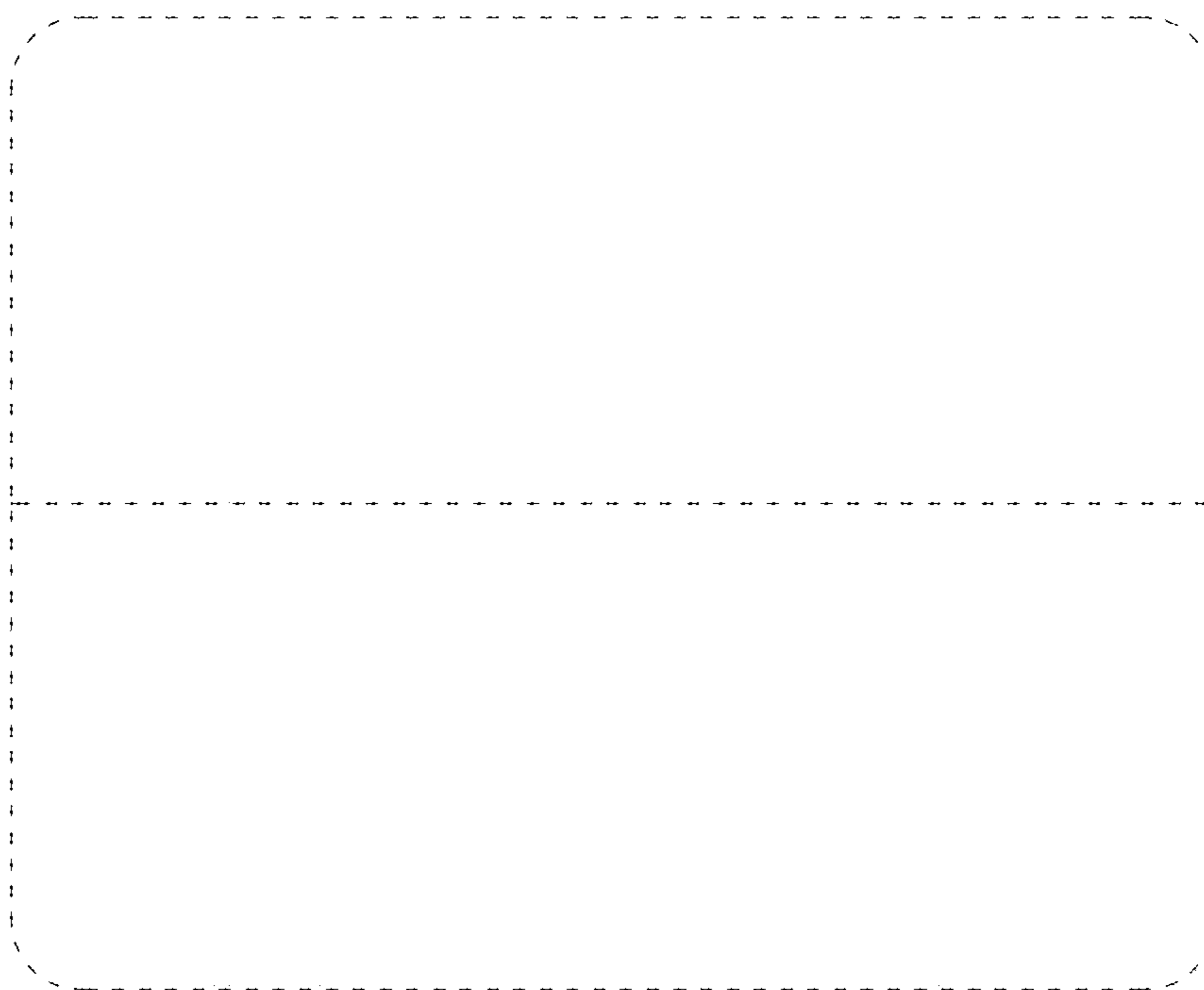


FIG. 8