



US00D989581S

(12) **United States Design Patent**
Mao

(10) **Patent No.:** **US D989,581 S**

(45) **Date of Patent:** **** Jun. 20, 2023**

(54) **COMBINED GLUE GUN AND BASE**

(71) Applicant: **Chuanlin Mao**, Wuhan (CN)

(72) Inventor: **Chuanlin Mao**, Wuhan (CN)

(**) Term: **15 Years**

(21) Appl. No.: **29/801,495**

(22) Filed: **Jul. 29, 2021**

(51) **LOC (14) Cl.** **08-05**

(52) **U.S. Cl.**
USPC **D8/30**

(58) **Field of Classification Search**
USPC D8/14.1, 29.1, 29.2, 30, 51, 68
CPC B05C 17/0053; B05C 17/00546; B05C
17/00526; B05C 17/01
See application file for complete search history.

(56) **References Cited**

U.S. PATENT DOCUMENTS

D290,221 S *	6/1987	Wilson	D8/71
4,692,587 A *	9/1987	Spirk, Jr.	B05C 17/00523 222/173
4,826,049 A *	5/1989	Speer	B05C 17/00523 200/51.09
D303,612 S *	9/1989	Knispel	D8/30
D307,105 S *	4/1990	Nusse	D8/14.1
D308,932 S *	7/1990	Straub	D8/14.1
D315,283 S *	3/1991	De Carolis	219/242
D404,622 S *	1/1999	Singleton	D8/29.1
D413,502 S *	9/1999	Chang	B05C 17/00546 D8/71
6,105,824 A *	8/2000	Singleton	B05C 17/00546 219/229

(Continued)

Primary Examiner — Philip S Hyder

(74) *Attorney, Agent, or Firm* — True Shepherd, LLC;
Andrew Cheng

(57) **CLAIM**

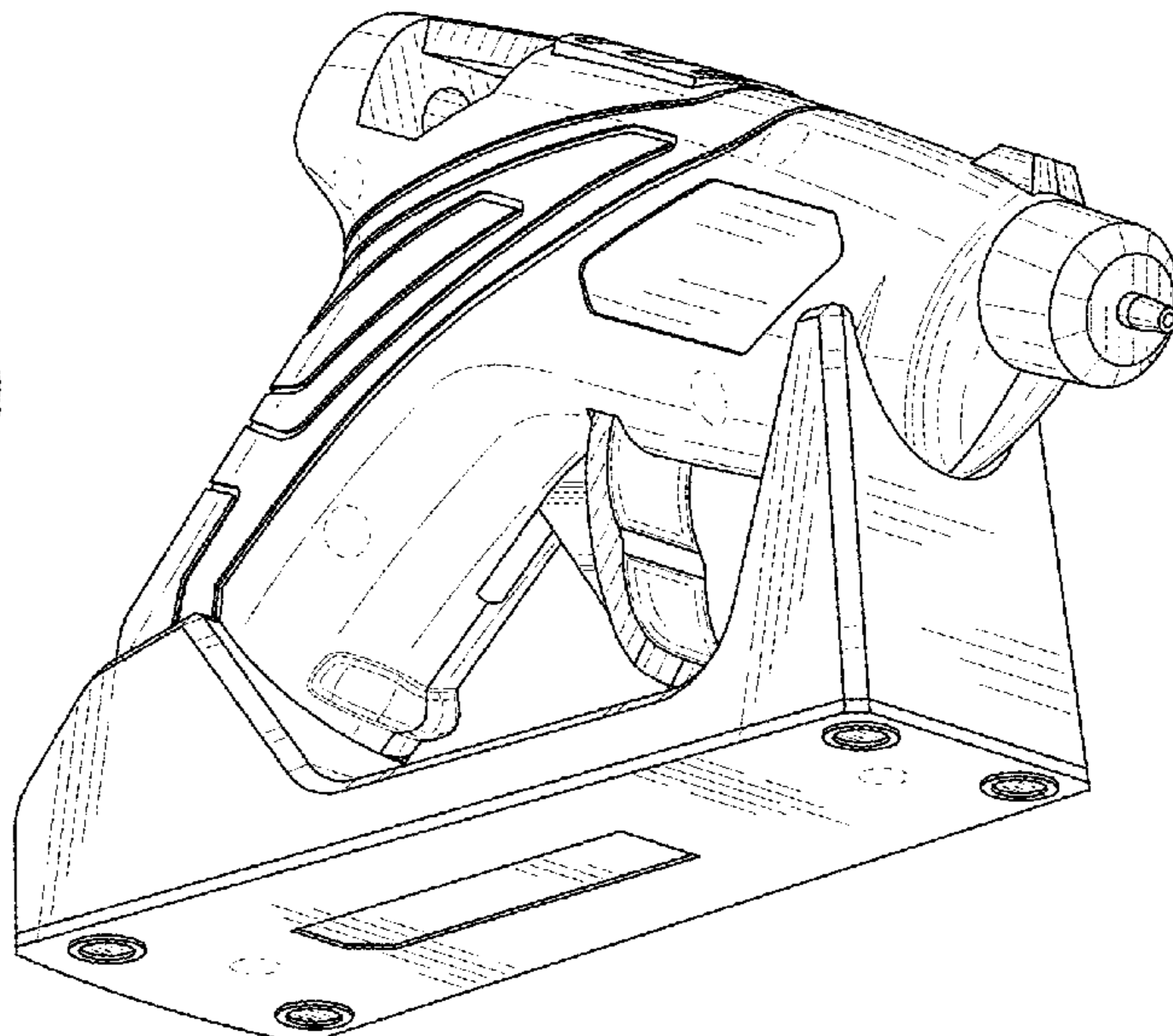
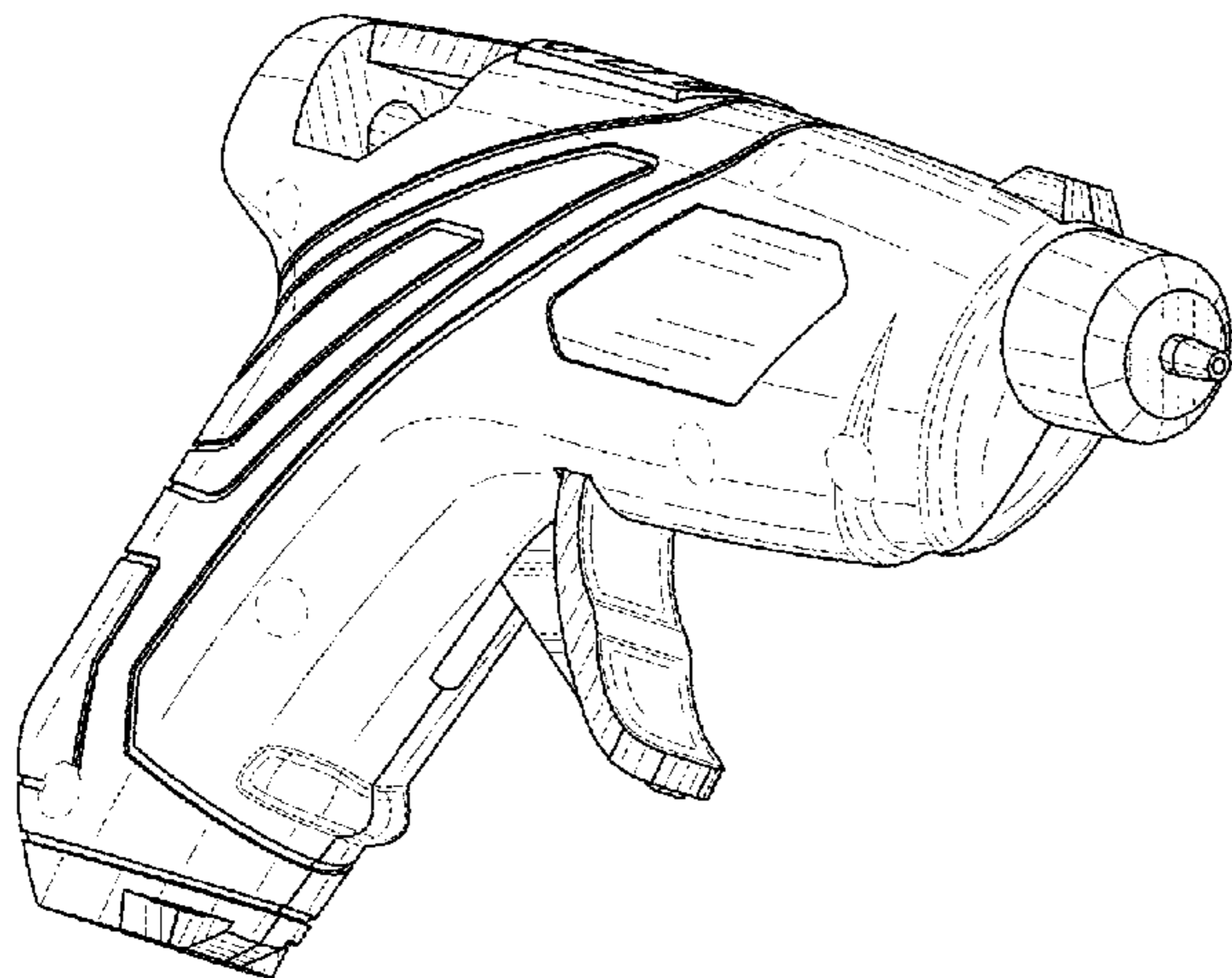
The ornamental design for a combined glue gun and base, as shown and described.

DESCRIPTION

FIG. 1 is a front, right, and bottom perspective view of a glue gun of a combined glue gun and base, showing my design. FIG. 2 is a front elevation view of the glue gun of the combined glue gun and base of FIG. 1. FIG. 3 is a rear elevation view of the glue gun of the combined glue gun and base of FIG. 1. FIG. 4 is a right side elevation view of the glue gun of the combined glue gun and base of FIG. 1. FIG. 5 is a left side elevation view of the glue gun of the combined glue gun and base of FIG. 1. FIG. 6 is a top plan view of the glue gun of the combined glue gun and base of FIG. 1. FIG. 7 is a bottom plan view of the glue gun of the combined glue gun and base of FIG. 1. FIG. 8 is a rear, left, and top perspective view of a base of a combined glue gun and base, showing my design. FIG. 9 is a rear elevation view of the base of the combined glue gun and base of FIG. 8. FIG. 10 is a front elevation view of the base of the combined glue gun and base of FIG. 8. FIG. 11 is a left side elevation view of the base of the combined glue gun and base of FIG. 8. FIG. 12 is a right side elevation view of the base of the combined glue gun and base of FIG. 8. FIG. 13 is a top plan view of the base of the combined glue gun and base of FIG. 8. FIG. 14 is a bottom plan view of the base of the combined glue gun and base of FIG. 8; and, FIG. 15 is a front, right, and bottom perspective view of the combined glue gun and base, wherein a glue gun is installed on a base.

The broken lines shown in the drawings are included for the purpose of illustrating portions of the combined glue gun and base that form no part of the claimed design.

1 Claim, 15 Drawing Sheets



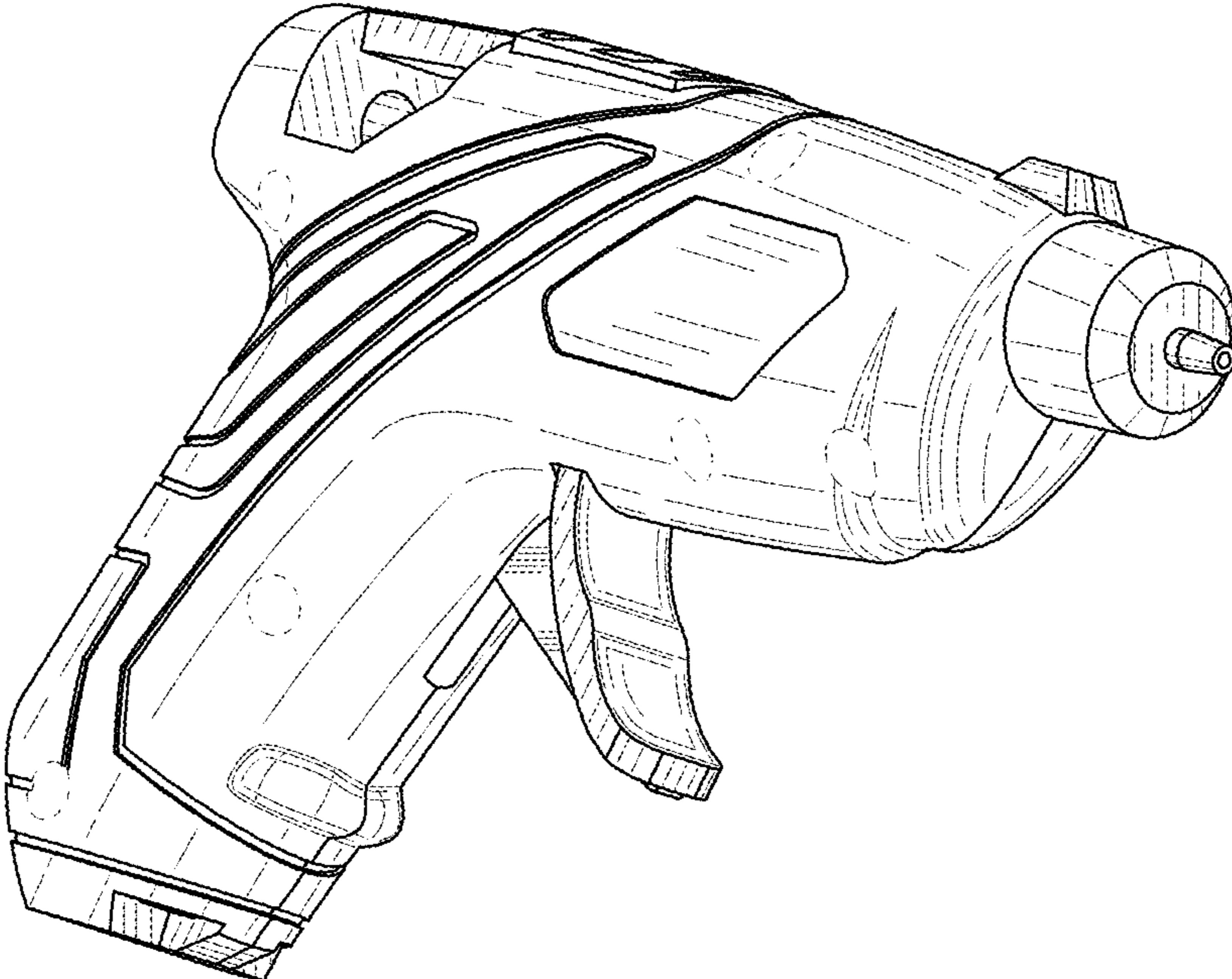


FIG.1

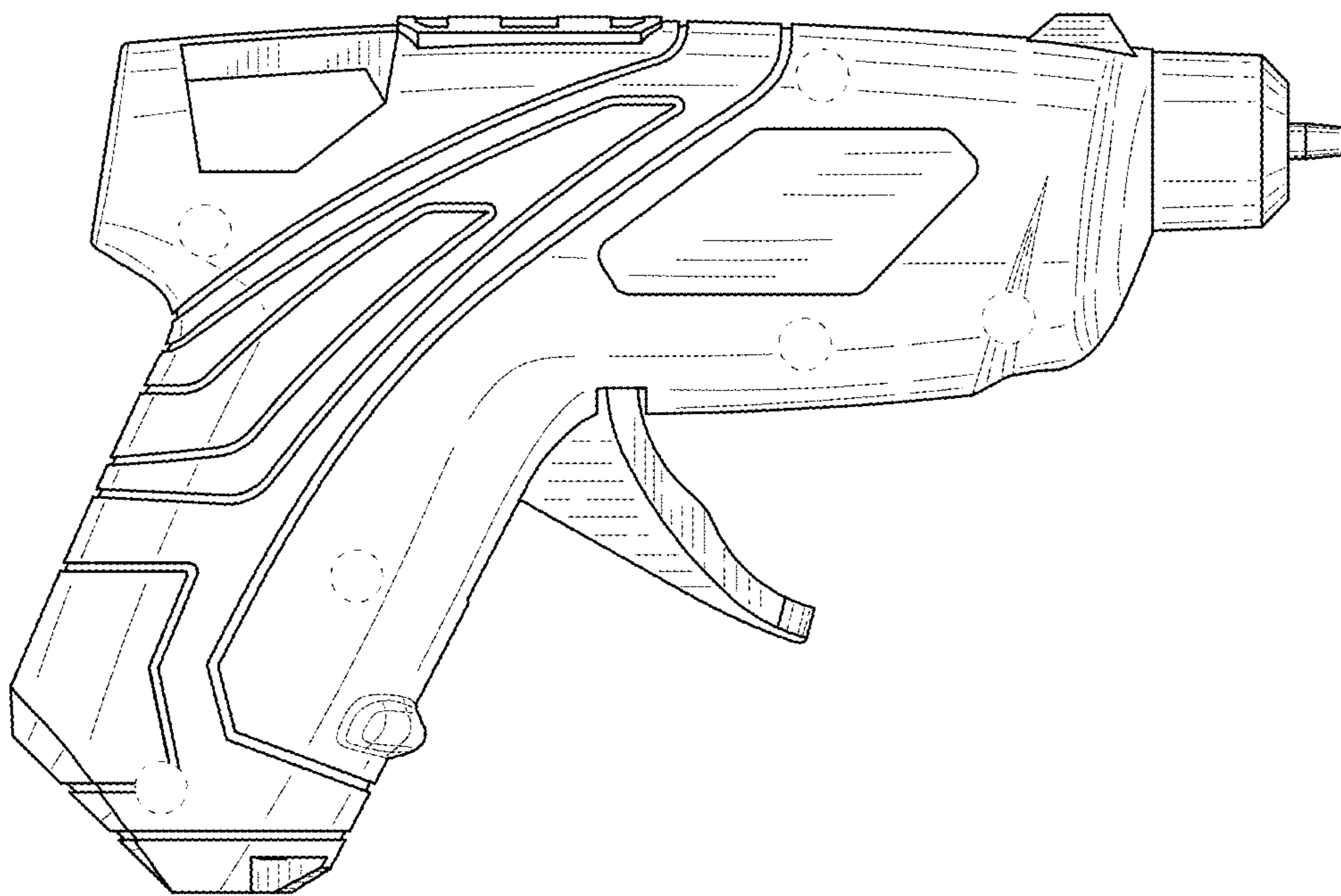


FIG.2

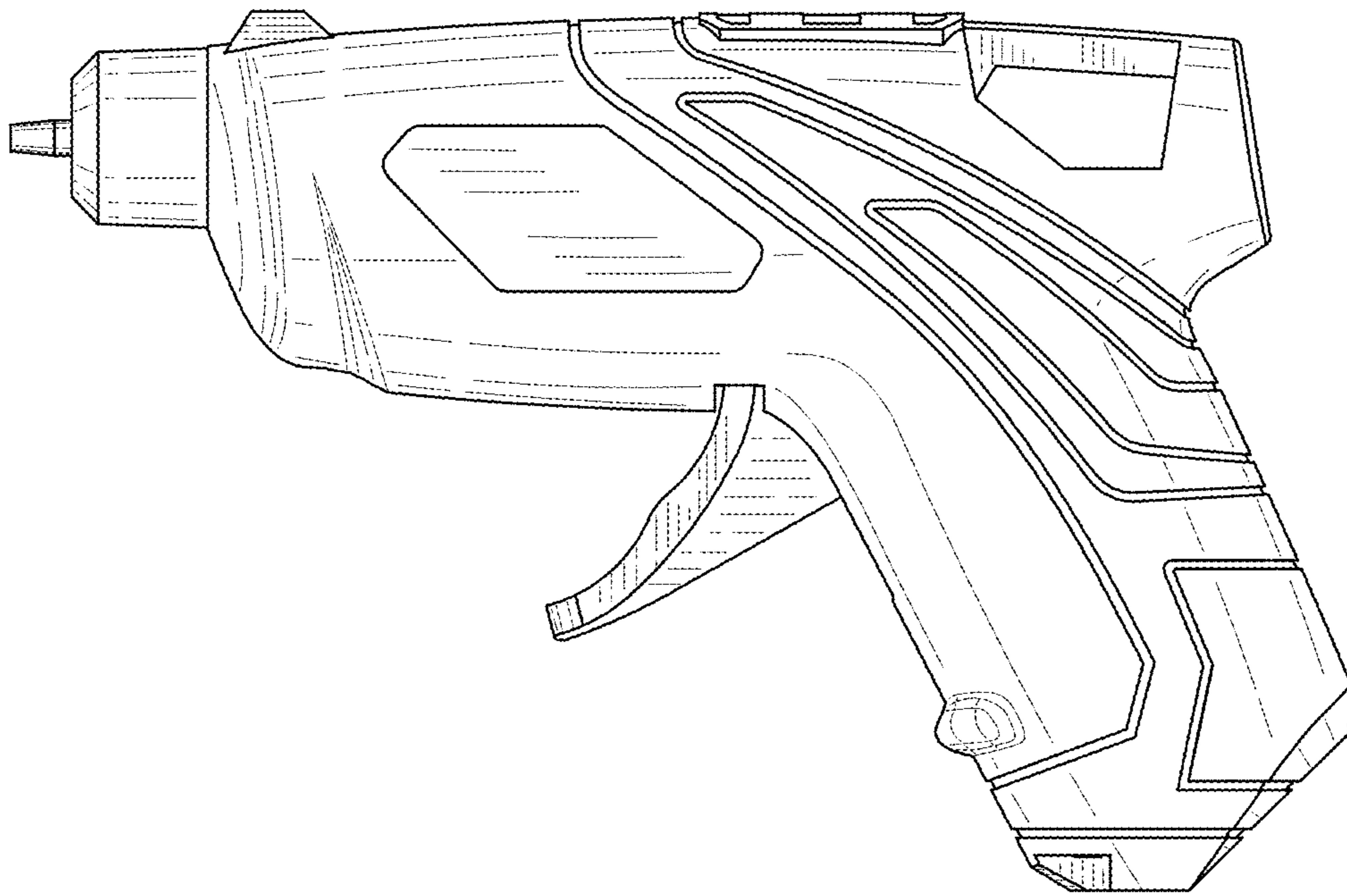


FIG.3

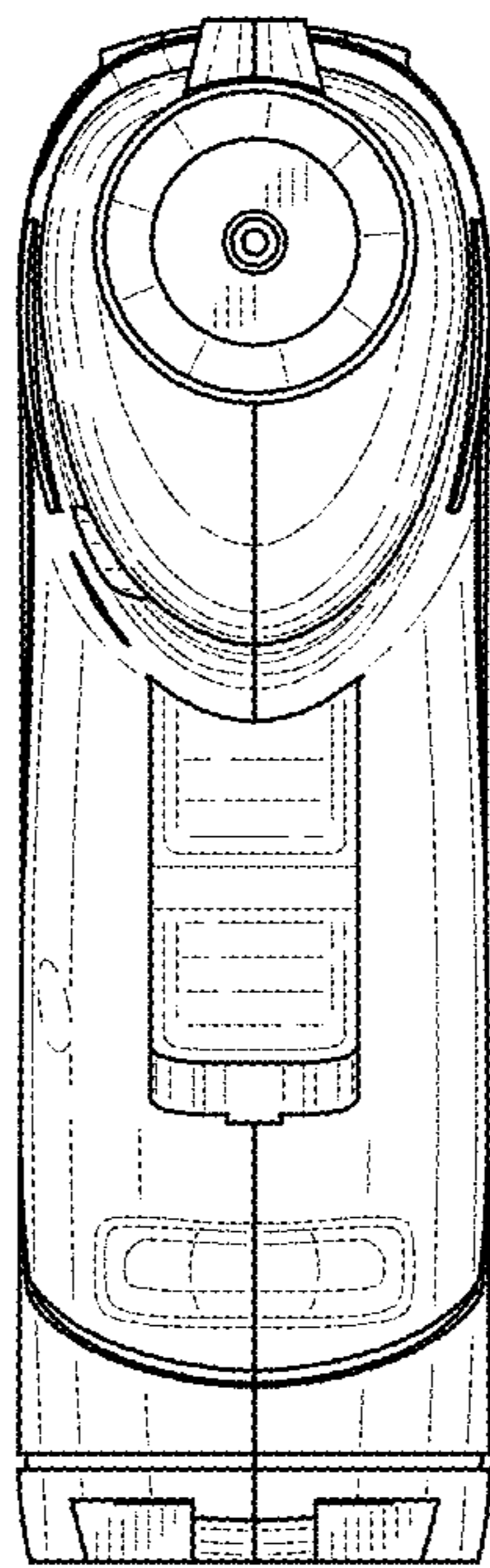


FIG.4

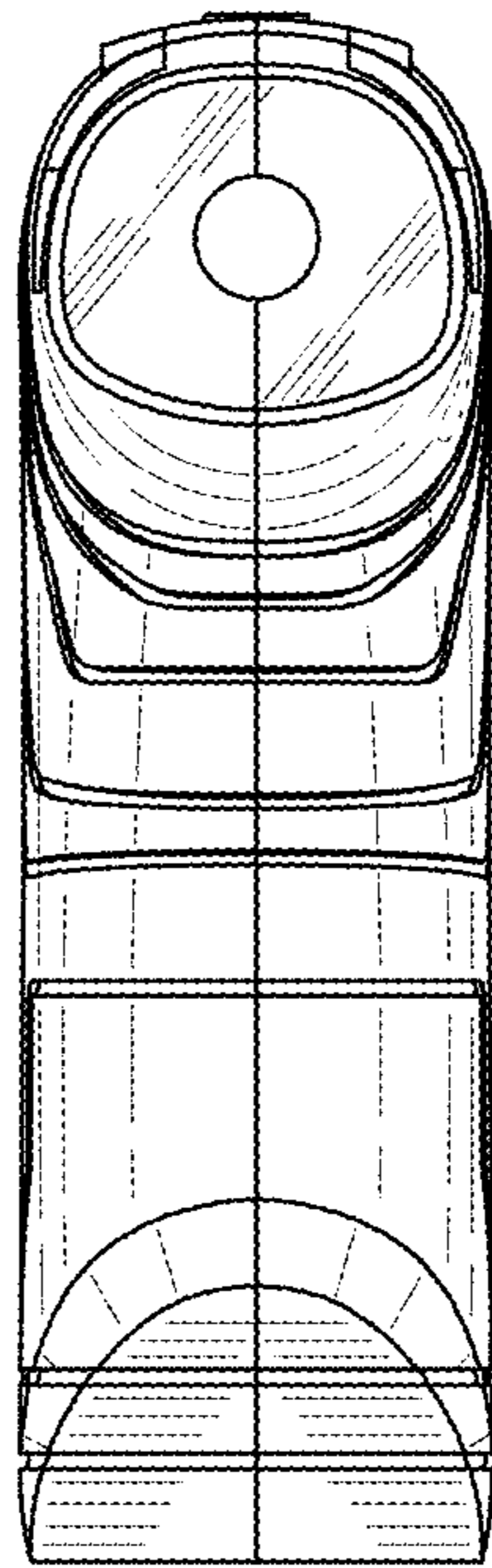


FIG.5

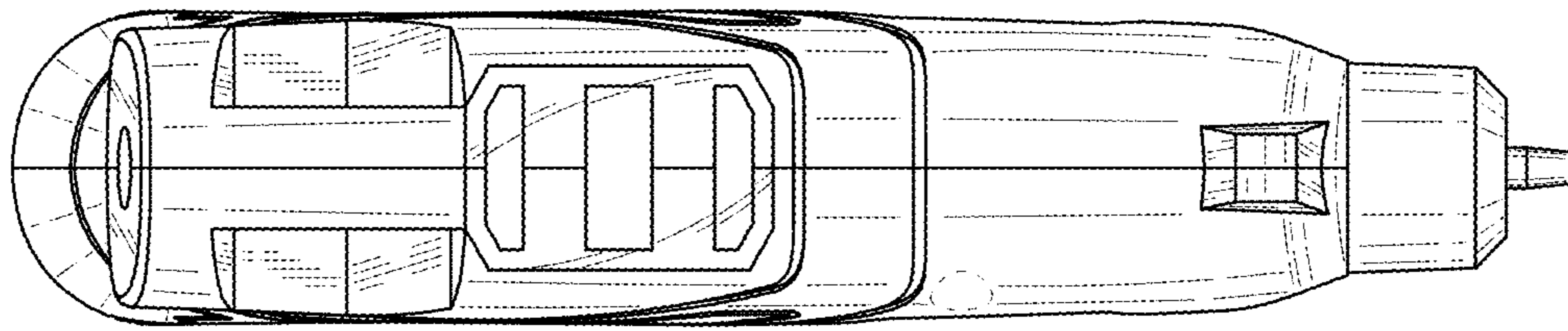


FIG.6

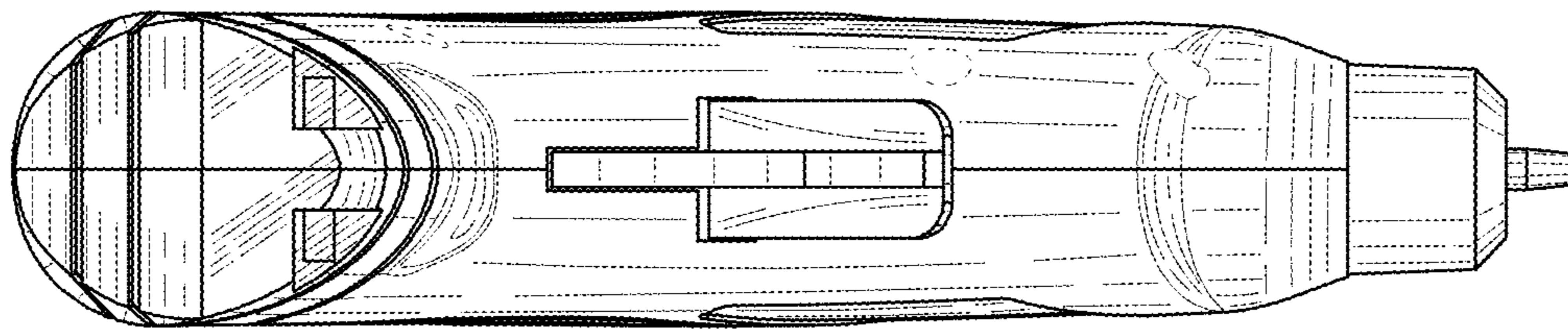


FIG.7

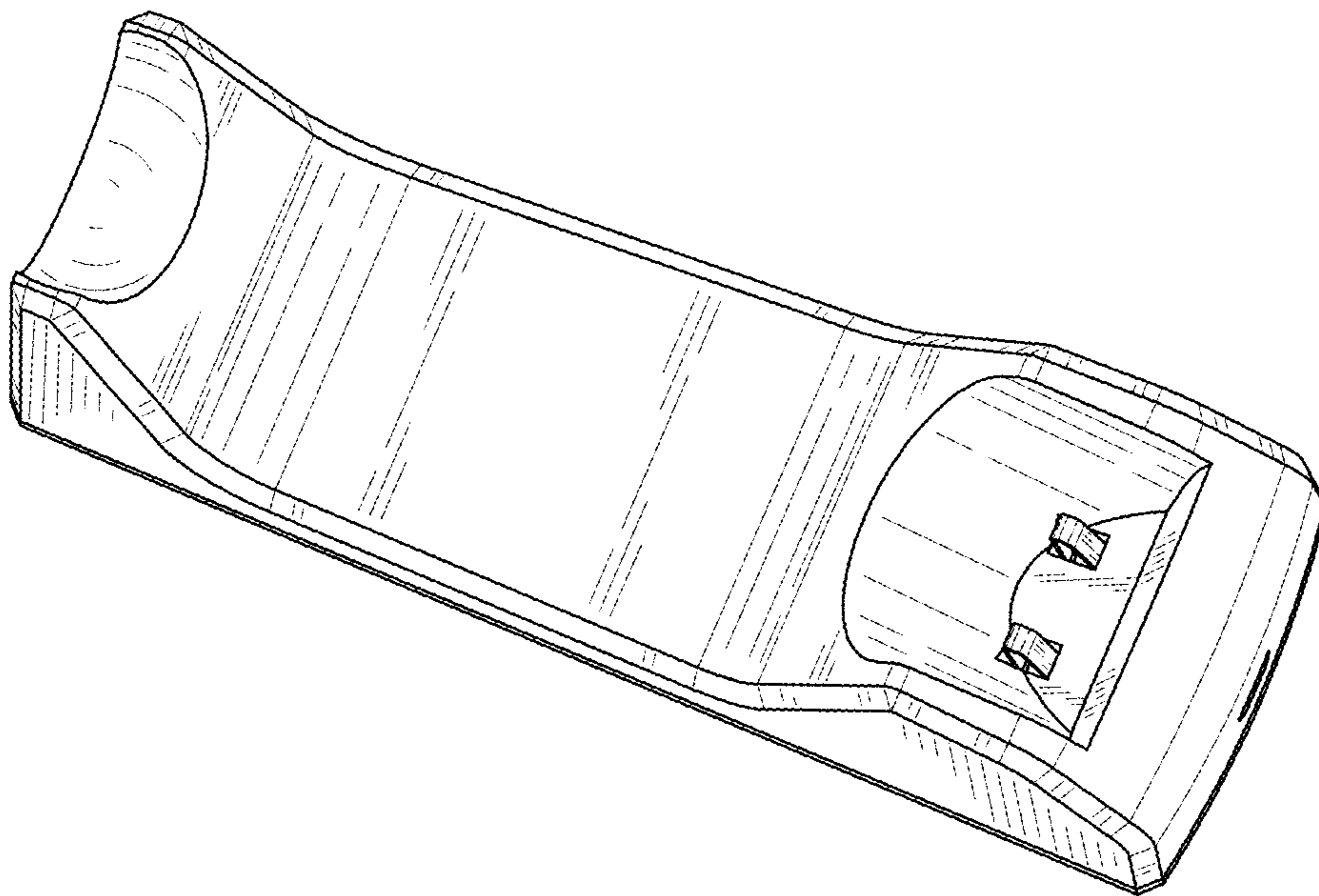


FIG.8

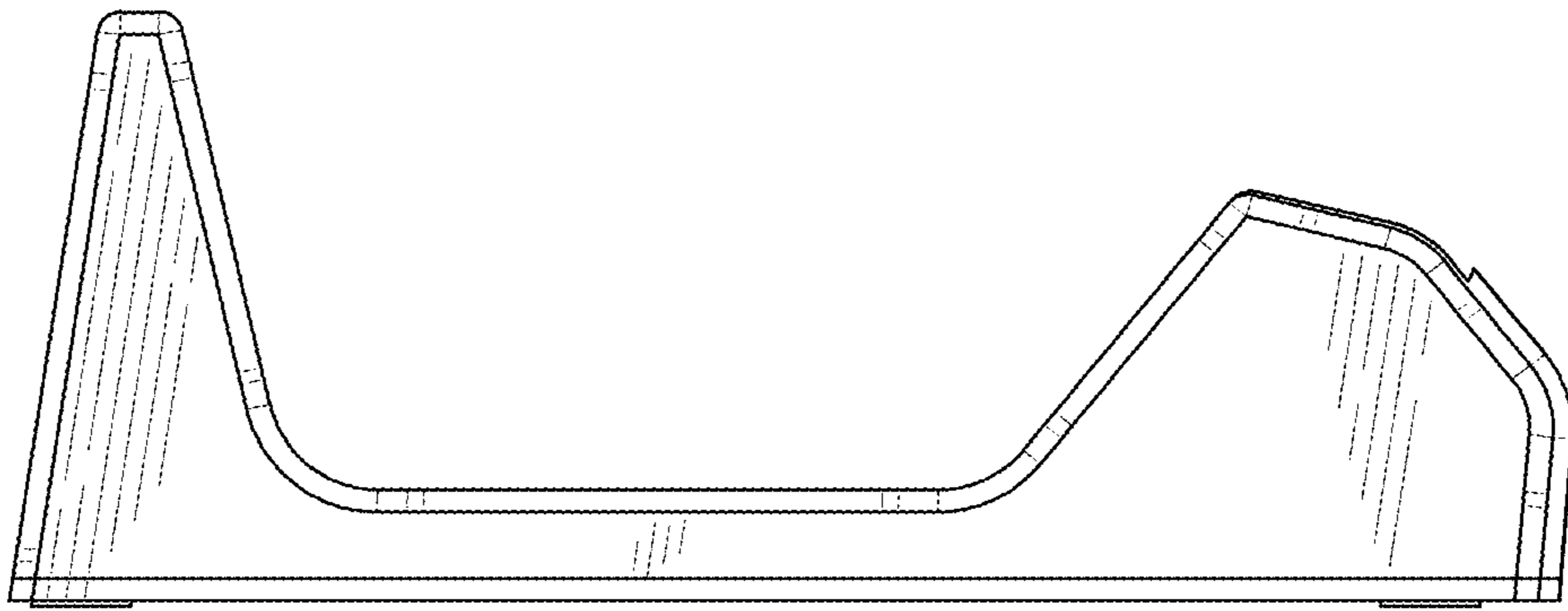


FIG.9

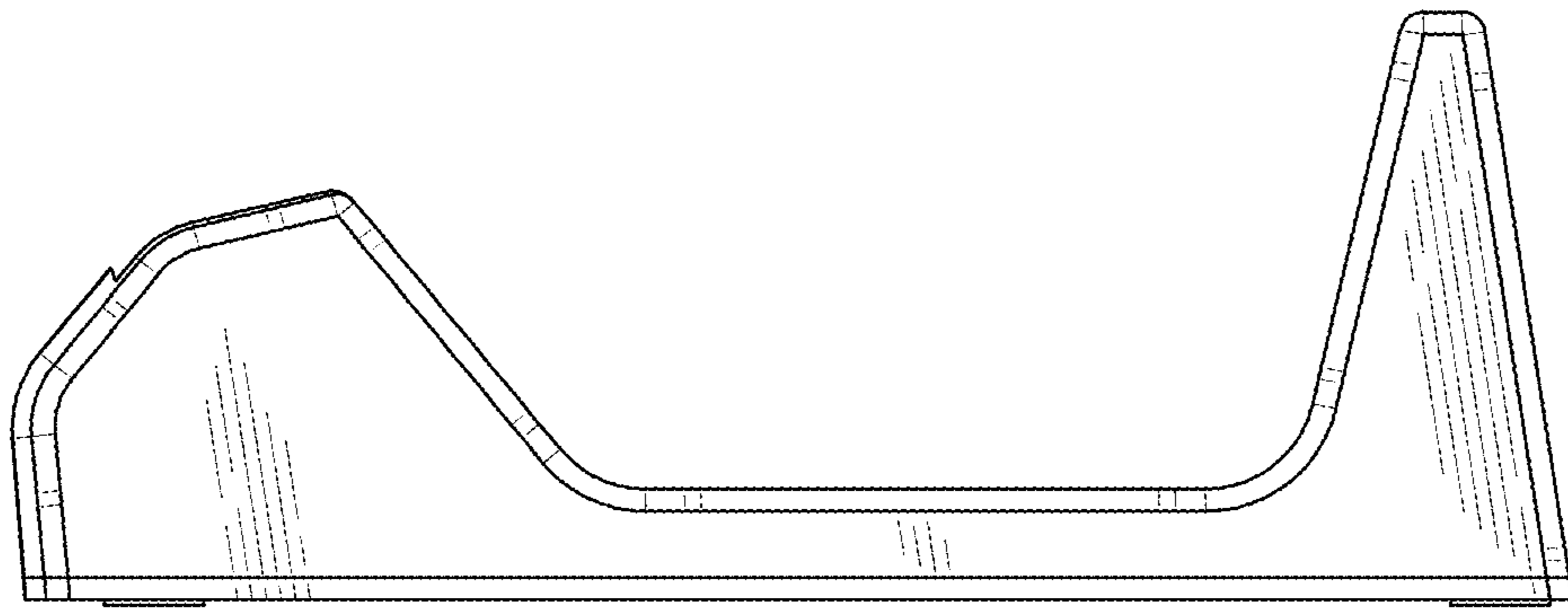


FIG.10

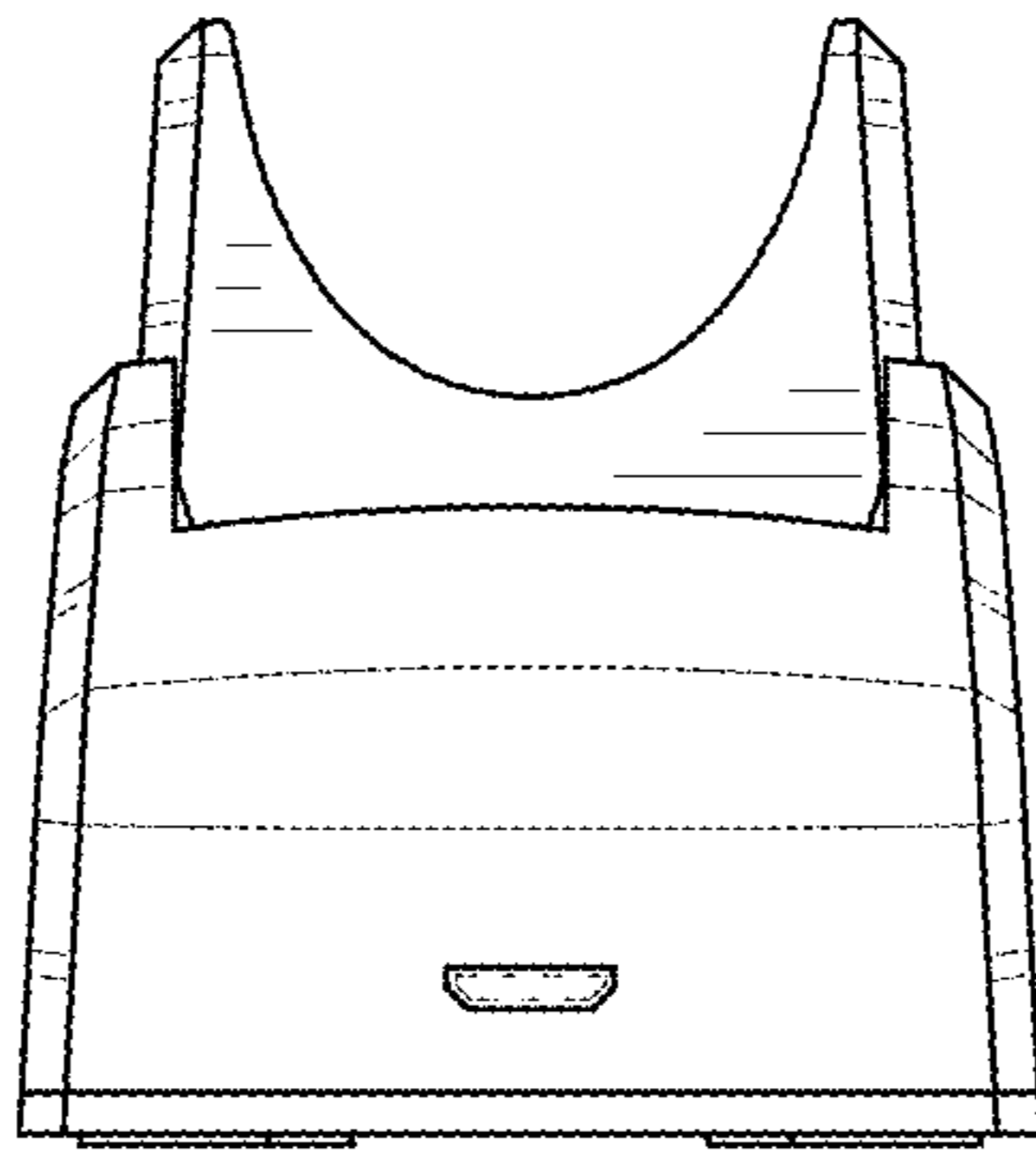


FIG.11

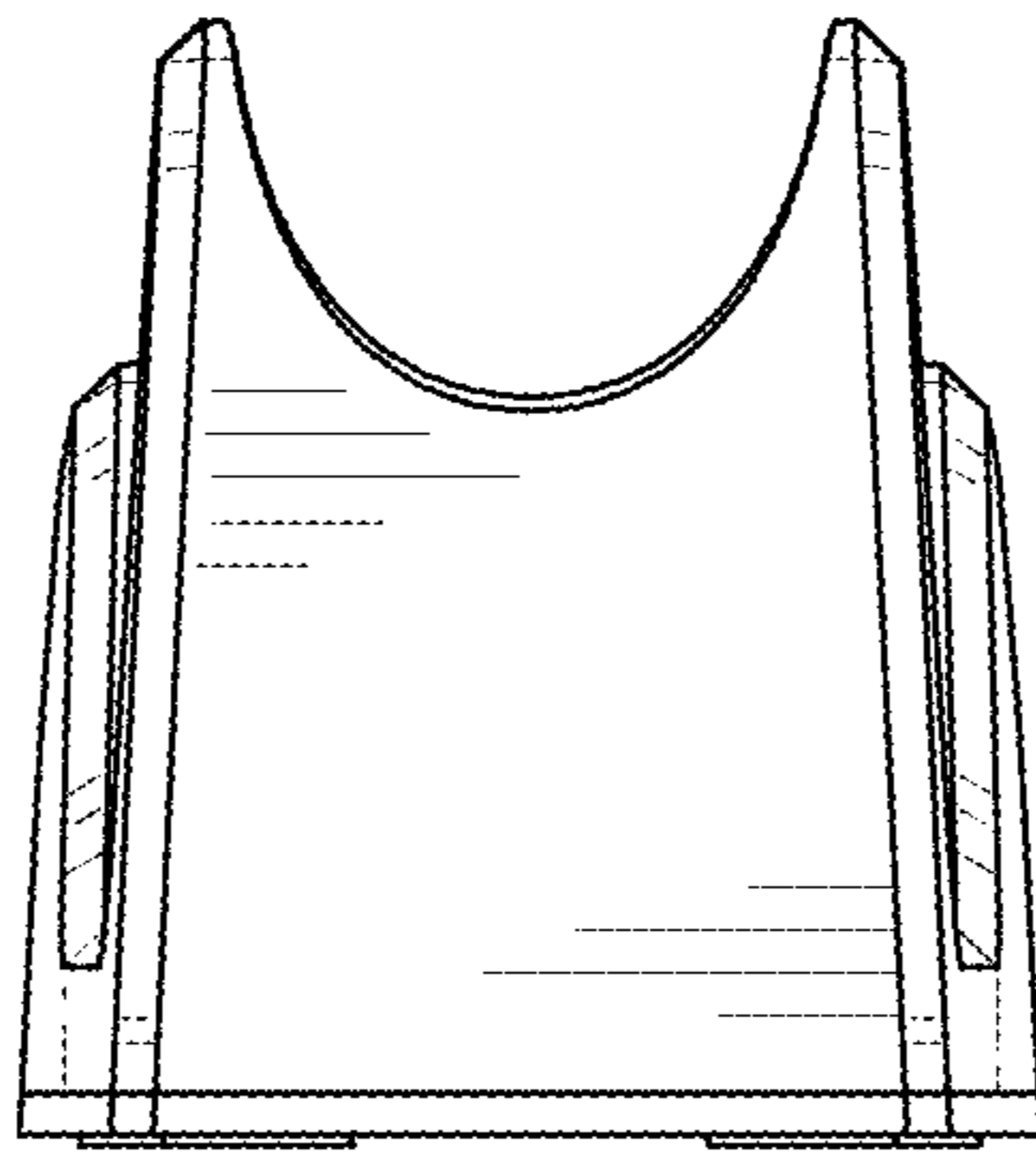


FIG.12

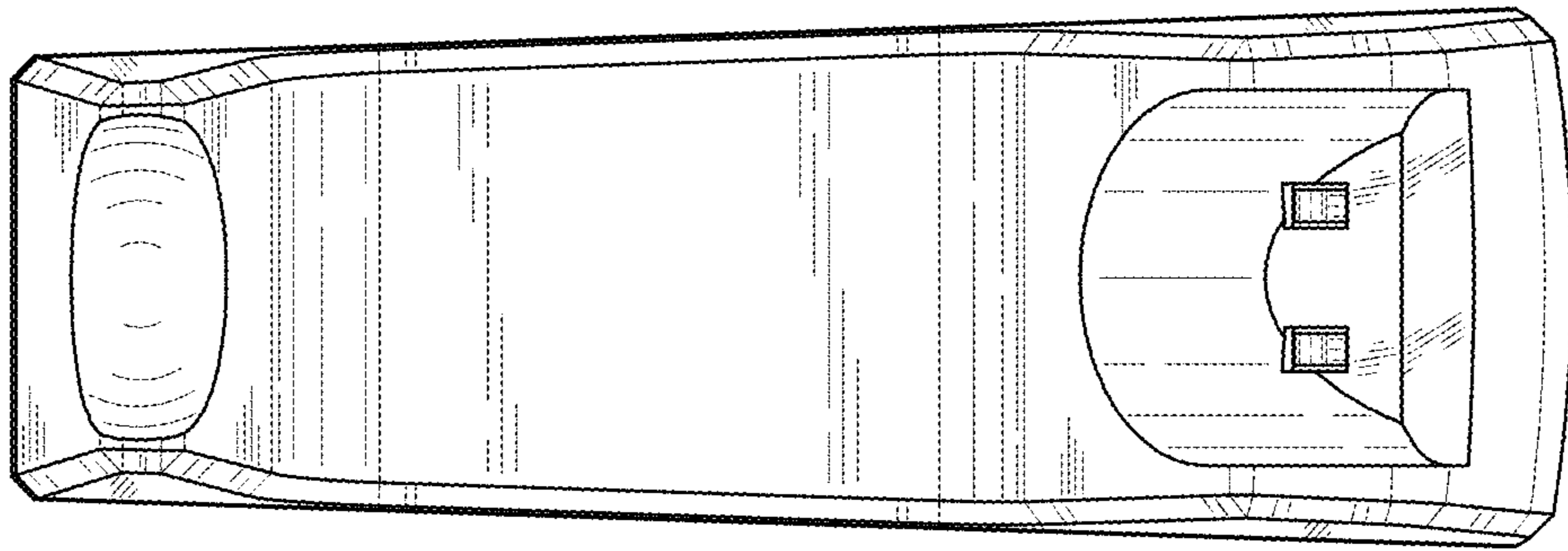


FIG.13

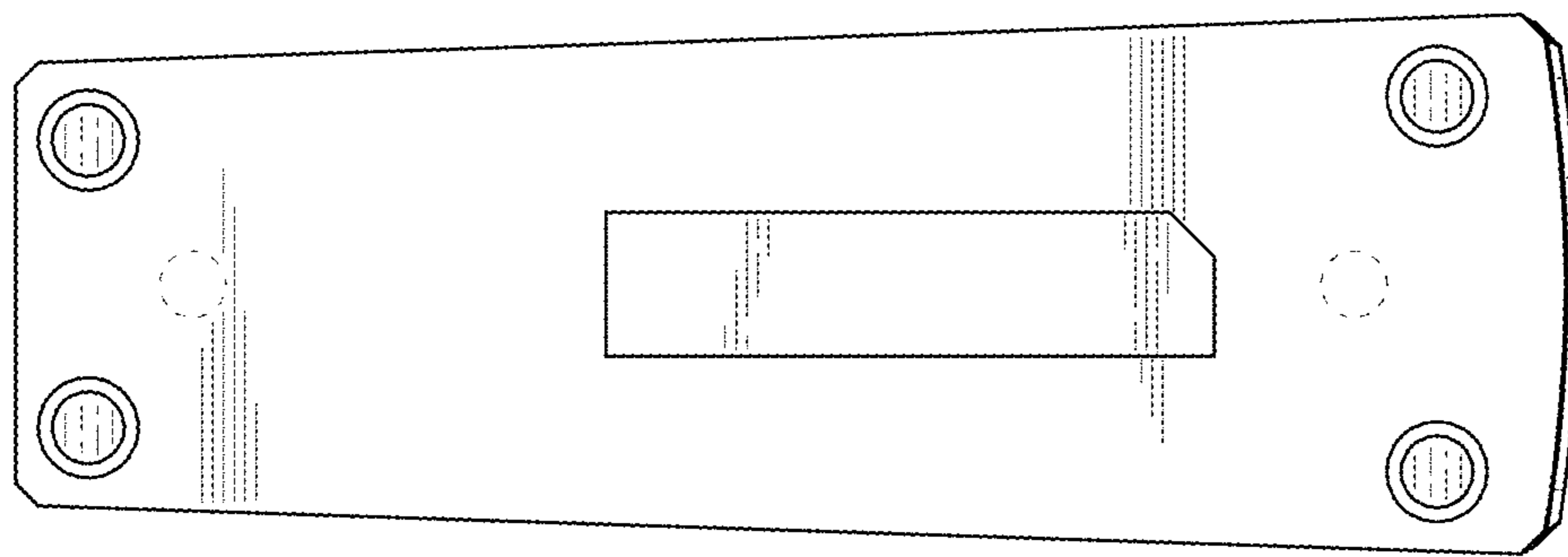


FIG.14

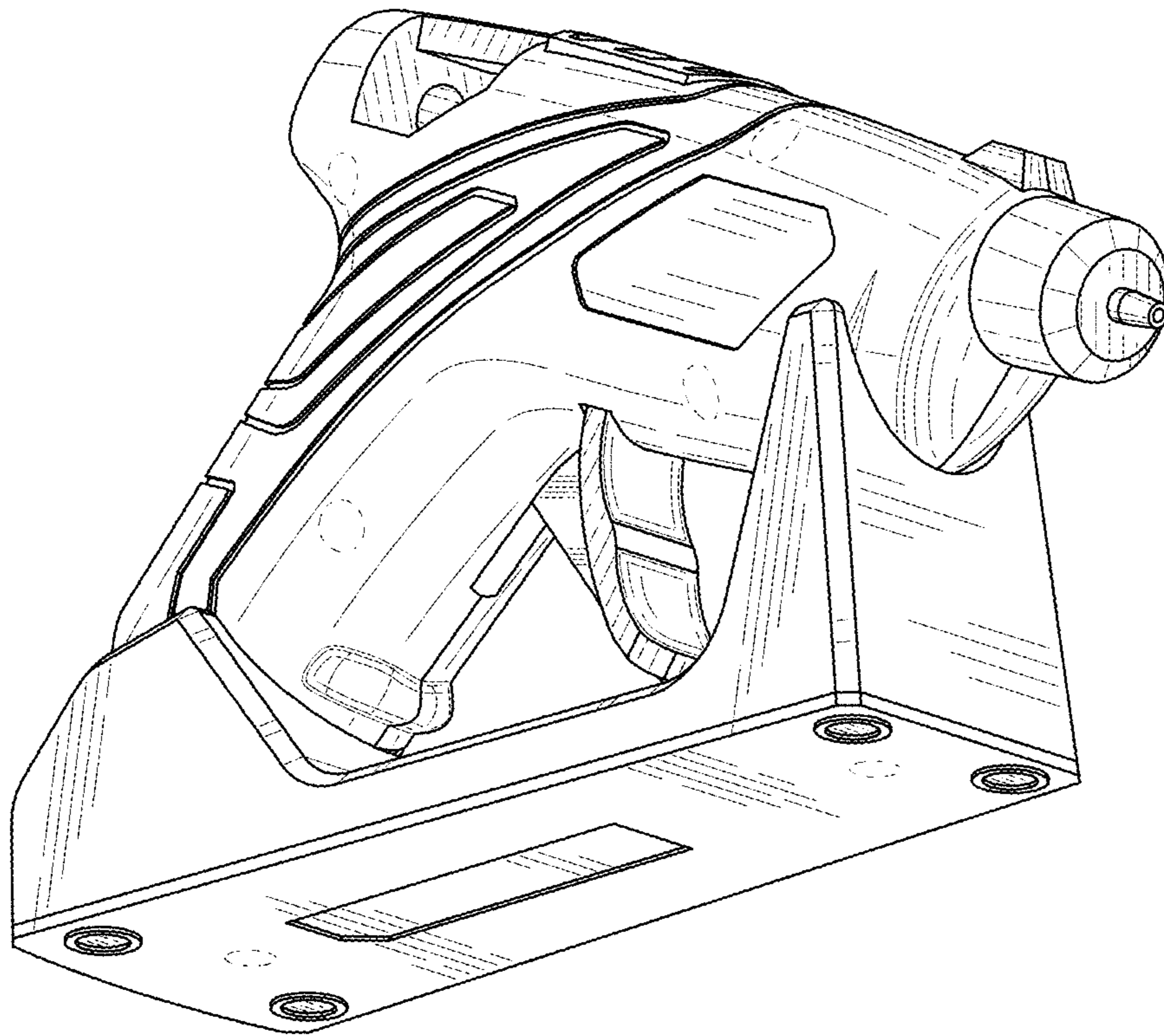


FIG.15