



US00D989580S

(12) **United States Design Patent**  
**Bloch**

(10) **Patent No.:** **US D989,580 S**

(45) **Date of Patent:** **\*\* Jun. 20, 2023**

- (54) **REPLACEABLE BLADE**
- (71) Applicant: **Outdoor Edge Cutlery, LLC**, Denver, CO (US)
- (72) Inventor: **David R. Bloch**, Morrison, CO (US)
- (73) Assignee: **Outdoor Edge Cutlery, LLC**, Denver, CO (US)
- (\*\*) Term: **15 Years**
- (21) Appl. No.: **29/779,084**
- (22) Filed: **Apr. 16, 2021**
- (51) **LOC (14) Cl.** ..... **08-03**
- (52) **U.S. Cl.**  
USPC ..... **D8/98**
- (58) **Field of Classification Search**  
USPC ..... D8/7, 20, 92, 98, 99; D22/118  
CPC .... B26B 1/00; B26B 5/00; B26B 9/00; B26B 1/02; B26B 1/04; B26B 1/08; B26B 3/00; B26B 11/006; A22B 3/10; A22B 5/16; A22B 5/161  
See application file for complete search history.

D306,550 S	3/1990	Inman	
D308,009 S	5/1990	Evrell	
D333,251 S	2/1993	Glesser	
5,272,812 A	12/1993	Doucette	
D344,006 S *	2/1994	Glesser	D22/118
5,442,855 A	8/1995	Jobin	
5,502,895 A	4/1996	Lemaire	
5,511,310 A	4/1996	Sessions et al.	
D371,288 S	7/1996	Thompson	
D379,056 S *	5/1997	Gold	D8/99
D383,370 S	9/1997	Chen et al.	
D385,471 S	10/1997	Seber et al.	
5,689,889 A	11/1997	Overholt	
5,698,889 A	12/1997	Abe	
D392,539 S	3/1998	Balolia	
D393,405 S	4/1998	Seber et al.	
D399,621 S *	10/1998	Henke	D32/49
5,966,816 A	10/1999	Roberson	
6,044,566 A	4/2000	Ries et al.	

(Continued)

*Primary Examiner* — Calvin E Vansant  
*Assistant Examiner* — Benjamin Lucas Gray  
 (74) *Attorney, Agent, or Firm* — Grumbles Law PLLC

(57) **CLAIM**

The ornamental design for a replaceable blade, as shown and described.

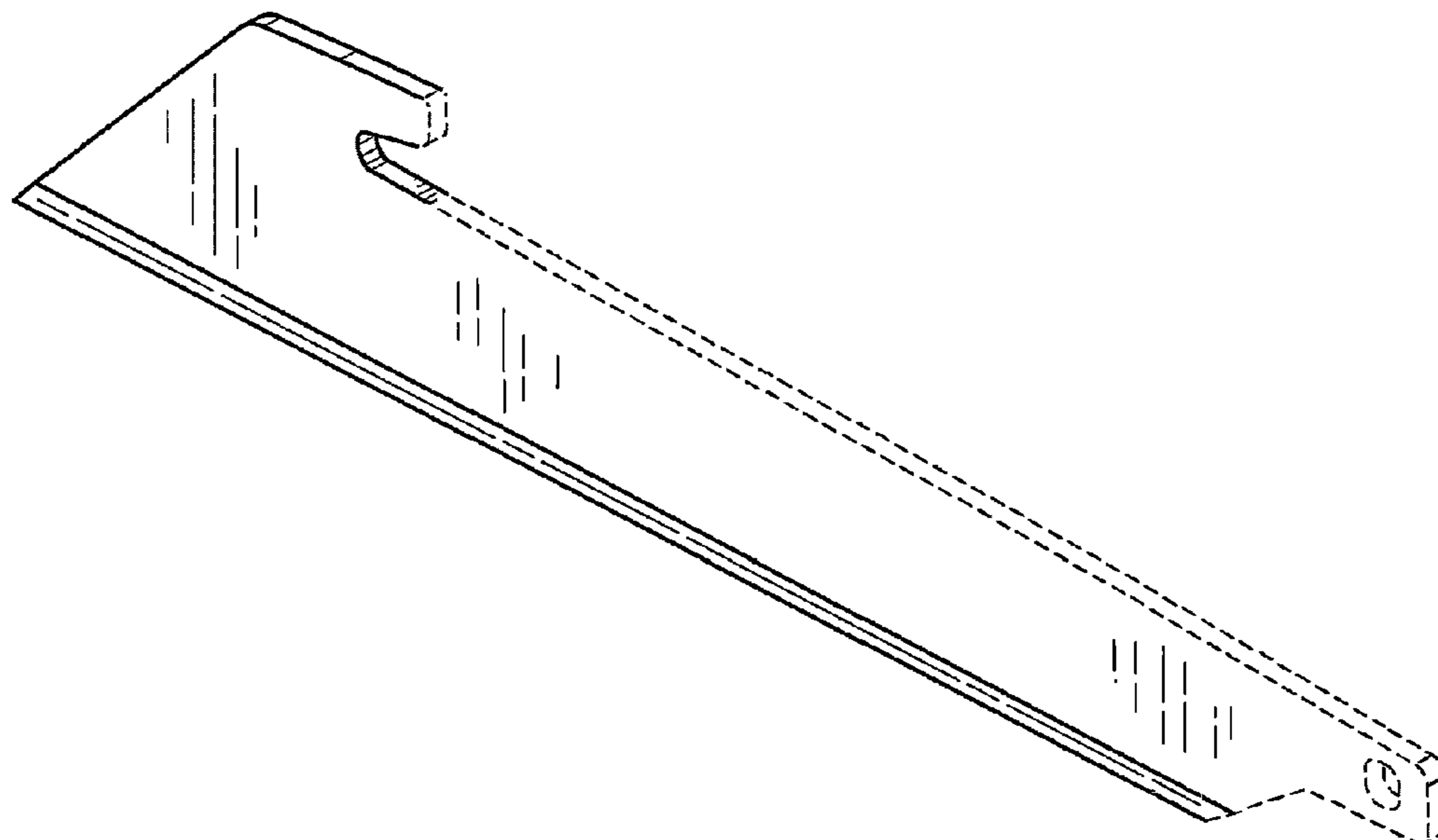
**DESCRIPTION**

FIG. 1 is a perspective view of a replaceable blade showing the new design;  
 FIG. 2 is another perspective view thereof;  
 FIG. 3 is a front elevation view thereof;  
 FIG. 4 is a rear elevation view thereof;  
 FIG. 5 is a left elevation view thereof;  
 FIG. 6 is a right elevation view thereof;  
 FIG. 7 is a top plan view thereof; and,  
 FIG. 8 is a bottom plan view thereof.  
 The dashed broken lines depict portions of the replaceable blade that form no part of the claimed design.

**1 Claim, 6 Drawing Sheets**

(56) **References Cited**  
 U.S. PATENT DOCUMENTS

1,738,365 A	12/1929	Gahagan	
D100,877 S	8/1936	Parker et al.	
D143,670 S	1/1946	Palmer et al.	
D172,377 S	6/1954	Woofter	
3,488,843 A	1/1970	Tims, Jr.	
3,760,438 A	9/1973	White	
3,772,955 A	11/1973	Pearl	
3,896,546 A	7/1975	Hildebrandt	
4,161,818 A	7/1979	Phelps	
4,173,071 A	11/1979	Ishida	
D265,719 S	8/1982	Dowdy	
D277,452 S	2/1985	Ulvtorp	
D282,097 S *	1/1986	Nativo	D7/696



**US D989,580 S**

(56)

**References Cited**

U.S. PATENT DOCUMENTS

6,058,611 A	5/2000	Rickard		D593,838 S	6/2009	Williams	
6,112,352 A *	9/2000	Legg .....	B26B 11/008 7/118	7,900,363 B1	3/2011	White	
D435,420 S	12/2000	Ayoob		D637,876 S *	5/2011	Williams .....	D8/20
D442,461 S	5/2001	Glesser		D654,144 S	2/2012	Karlsson et al.	
6,263,581 B1	7/2001	Forte		D661,326 S *	6/2012	Sauter .....	D15/139
6,397,476 B1	6/2002	Onion		8,381,407 B1	2/2013	White	
6,446,341 B1	9/2002	Wang et al.		8,914,982 B1 *	12/2014	Skluzak .....	B26B 5/00 30/337
6,574,868 B1	6/2003	Overholt		8,935,855 B2	1/2015	Qiu	
6,715,209 B2	4/2004	Taylor		D728,339 S	5/2015	Bloch	
D501,782 S	2/2005	Ping		D738,181 S	9/2015	Kanaan	
6,938,345 B2	9/2005	Yu		D747,637 S	1/2016	Bloch	
D510,250 S	10/2005	Ping		D751,882 S	3/2016	Bloch	
D516,403 S	3/2006	Ping		9,352,473 B2	5/2016	Harvey	
D517,893 S	3/2006	Ping		D764,888 S	8/2016	Bloch	
D519,019 S	4/2006	Ping		9,592,612 B2	3/2017	Koenig	
7,020,969 B2	4/2006	Roberson		D795,040 S	8/2017	Bloch	
D522,835 S	6/2006	Ping		D843,808 S	3/2019	Bloch	
D526,878 S	8/2006	Ping		D847,604 S *	5/2019	Stinson .....	D8/20
D528,894 S	9/2006	Ping		D869,254 S	12/2019	Bloch	
D528,895 S	9/2006	Ping		10,493,641 B2	12/2019	Bloch	
7,134,207 B2	11/2006	Ping		D889,240 S *	7/2020	Liang .....	D8/100
D535,171 S	1/2007	Ping		D891,216 S	7/2020	Bloch	
7,172,611 B2	2/2007	Harding et al.		D896,056 S *	9/2020	Brown .....	D8/99
7,214,127 B1 *	5/2007	Thompson .....	A22B 5/168 452/103	D911,135 S *	2/2021	Petzl .....	D8/99
D543,822 S	6/2007	Ping		D917,259 S *	4/2021	Vallo .....	D8/99
D545,165 S	6/2007	Ping		D951,046 S *	5/2022	Horne .....	D8/20
D546,158 S	7/2007	Ping		2004/0226173 A1	11/2004	Ping	
D551,050 S	9/2007	Ping		2004/0231169 A1	11/2004	Roberson	
D552,955 S	10/2007	Ping		2005/0138816 A1	6/2005	Ping	
D561,295 S *	2/2008	Taylor .....	D22/118	2005/0229404 A1	10/2005	Nordqvist et al.	
D562,651 S	2/2008	Harkey		2006/0064877 A1	3/2006	Vallotton et al.	
D564,326 S	3/2008	Tsuda et al.		2007/0006466 A1	1/2007	Ping	
D567,055 S	4/2008	Renzi et al.		2007/0294895 A1	12/2007	Ping	
D568,136 S	5/2008	Ping		2008/0148576 A1	6/2008	Ping	
D573,435 S	7/2008	Tsuda et al.		2010/0175267 A1	7/2010	Seber et al.	
D574,691 S	8/2008	Ping		2010/0299935 A1	12/2010	Ping	
D578,858 S	10/2008	Ping		2011/0023308 A1	2/2011	Ping	
D579,299 S	10/2008	Ping		2012/0030949 A1	2/2012	Ping	
D583,643 S	12/2008	Ping		2012/0227267 A1	9/2012	Qiu	
D584,125 S	1/2009	Ping		2013/0227794 A1	9/2013	Wang	
7,480,997 B2	1/2009	Ping		2013/0255087 A1	10/2013	Wang	
D592,033 S	5/2009	Bloch		2014/0115851 A1	5/2014	Bloch et al.	
D592,034 S *	5/2009	Huang .....	D8/99	2014/0216605 A1	8/2014	Batty	
				2014/0345147 A1	11/2014	Frazer	
				2016/0271809 A1	9/2016	Bloch	

\* cited by examiner

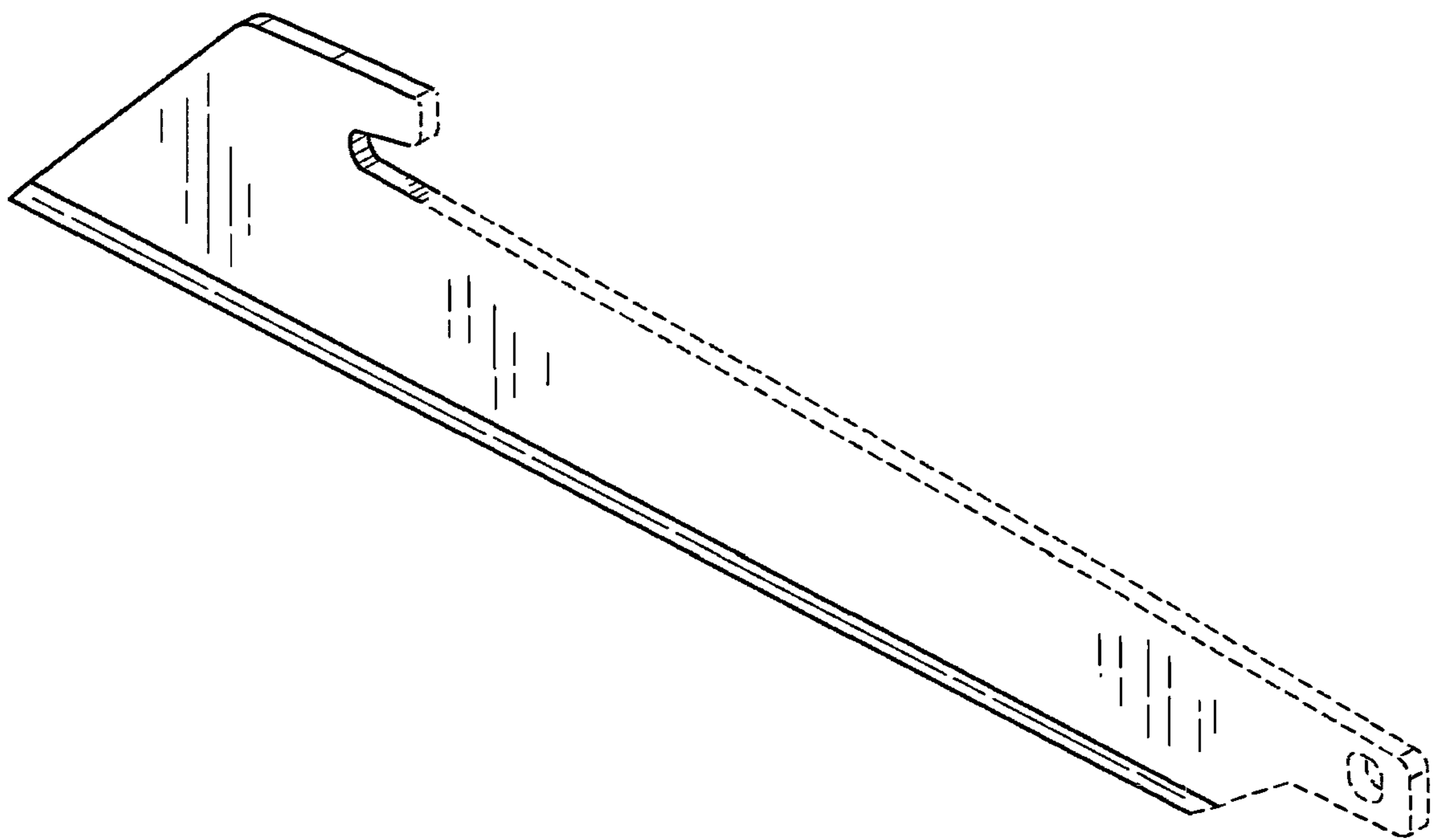


FIG.1

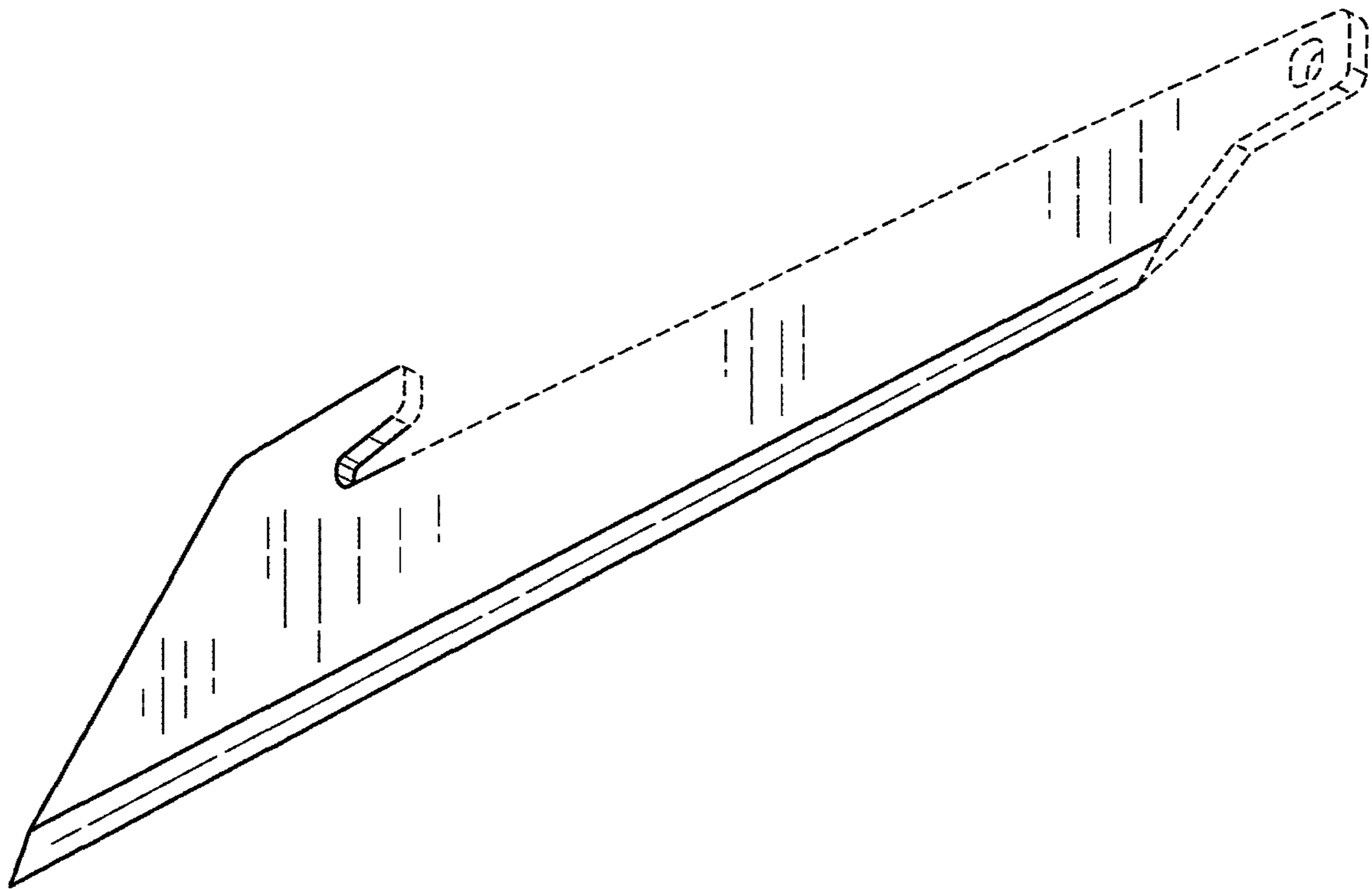


FIG. 2

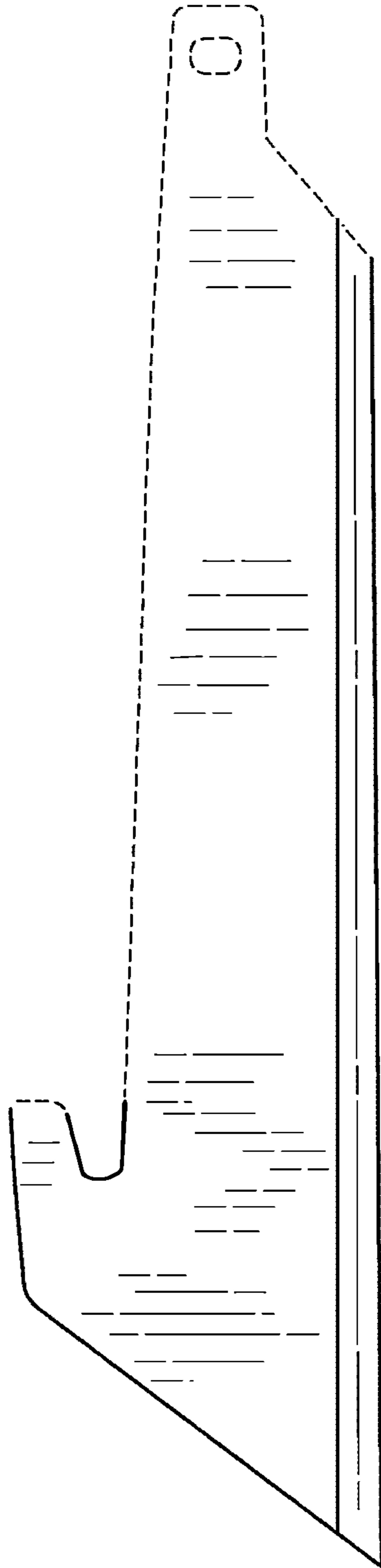


FIG.3

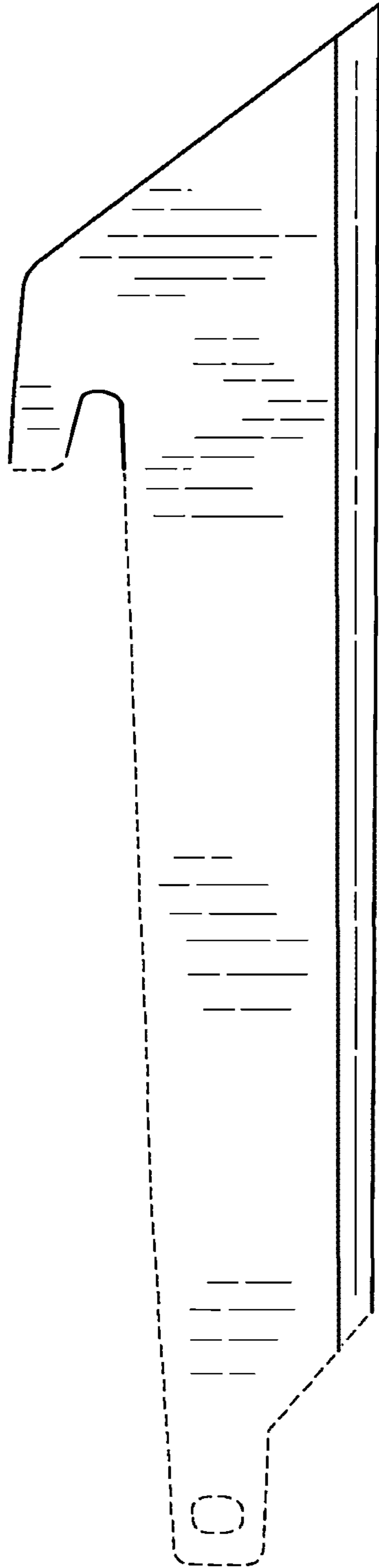


FIG.4



FIG.5

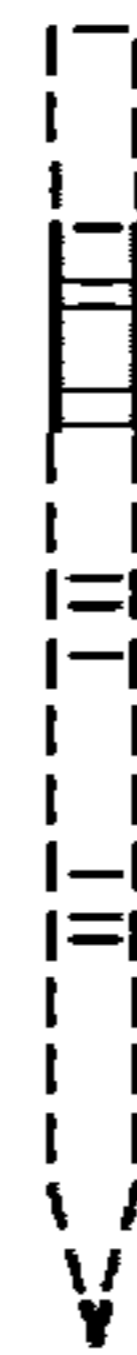


FIG.6



FIG. 7



FIG. 8