



US00D989579S

(12) **United States Design Patent**
Hua et al.

(10) **Patent No.:** **US D989,579 S**
(45) **Date of Patent:** **** Jun. 20, 2023**

(54) **FORK**
(71) Applicant: **CIXI HUAZHJIE PLASTIC
PRODUCT CO., LTD., Zhejiang (CN)**
(72) Inventors: **Jie Hua, Zhejiang (CN); Shimin Hua,
Zhejiang (CN)**
(73) Assignee: **CIXI HUAZHJIE PLASTIC
PRODUCT CO., LTD., Zhejiang (CN)**

1,939,475 A * 12/1933 Walsh A01D 7/10
294/50.9
3,094,348 A * 6/1963 Preziosi A01G 20/40
294/55.5
D219,884 S * 2/1971 Patton D8/13
3,901,010 A * 8/1975 Pajunen A01D 7/10
56/400.08
D292,261 S * 10/1987 Mitton D8/13
4,768,331 A * 9/1988 Jones A01D 7/00
56/8

(Continued)

(**) Term: **15 Years**
(21) Appl. No.: **29/821,967**
(22) Filed: **Jan. 5, 2022**

Primary Examiner — Rachel A. Voorhies
Assistant Examiner — Benjamin D. Wannemacher
(74) *Attorney, Agent, or Firm* — JCIPRNET

(30) **Foreign Application Priority Data**

Sep. 1, 2021 (CN) 202130575865.1

(51) **LOC (14) Cl.** **08-01**

(52) **U.S. Cl.**
USPC **D8/13**

(58) **Field of Classification Search**
USPC D8/1, 6, 9, 10, 11, 13
CPC ... A01D 7/00; A01D 7/06; A01D 7/10; A01D
11/06; A01B 1/243
See application file for complete search history.

(56) **References Cited**

U.S. PATENT DOCUMENTS

929,479 A * 7/1909 Parker A01D 11/04
294/55.5
938,001 A * 10/1909 Kropp A01D 11/06
294/52
1,267,778 A * 5/1918 Leen A01D 45/006
294/55.5
1,763,757 A * 6/1930 Charles A01C 15/00
222/196
1,831,009 A * 11/1931 Kimber A01D 7/08
56/400.17

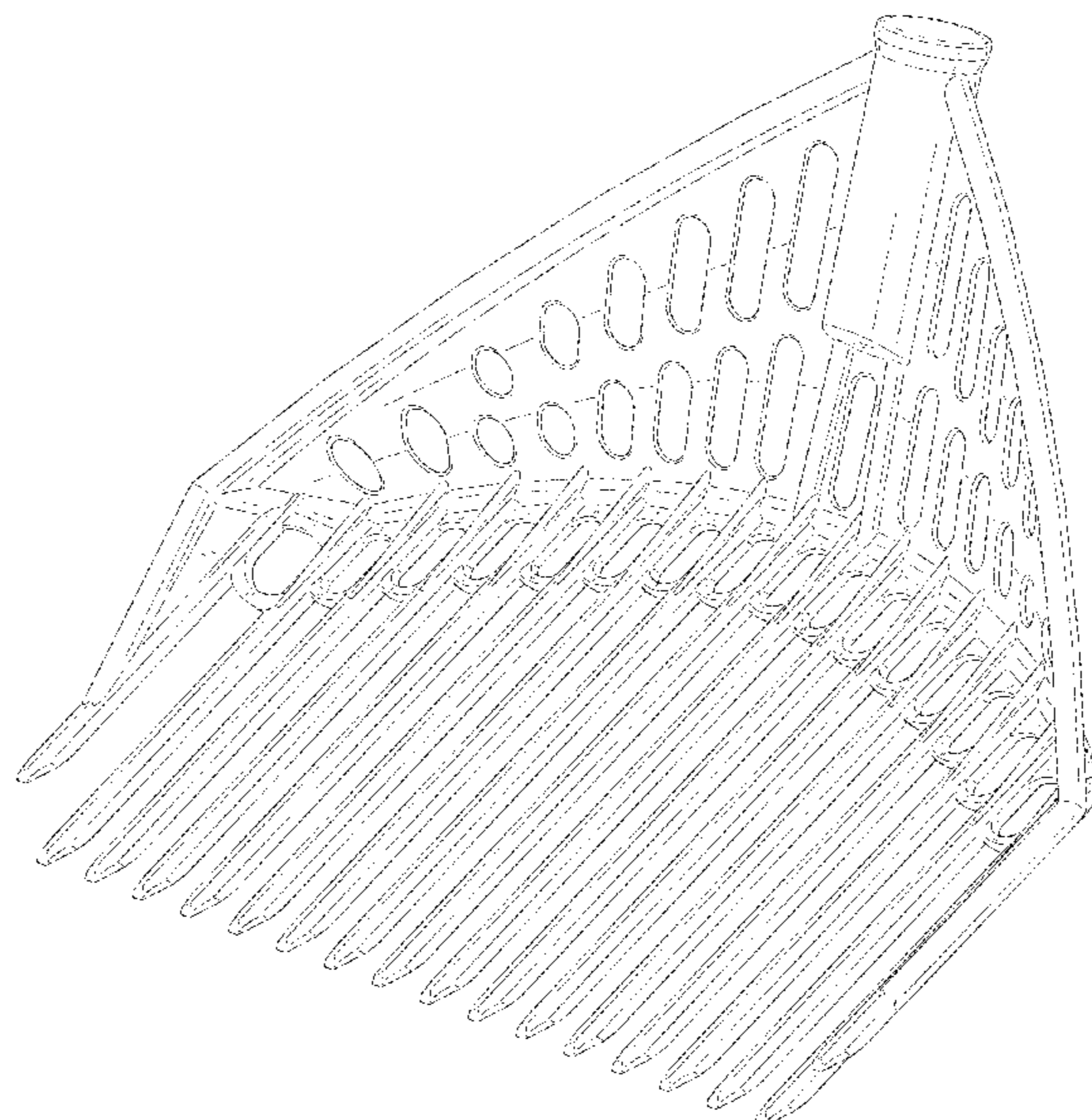
(57) **CLAIM**

The ornamental design for a fork, as shown and described.

DESCRIPTION

FIG. 1 is a perspective view of a fork showing our new design;
FIG. 2 is another perspective view thereof;
FIG. 3 is a front view thereof;
FIG. 4 is a rear view thereof;
FIG. 5 is a left side view thereof;
FIG. 6 is a right side view thereof;
FIG. 7 is a top view thereof;
FIG. 8 is a bottom view thereof;
FIG. 9 is a perspective view thereof, showing a first status while in use; and,
FIG. 10 is a perspective view thereof, showing a second status while in use.
The dashed broken lines illustrate portions of the fork that form no part of the claimed design. The dashed broken lines showing an elongated handle in FIG. 9 and a shortened handle in FIG. 10 are for the purpose of illustrating environmental structure, and form no part of the claimed design.

1 Claim, 10 Drawing Sheets



(56)

References Cited

U.S. PATENT DOCUMENTS

4,828,690 A * 5/1989 Montez E01H 12/00
209/418
D312,030 S * 11/1990 Brignull 294/55.5
D314,254 S * 1/1991 Gordon 294/1.3
5,025,621 A * 6/1991 DeMarco A01G 3/02
56/400.05
D332,675 S * 1/1993 Simon A01K 1/0114
294/1.3
5,417,044 A * 5/1995 Russo A01K 1/01
56/400.11
D381,778 S * 7/1997 Semo E01H 12/00
D30/162
D391,133 S * 2/1998 Lee D8/13
D403,133 S * 12/1998 Bowell D30/162
D406,413 S * 3/1999 Russo A01K 1/0114
D30/162
D409,804 S * 5/1999 Nunes D30/162
5,921,596 A * 7/1999 Sheriff A01K 1/0114
209/418
D418,726 S * 1/2000 White, Jr. D8/13
D463,075 S * 9/2002 Padgett A01K 1/01
D30/162
6,474,267 B1 * 11/2002 Padgett A01K 1/01
294/50
D596,907 S * 7/2009 Przygoda A01K 1/01
D8/13

* cited by examiner

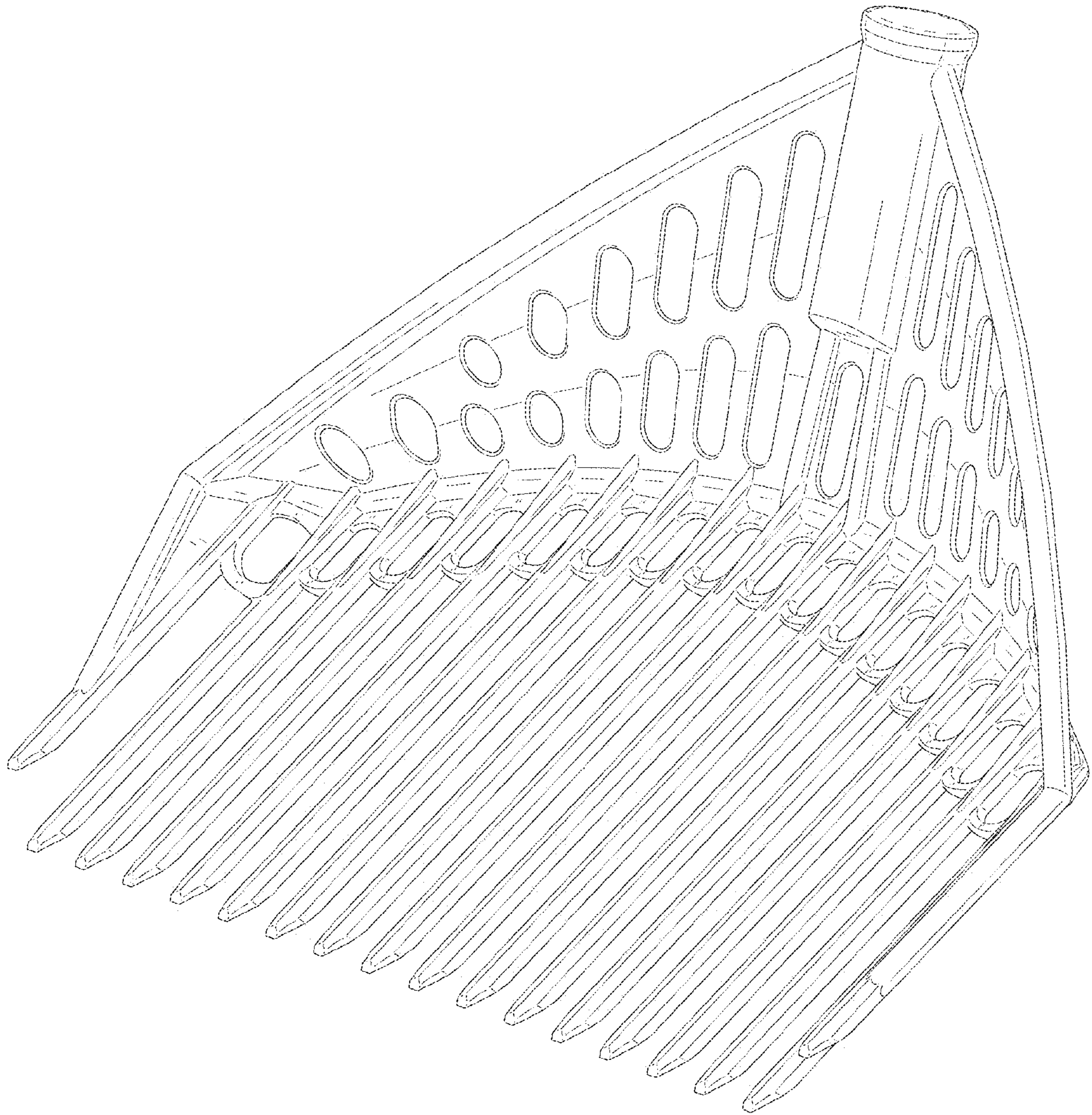


FIG. 1

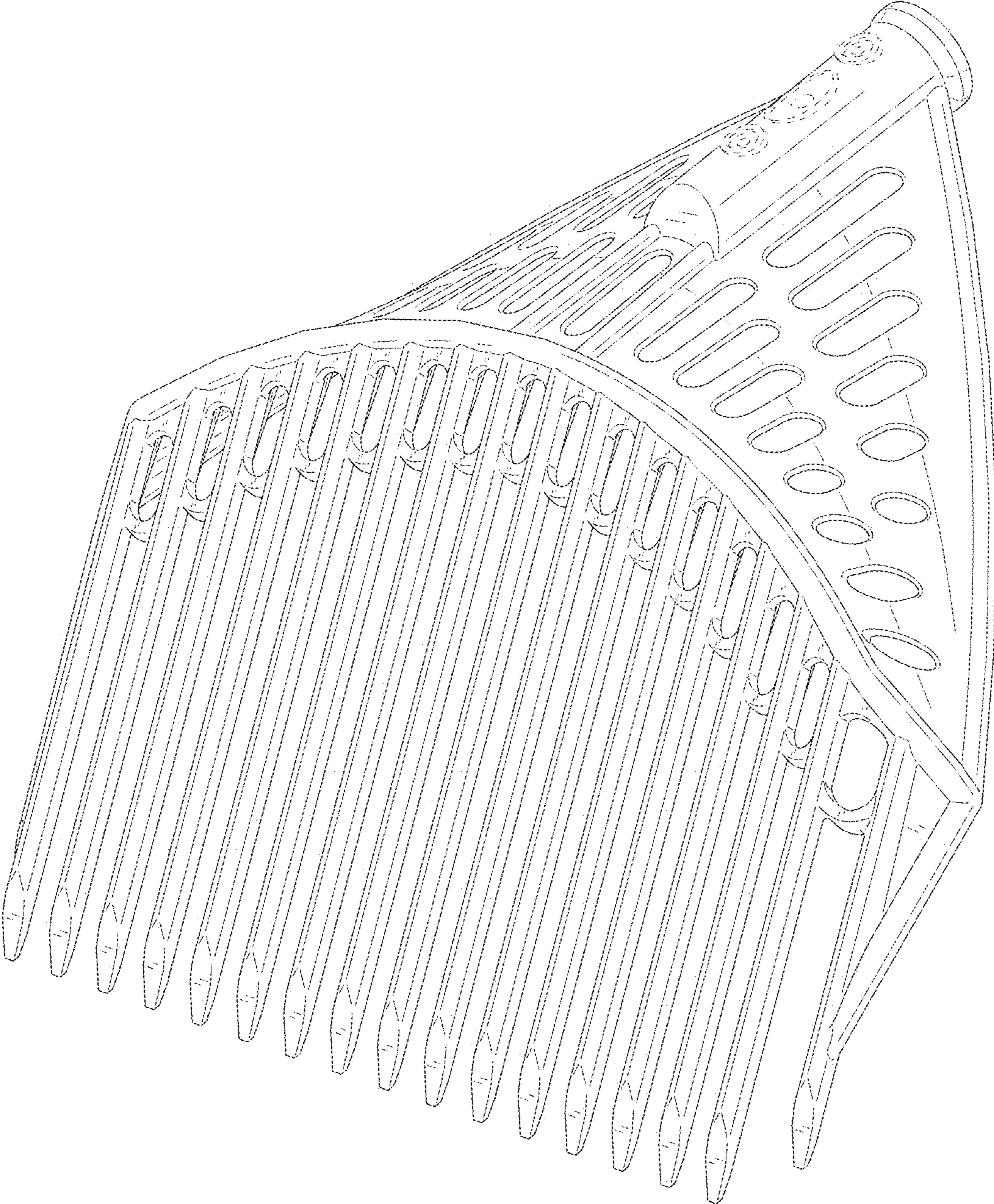


FIG. 2

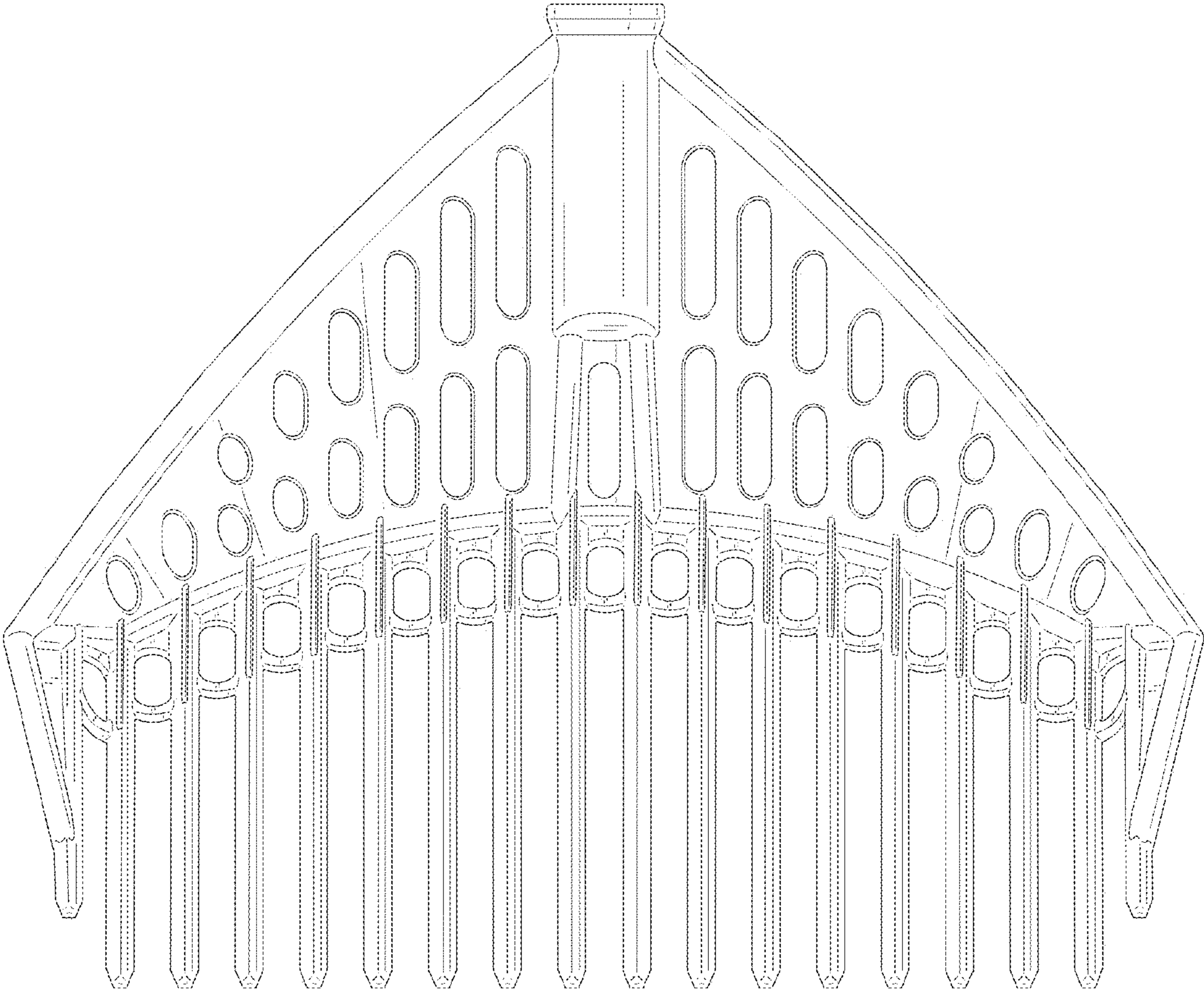


FIG. 3

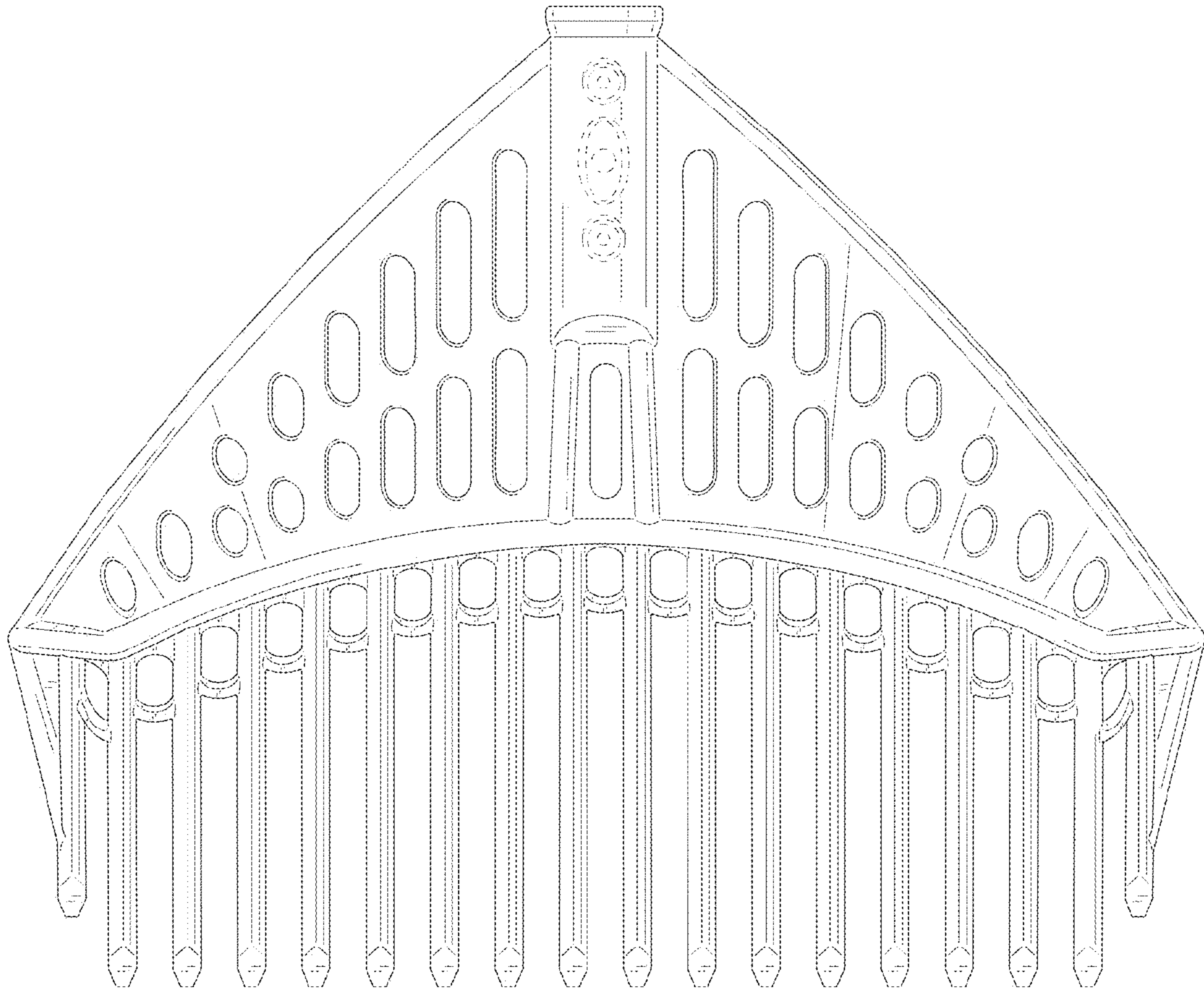


FIG. 4

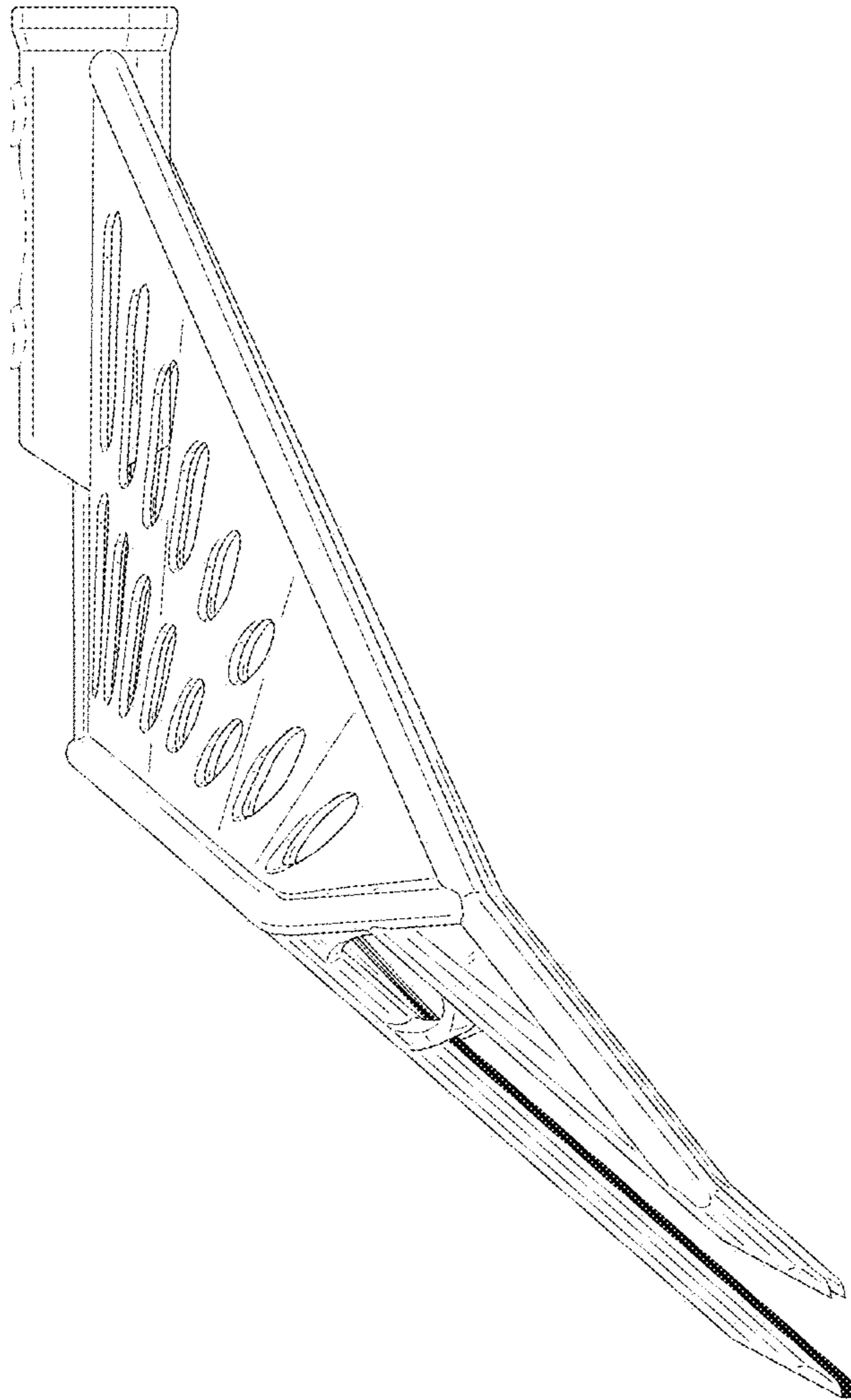


FIG. 5

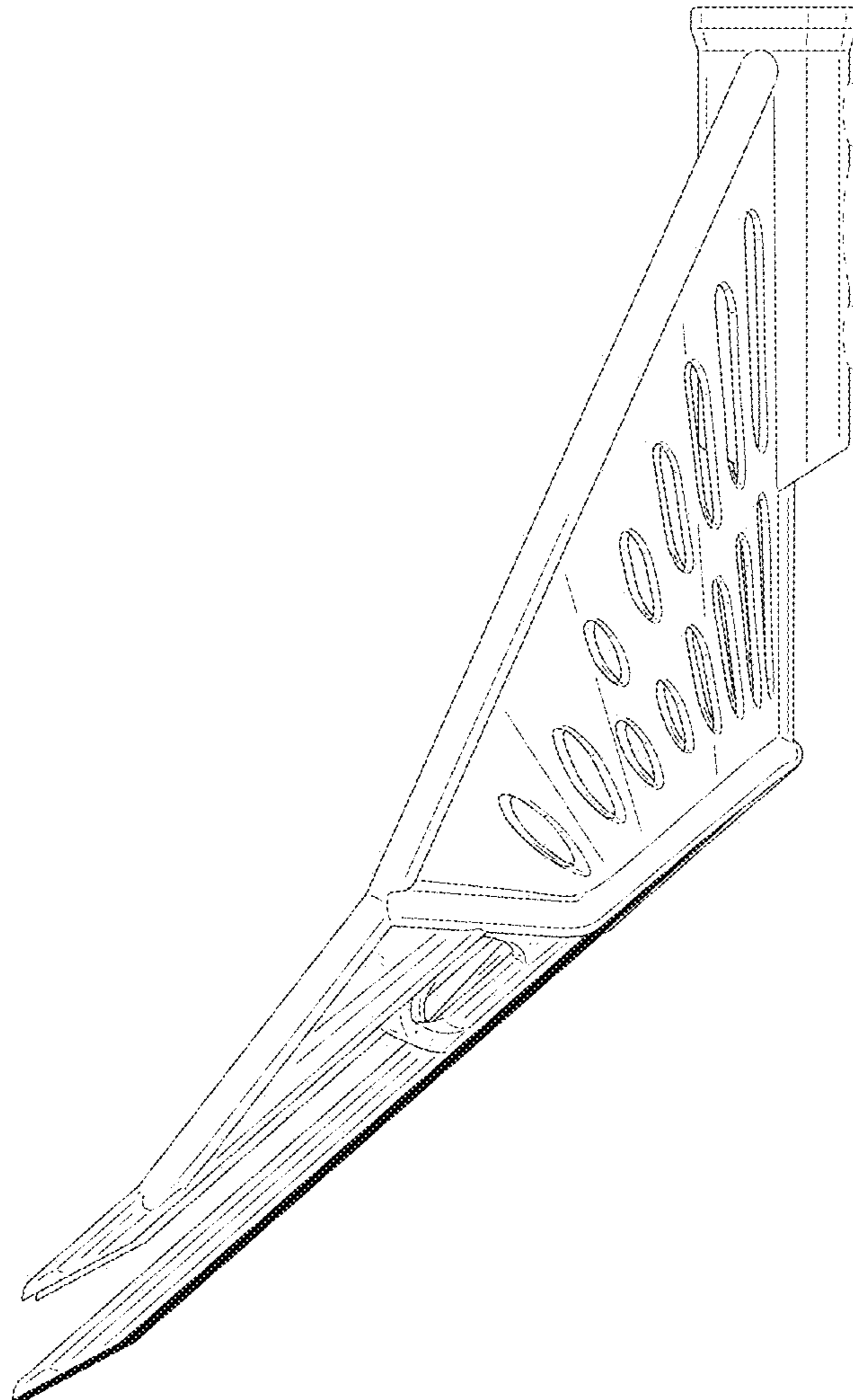


FIG. 6

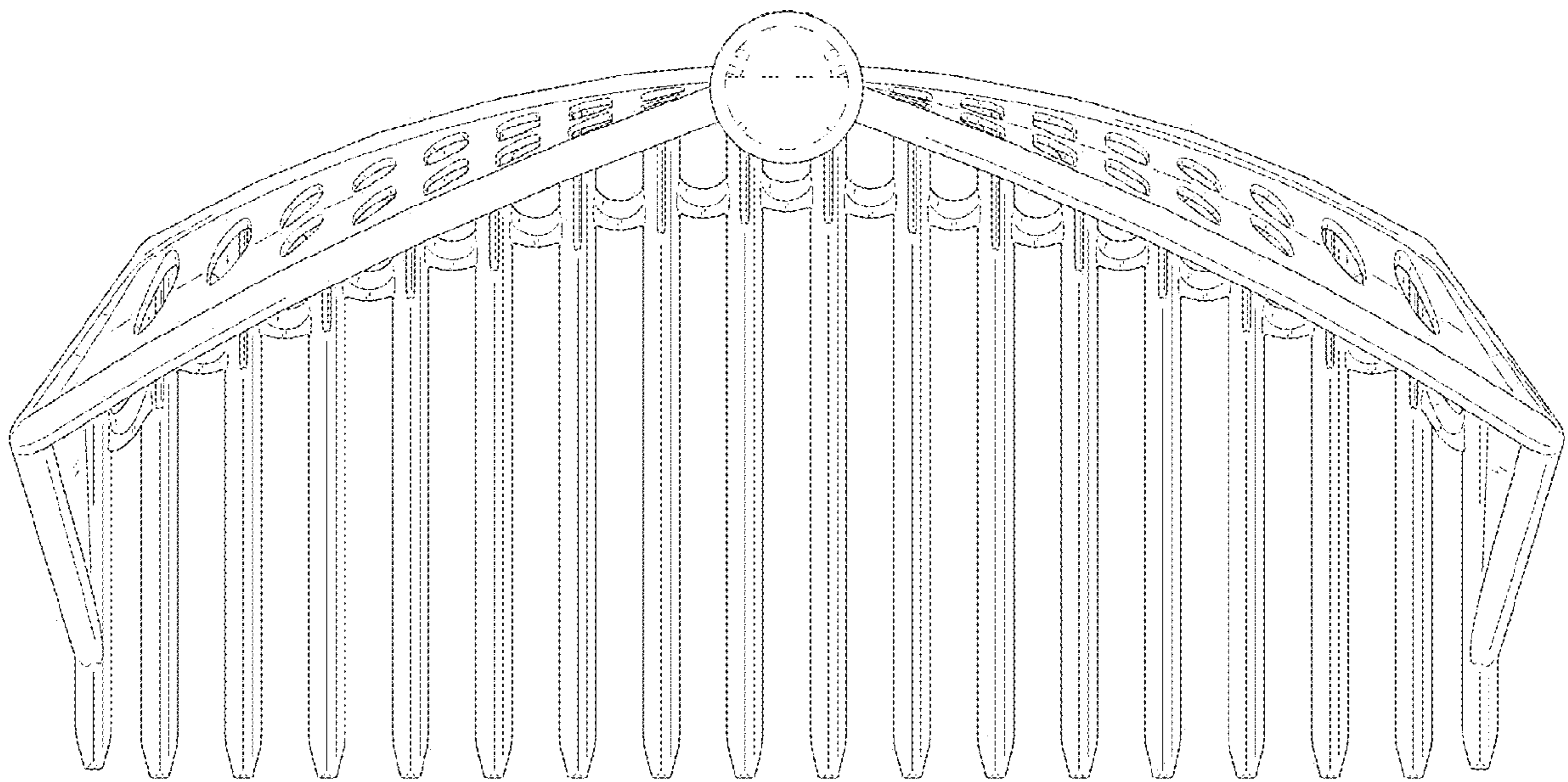


FIG. 7

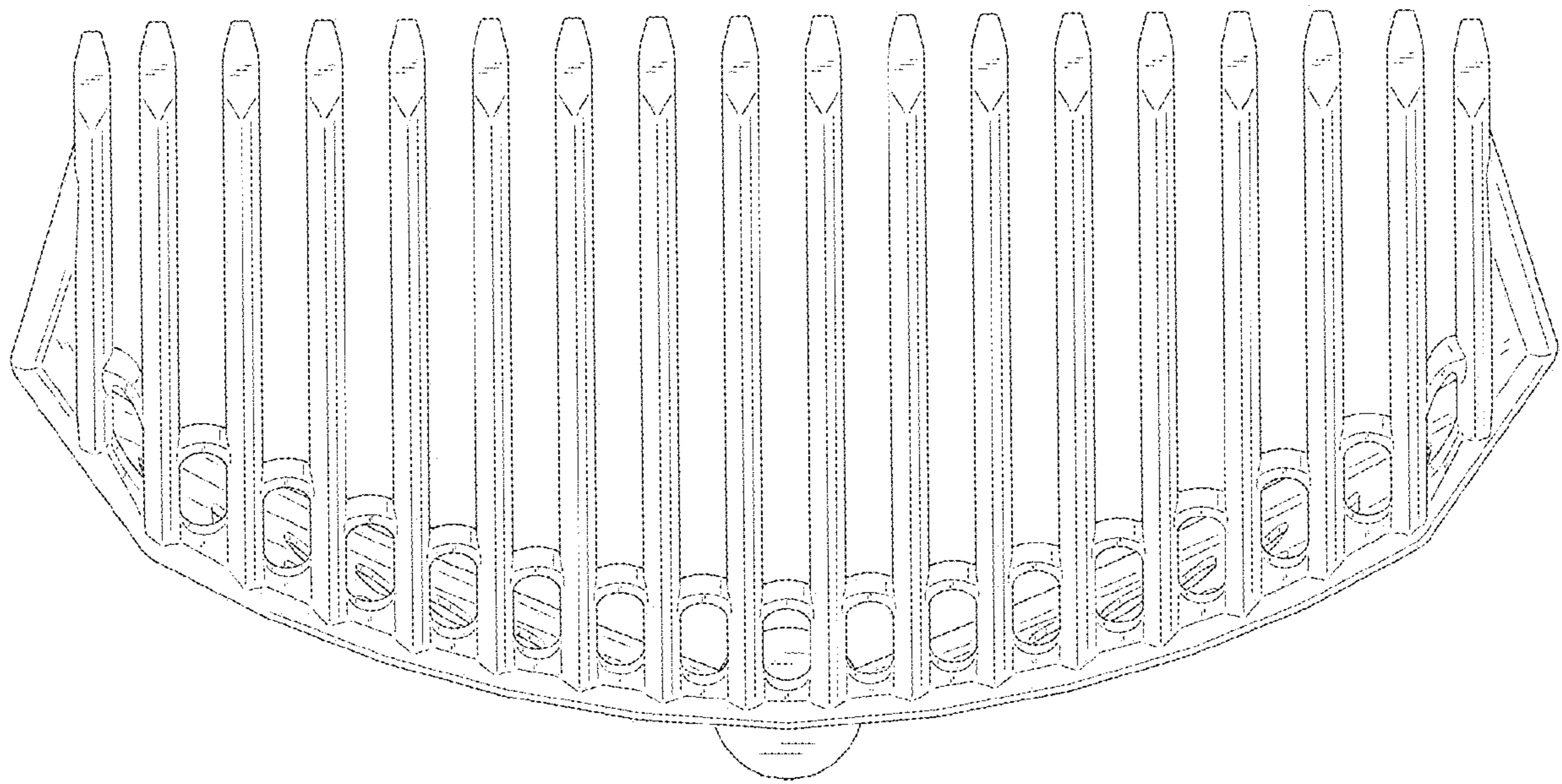


FIG. 8

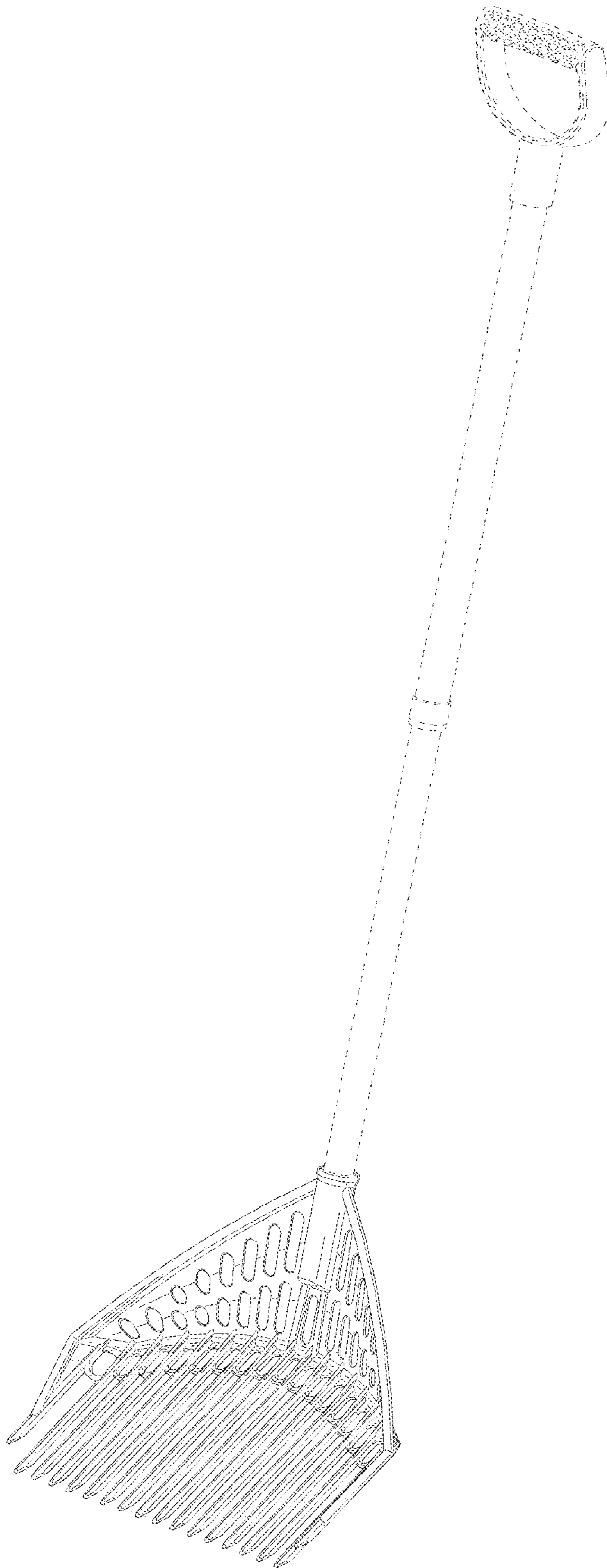


FIG. 9

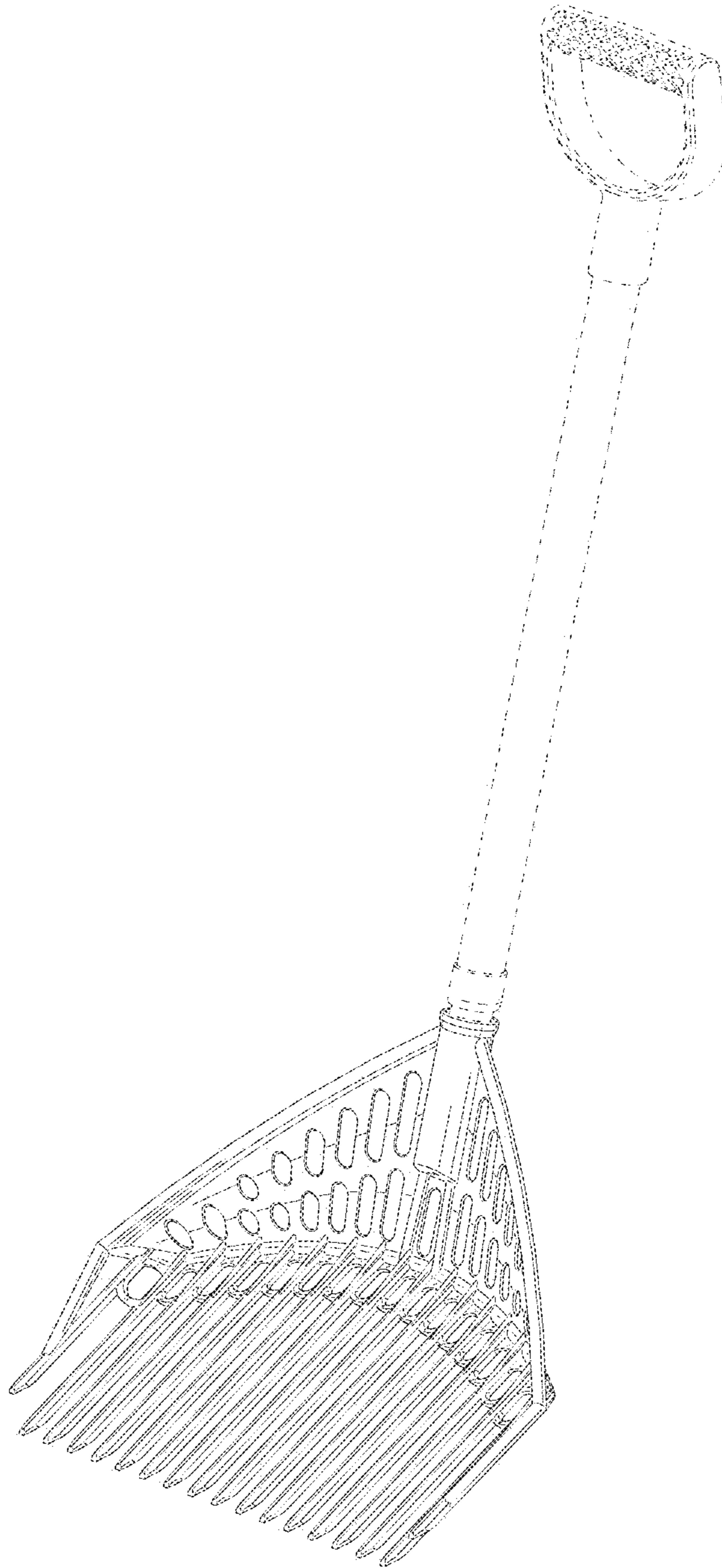


FIG. 10