



US00D989578S

(12) **United States Design Patent** (10) **Patent No.:** **US D989,578 S**
Weiss (45) **Date of Patent:** **** Jun. 20, 2023**

(54) **LUNCHBOX**
(71) Applicant: **Unique Plastics Inc.**, Brooklyn, NY (US)
(72) Inventor: **Sarah Weiss**, Brooklyn, NY (US)
(73) Assignee: **Unique Plastics, Inc.**, Brooklyn, NY (US)
(**) Term: **15 Years**
(21) Appl. No.: **29/797,463**
(22) Filed: **Jun. 30, 2021**
(51) **LOC (14) Cl.** **07-02**
(52) **U.S. Cl.**
USPC **D7/709**
(58) **Field of Classification Search**
USPC D7/601, 629, 550.1, 551.1, 551.2, 551.3, D7/552.1, 552.2, 553.1, 553.2, 553.3, D7/553.4, 553.5, 553.7, 553.8, 554.1, D7/554.3, 554.4, 555, 557, 630, 538-542, D7/612-615, 584, 586, 587, 392.1, 709, D7/502, 608, 622; D9/424-432, 737, D9/759, 761; D3/273, 274, 201-206, D3/276, 283, 284, 295, 302
CPC B65D 1/36; B65D 25/04; B65D 21/0206; B65D 2543/00175; B65D 2543/00296
See application file for complete search history.

D944,608 S * 3/2022 Lu D7/703
D977,918 S * 2/2023 Xu D7/703
D977,921 S * 2/2023 Xu D7/629
2015/0190919 A1* 7/2015 Chang A44B 11/28
206/349
2017/0086550 A1* 3/2017 Caro A45C 13/26

OTHER PUBLICATIONS

Lunchart Lunch Box | posted at Amazon.com, posted on Jun. 23, 2021, © 1996-2023 Amazon.com, [online], [site visited Jun. 5, 2022]. Available from Internet, <URL: <https://www.amazon.com/dp/B097Q8F23L/?th=1>> (Year: 2021).*

* cited by examiner

Primary Examiner — Andrew Kerr
(74) *Attorney, Agent, or Firm* — Goldberg Cohen LLP

(57) **CLAIM**

The ornamental design for a lunchbox, as shown and described.

DESCRIPTION

FIG. 1 is a perspective view of a lunchbox, showing my new design;
FIG. 2 is a further perspective view thereof;
FIG. 3 is a front thereof;
FIG. 4 is a back view thereof;
FIG. 5 is a right side view thereof;
FIG. 6 is a left side view thereof;
FIG. 7 is a top view thereof; and,
FIG. 8 a bottom view thereof.
The broken lines depict features of the article that form no part of the claimed design.

1 Claim, 8 Drawing Sheets

(56) **References Cited**
U.S. PATENT DOCUMENTS
D259,167 S * 5/1981 Daenen D7/709
D376,738 S * 12/1996 Wang D7/709
D485,437 S * 1/2004 Lee D3/282
D633,294 S * 3/2011 Jamison D3/282
D796,920 S * 9/2017 Staton D7/629
D831,445 S * 10/2018 Karger D7/703

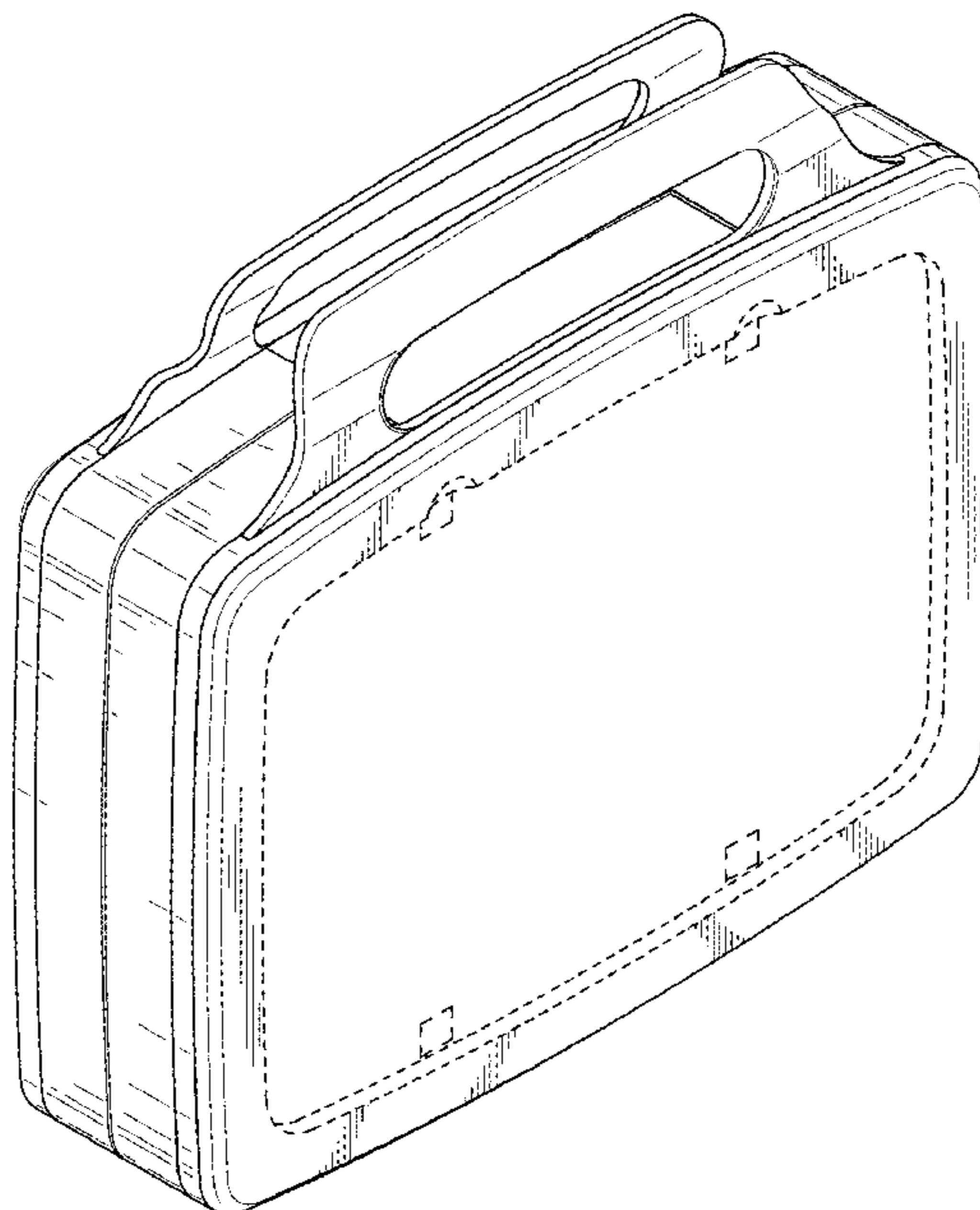


FIG. 1

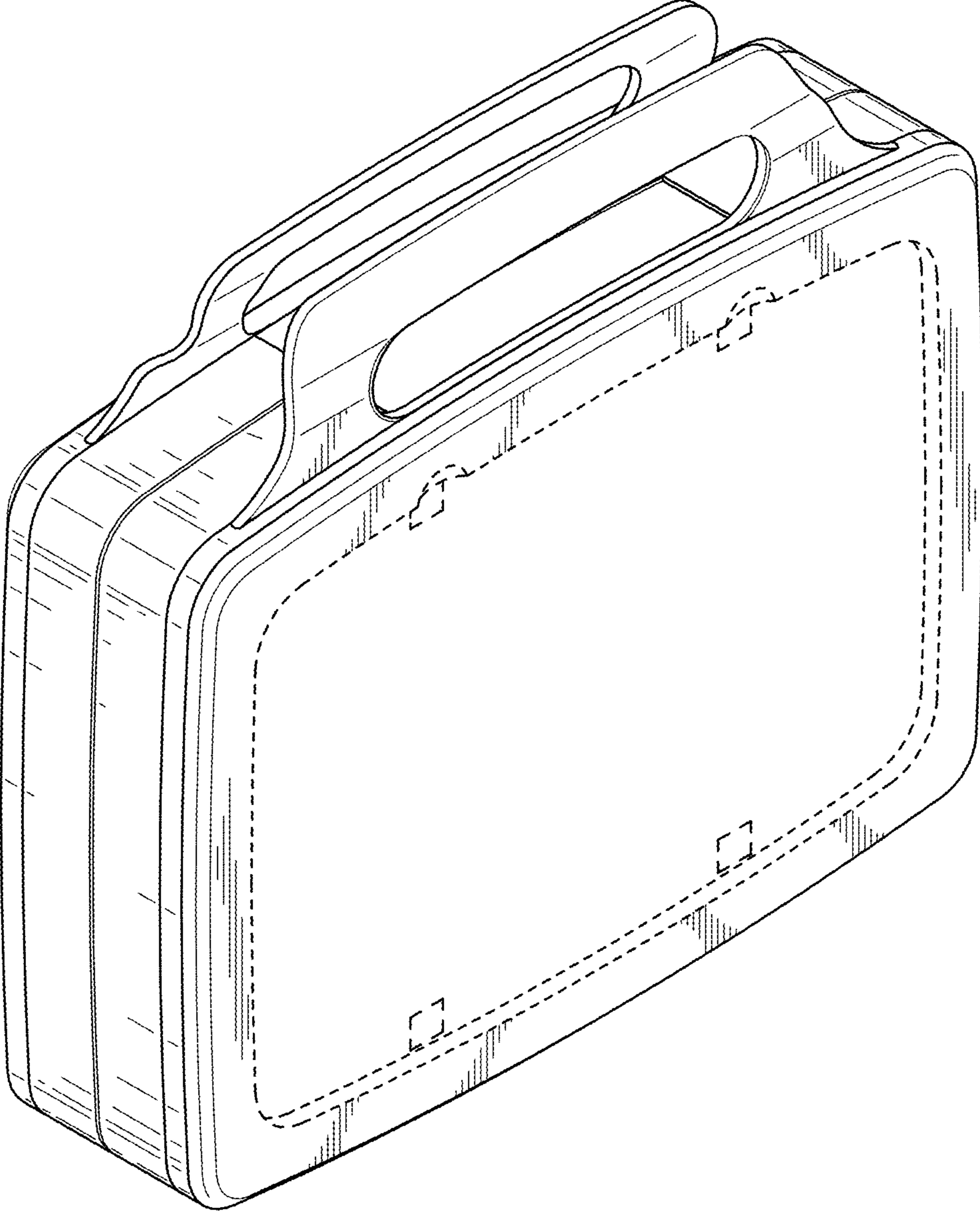


FIG. 2

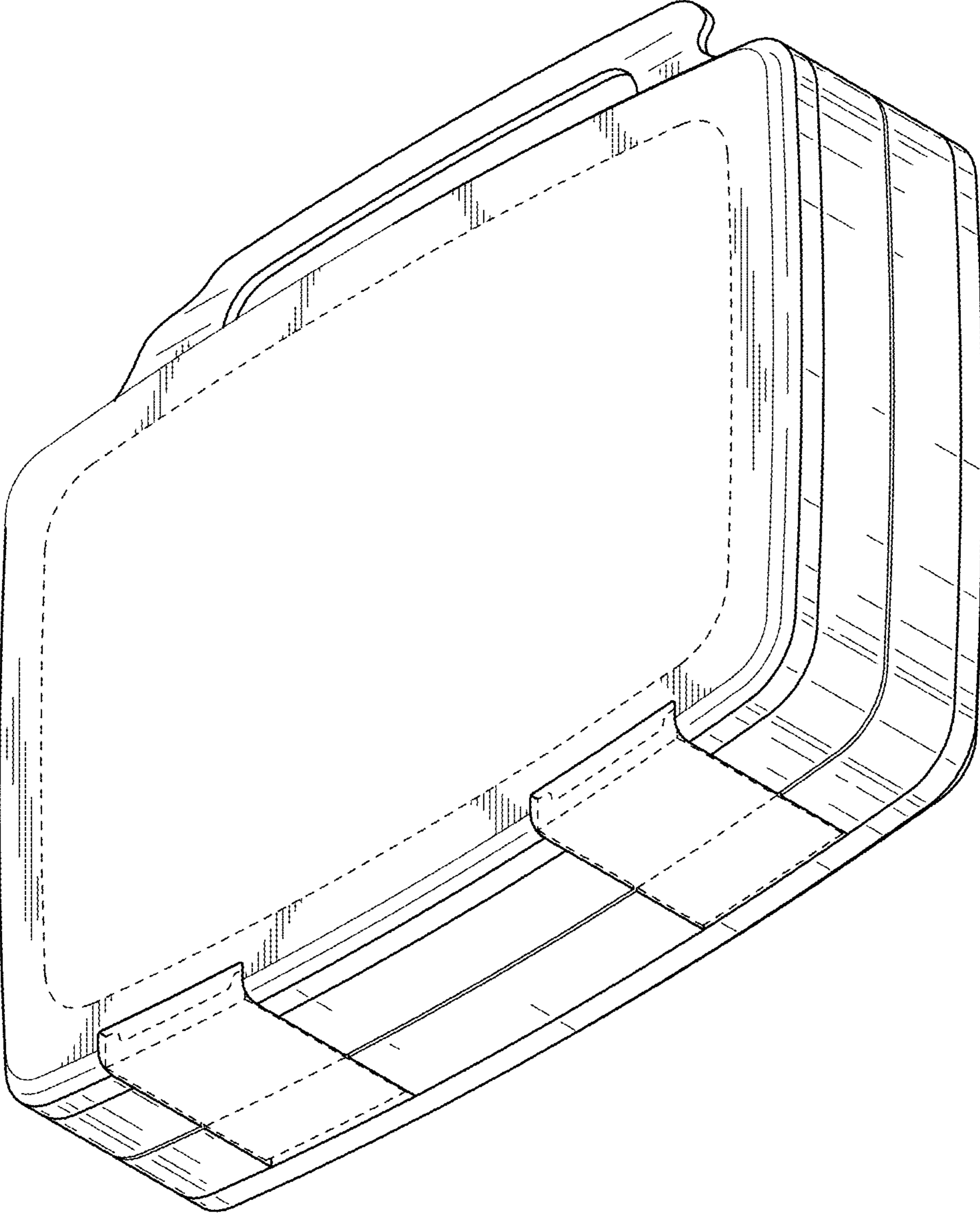


FIG. 3

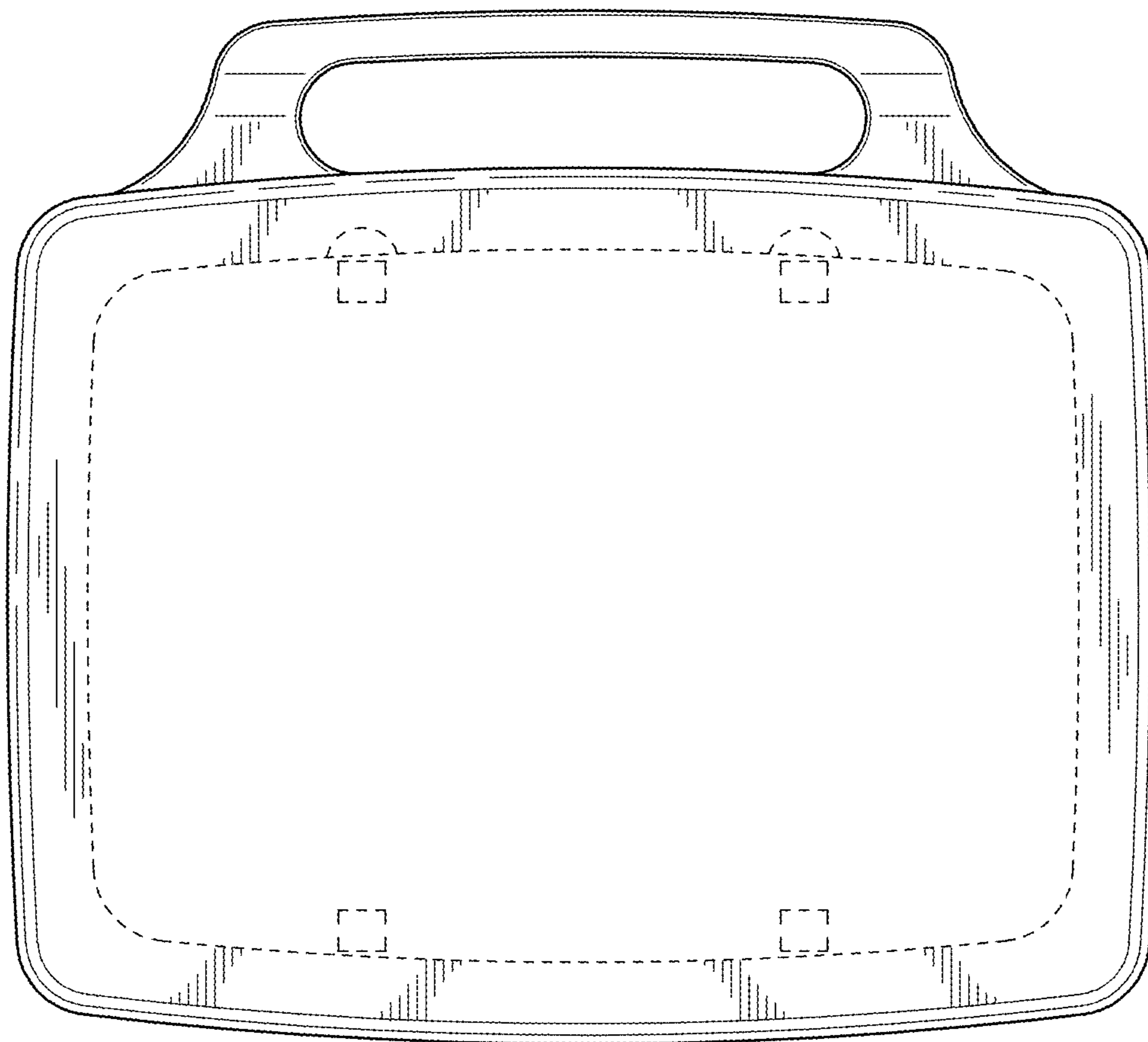


FIG. 4

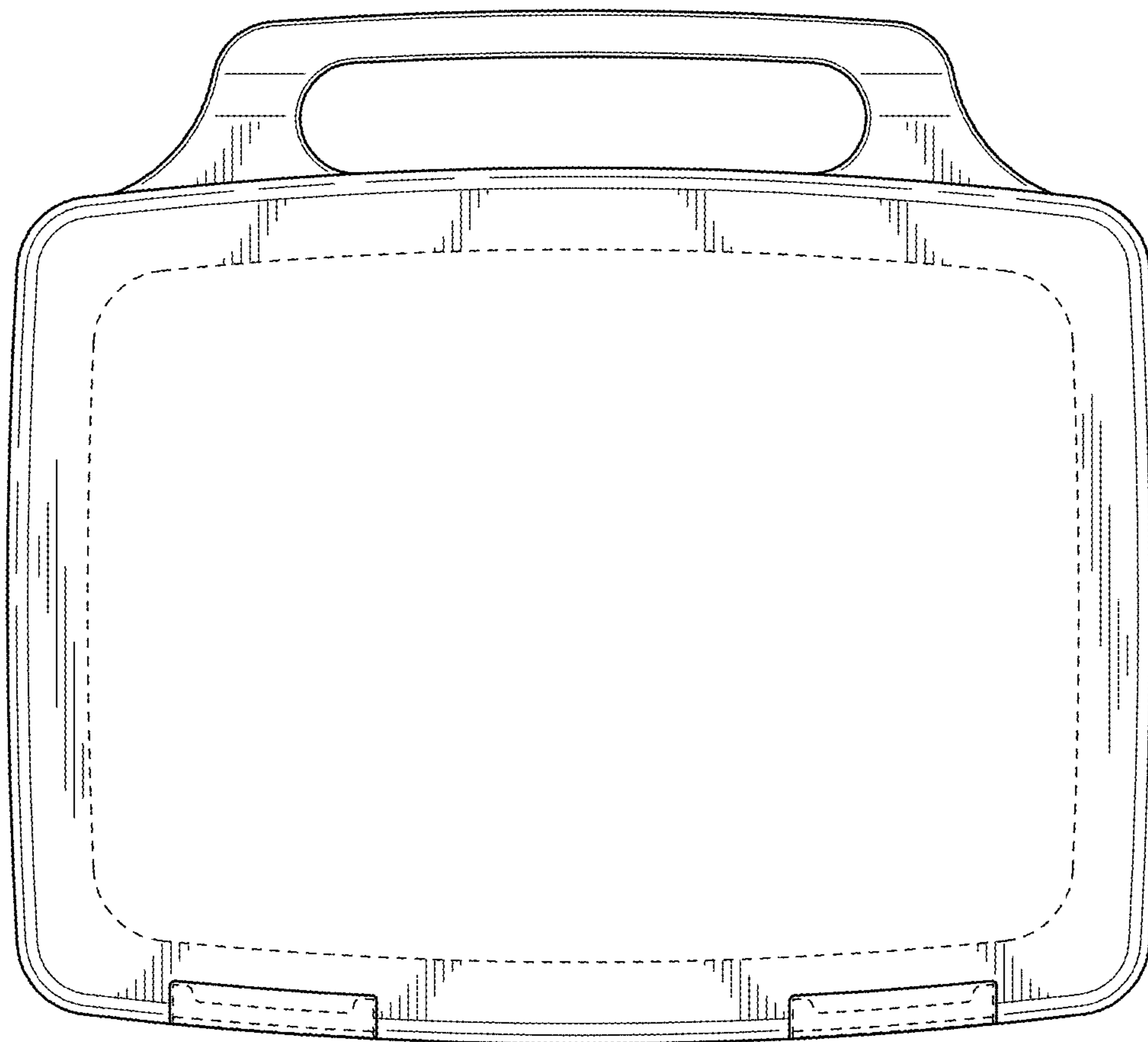


FIG. 5

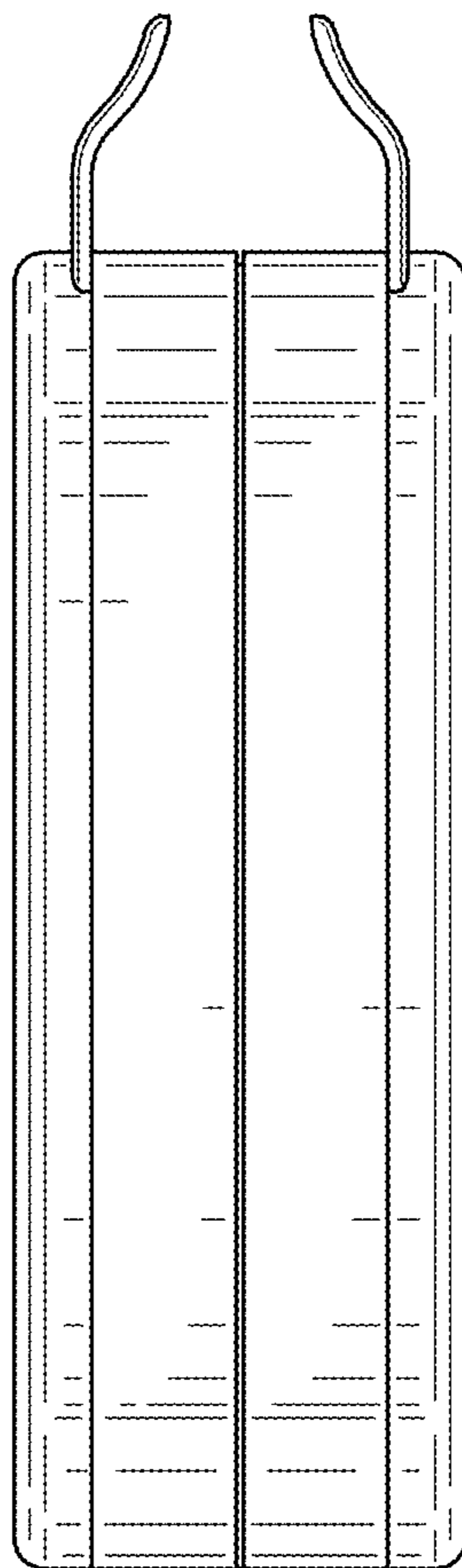


FIG. 6

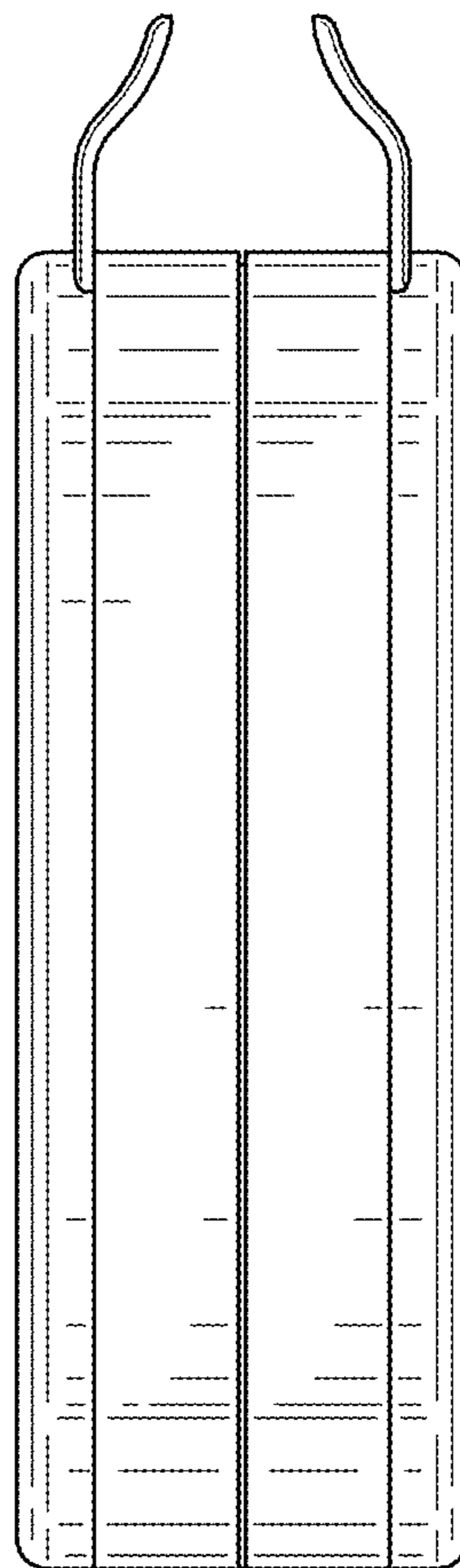


FIG. 7

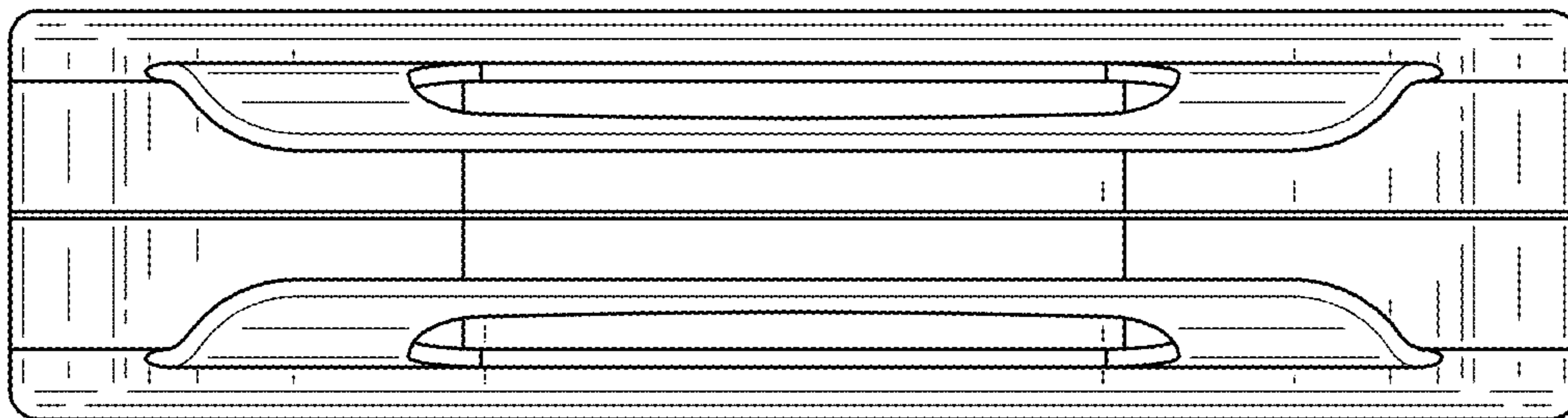


FIG. 8

