



US00D989577S

(12) **United States Design Patent**
Vishnuraj et al.

(10) **Patent No.:** **US D989,577 S**
(45) **Date of Patent:** **** Jun. 20, 2023**

(54) **FOOD PROCESSOR**

D694,074 S * 11/2013 Wong D7/678
9,370,777 B2 * 6/2016 Backaert F16B 1/0071
D773,905 S * 12/2016 Dichraff D7/693

(71) Applicant: **Regal Ware, Inc.**, Kewaskum, WI (US)

(72) Inventors: **Puthan Purayil Vishnuraj**, Kozhikode (IN); **Kiran Krishnarao**, Kilpauk (IN); **Ana Paula Perez Cerezo**, Dallas, TX (US); **Cory Coenen**, West Bend, WI (US)

OTHER PUBLICATIONS

Amazon.com, Vegetable Cutter Multifunctional Hand Crank Vegetable Cutter, Yosoo Store, ASIN: B08NW68H9M, 8 pages, first date available Nov. 25, 2020. (Year: 2020).*

* cited by examiner

(73) Assignee: **Regal Ware, Inc.**, Kewaskum, WI (US)

Primary Examiner — Terry A Wallace

(**) Term: **15 Years**

(74) *Attorney, Agent, or Firm* — Reinhart Boerner Van Deuren s.c.

(21) Appl. No.: **29/762,840**

(57) **CLAIM**

(22) Filed: **Dec. 18, 2020**

We claim the ornamental design for a food processor, as shown and described.

(51) **LOC (14) Cl.** **07-04**

(52) **U.S. Cl.**
USPC **D7/693; D7/383**

DESCRIPTION

(58) **Field of Classification Search**
USPC D7/368, 669, 680–696, 372, 373, 381, D7/383, 384

CPC A47J 43/255; A47J 43/07; A47J 19/00; B26D 7/0641; B26D 1/29; B26D 1/43; B26D 7/0608; G05G 1/085

See application file for complete search history.

FIG. 1 is a front perspective view of a food processor showing our new design.

FIG. 2 is a rear perspective view from above of the claimed design of FIG. 1;

FIG. 3 is a front view of the claimed design of FIG. 1;

FIG. 4 is a rear view of the claimed design of FIG. 1;

FIG. 5 is a right side view of the claimed design of FIG. 1;

FIG. 6 is a left side view of the claimed design of FIG. 1;

FIG. 7 is a top view of the claimed design of FIG. 1; and,

FIG. 8 is a bottom view of the claimed design of FIG. 1.

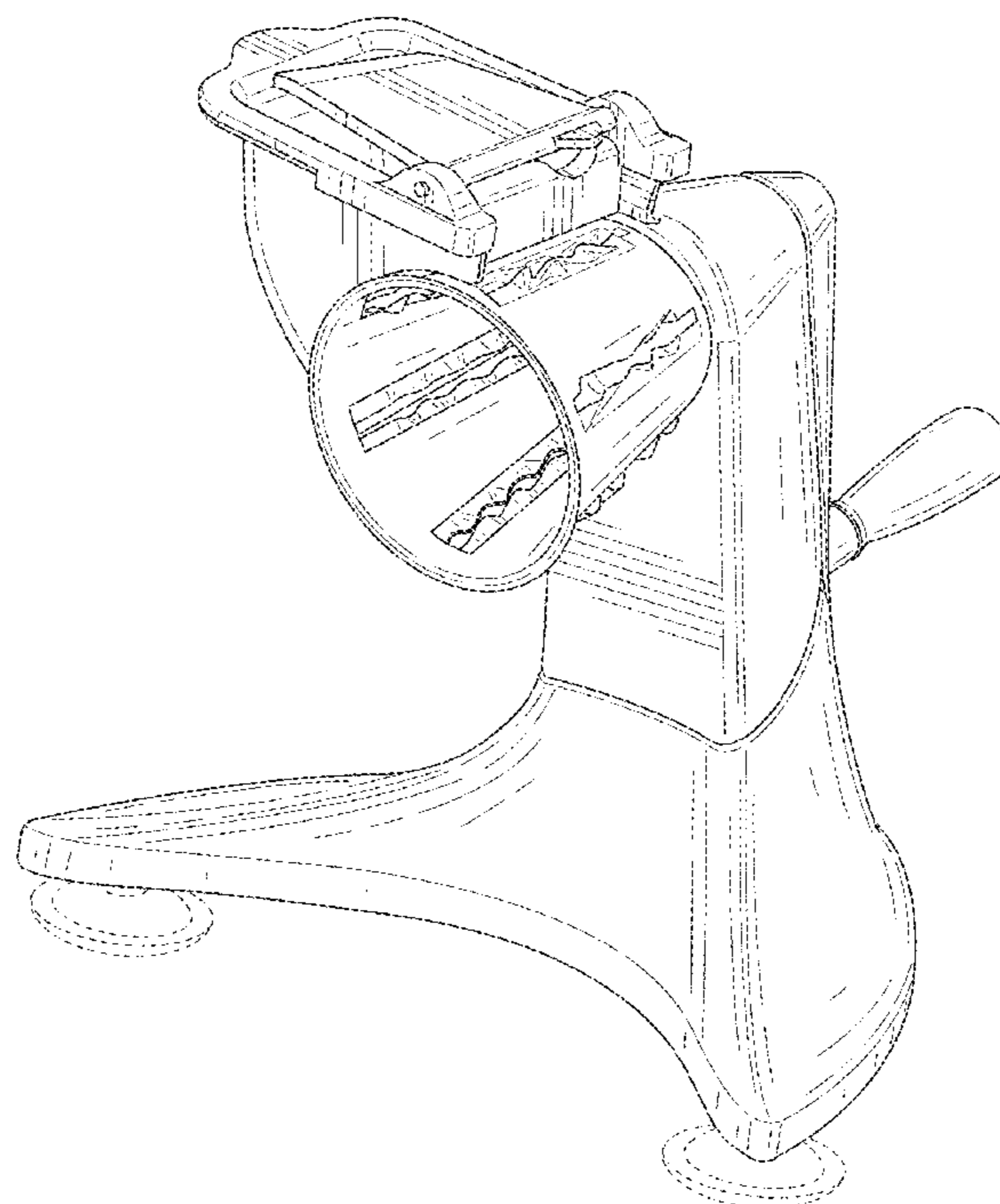
The ornamental design which is claimed is shown in solid lines in the drawings. The broken lines in the drawings are for illustrative purposes only and form no part of the claimed design.

(56) **References Cited**

U.S. PATENT DOCUMENTS

D156,557 S * 12/1949 Piker D7/383
D162,997 S * 4/1951 Talge D7/372
2,713,367 A * 7/1955 Aberer A47J 43/255
241/282.1
3,610,304 A * 10/1971 Popeil B26D 7/0608
241/273.1

1 Claim, 8 Drawing Sheets



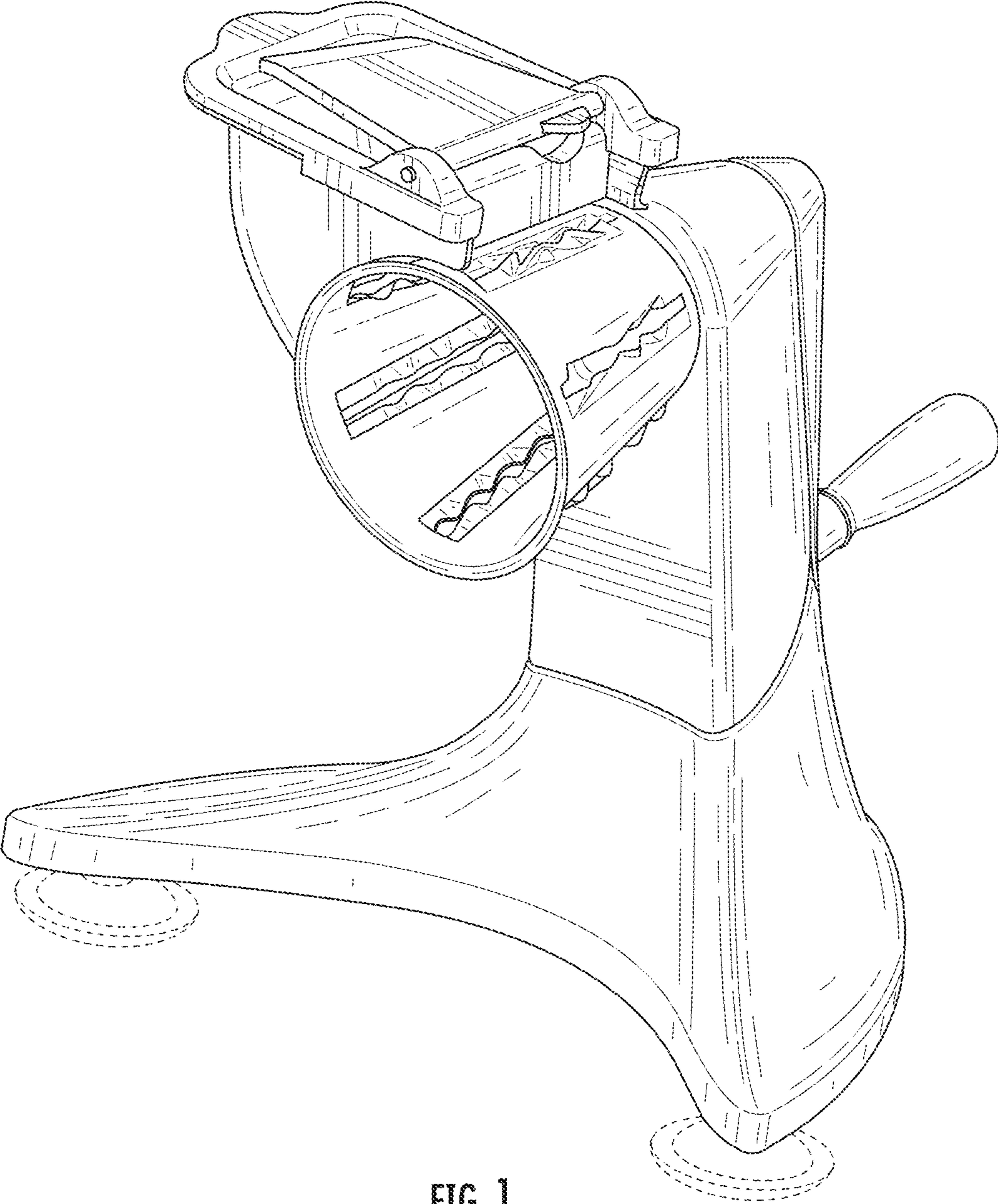


FIG. 1



FIG. 2

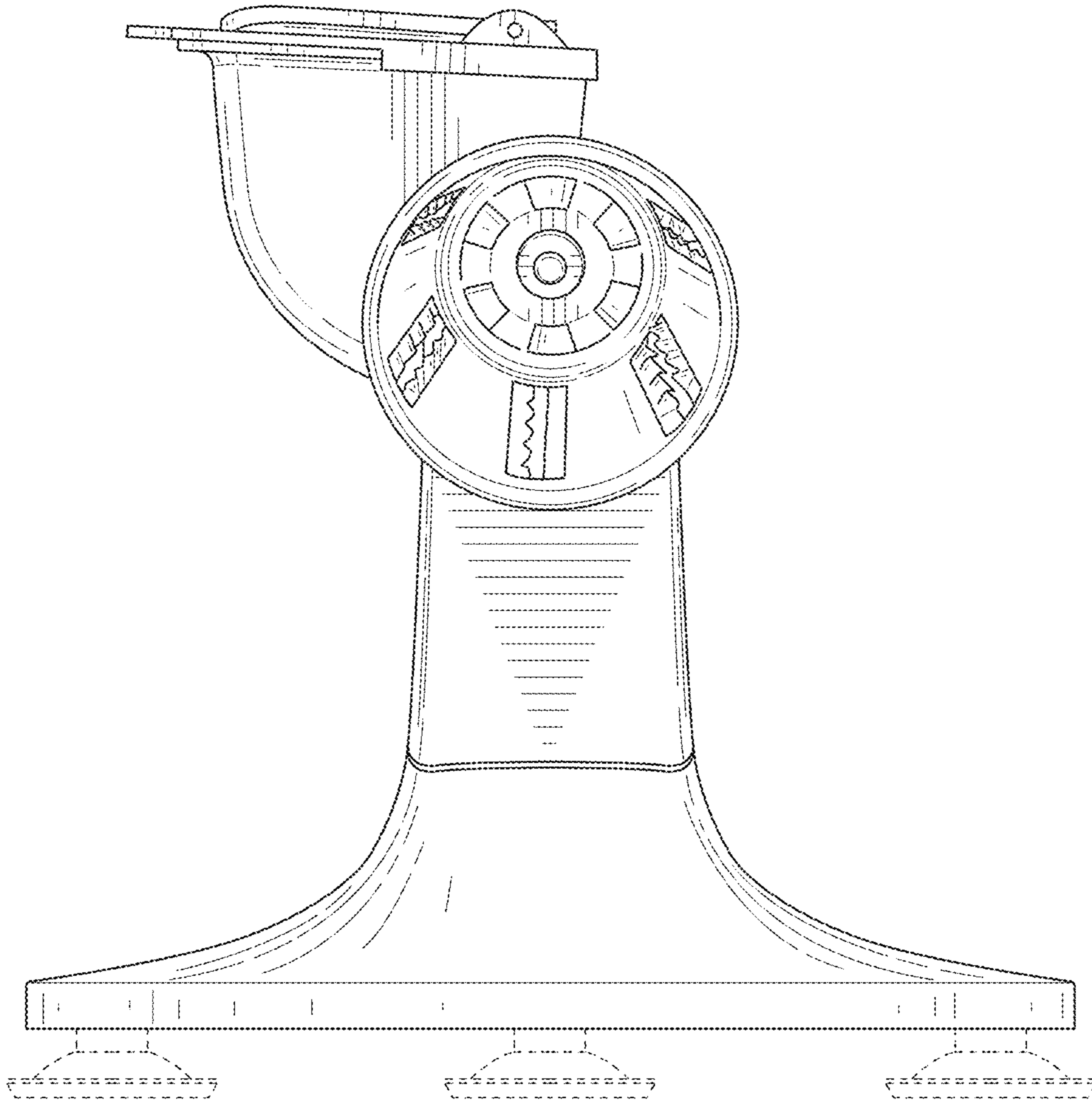


FIG. 3

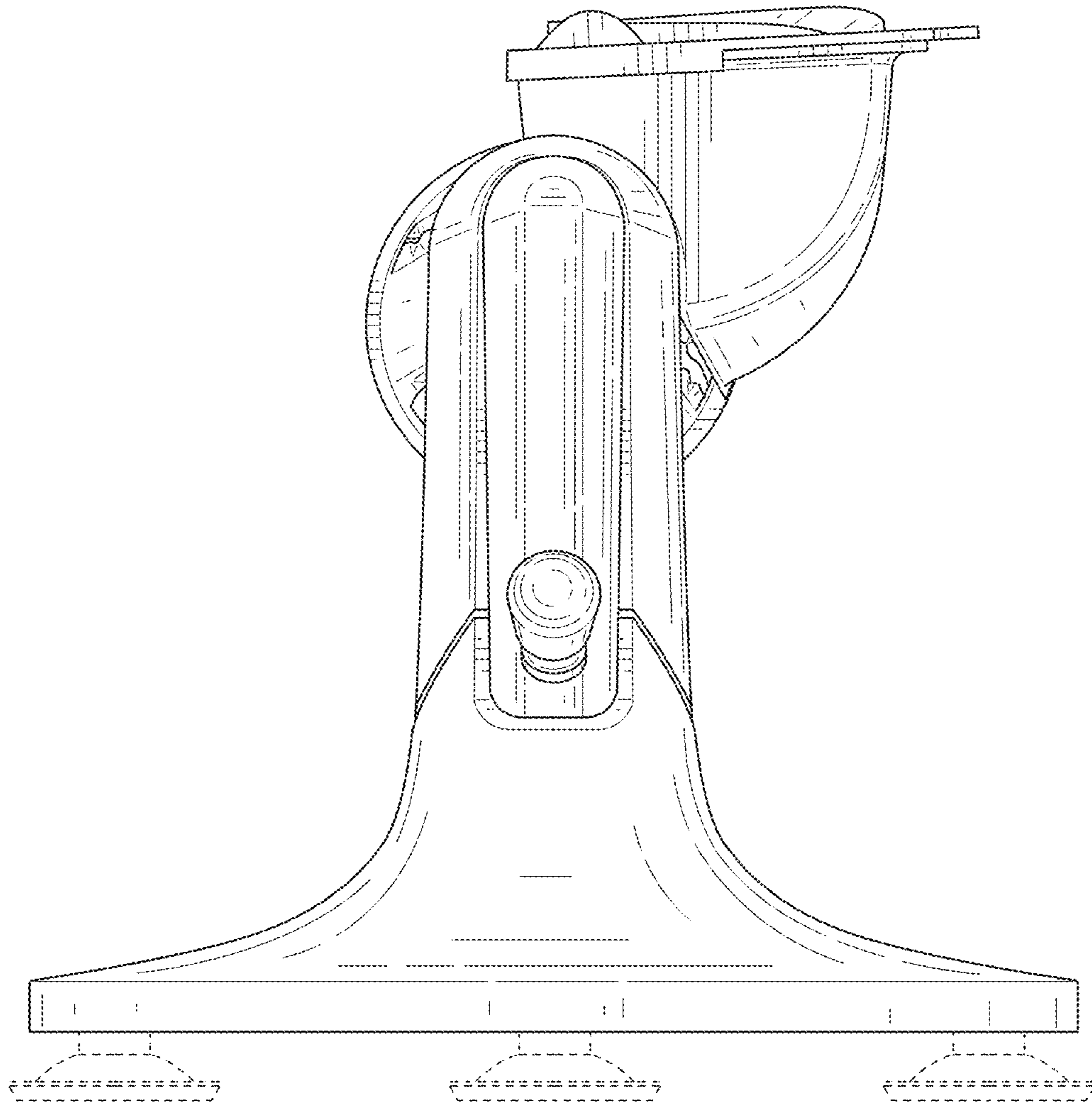


FIG. 4

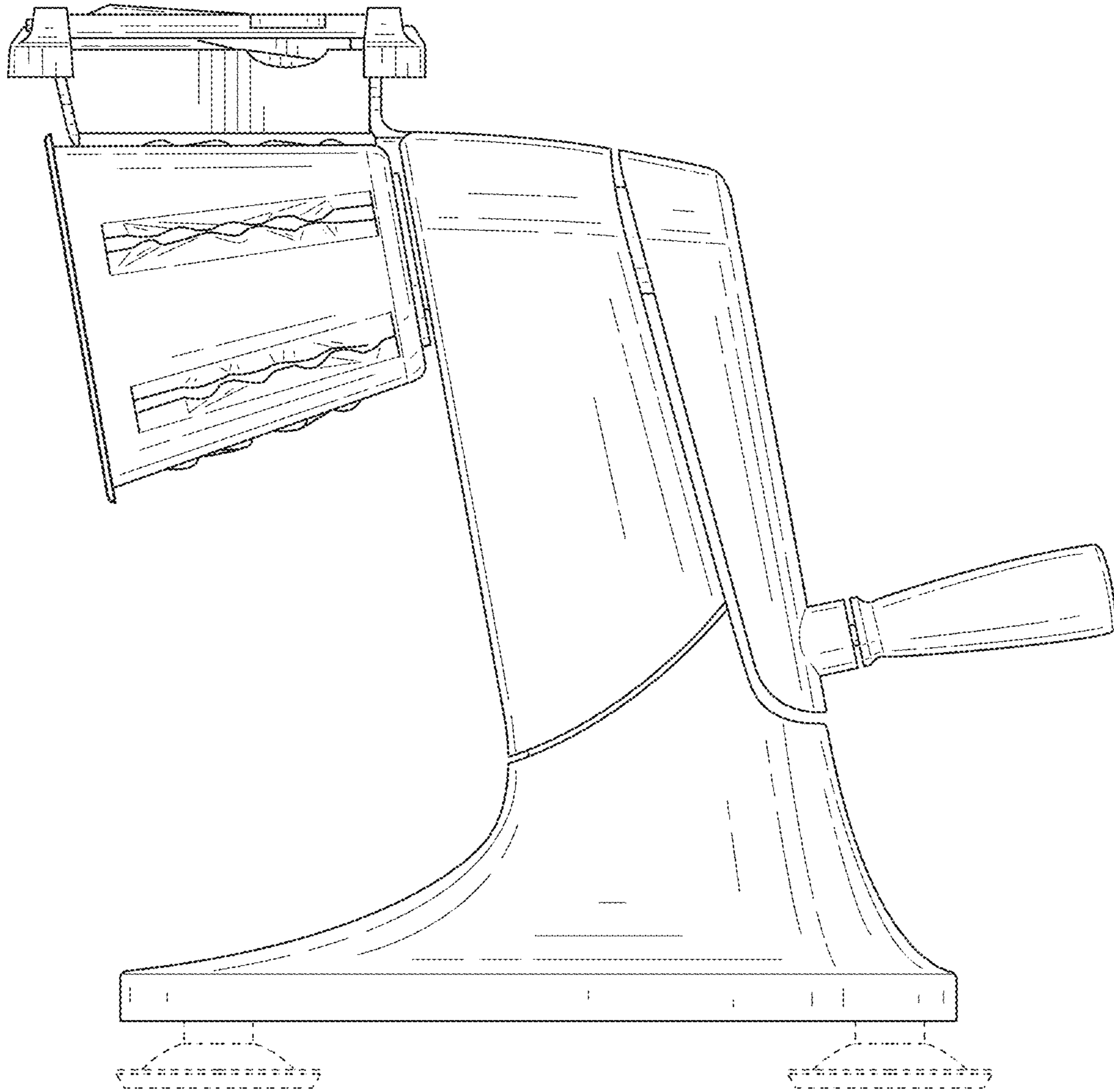


FIG. 5

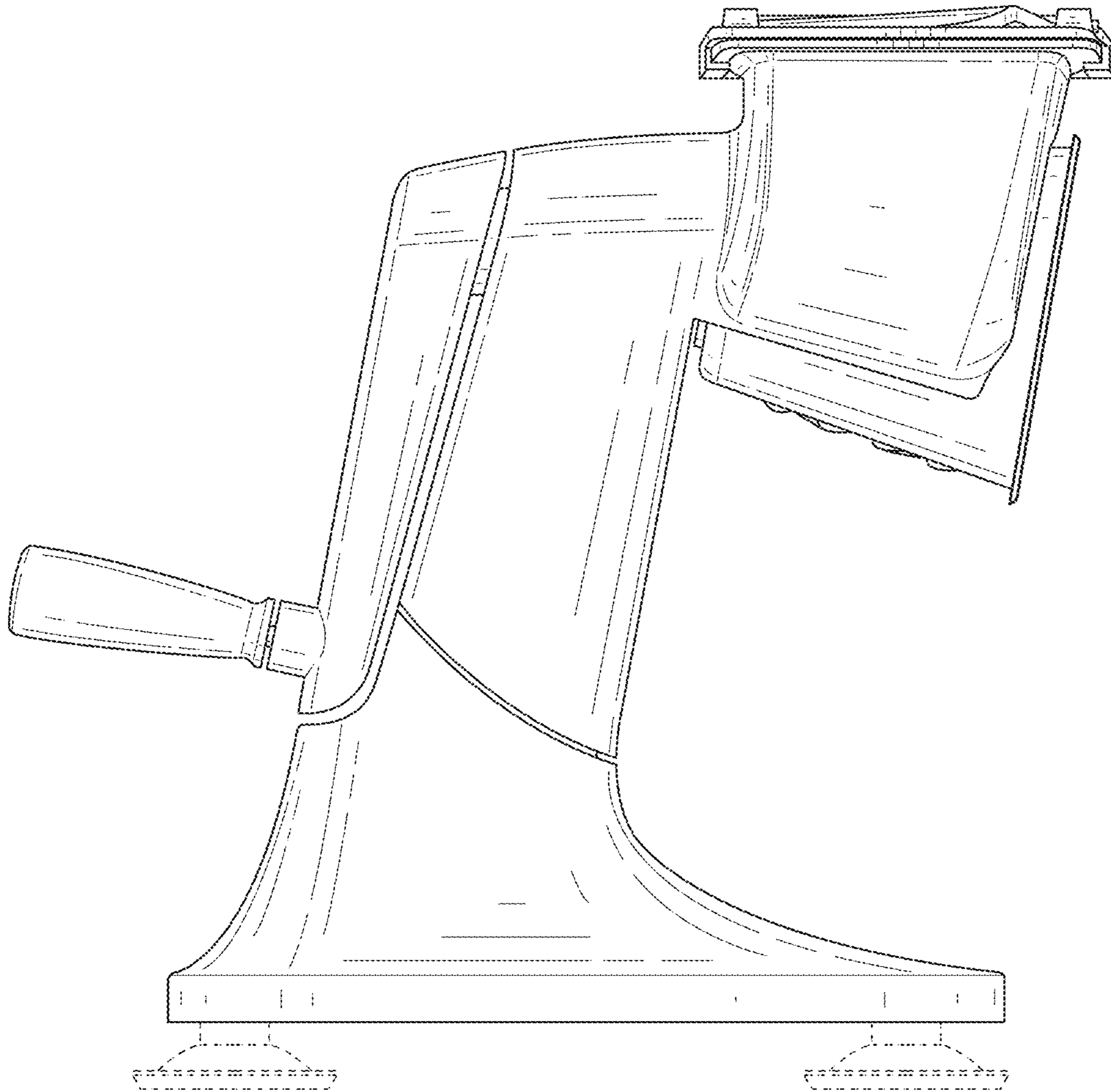


FIG. 6

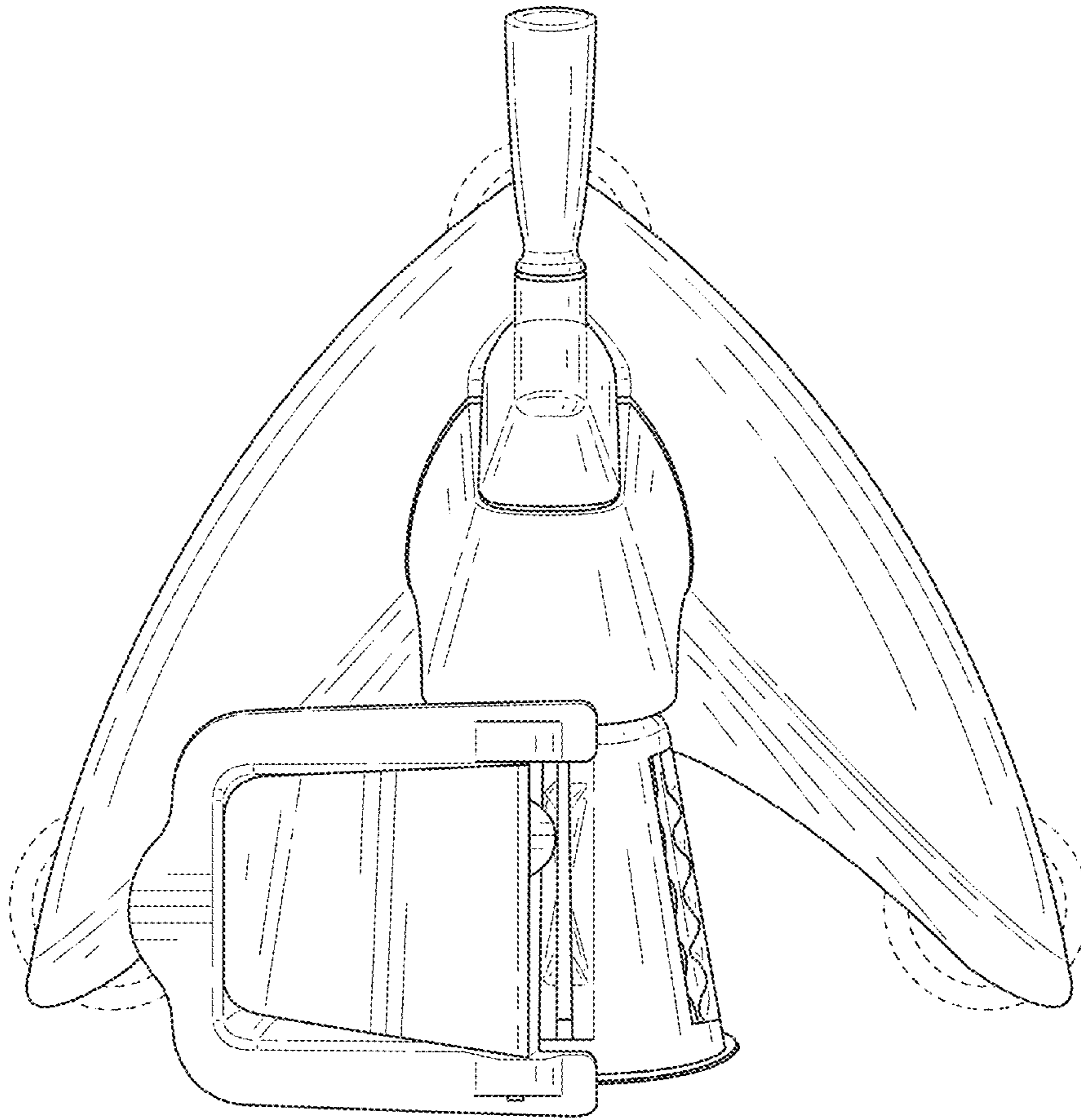


FIG. 7

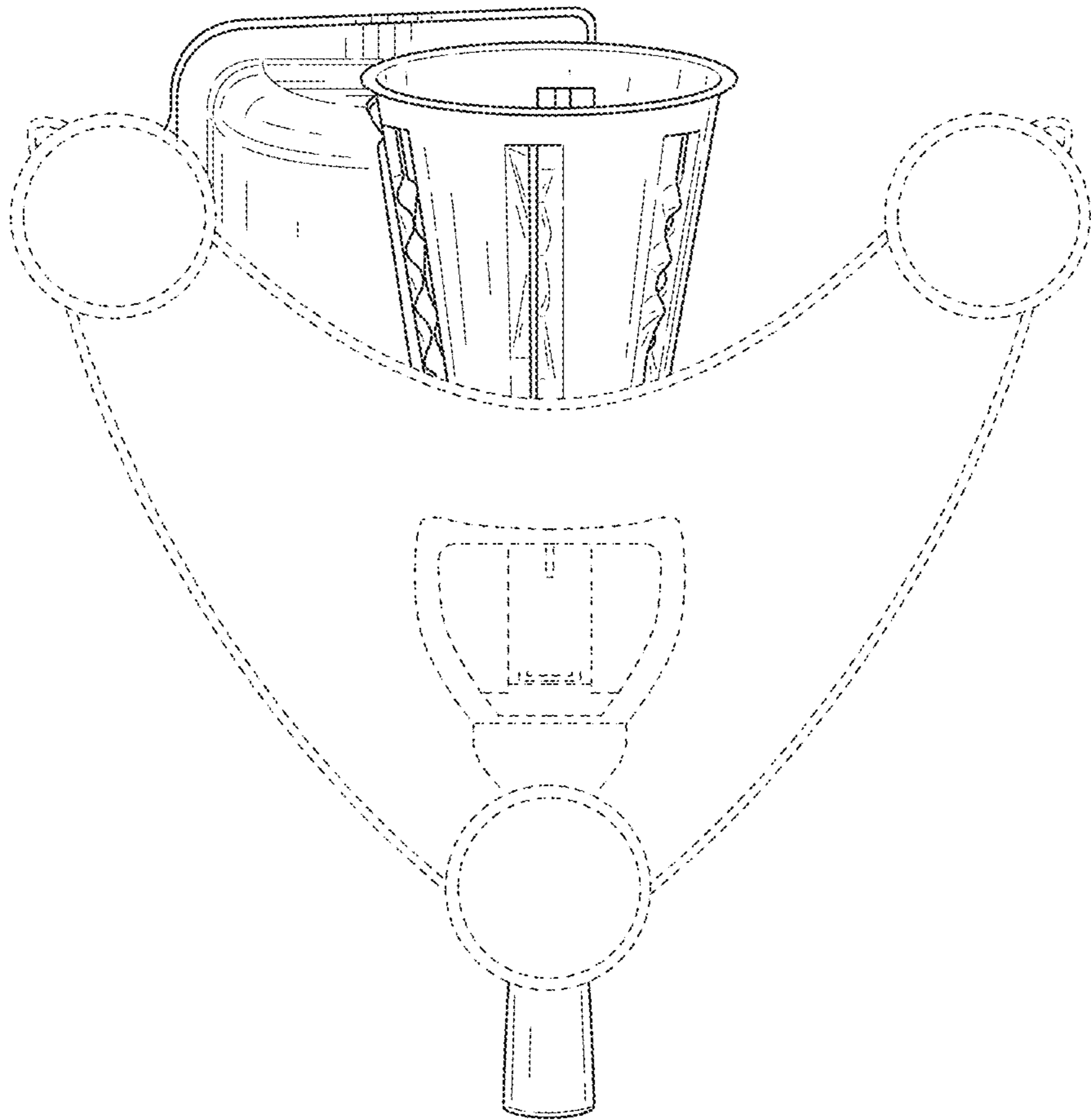


FIG. 8