



US00D989568S

(12) **United States Design Patent**
Nozawa

(10) **Patent No.:** **US D989,568 S**

(45) **Date of Patent:** **** Jun. 20, 2023**

(54) **FOOD CONTAINER**

(71) Applicants: **KSFP International**, South Pasadena, CA (US); **KENSAN Co., Ltd**, Tokyo (JP)

(72) Inventor: **Sei Nozawa**, Pasadena, CA (US)

(73) Assignees: **KSFP International**, South Pasadena, CA (US); **KENSAN CO., LTD**, Tokyo (JP)

(**) Term: **15 Years**

(21) Appl. No.: **29/823,764**

(22) Filed: **Jan. 19, 2022**

(51) **LOC (14) Cl.** **09-07**

(52) **U.S. Cl.**
USPC **D7/629**

(58) **Field of Classification Search**
USPC D7/397, 399, 400, 601, 602, 629;
D9/414, 416, 424, 425, 426, 430, 432,
D9/761; D3/201, 273
CPC ... B65D 1/26; B65D 1/40; B65D 5/24; B65D
81/34; B65D 81/3453; B65D 2581/34;
B65D 2581/3437
See application file for complete search history.

(56) **References Cited**

U.S. PATENT DOCUMENTS

4,976,370	A	*	12/1990	Cassel	B65D 1/22 220/792
D408,733	S	*	4/1999	McCann	D9/423
D439,159	S	*	3/2001	Chen	D9/425
D449,495	S	*	10/2001	Tucker	D7/629
D469,689	S	*	2/2003	Buchalski	D9/425
D606,812	S	*	12/2009	Wu	D7/629
D614,950	S	*	5/2010	Colacitti	D7/354
D640,129	S	*	6/2011	Sifuentes et al.	
D649,409	S	*	11/2011	Segal	D7/629
D649,410	S	*	11/2011	Segal	D7/629

D656,367	S	*	3/2012	Segal	D7/629
D665,674	S	*	8/2012	Wu	D7/629
D696,111	S	*	12/2013	Sundy	D9/429
D702,511	S	*	4/2014	Segal	D7/629
D724,903	S	*	3/2015	Chen	D7/629
D755,577	S	*	5/2016	Segal	D7/629
D755,578	S	*	5/2016	Wu	D7/629
D755,579	S	*	5/2016	Wu	D7/629
D777,535	S	*	1/2017	Zemel	D7/629

(Continued)

Primary Examiner — Andrew Kerr

(74) *Attorney, Agent, or Firm* — Squire Patton Boggs (US) LLP

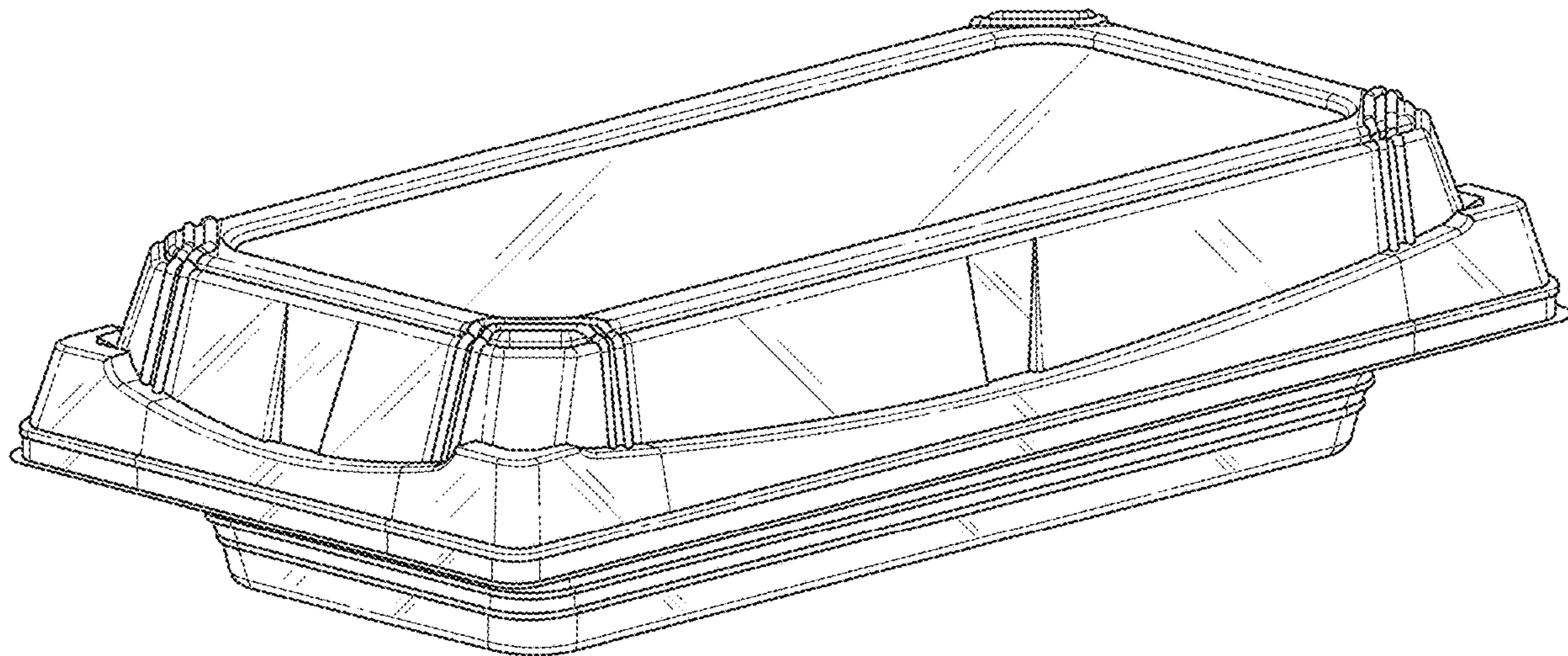
(57) **CLAIM**

The ornamental design for a food container, as shown and described.

DESCRIPTION

FIG. 1 is a top perspective view of a food container, showing my new design;
 FIG. 2 is a bottom perspective view thereof;
 FIG. 3 is a front elevation view thereof;
 FIG. 4 is a back elevation view thereof;
 FIG. 5 is a right elevation view thereof;
 FIG. 6 is a left elevation view thereof;
 FIG. 7 is a top plan view thereof;
 FIG. 8 is a bottom plan view thereof;
 FIG. 9 is a top, front, right side exploded perspective view thereof;
 FIG. 10 is a bottom, front, right side exploded perspective view thereof;
 FIG. 11 is a front exploded elevation view thereof;
 FIG. 12 is a back exploded elevation view thereof;
 FIG. 13 is a right exploded elevation view thereof; and,
 FIG. 14 is a left exploded elevation view thereof.
 Any broken line portions of the figure drawings is included to show unclaimed subject matter only, and forms no part of the claimed design.

1 Claim, 14 Drawing Sheets



(56)

References Cited

U.S. PATENT DOCUMENTS

D801,170 S	*	10/2017	Wu	D9/425
D815,924 S	*	4/2018	Croft	D7/629
D852,036 S	*	6/2019	Lin	D9/425
D854,380 S	*	7/2019	Yang	D7/602
D880,248 S	*	4/2020	Zhen	D7/602
D902,668 S	*	11/2020	Zemel	D7/629
D971,015 S	*	11/2022	Marino	D9/425

* cited by examiner

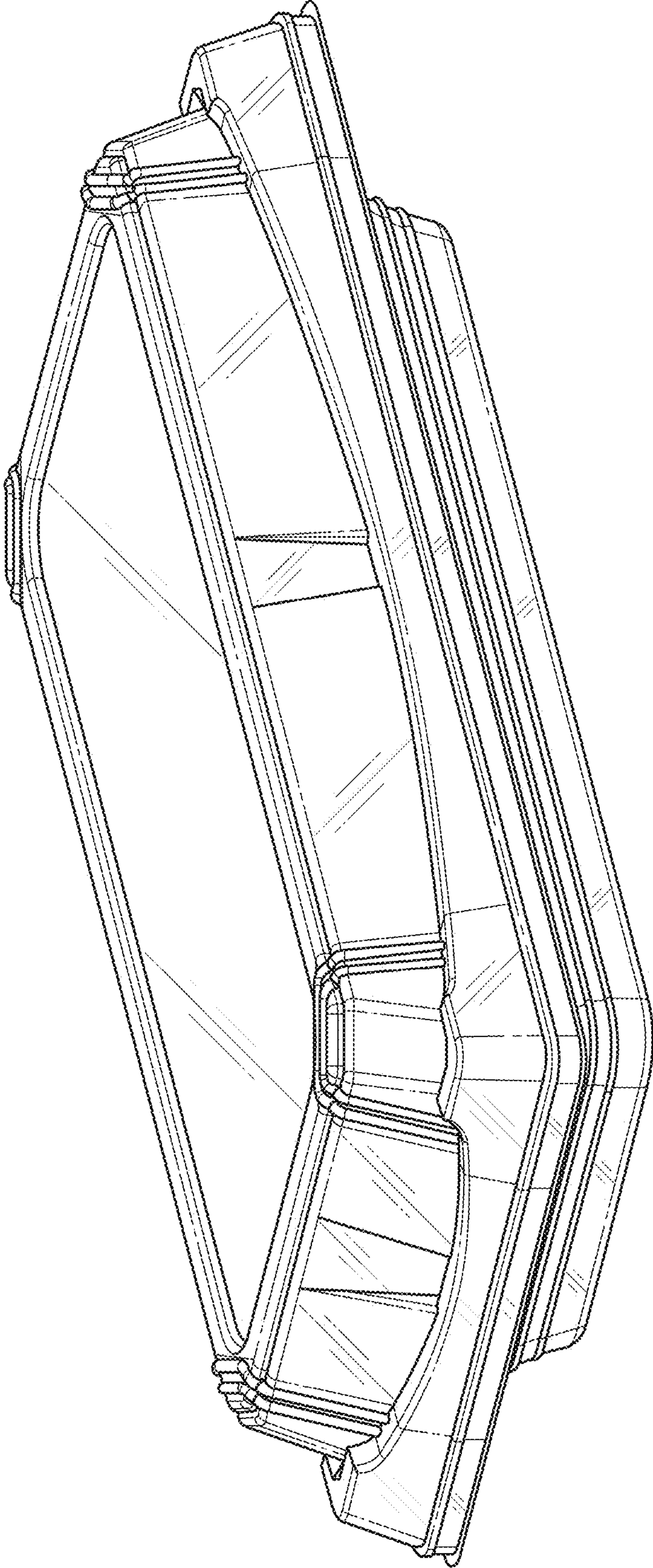


FIG. 1

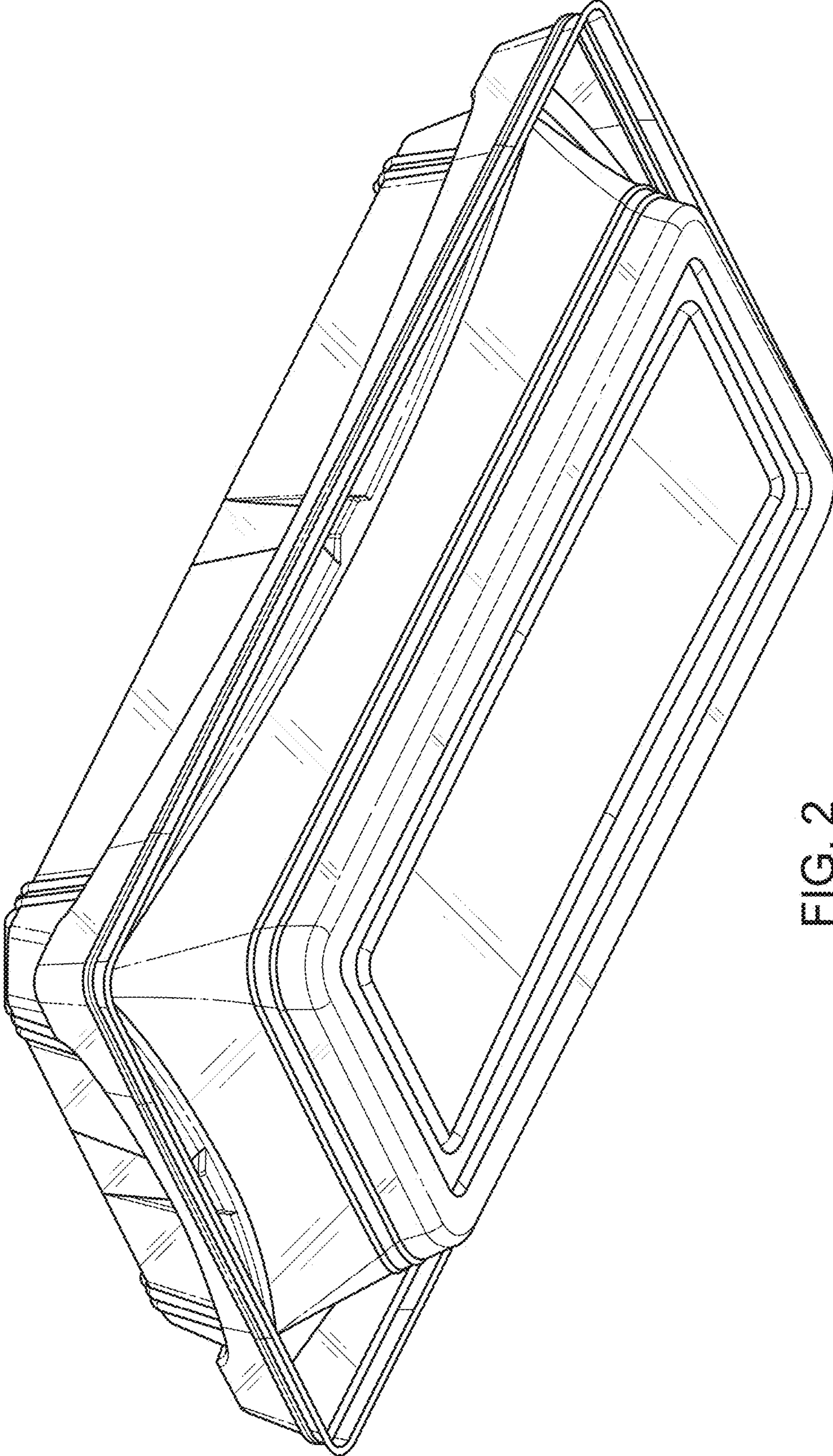


FIG. 2

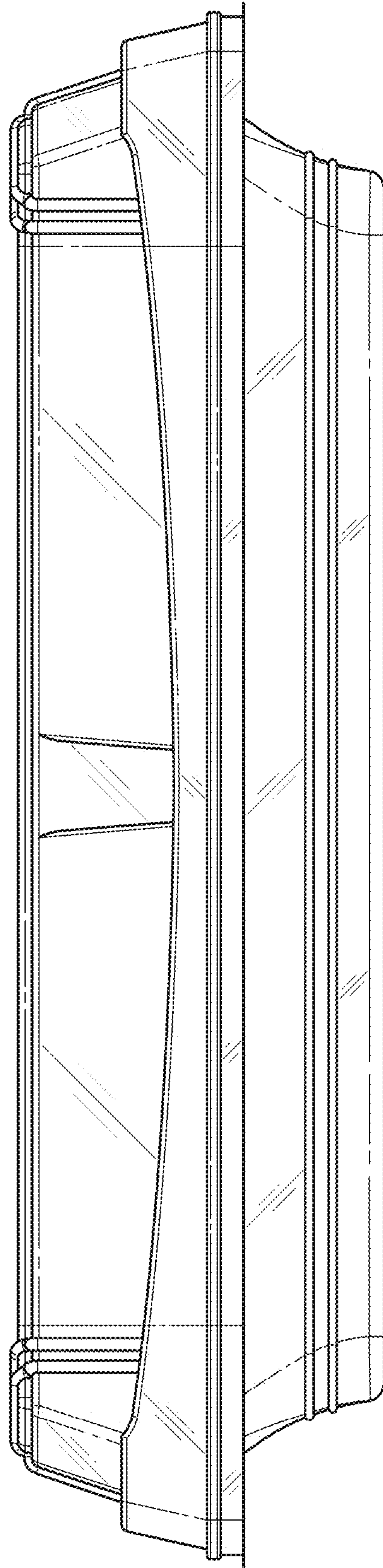


FIG. 3

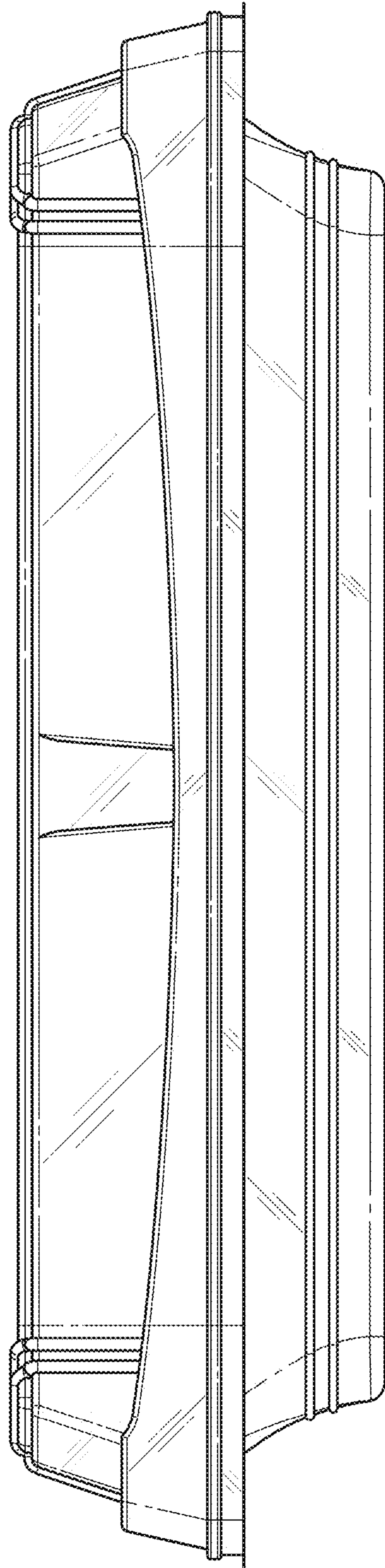


FIG. 4

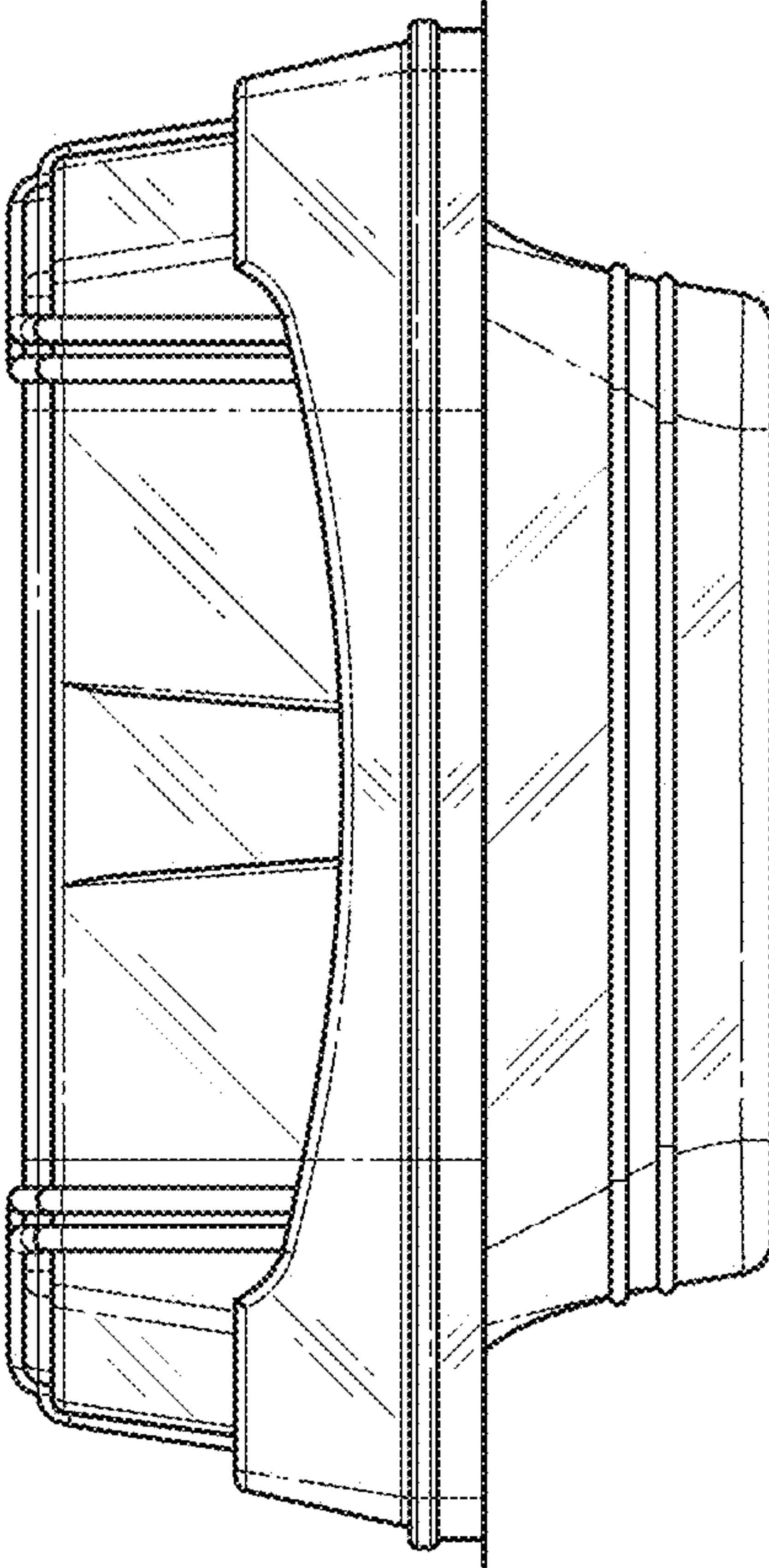


FIG. 5

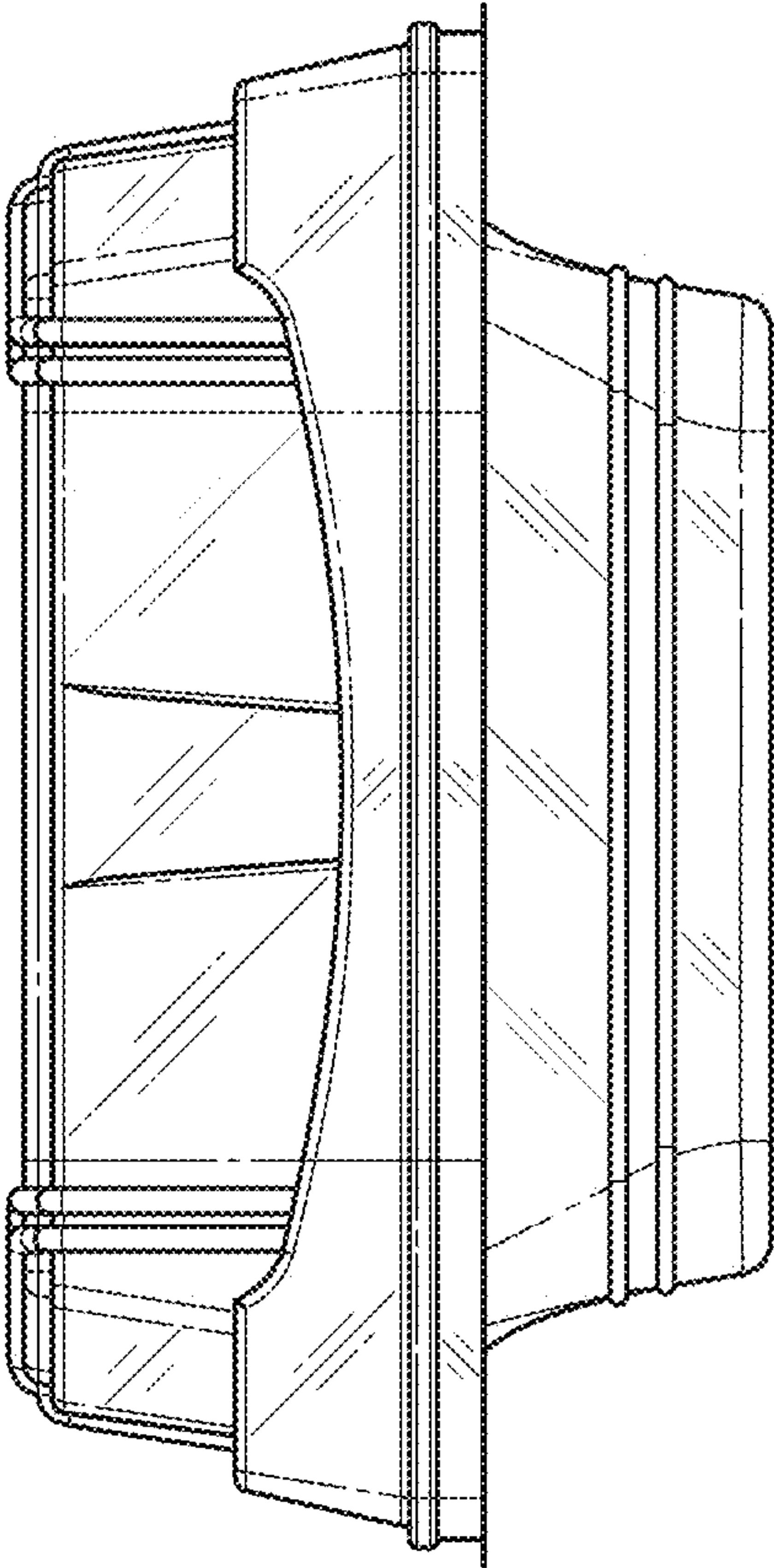


FIG. 6

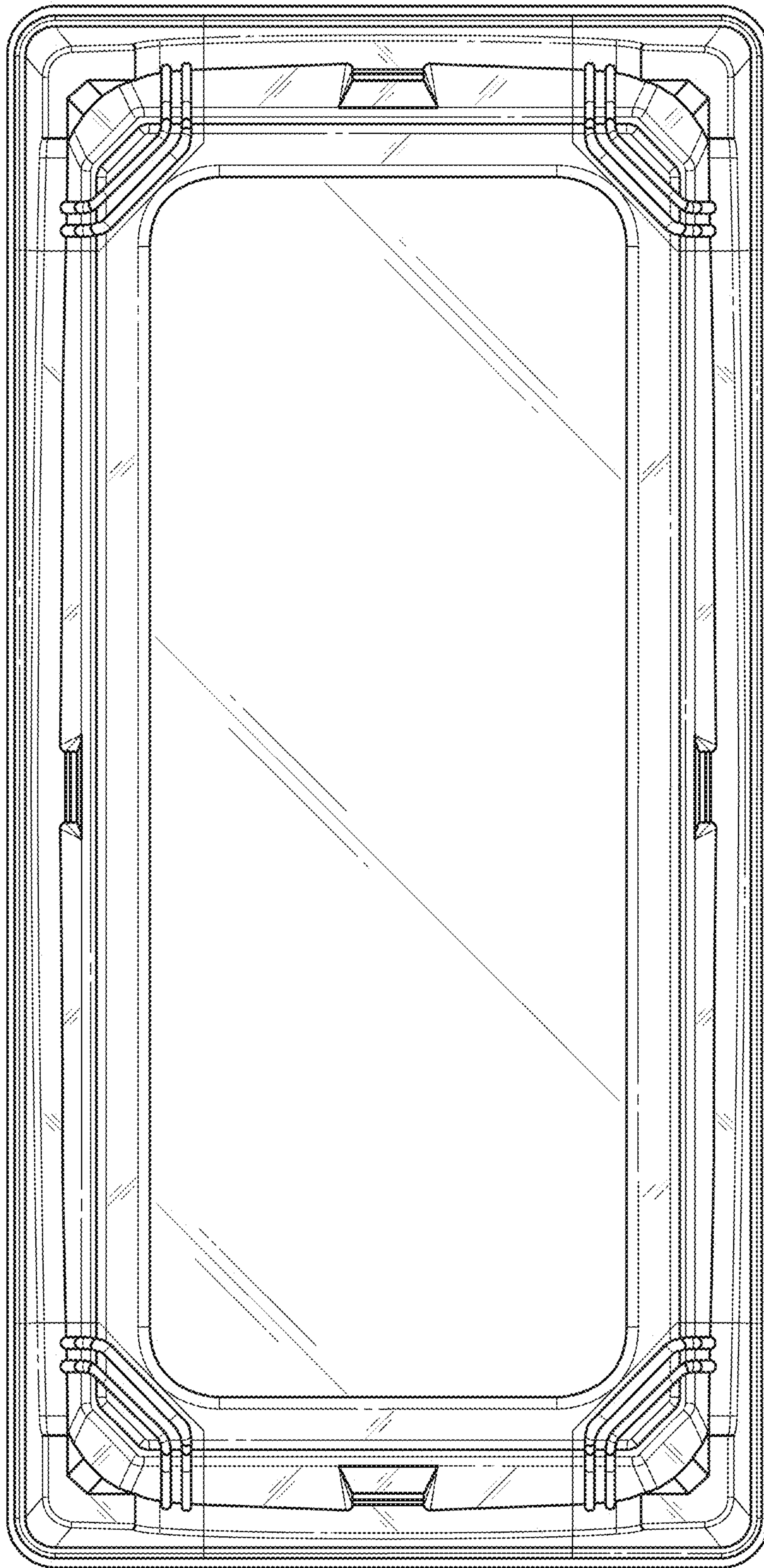


FIG. 7

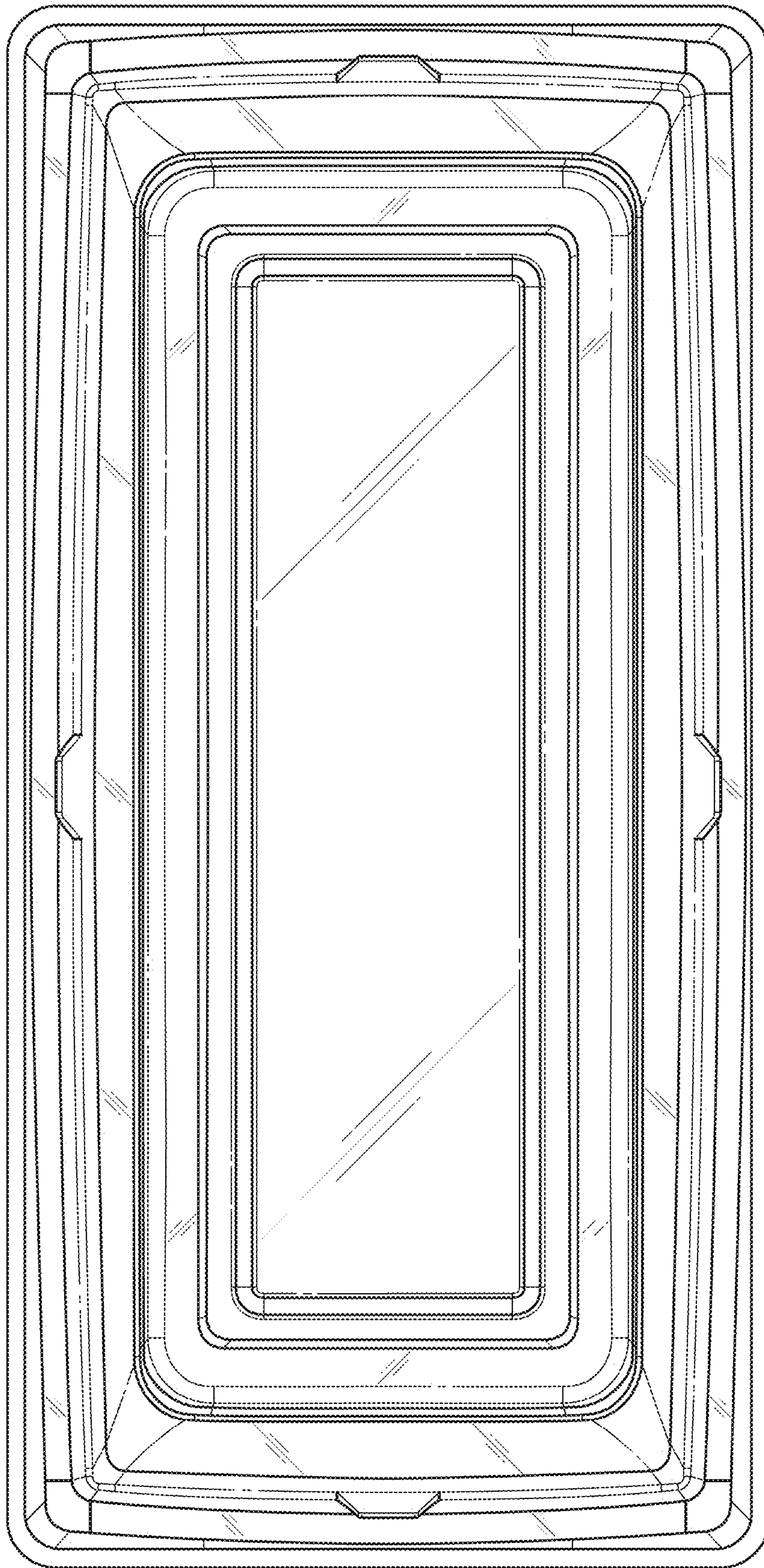


FIG. 8

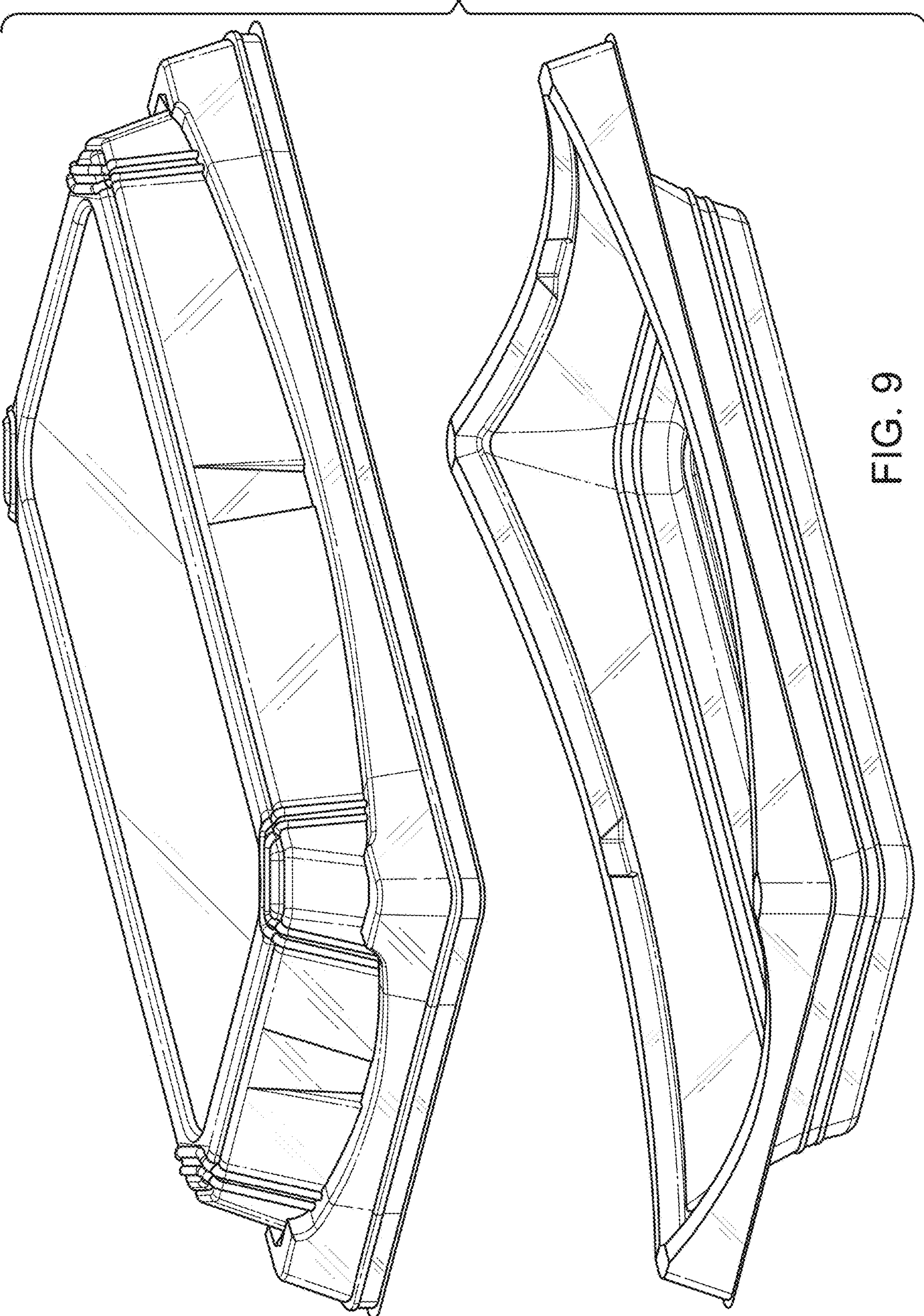


FIG. 9

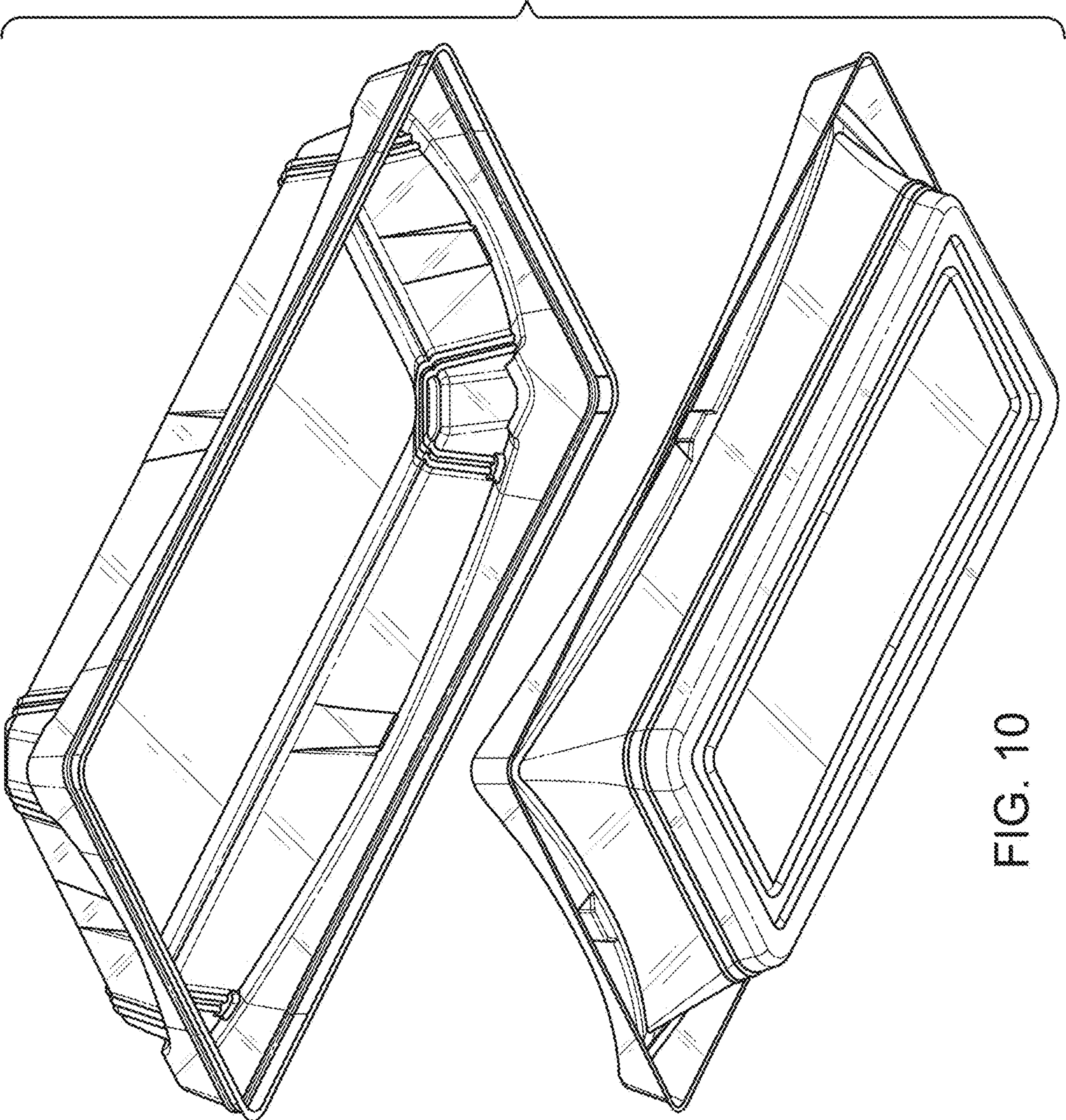


FIG. 10

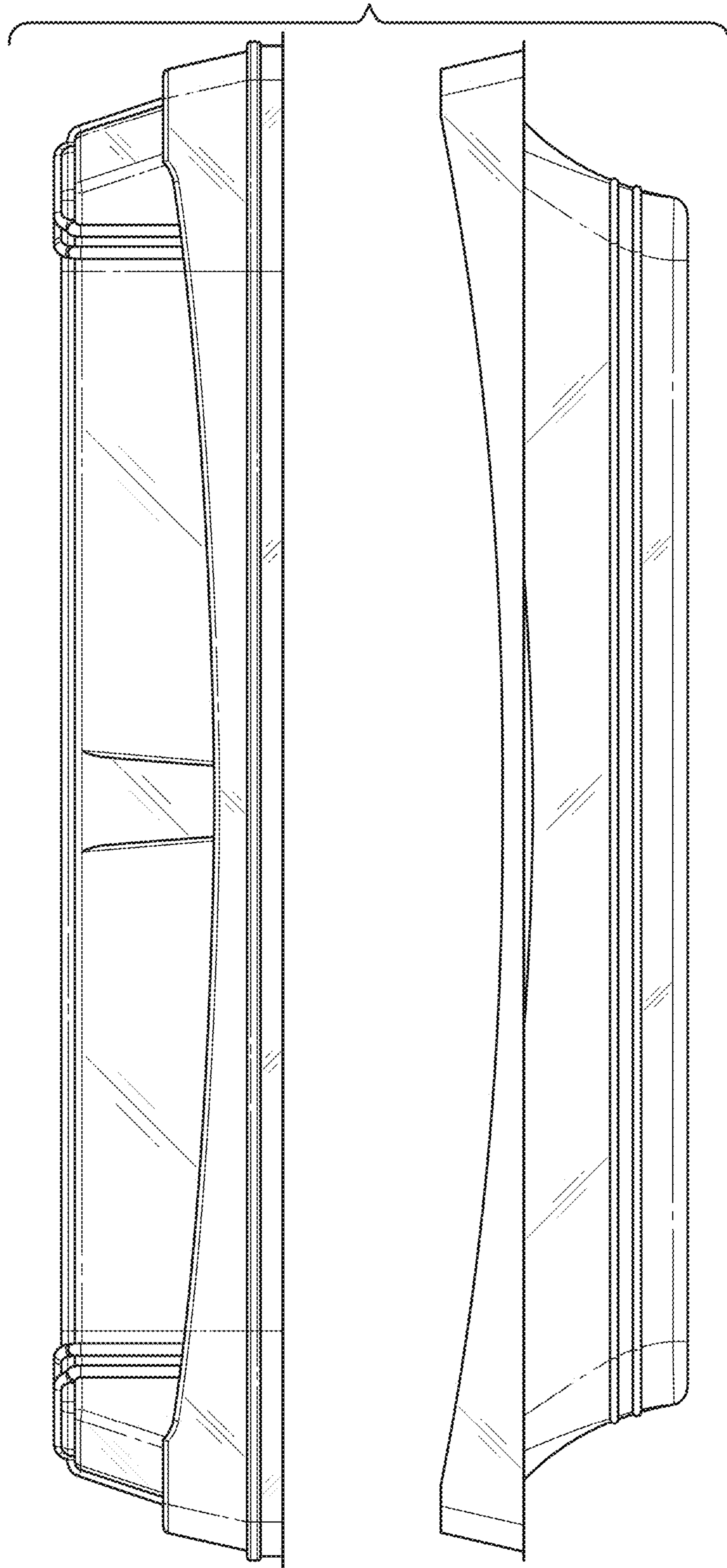


FIG. 11

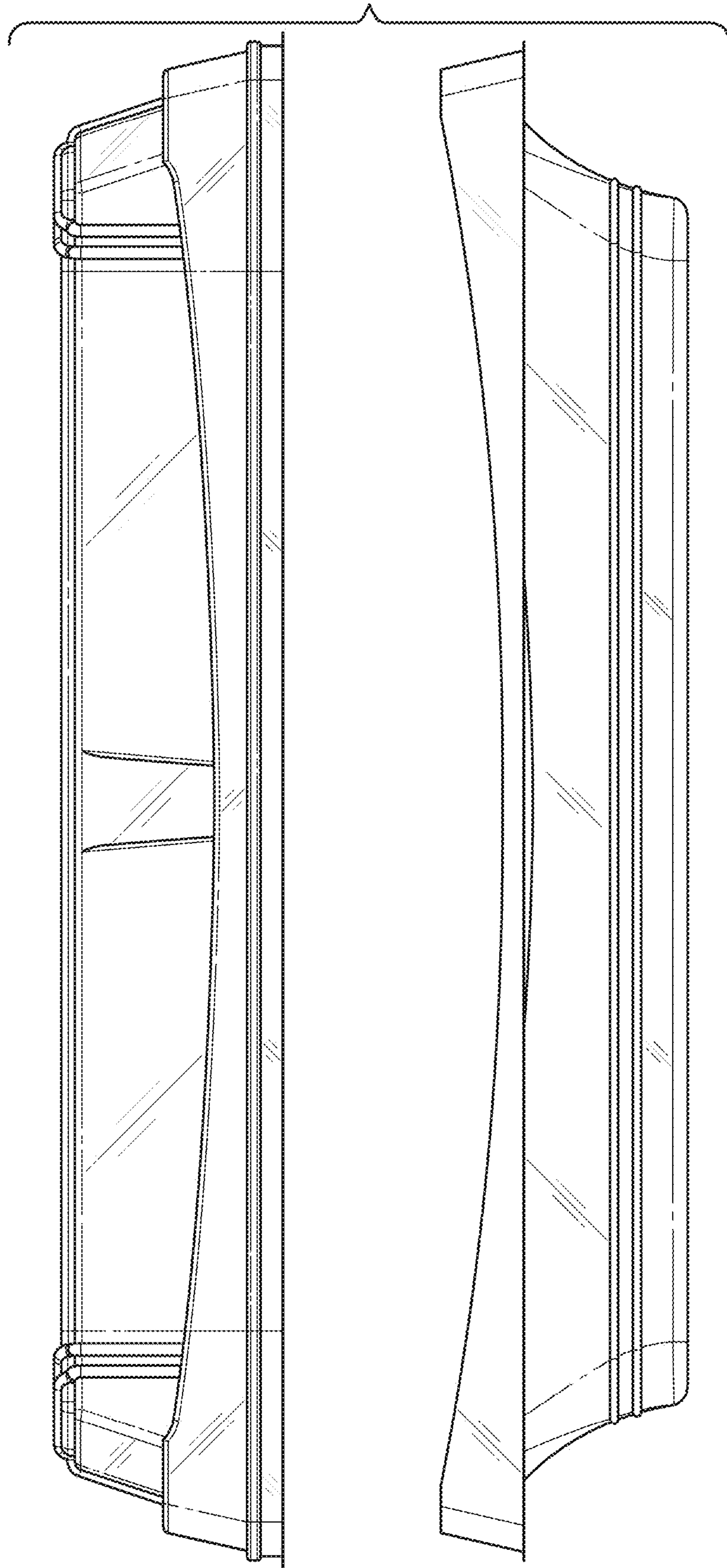


FIG. 12

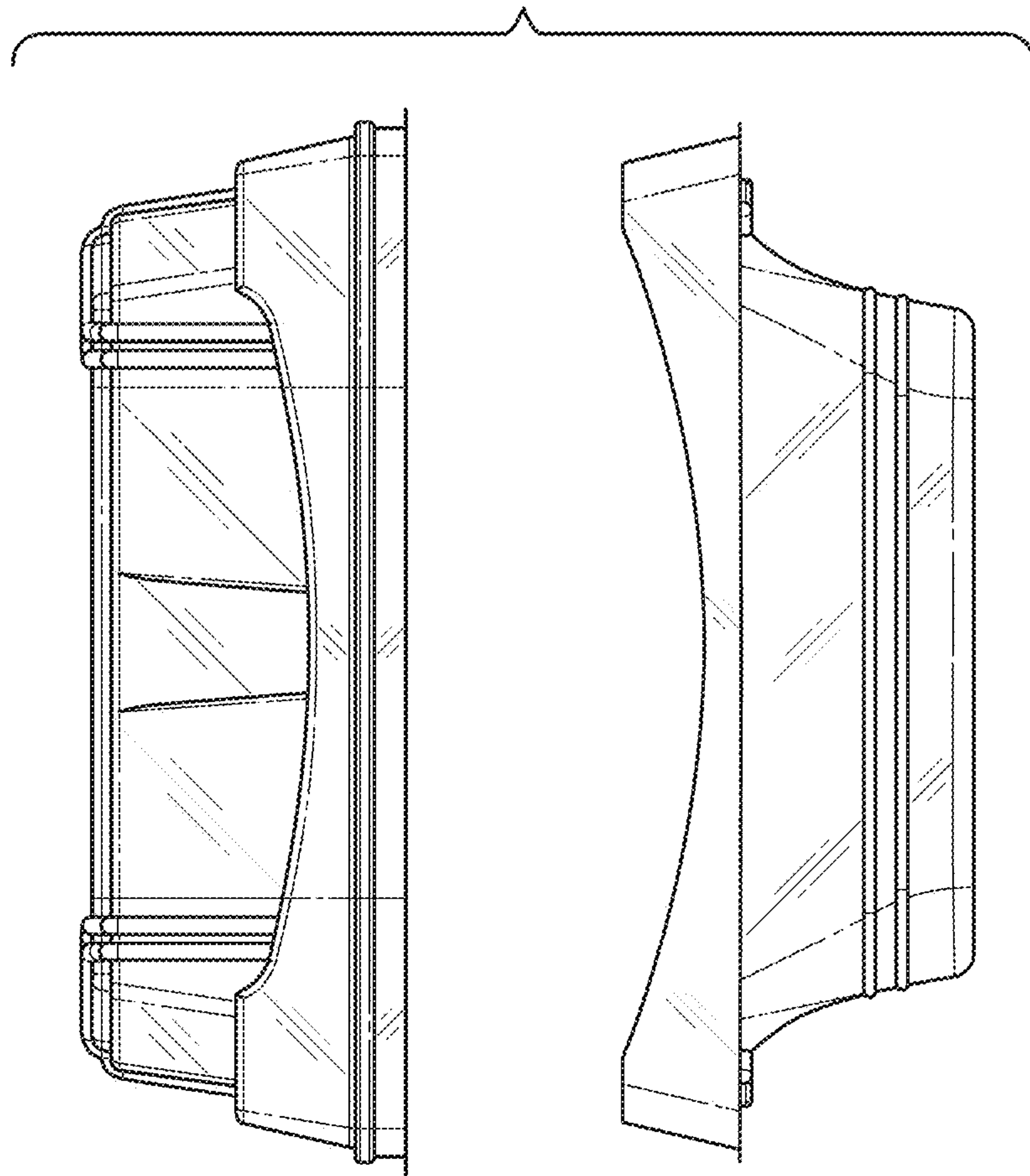


FIG. 13

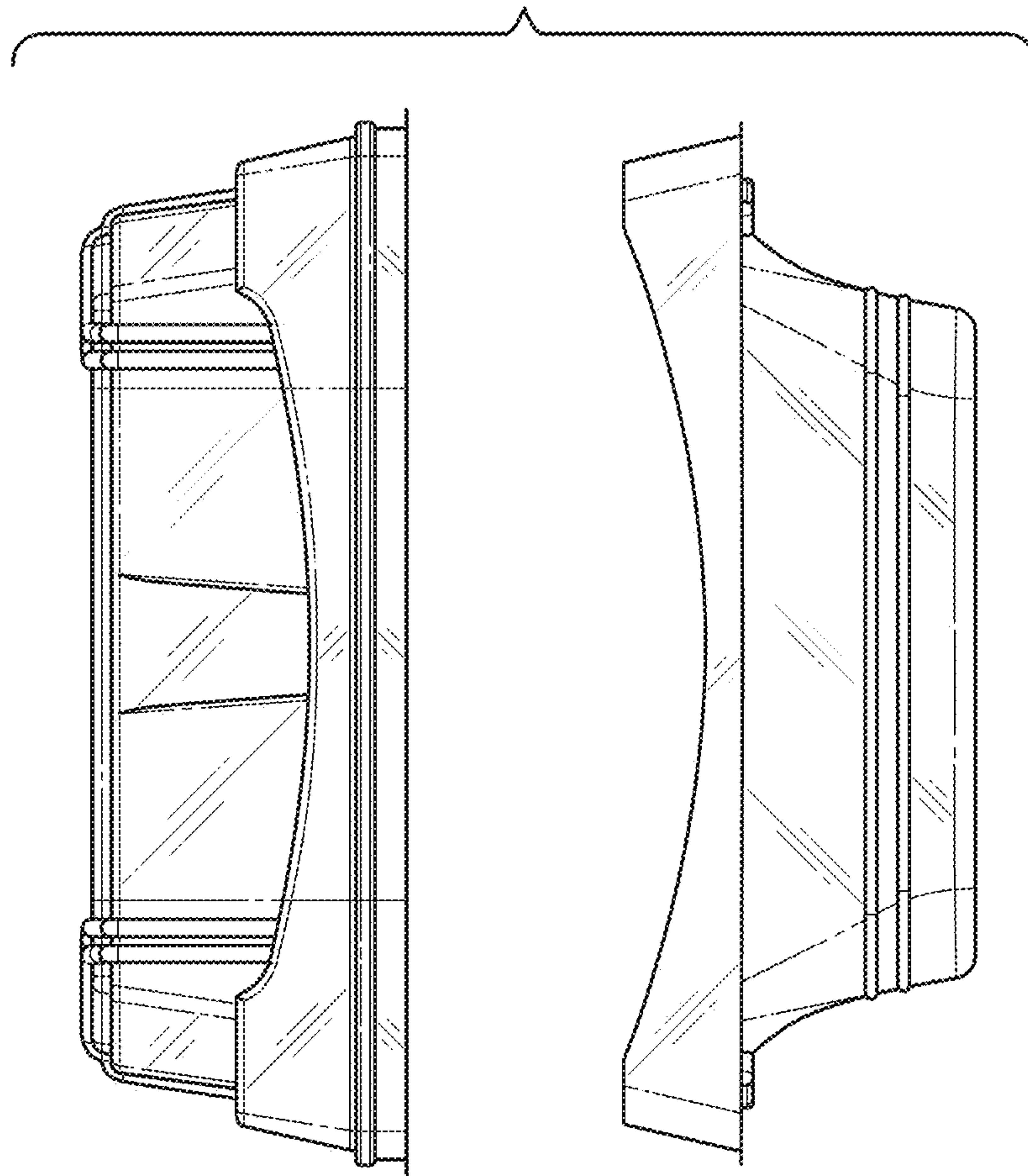


FIG. 14