



US00D989566S

(12) **United States Design Patent**  
**Kay**

(10) **Patent No.:** **US D989,566 S**  
(45) **Date of Patent:** **\*\* Jun. 20, 2023**

(54) **RECTANGULAR CAKE COVER**

FOREIGN PATENT DOCUMENTS

(71) Applicant: **William Kay**, Boca Raton, FL (US)

KR 20140000057 U \* 1/2014

(72) Inventor: **William Kay**, Boca Raton, FL (US)

\* cited by examiner

(\*\*) Term: **15 Years**

*Primary Examiner* — Andrew Kerr

(21) Appl. No.: **29/780,059**

(74) *Attorney, Agent, or Firm* — Andrew S. Rapacke

(22) Filed: **Apr. 22, 2021**

(51) **LOC (14) Cl.** ..... **07-07**

(52) **U.S. Cl.**

USPC ..... **D7/610**

(58) **Field of Classification Search**

USPC ..... D7/601, 602, 609, 610, 701, 703;  
D9/430, 432

CPC ..... B65D 85/36; B65D 2585/36; B65D  
2585/363

See application file for complete search history.

(57) **CLAIM**

The ornamental design for a rectangular cake cover, as shown and described.

**DESCRIPTION**

FIG. 1 is a perspective view of a rectangular cake cover, showing my new design;

FIG. 2 is a front elevational view of the rectangular cake cover thereof;

FIG. 3 is a rear elevational view of the rectangular cake cover thereof;

FIG. 4 is a left side elevational view of the rectangular cake cover thereof;

FIG. 5 is a right side elevational view of the rectangular cake cover thereof;

FIG. 6 is a top plan view of the rectangular cake cover thereof; and,

FIG. 7 is a bottom plan view of the rectangular cake cover thereof.

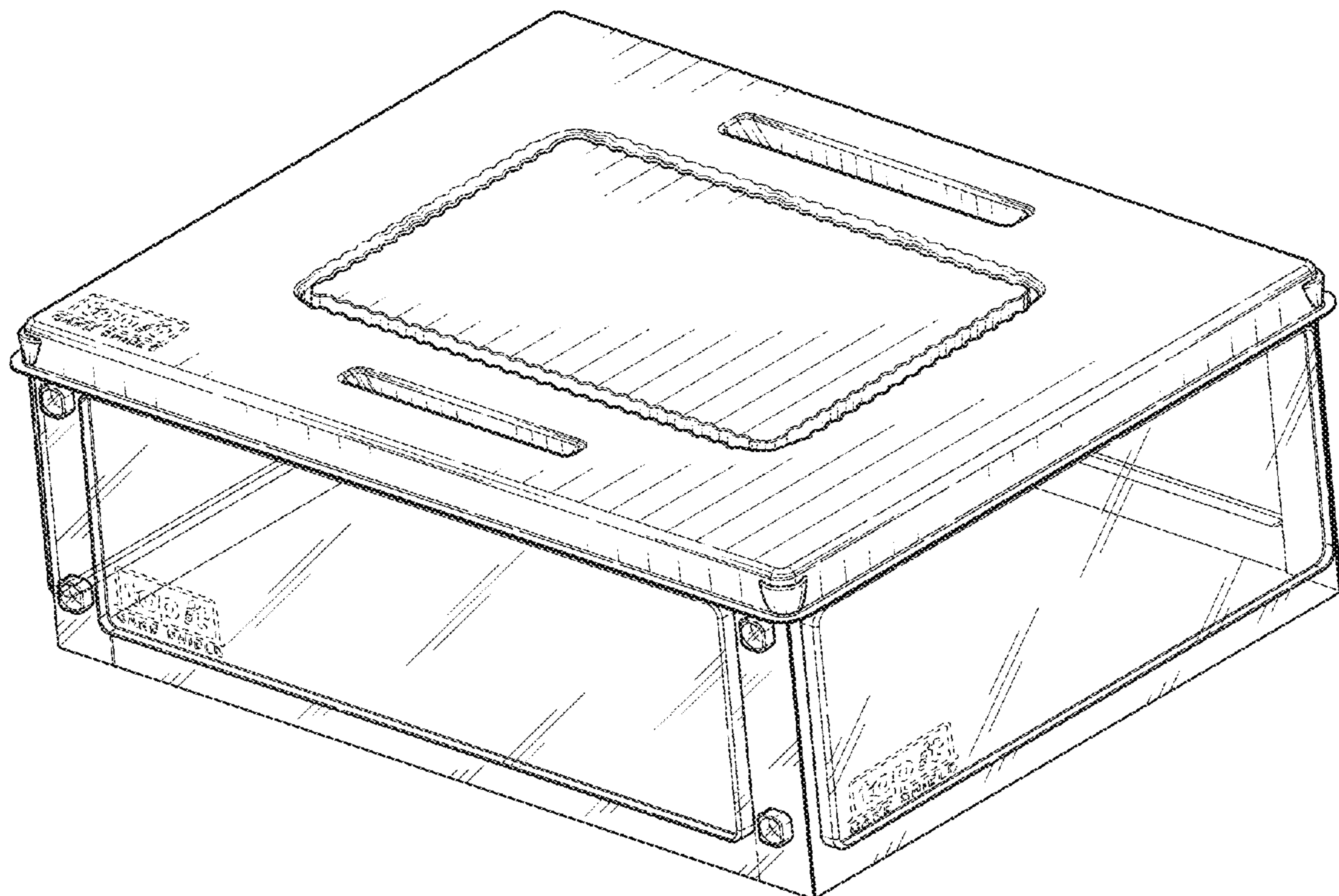
The broken lines in the drawings illustrate environmental subject matter and form no part of the claimed design.

(56) **References Cited**

U.S. PATENT DOCUMENTS

D155,373 S *	9/1949	Zaikner .....	D7/629
D298,791 S *	12/1988	Holzopf .....	D7/542
D389,379 S *	1/1998	Samuels .....	D7/610
D419,033 S *	1/2000	Thomas .....	D7/609
D513,383 S *	1/2006	Glander .....	D9/453
D585,734 S *	2/2009	Doliwa .....	D9/425
D638,704 S *	5/2011	Petlak .....	D9/435
D713,694 S *	9/2014	Fitzpatrick .....	D7/610
2006/0102635 A1 *	5/2006	Dahl .....	B65D 1/34 220/675

**1 Claim, 4 Drawing Sheets**



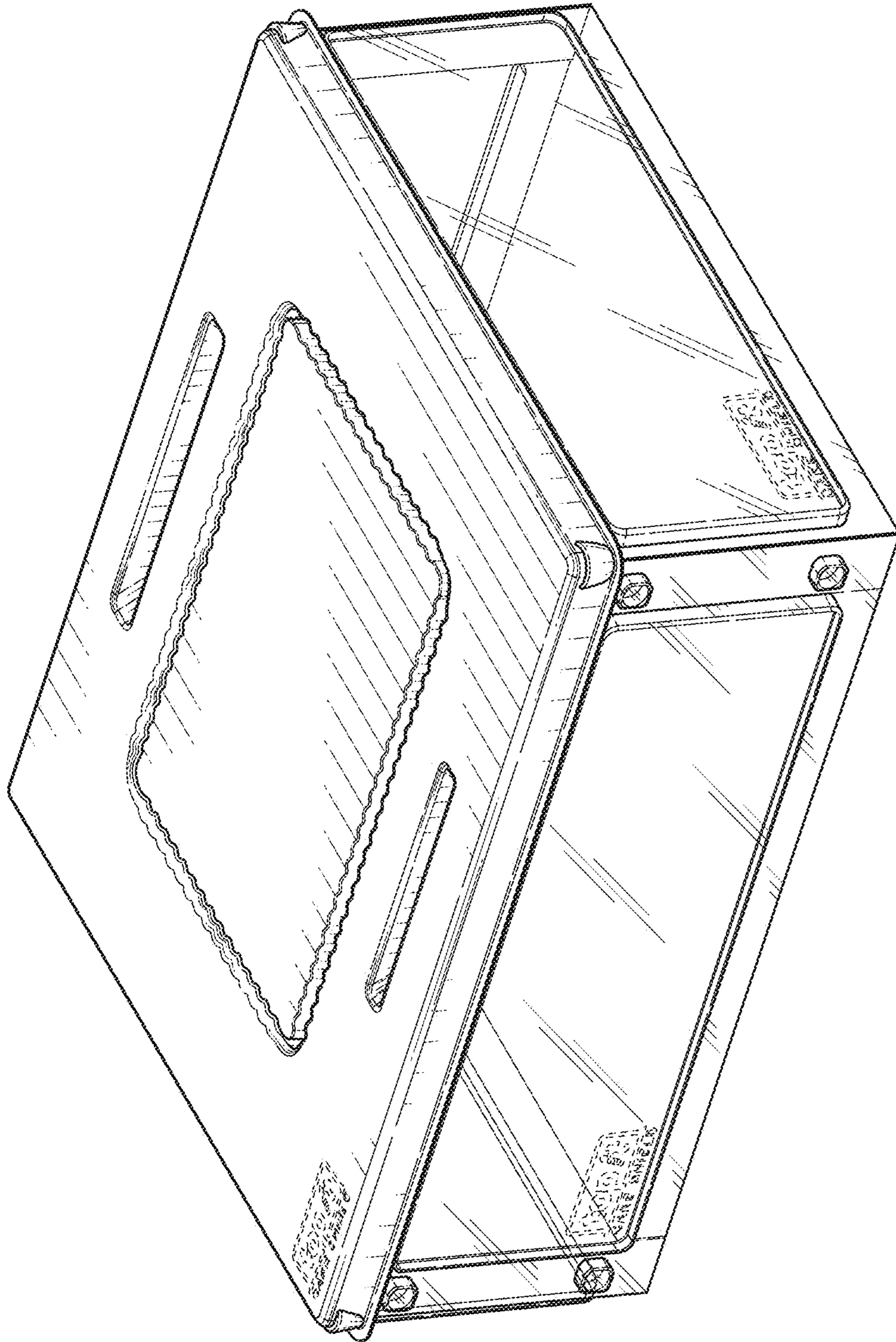


FIG. 1



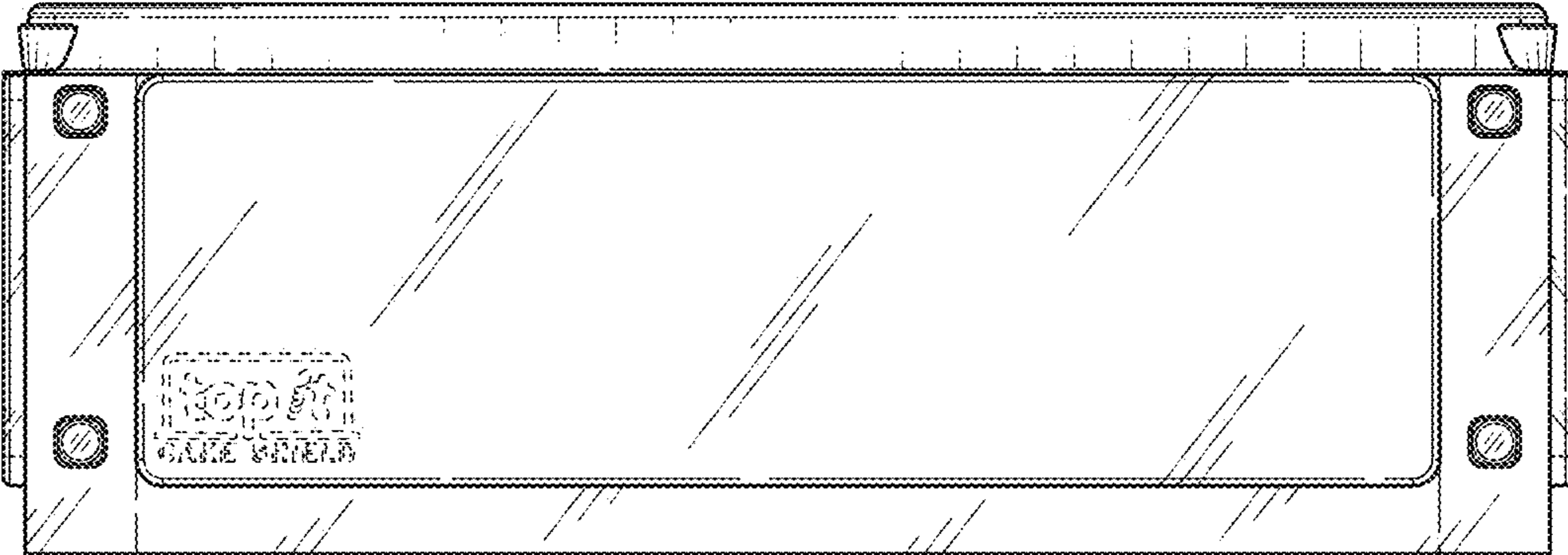


FIG. 2

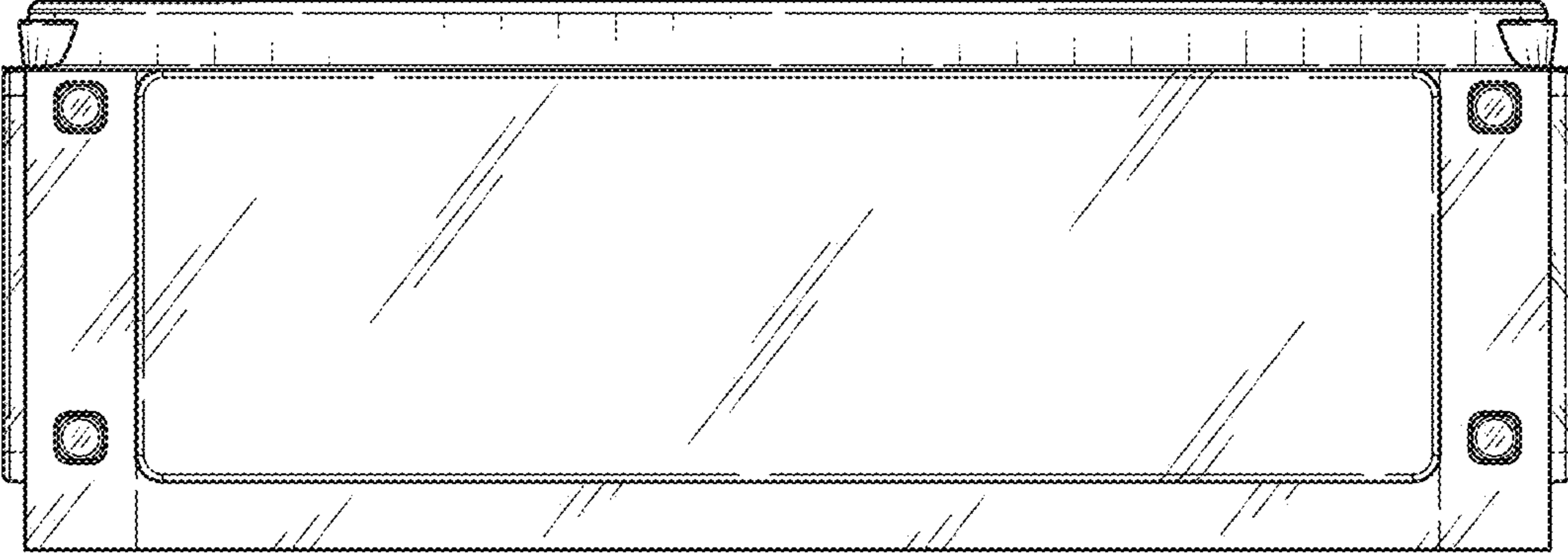
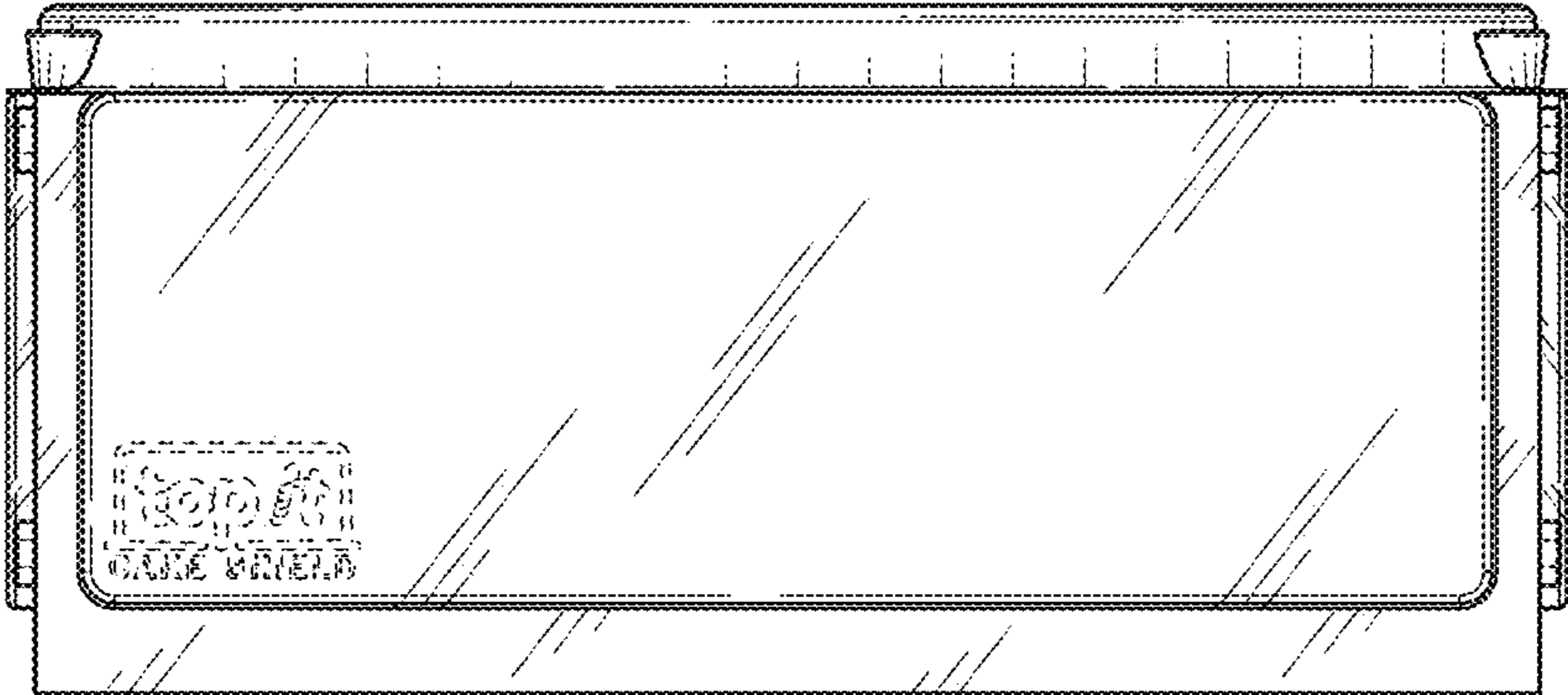
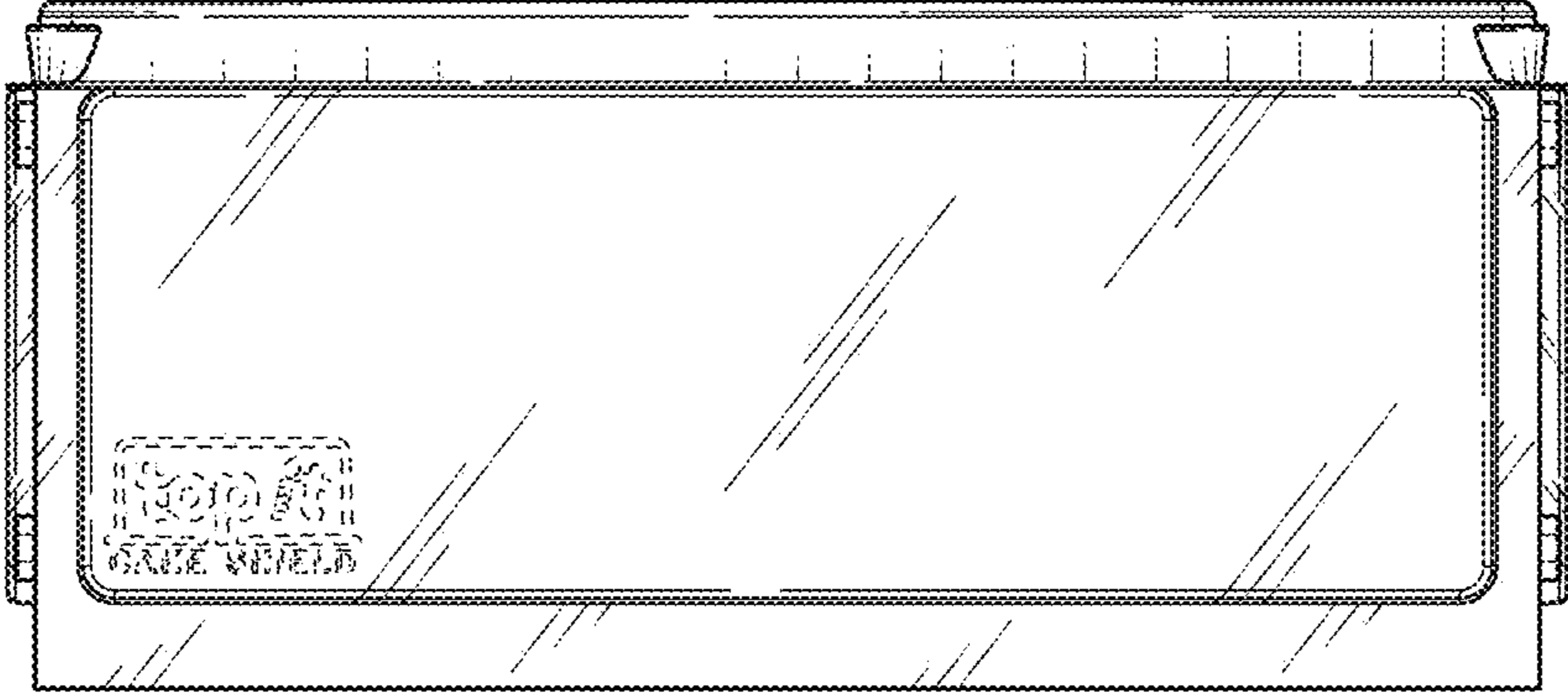


FIG. 3



**FIG. 4**



**FIG. 5**

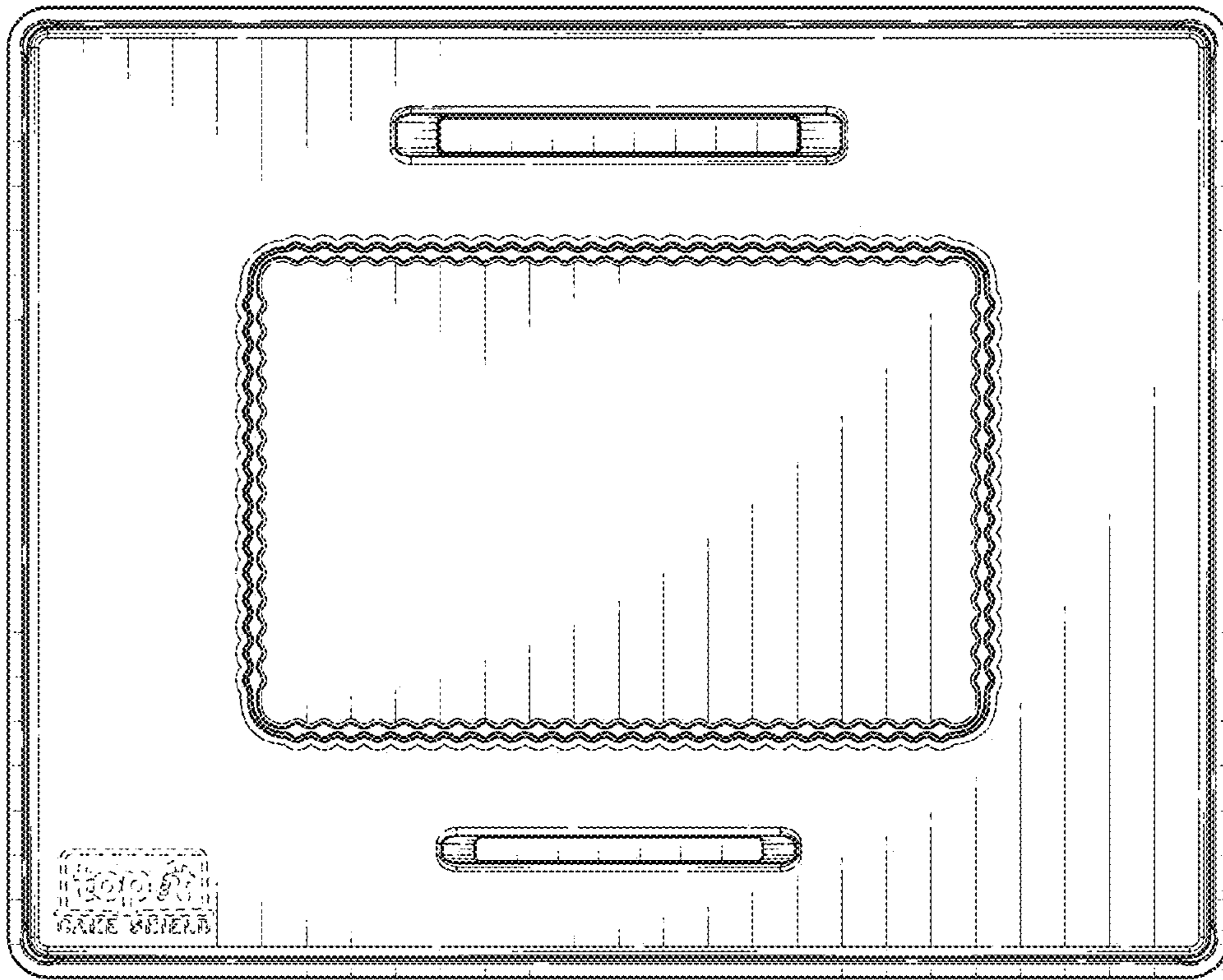


FIG. 6

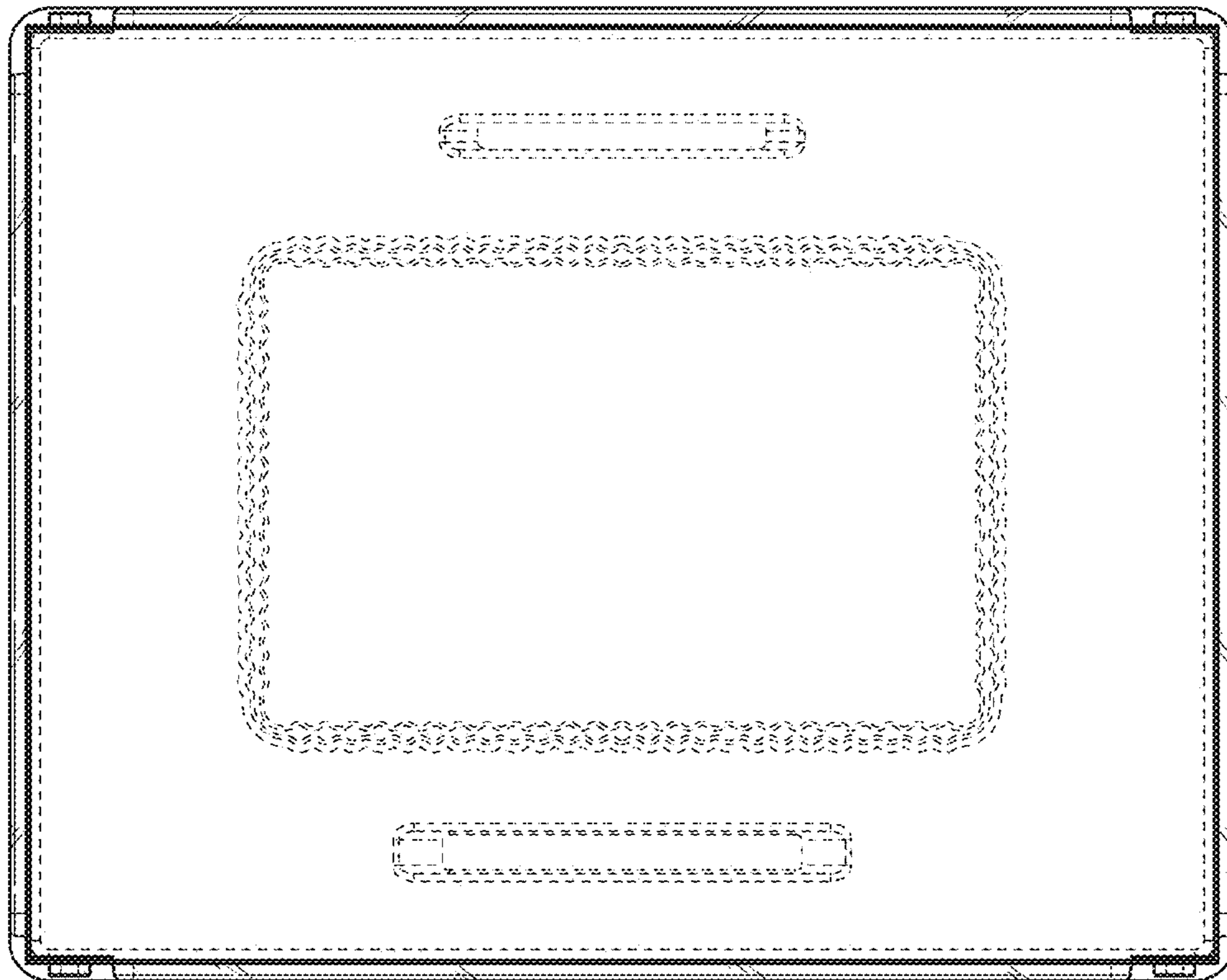


FIG. 7