



US00D989564S

(12) **United States Design Patent** (10) **Patent No.:** **US D989,564 S**
Reeves (45) **Date of Patent:** **** Jun. 20, 2023**

(54) **ICE CHEST WITH INTEGRAL LID SEAT**
(71) Applicant: **Cory Brandon Reeves**, San Antonio, TX (US)
(72) Inventor: **Cory Brandon Reeves**, San Antonio, TX (US)
(**) Term: **15 Years**
(21) Appl. No.: **29/788,323**
(22) Filed: **May 3, 2021**
(51) **LOC (14) Cl.** **07-01**
(52) **U.S. Cl.**
USPC **D7/605**
(58) **Field of Classification Search**
USPC D7/387, 538-542, 601-608, 629;
D3/272, 273; D15/81, 83, 89, 90
CPC A45C 11/20; A47G 23/04; B65D 81/38;
B65D 81/3813; B65D 81/3816; B65D
81/3818; B65D 81/382; B65D 81/3823;
F25D 3/02; F25D 3/06; F25D 3/08; F25D
3/105; F25D 3/107; F25D 3/125; F25D
3/14
See application file for complete search history.

D955,821 S * 6/2022 Agbato B63B 29/04
D7/605
2004/0025531 A1 2/2004 Holloman-Hughes et al.
2006/0261654 A1* 11/2006 Stallman A47C 15/004
297/310
2008/0001443 A1* 1/2008 Colglazier B63B 29/04
297/129
2020/0300536 A1* 9/2020 Wilson F25D 23/12
2021/0284426 A1* 9/2021 Kalajyan B65D 81/3813

OTHER PUBLICATIONS

Rubbermaid 14 Can Briefcase Cooler, Walmart, [online], [site visited Mar. 13, 2023], Available from internet URL: <https://www.walmart.com/ip/Rubbermaid-14-Can-Briefcase-Cooler/20613573> (Year: 2023).*

* cited by examiner

Primary Examiner — Catherine Ho
Assistant Examiner — Natalya M Rapundalo
(74) *Attorney, Agent, or Firm* — Dunlap Bennett & Ludwig, PLLC; Anna L. Kinney

(57) **CLAIM**

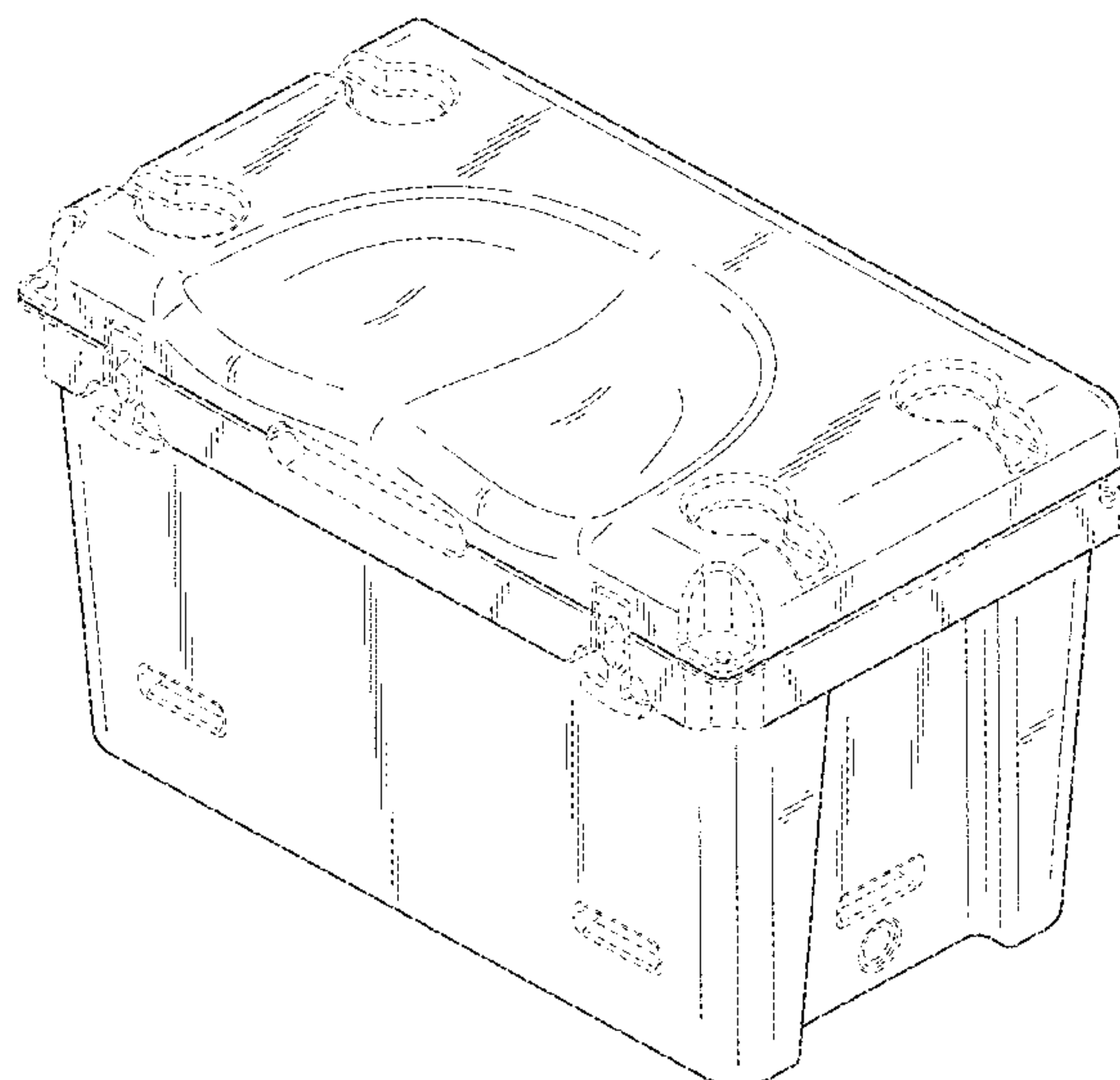
The ornamental design for an ice chest with integral lid seat, as shown and described.

DESCRIPTION

FIG. 1 is a top perspective view of an ice chest with integral lid seat, showing my new design;
FIG. 2 is a front elevation view thereof;
FIG. 3 is a rear elevation view thereof;
FIG. 4 is a left side elevation view thereof;
FIG. 5 is a right side elevation view thereof;
FIG. 6 is a top plan view thereof; and,
FIG. 7 is a bottom plan view thereof.
The dashed broken lines shown in FIGS. 1-7 depict portions of the article that form no part of the claimed design. The dash dot lines shown in FIG. 7 represent bounds of the claimed design and form no part thereof.

1 Claim, 4 Drawing Sheets

(56) **References Cited**
U.S. PATENT DOCUMENTS
D281,119 S 10/1985 Kalkus
D646,528 S 10/2011 Stallman et al.
D811,171 S 2/2018 Golic et al.
10,054,354 B1* 8/2018 Kennedy B62B 1/24
D836,993 S * 1/2019 Meda D7/605
D836,995 S 1/2019 Carey et al.
D850,217 S * 6/2019 Kittel, III D7/605
D870,520 S 12/2019 Carey et al.
D880,951 S * 4/2020 Jacobsen D7/605
D888,503 S * 6/2020 Meda B65D 81/3813
D7/605
D929,188 S * 8/2021 Pennington B62B 1/24
D7/605



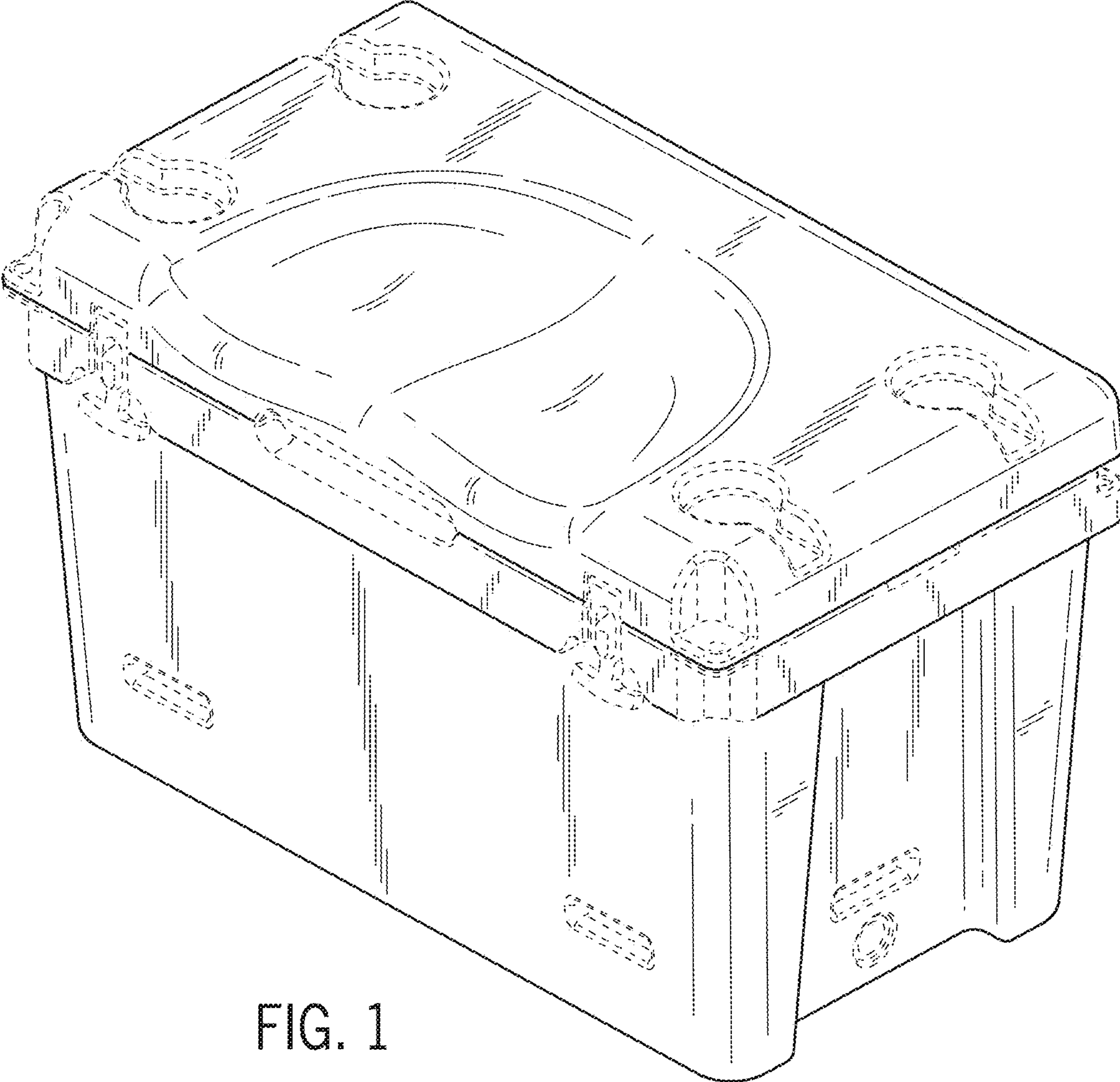


FIG. 1

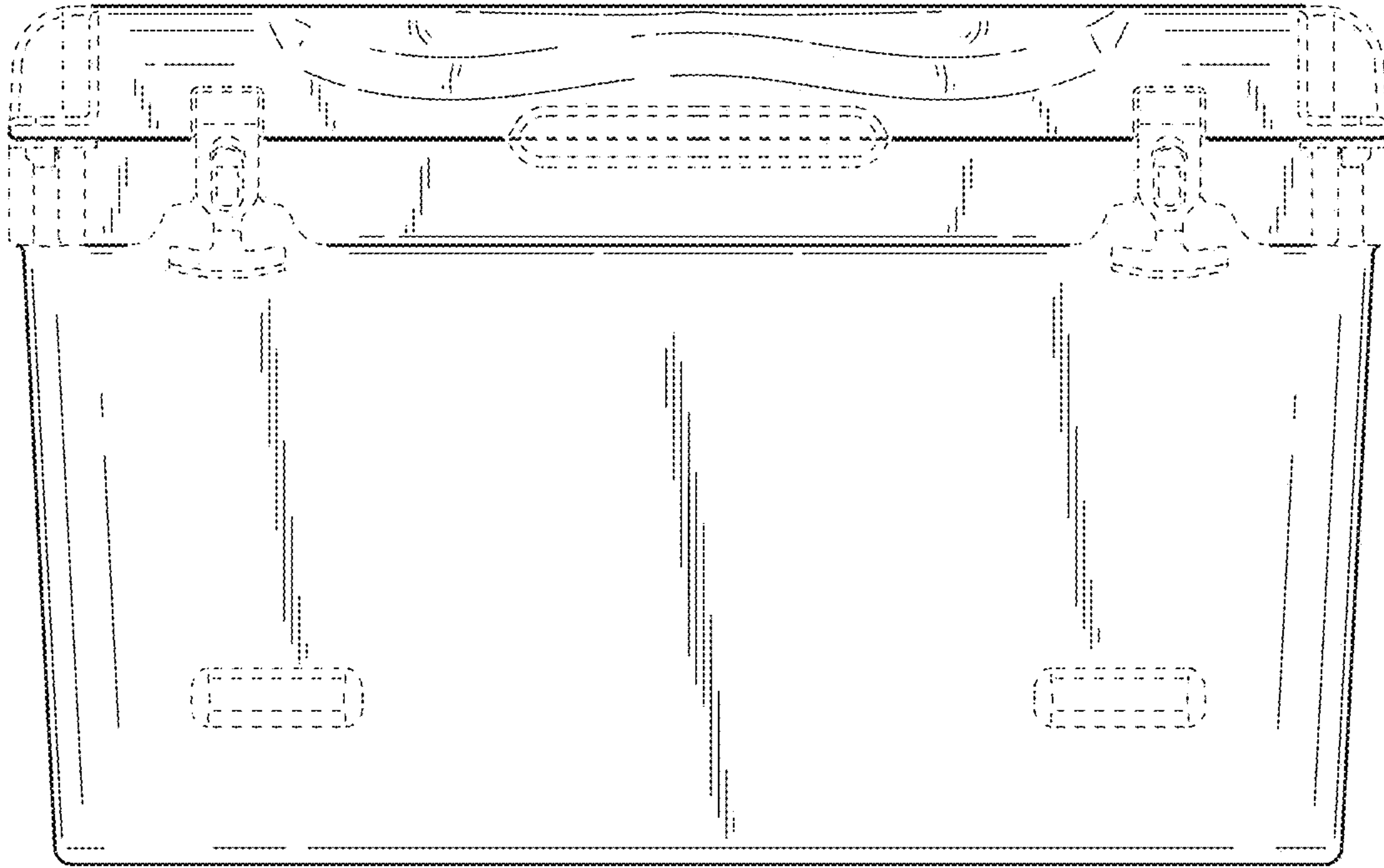


FIG. 2

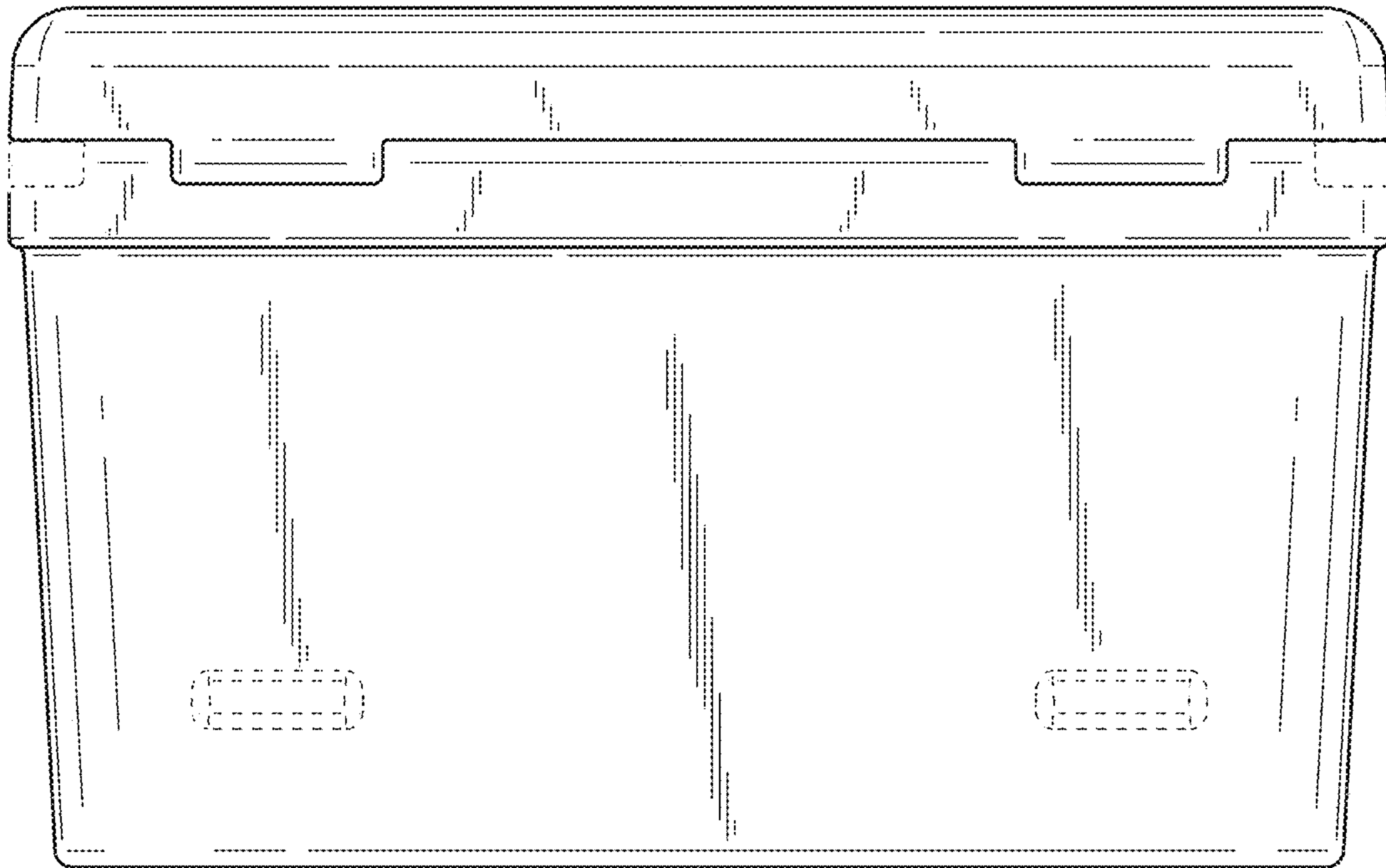


FIG. 3

FIG. 4

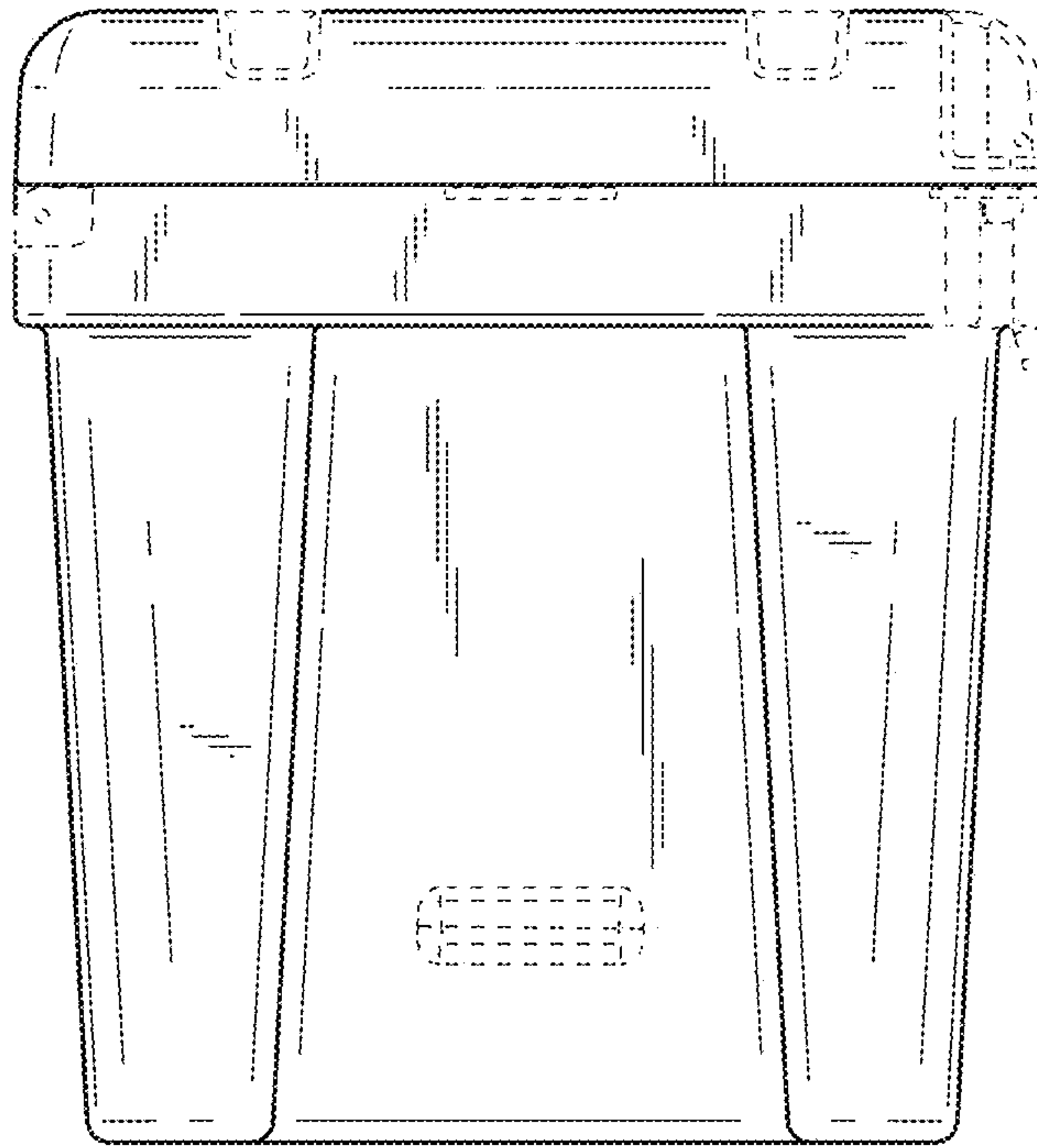
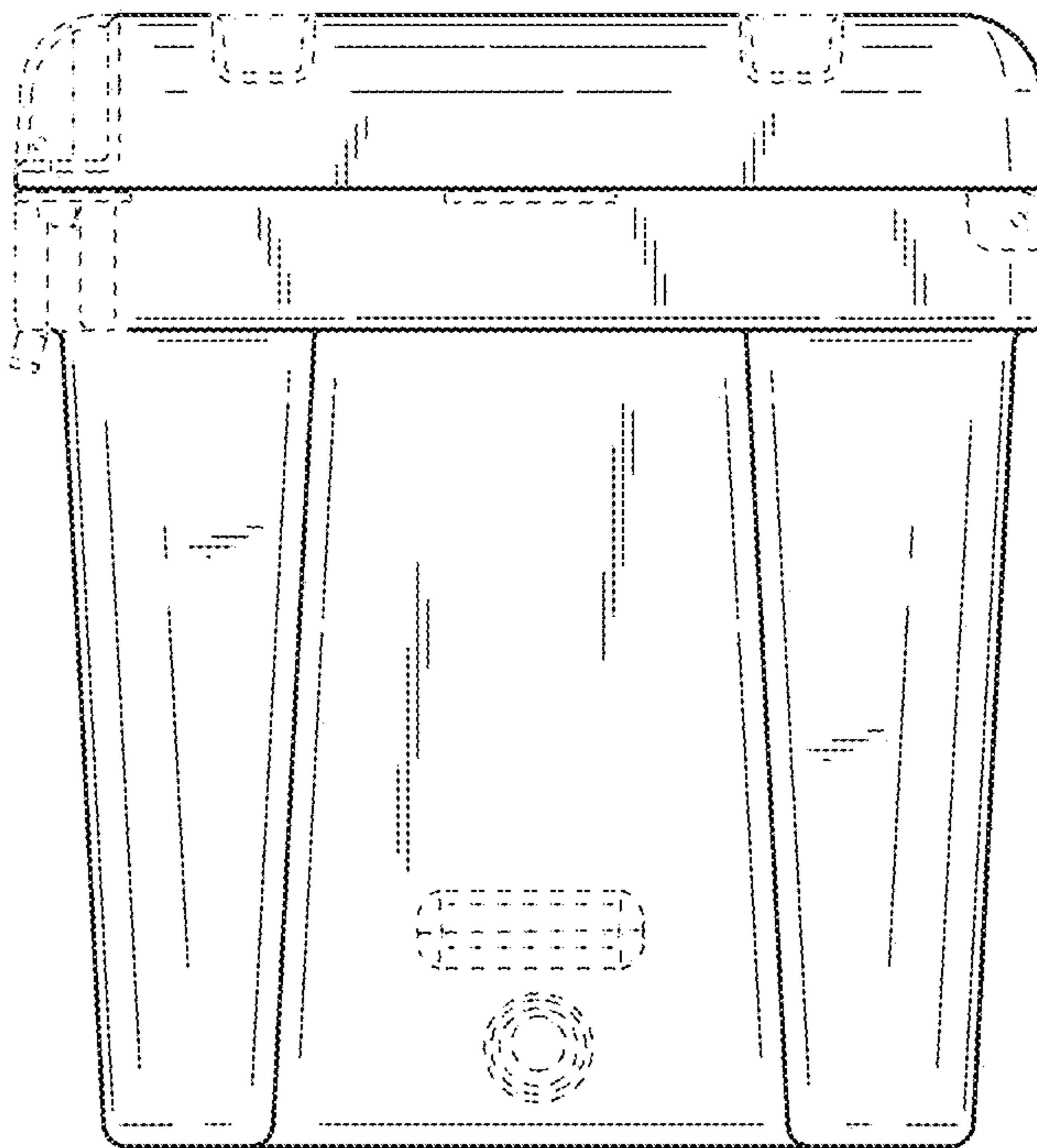


FIG. 5



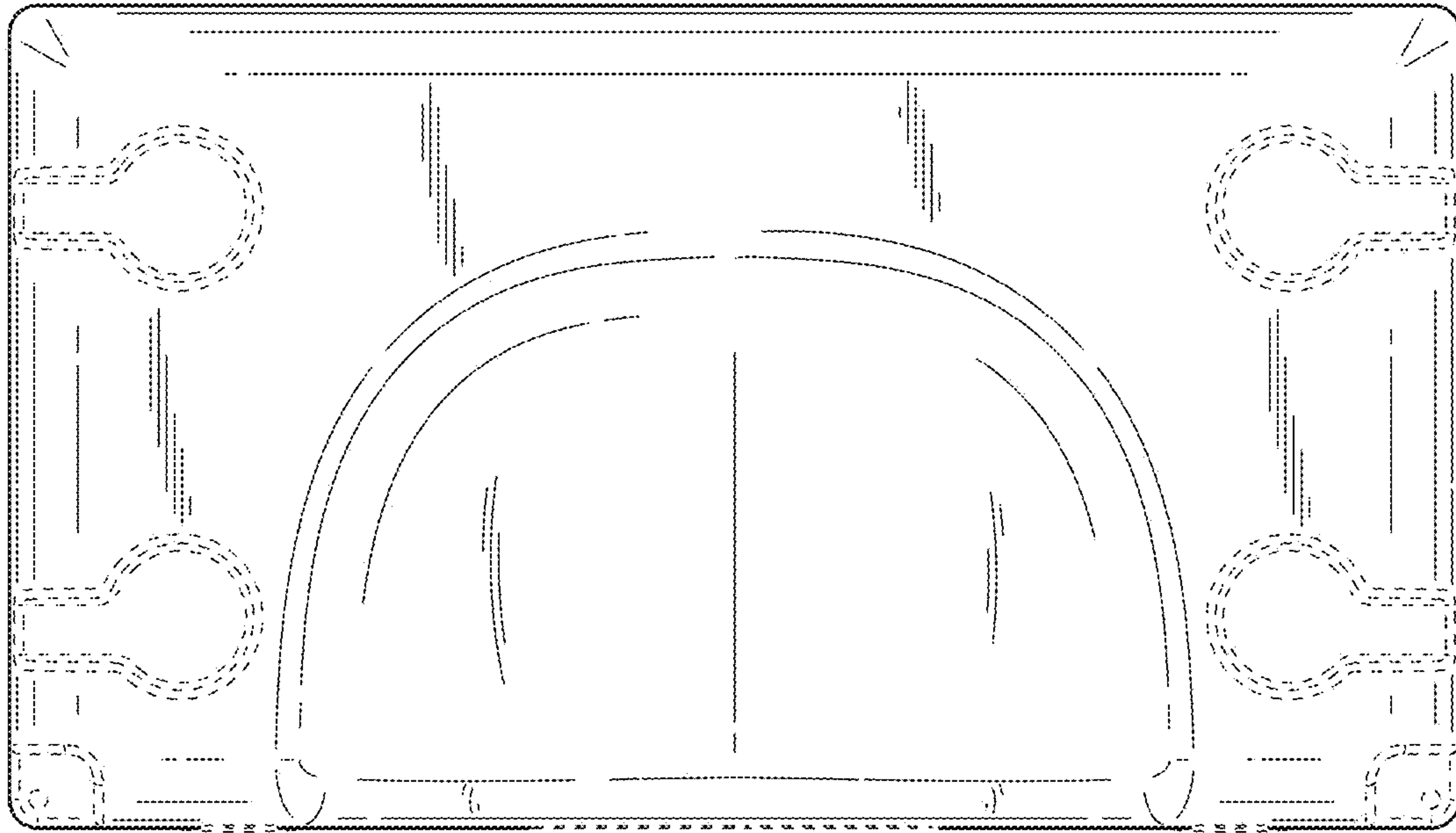


FIG. 6



FIG. 7