



US00D989556S

(12) **United States Design Patent**
Mock et al.

(10) **Patent No.:** **US D989,556 S**
(45) **Date of Patent:** **** Jun. 20, 2023**

(54) **QUAD BLADE UNIT**

(71) Applicant: **WHIRLPOOL CORPORATION**,
Benton Harbor, MI (US)
(72) Inventors: **Brandon T. Mock**, St. Joseph, MI
(US); **Yifan Wang**, St. Joseph, MI (US)
(73) Assignee: **Whirlpool Corporation**, Benton
Harbor, MI (US)

(**) Term: **15 Years**

(21) Appl. No.: **29/807,390**

(22) Filed: **Sep. 10, 2021**

(51) **LOC (14) Cl.** **31-00**

(52) **U.S. Cl.**

USPC **D7/412; D7/378**

(58) **Field of Classification Search**

USPC D7/378, 412–413, 510, 602, 629,
D7/665–666, 669, 679, 693–694;
D15/29, 147; D23/200

CPC .. A23N 1/00; A23N 1/02; A47G 19/22; A47J
43/04; A47J 43/25; A47J 43/042; A47J
43/044; A47J 43/046; A47J 43/075; A47J
43/0722; A47J 43/0727; A47J 43/0766;
B01F 3/00; B01F 3/0807; B01F 3/0853;
B01F 7/0025; B01F 13/0059; B01F
13/0064; B02C 1/08; B02C 2/04; B02C

(Continued)

(56) **References Cited**

U.S. PATENT DOCUMENTS

3,461,933 A 8/1969 Mantelet
4,733,827 A 3/1988 Williams

(Continued)

FOREIGN PATENT DOCUMENTS

CN 304008733 * 1/2017
CN 305674303 * 3/2020

(Continued)

OTHER PUBLICATIONS

Cuisinart Chopping Blade, Feb. 1, 2019, <https://www.amazon.com/Cuisinart-DLC-001TXB-Stainless-Steel-Chopping/dp/B07MCWGJZ2> (Year: 2019).*

(Continued)

Primary Examiner — Brett Miller
Assistant Examiner — Nader Abadir

(74) *Attorney, Agent, or Firm* — Price Heneveld LLP

(57) **CLAIM**

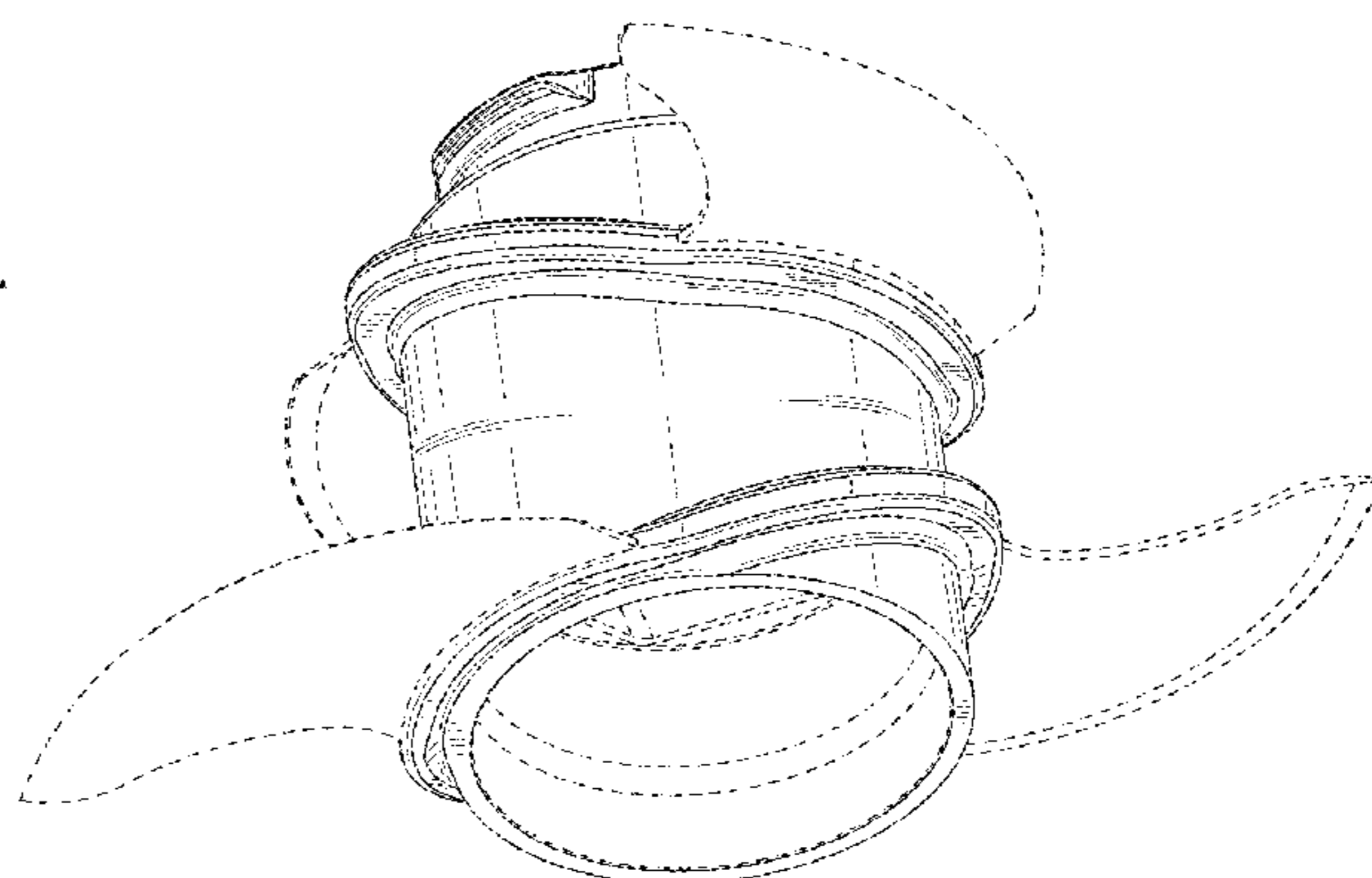
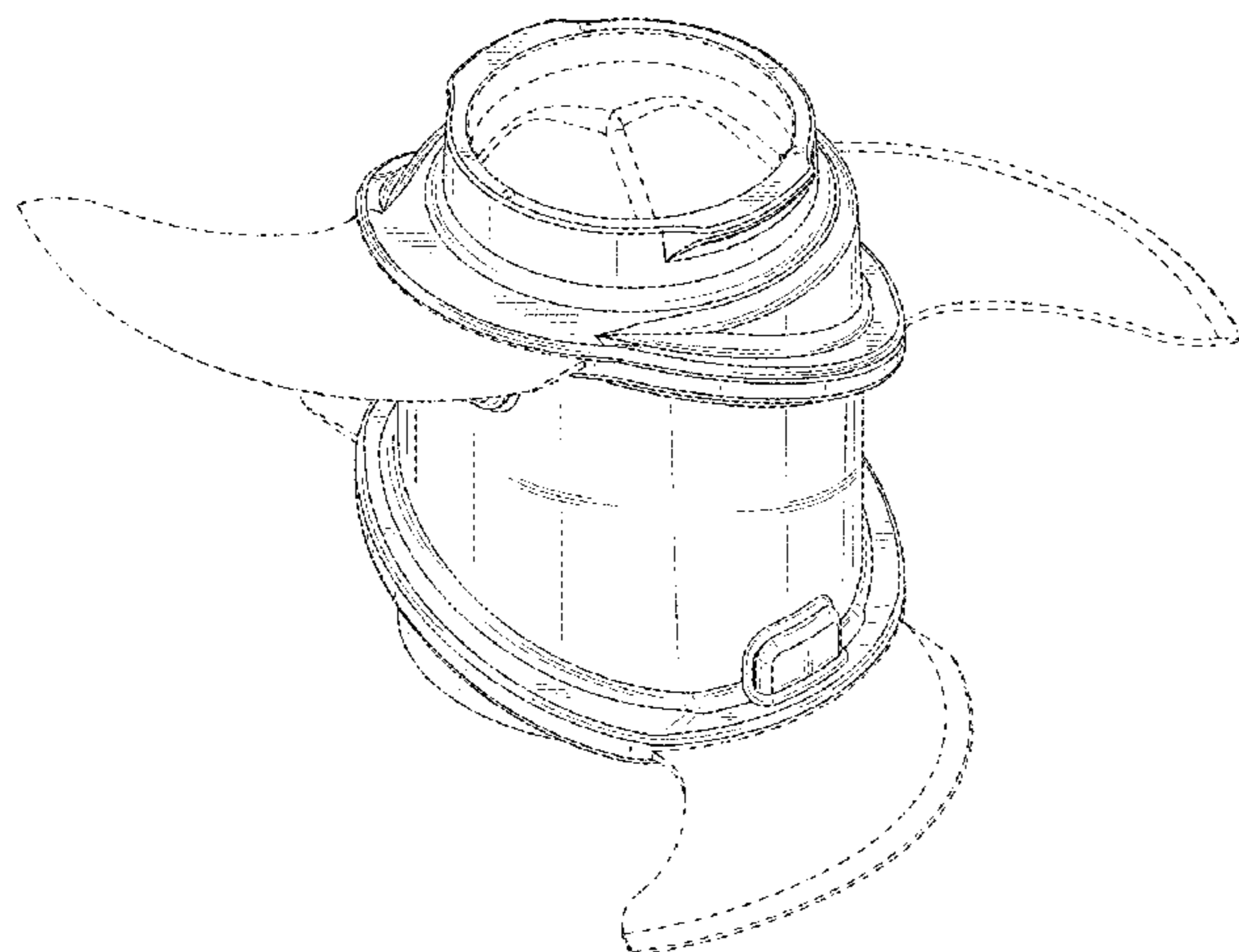
We claim the ornamental design for a quad blade unit, as shown and described.

DESCRIPTION

FIG. 1 is a first top perspective view of a quad blade unit of the present disclosure;
FIG. 2 is a first bottom perspective view of the quad blade unit of FIG. 1;
FIG. 3 is a second top perspective view of the quad blade unit of FIG. 1;
FIG. 4 is a second bottom perspective view of the quad blade unit of FIG. 1;
FIG. 5 is a first side elevational view of the quad blade unit of FIG. 1;
FIG. 6 is a second side elevational view of the quad blade unit of FIG. 1;
FIG. 7 is a front elevational view of the quad blade unit of FIG. 1;
FIG. 8 is a rear side elevational view of the quad blade unit of FIG. 1;
FIG. 9 is a top plan view of the quad blade unit of FIG. 1; and,
FIG. 10 is a bottom plan view of the quad blade unit of FIG. 1.

The broken lines depict portions of the article that form no part of the claimed design.

1 Claim, 10 Drawing Sheets



(58) **Field of Classification Search**

CPC 4/42; B02C 4/142; B02C 4/143; B02C
4/423; B02C 13/1835; B28C 5/10; B28C
5/12

See application file for complete search history.

(56)

References Cited

U.S. PATENT DOCUMENTS

4,817,878	A	4/1989	Shibata	
D324,201	S	2/1992	Hannon et al.	
5,487,511	A *	1/1996	Sansone H04L 61/00 241/292.1
D421,546	S	3/2000	Ekstrom	
6,532,863	B1	3/2003	Lee	
D604,101	S *	11/2009	Sands D7/378
D622,095	S *	8/2010	Metaxatos D7/383
D623,890	S *	9/2010	Metaxatos D7/376
D647,364	S *	10/2011	Audette D7/378
D647,365	S *	10/2011	Audette D7/378
D663,586	S *	7/2012	Audette D7/378
D668,115	S *	10/2012	Potter D7/378
D682,030	S *	5/2013	Ezechukwu D7/412
D696,070	S *	12/2013	Audette D7/378
8,702,300	B2	4/2014	Audette	
D708,902	S *	7/2014	Audette D7/378
D709,324	S *	7/2014	Guo D7/378
D729,573	S *	5/2015	Moon D7/378
D761,056	S	7/2016	Kemker	

D927,932	S *	8/2021	Mock D7/378
D947,610	S *	4/2022	Mock D7/378
2010/0246320	A1	9/2010	Sands	

FOREIGN PATENT DOCUMENTS

CN	305855716	*	6/2020
IN	233964-0001	*	8/2011
IN	233965-0001	*	8/2011

OTHER PUBLICATIONS

Enbizio 4 Blade Replacement, Jun. 26, 2017, <https://www.amazon.com/Genuine-Ninja-Master-QB900B-pitcher/dp/B073C1QJQ1> (Year: 2007).*

Ninja Replacement Blade, Dec. 3, 2015, <https://www.amazon.com/Ninja-Blender-64oz-Processor-Blade/dp/B018WIE5VQ> (Year: 2015).*

MMTH Blender Blade, Jun. 17, 2018, <https://www.amazon.com/Ninja-Master-Blender-Pitcher-Container/dp/B07TBSM984> (Year: 2018).*

LYTIO Chopping Blade, Feb. 20, 2020, <https://www.amazon.com/Replacement-Stainless-CT680CO2SS-CT680SSCCO-319KKU770/dp/B084ZXBW8R> (Year: 2020).*

Commonly assigned co-pending U.S. Appl. No. 29/803,777, filed Aug. 16, 2021, including filing receipt, application, appendix, and drawings, 27 pages.

* cited by examiner

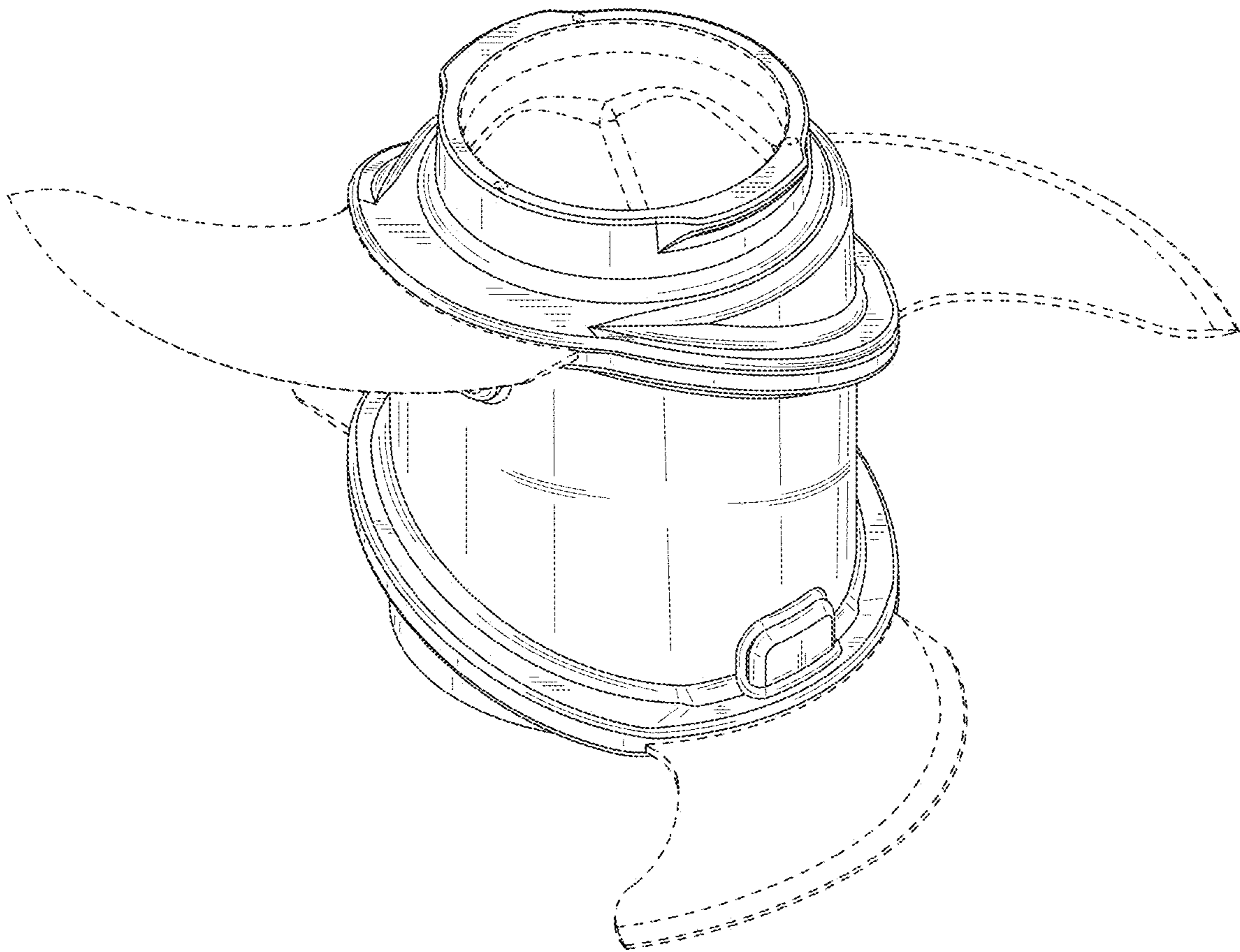


FIG. 1

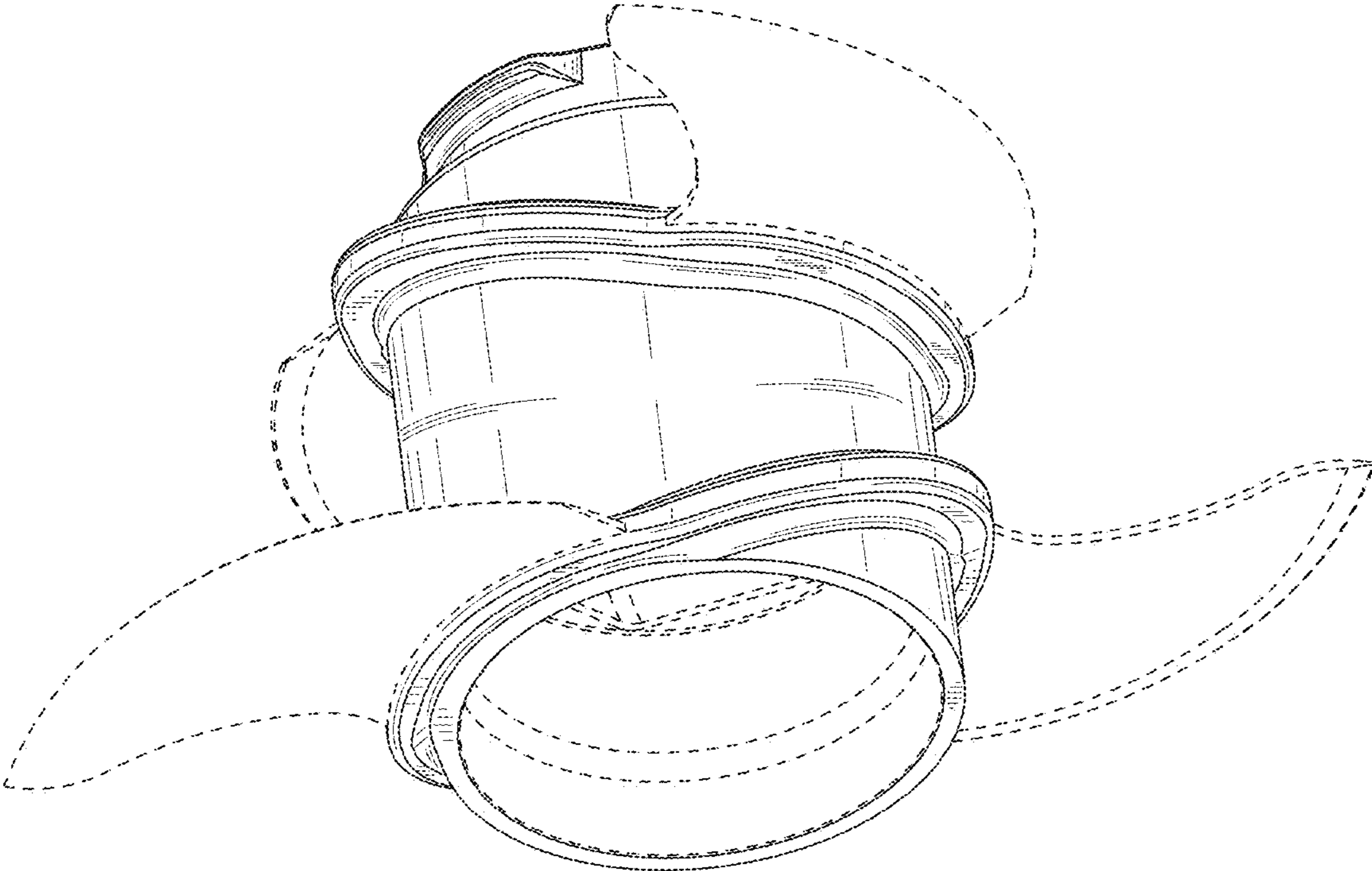


FIG. 2

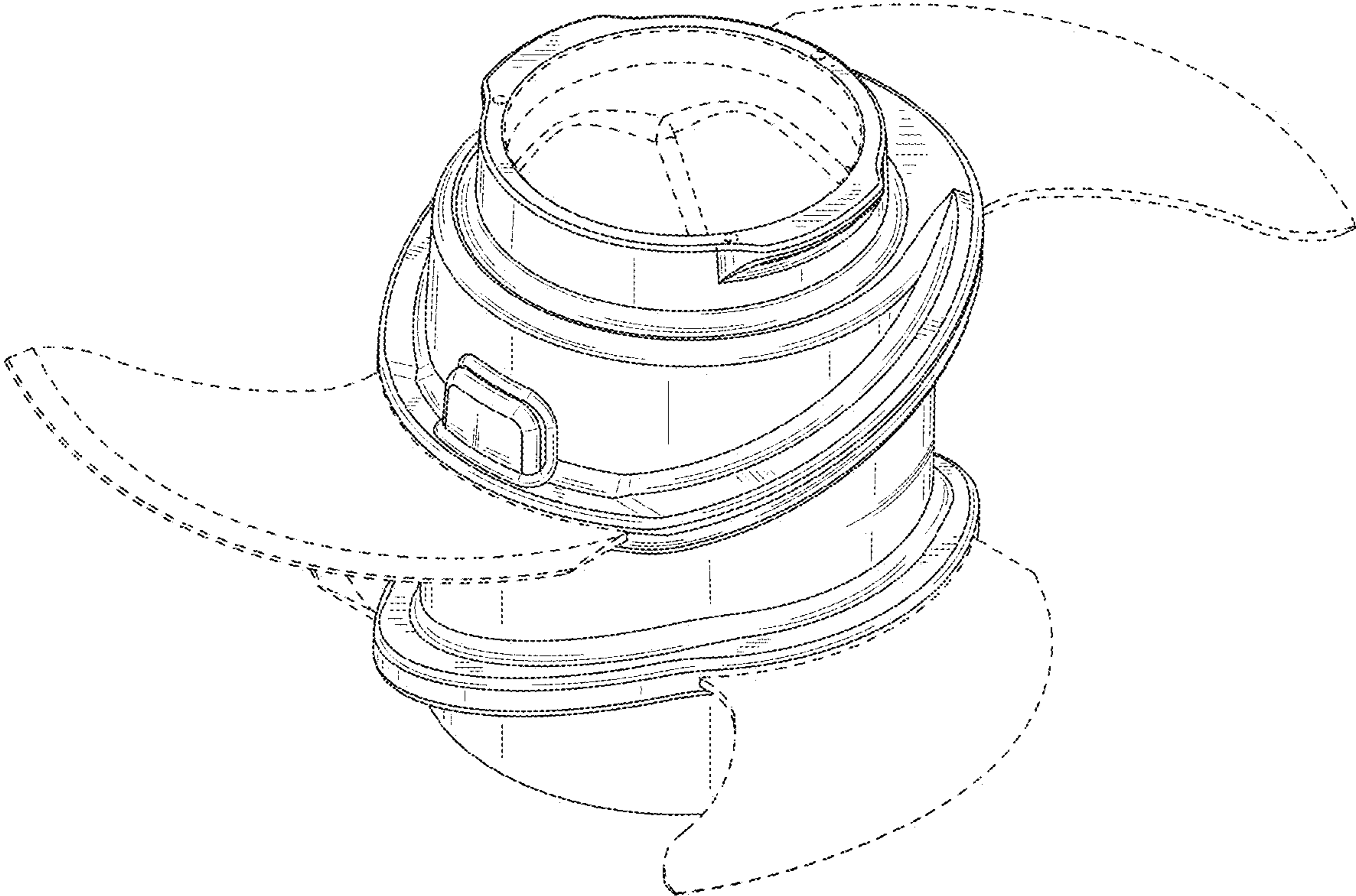


FIG. 3

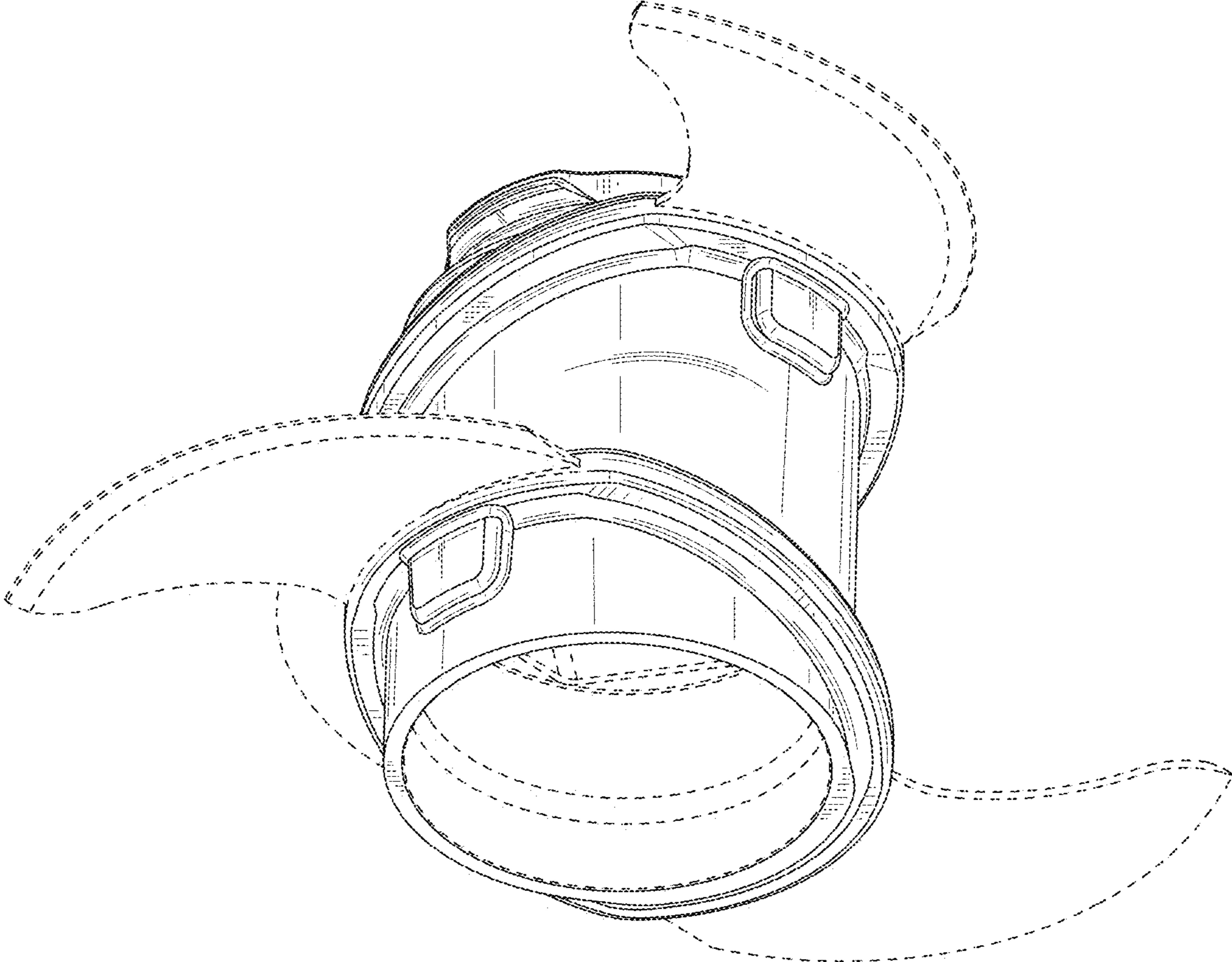


FIG. 4

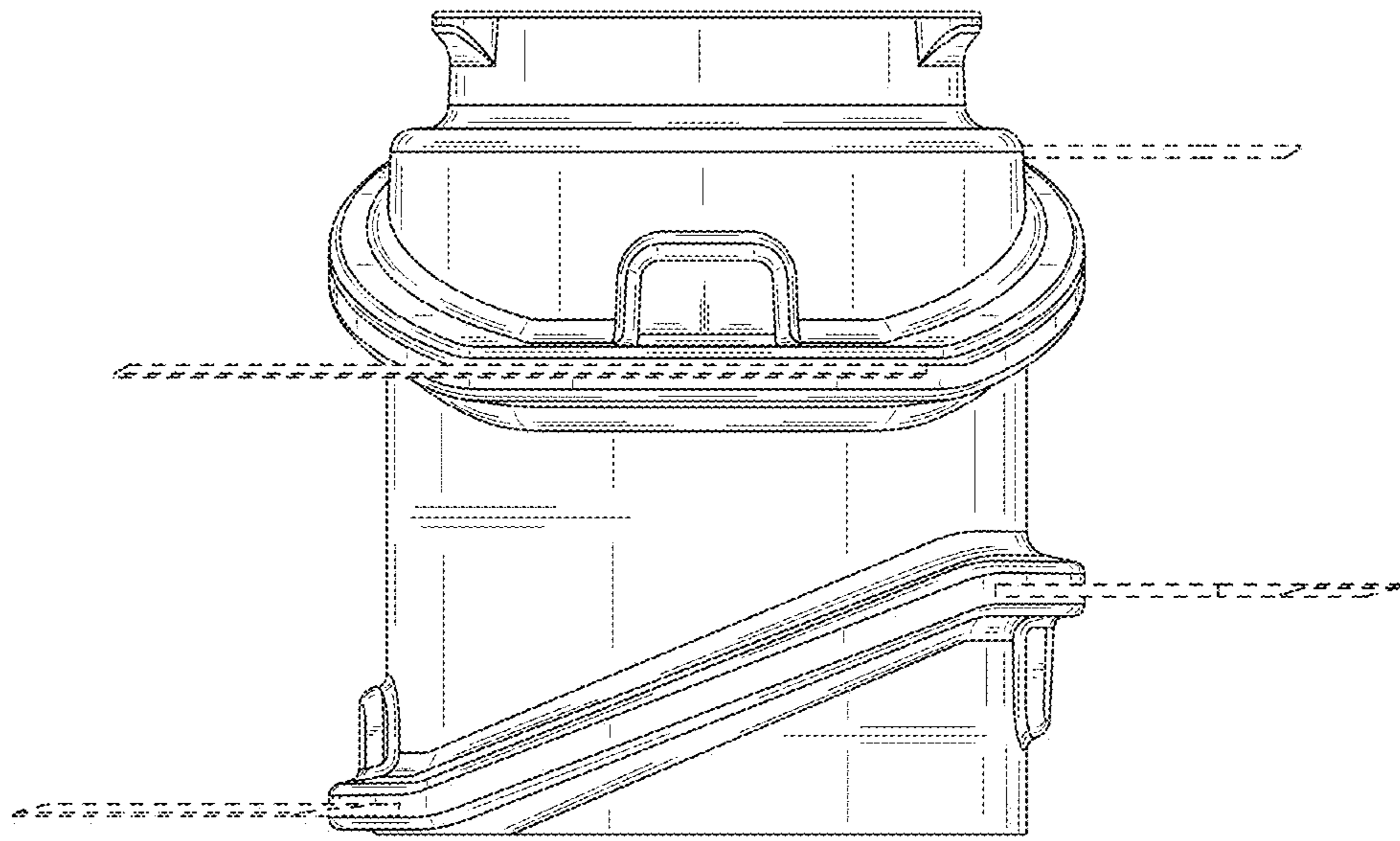


FIG. 5

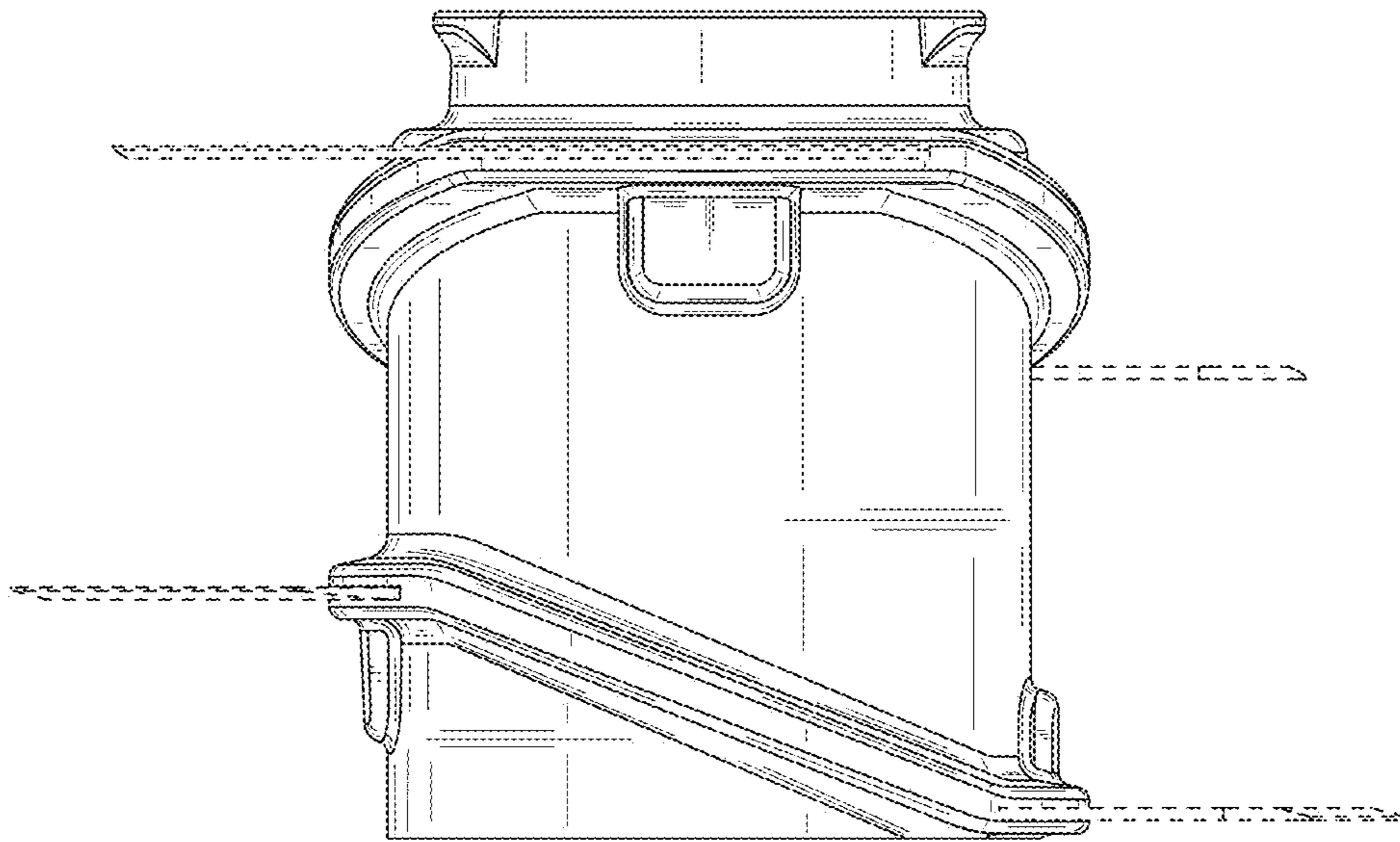


FIG. 6

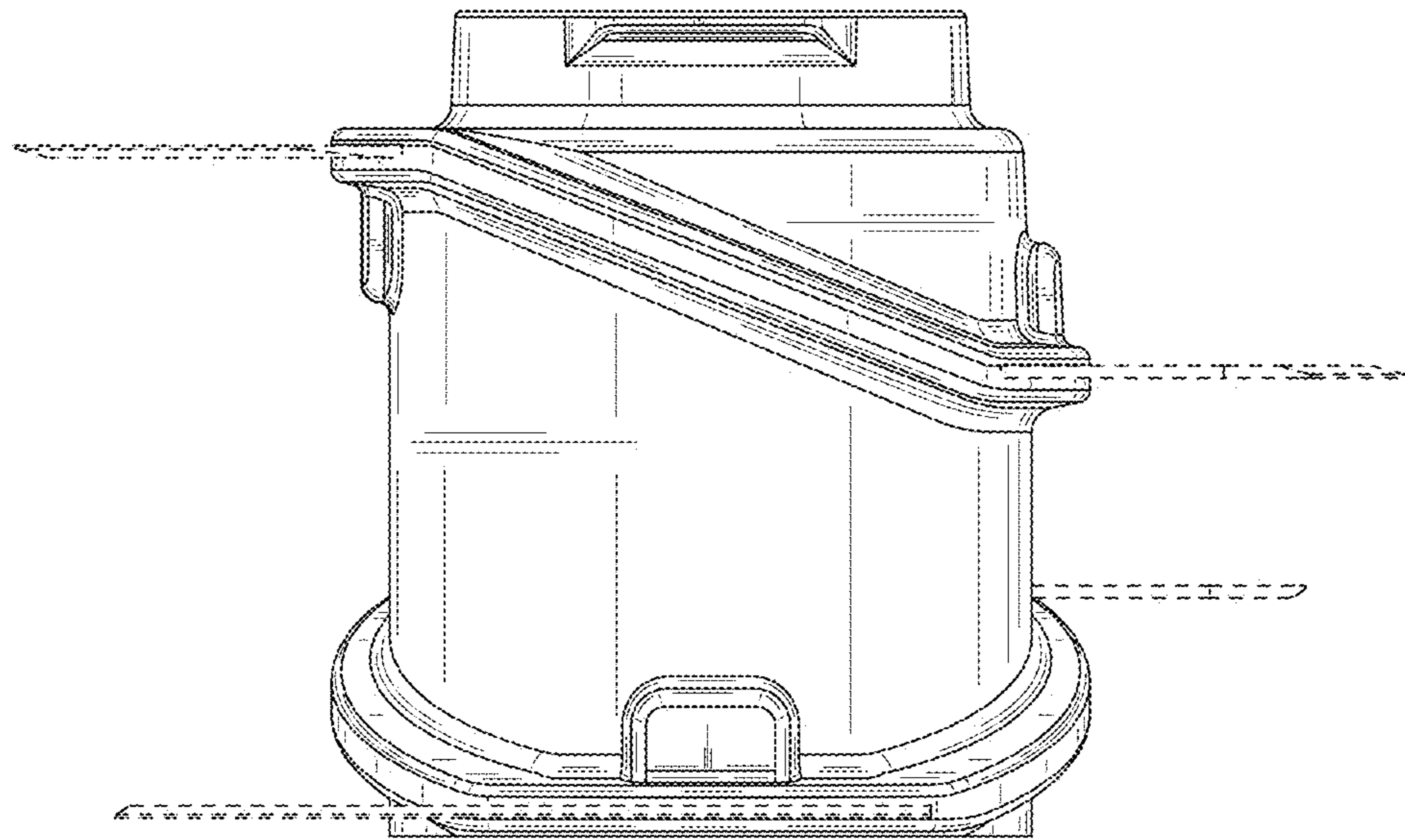


FIG. 7

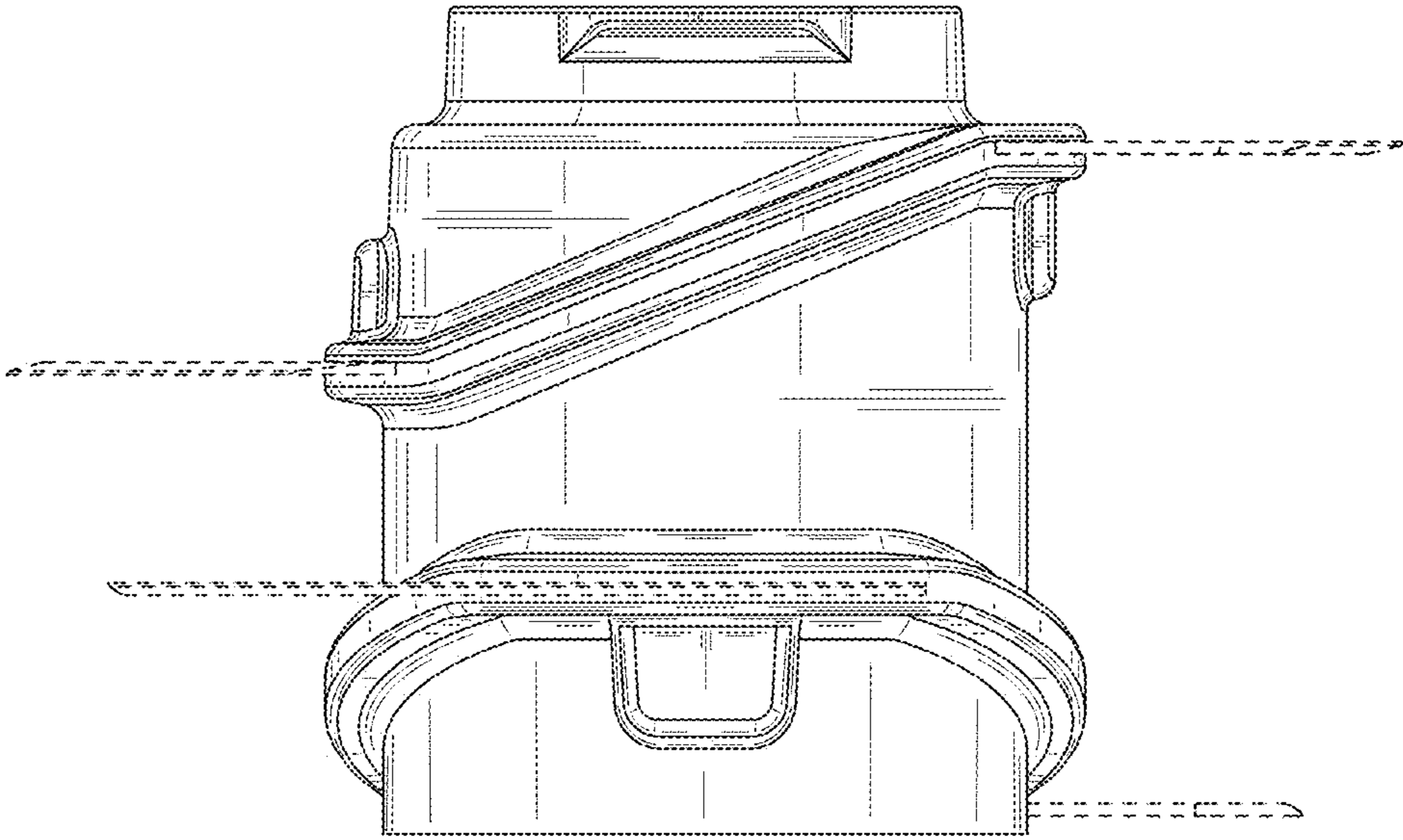


FIG. 8

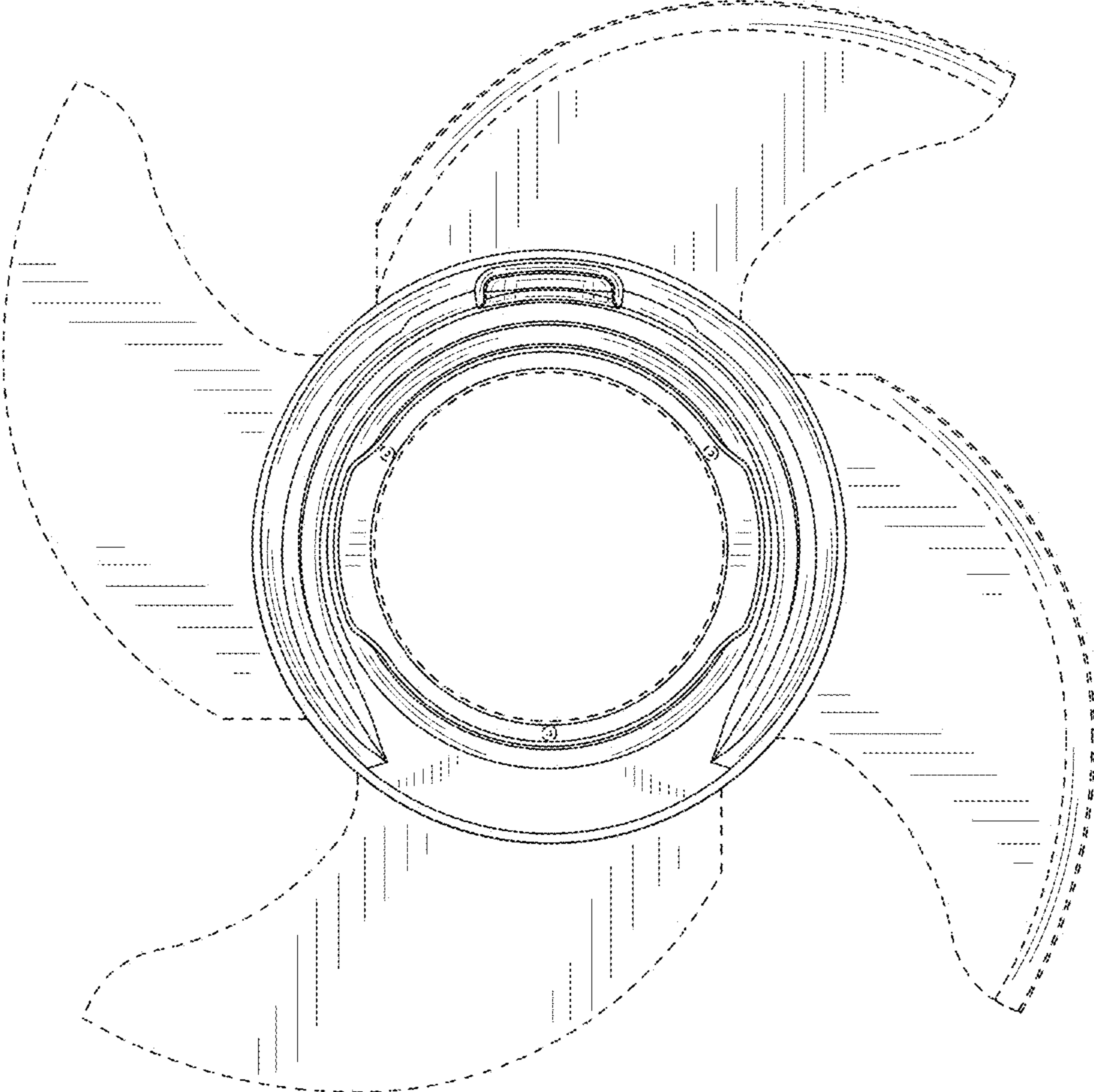


FIG. 9

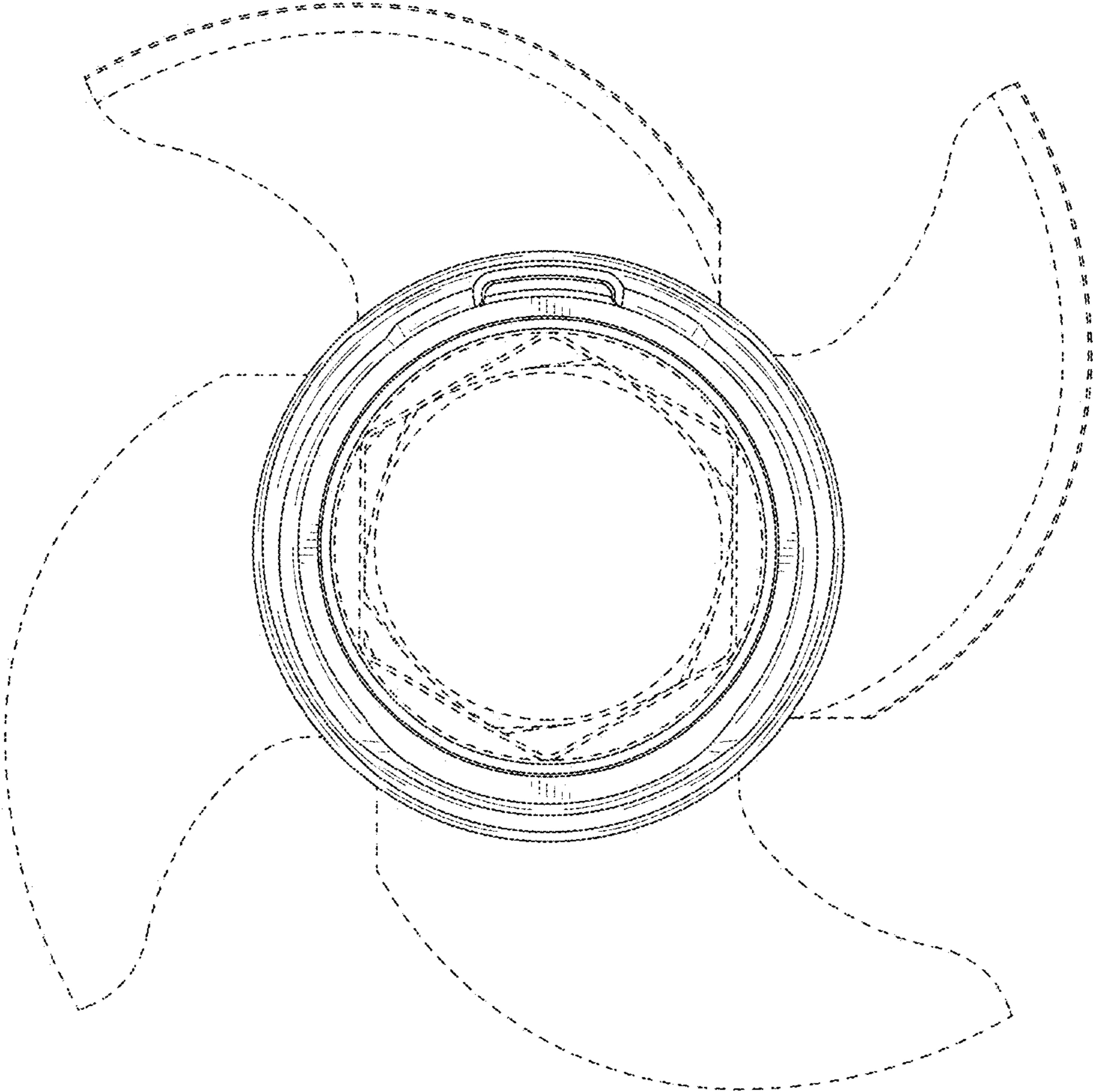


FIG. 10