



US00D989555S

(12) **United States Design Patent**
Rogers et al.

(10) **Patent No.:** **US D989,555 S**
(45) **Date of Patent:** **** Jun. 20, 2023**

(54) **CUTTER HEAD FOR CUTTING FOOD PRODUCTS**

(74) *Attorney, Agent, or Firm* — Bereskin & Parr LLP/S.E.N.C.R.L., s.r.l.

(71) Applicant: **McCain Foods Limited**,
Florenceville-Bristol (CA)

(57) **CLAIM**

The ornamental design for a cutter head for cutting food products, as shown and described.

(72) Inventors: **David M. Rogers**, Skiff Lake (CA);
John Warren Aikens, New Maryland (CA)

DESCRIPTION

(73) Assignee: **McCain Foods Limited**,
Florenceville-Bristol (CA)

FIG. 1 is a top perspective view of a cutter head for cutting food products showing our new design, in accordance with a first embodiment;

(**) Term: **15 Years**

FIG. 2 is a bottom perspective view thereof;

(21) Appl. No.: **29/777,466**

FIG. 3 is a front elevation view thereof;

(22) Filed: **Apr. 6, 2021**

FIG. 4 is a rear elevation view thereof;

(51) **LOC (14) Cl.** **31-00**

FIG. 5 is a left side elevation view thereof;

(52) **U.S. Cl.**

FIG. 6 is a right side elevation view thereof;

USPC **D7/383**; D7/412

FIG. 7 is a top plan view thereof;

(58) **Field of Classification Search**

FIG. 8 is a bottom plan view thereof;

USPC D1/120, 125, 199; D7/368, 372,
D7/376–387, 400, 412–13, 669, 673,
D7/675–679, 665, 667; D8/98

FIG. 9 is a top perspective view of a cutter head for cutting food products showing our new design, in accordance with a second embodiment;

(Continued)

FIG. 10 is a bottom perspective view thereof;

(56) **References Cited**

U.S. PATENT DOCUMENTS

4,657,255 A * 4/1987 Seres A63F 7/04
273/153 S
5,293,803 A * 3/1994 Foster B26D 1/0006
83/672

FIG. 11 is a front elevation view thereof;

FIG. 12 is a rear elevation view thereof;

FIG. 13 is a left side elevation view thereof;

FIG. 14 is a right side elevation view thereof;

FIG. 15 is a top plan view thereof;

FIG. 16 is a bottom plan view thereof;

FIG. 17 is a top perspective view of a cutter head for cutting food products showing our new design, in accordance with a third embodiment;

FIG. 18 is a bottom perspective view thereof;

FIG. 19 is a front elevation view thereof;

FIG. 20 is a rear elevation view thereof;

FIG. 21 is a left side elevation view thereof;

FIG. 22 is a right side elevation view thereof;

FIG. 23 is a top plan view thereof; and,

FIG. 24 is a bottom plan view thereof.

Portions of the cutter head for cutting food products illustrated in broken lines form no part of the claimed design.

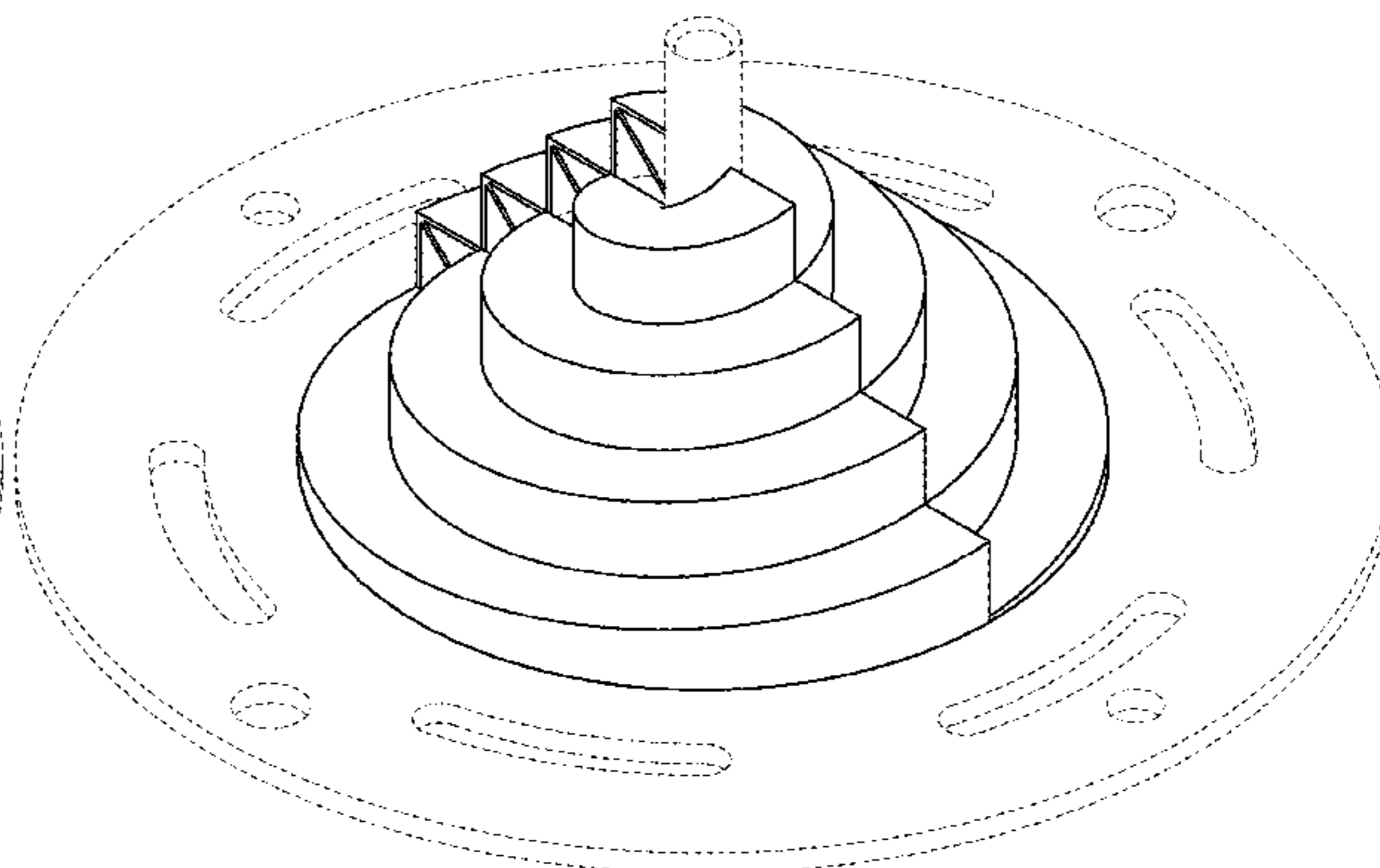
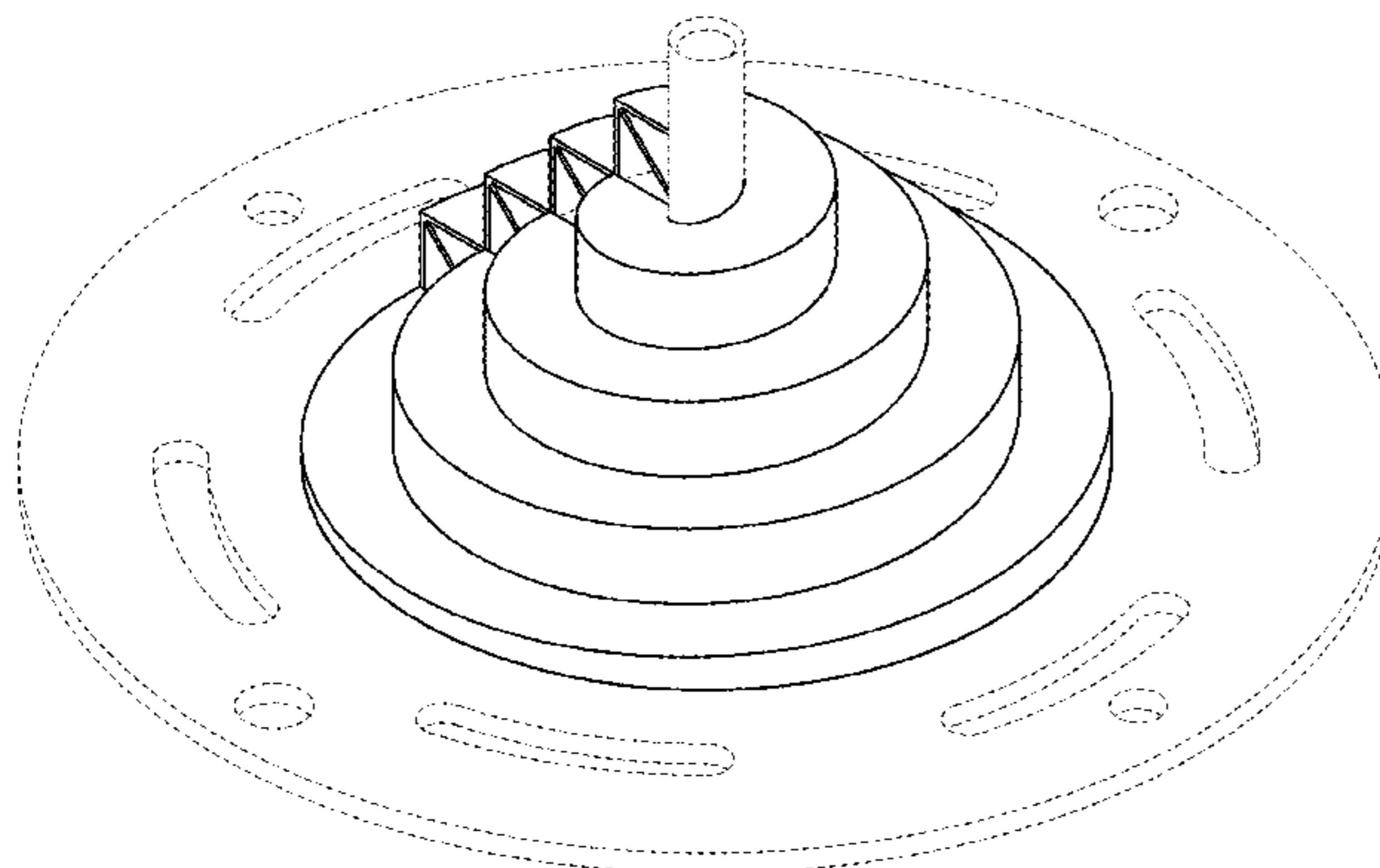
FOREIGN PATENT DOCUMENTS

CA 187480 10/2020
CA 187481 10/2020

(Continued)

Primary Examiner — Nicole C Shiflet
Assistant Examiner — Yen Le Southwood

1 Claim, 18 Drawing Sheets



(58) **Field of Classification Search**

CPC .. A47J 17/02; A47J 25/00; A47J 42/00; A47J
43/04; A47J 43/06; A47J 43/07; A47J
43/0722; A47J 43/0727; A47J 43/255;
A47J 43/284; B65D 71/00; B26D 3/11;
B26D 1/0006; B26D 1/28; A63F 7/04;
F16C 17/10

See application file for complete search history.

FOREIGN PATENT DOCUMENTS

CA	187482	10/2020
CA	187483	10/2020
CA	191632 S	11/2021
CA	196192 S	11/2021
CA	196281 S	11/2021
CN	306201139 S	1/2020
CN	306031421 S	4/2020
CN	306271707 S	1/2021
CN	306362558 S	3/2021
CN	306407377 S	3/2021
EM	006438297-0001	6/2019
EM	006438297-0002	6/2019
EM	006438297-0003	6/2019
EM	006438297-0004	6/2019
EM	006438297-0005	6/2019
EM	006438297-0006	6/2019
EM	006438297-0007	6/2019
EM	006438297-0008	6/2019
EM	008010771-0001	7/2020
EM	008050926-0001	8/2020
EM	008051767-0001	8/2020
EM	008008593-0001	10/2020
EM	008708424-0001	* 11/2021
EM	008708424-0002	* 11/2021
EM	008708424-0003	* 11/2021
GB	6185192	1/2022
NZ	426022-0001	* 8/2020
NZ	426023-0001	* 8/2020
NZ	426024-0001	* 8/2020
NZ	426025-0001	* 8/2020

(56) **References Cited**

U.S. PATENT DOCUMENTS

D603,133 S	11/2009	Schalk et al.	
D621,578 S	8/2010	Farkas et al.	
D729,492 S *	5/2015	Rogers	D1/125
D745,244 S *	12/2015	Rogers	D1/199
D748,366 S *	2/2016	Rogers	D1/125
D813,491 S *	3/2018	Walker	D1/125
D894,681 S	9/2020	Julian	
D894,682 S	9/2020	Julian	
D895,358 S	9/2020	Julian	
D895,359 S	9/2020	Julian	
D895,360 S	9/2020	Monk et al.	
D896,033 S	9/2020	Monk et al.	
D901,828 S *	11/2020	Monk	D1/125
D922,142 S	6/2021	Monk et al.	
D922,143 S	6/2021	Monk et al.	
D922,822 S	6/2021	Monk et al.	
D922,823 S	6/2021	Monk et al.	
D942,116 S	2/2022	Abboushi	
2015/0119861 A1	4/2015	Miyata et al.	
2018/0222075 A1 *	8/2018	Julian	B26D 1/28
2018/0222076 A1 *	8/2018	Julian	F16C 17/10
2020/0147824 A1	5/2020	Julian et al.	

* cited by examiner

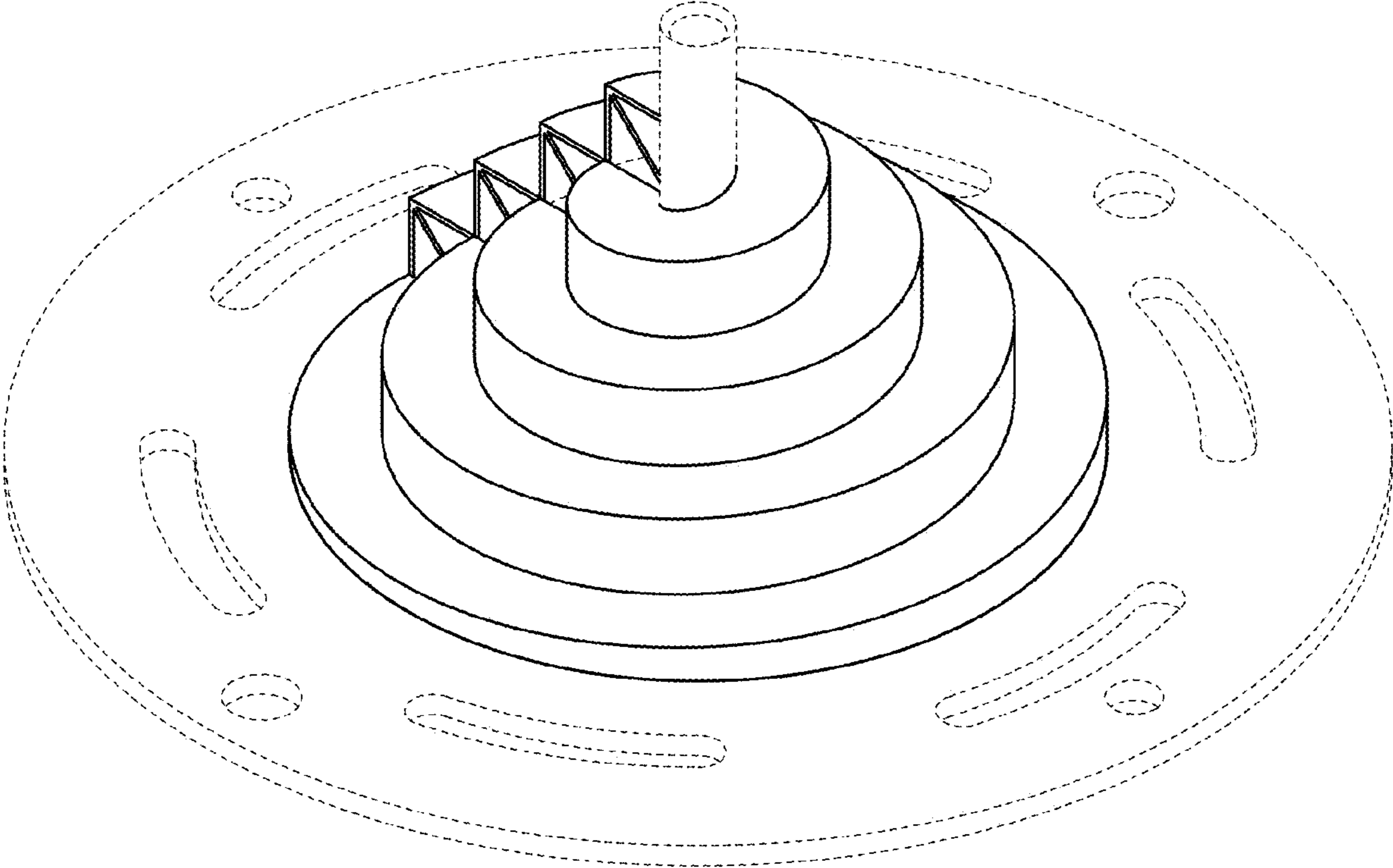


FIG. 1

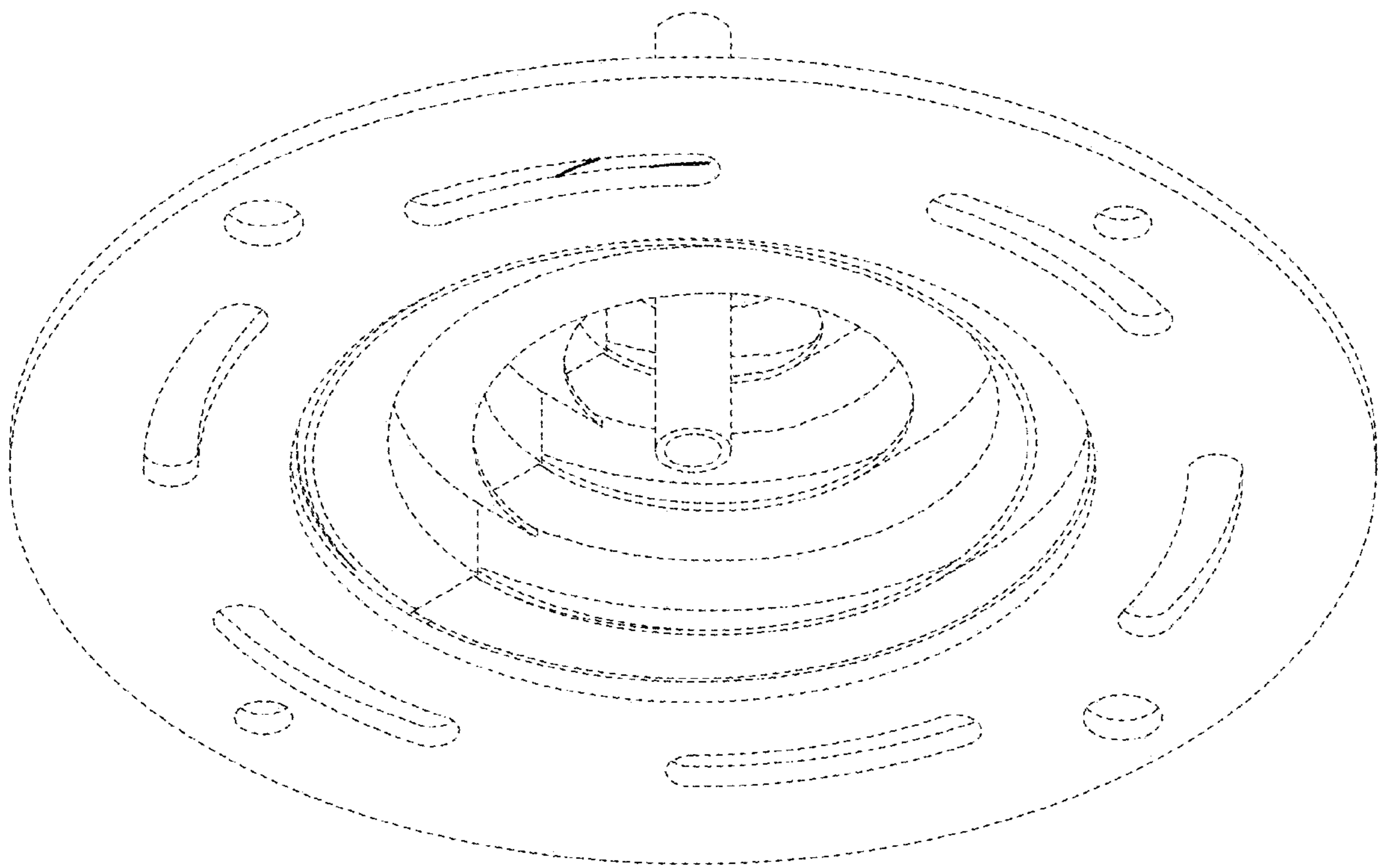


FIG. 2

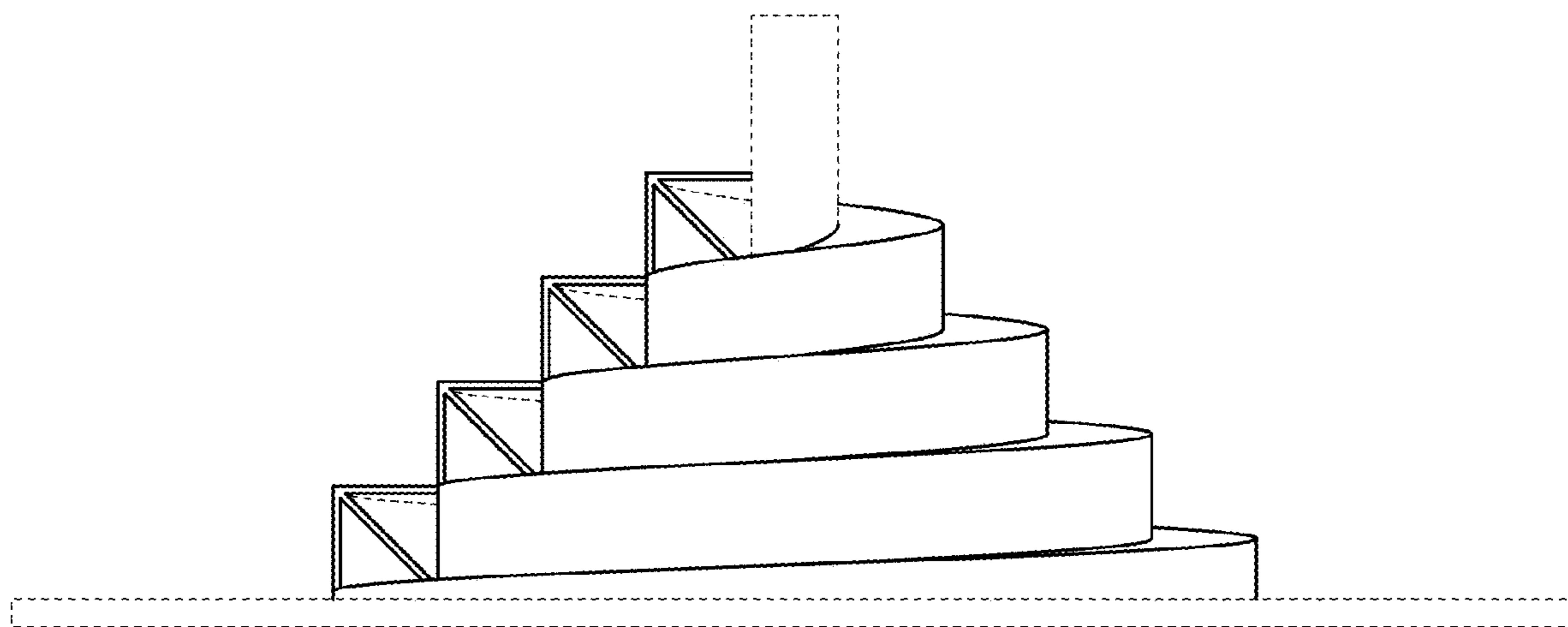


FIG. 3

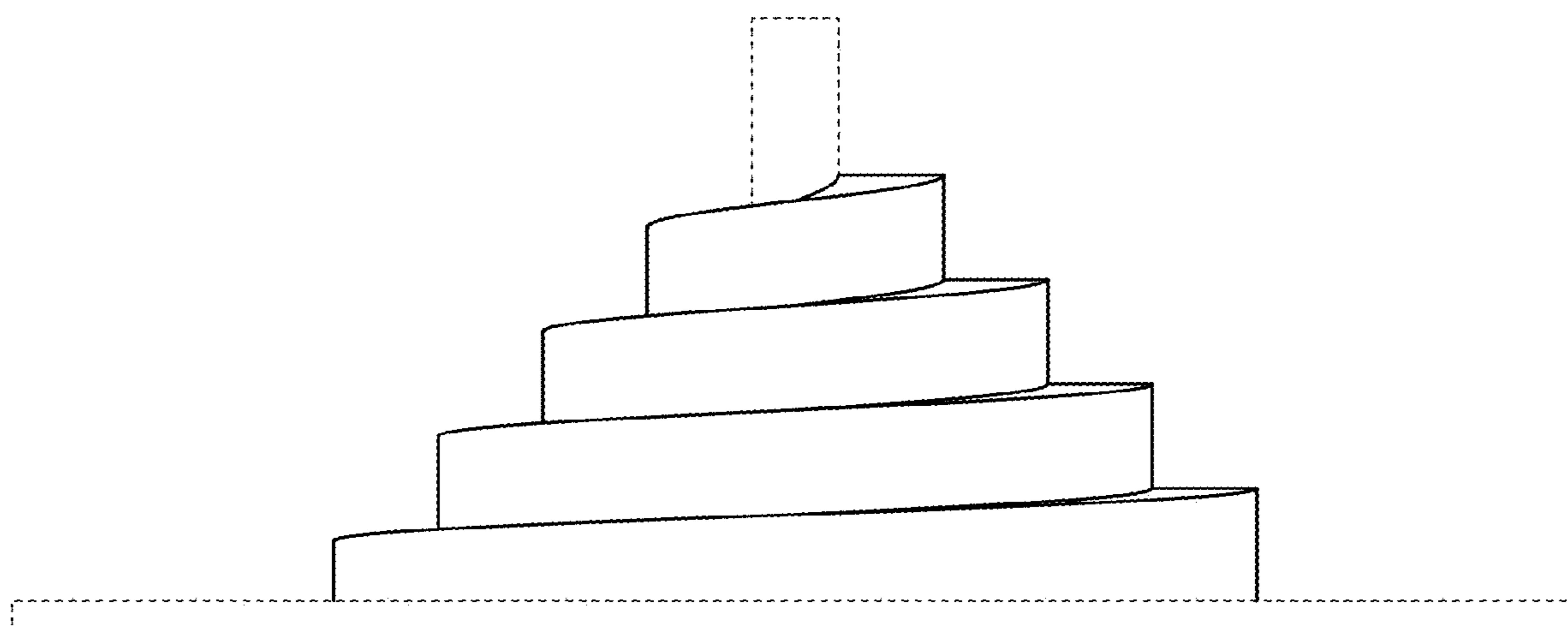


FIG. 4

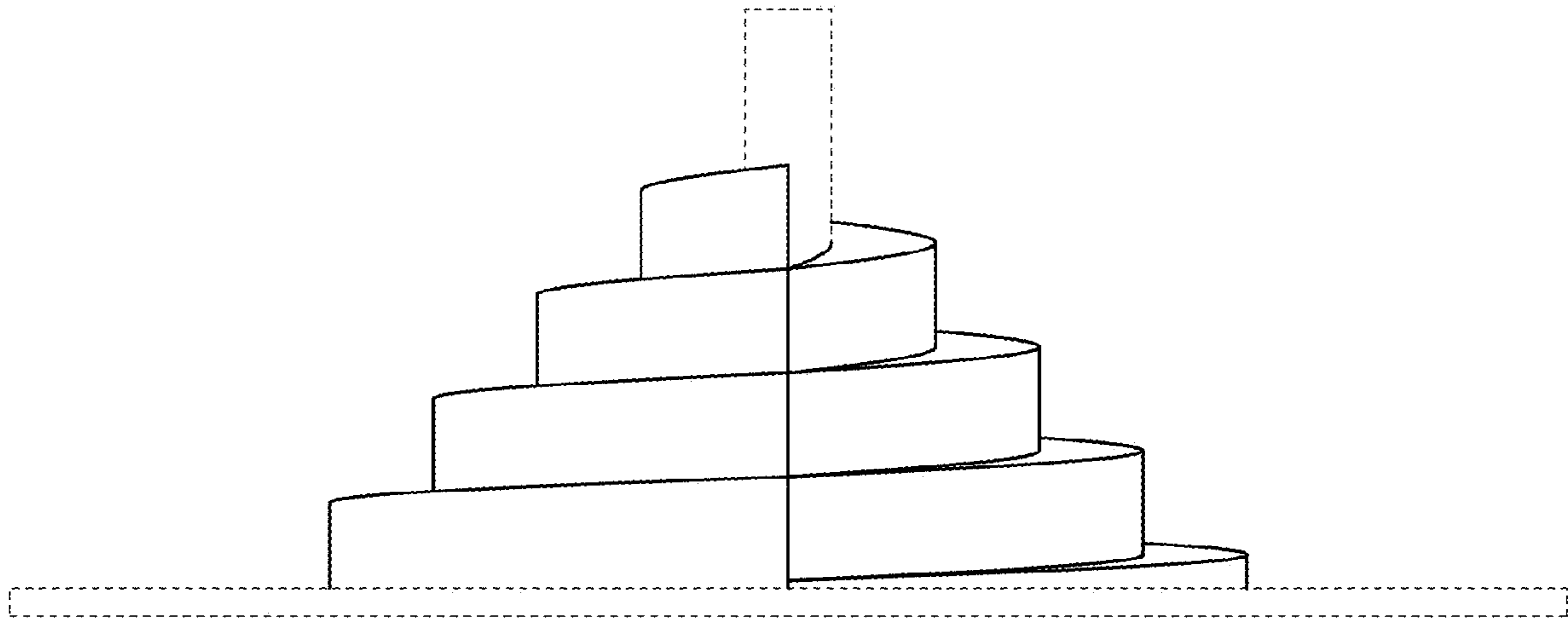


FIG. 5

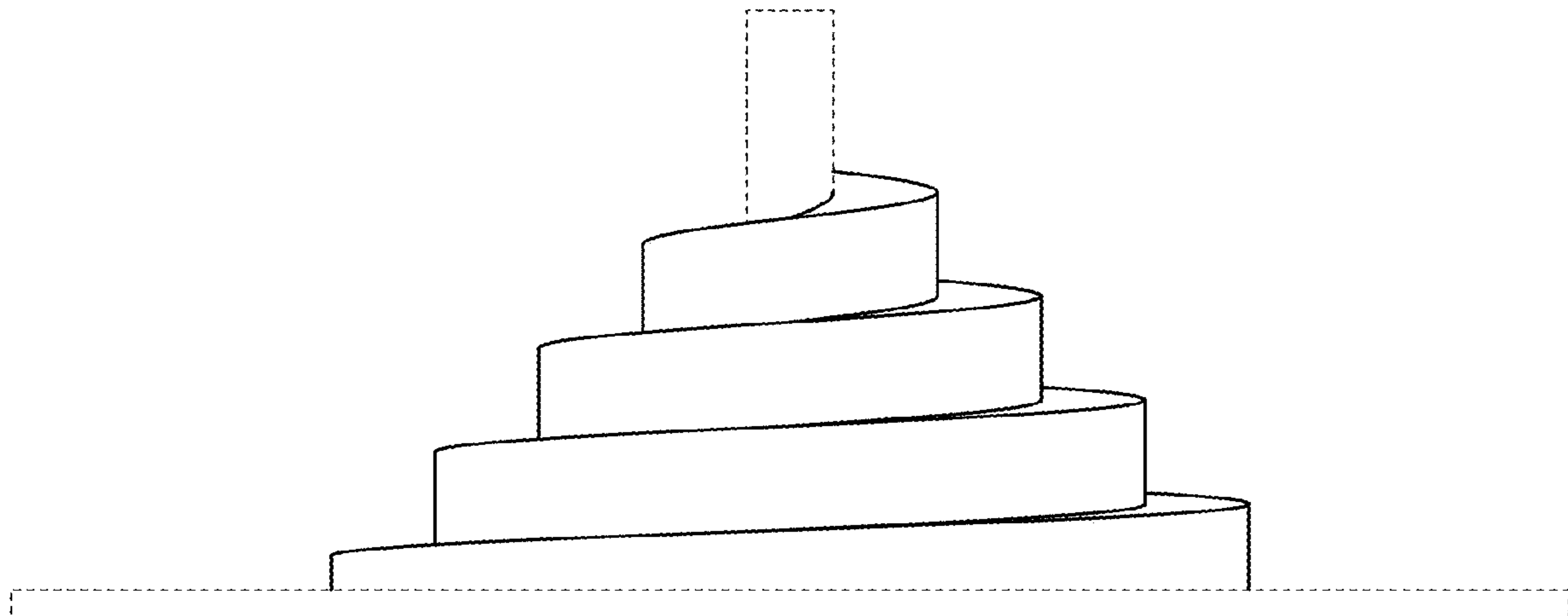


FIG. 6

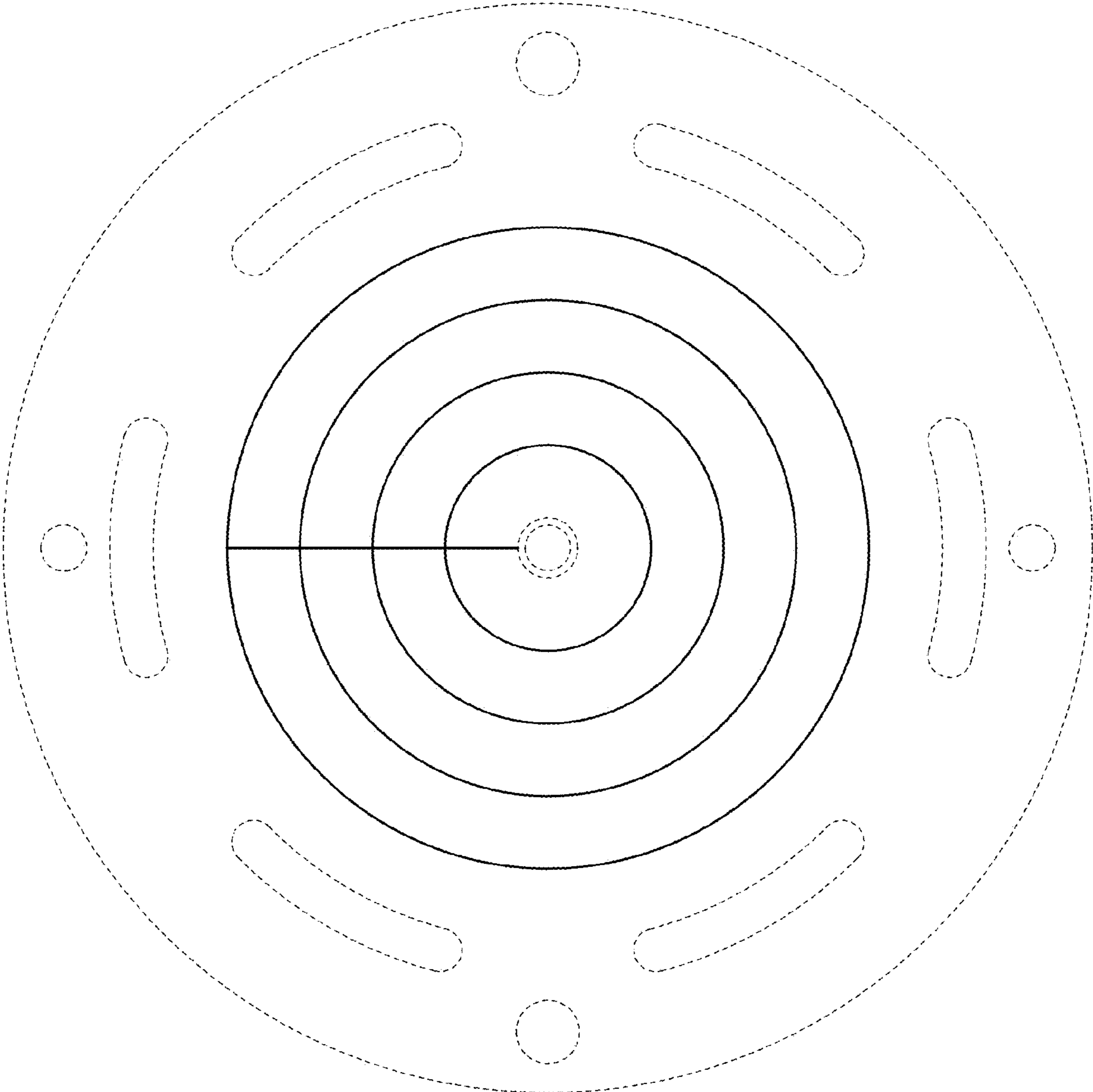


FIG. 7

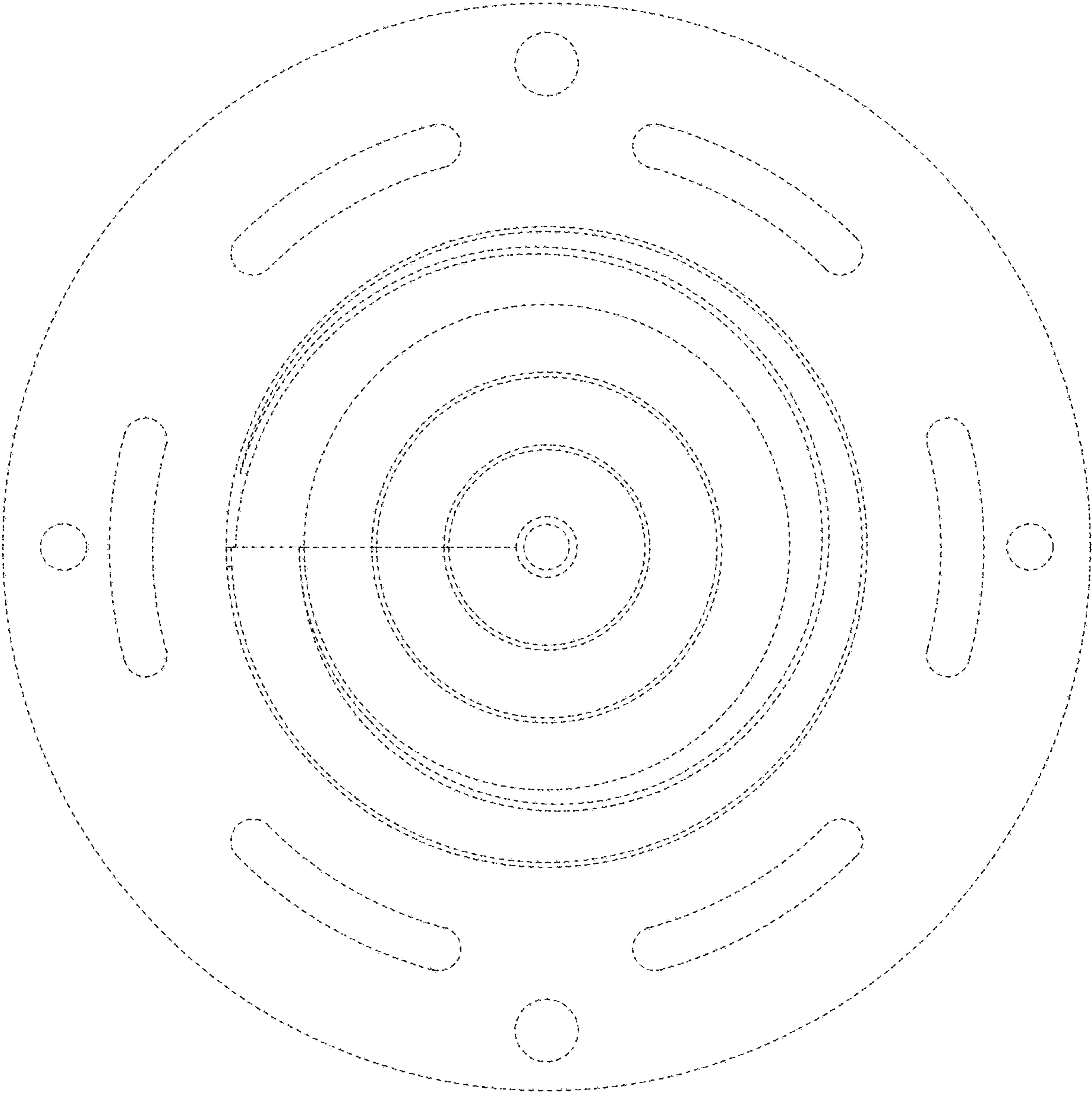


FIG. 8

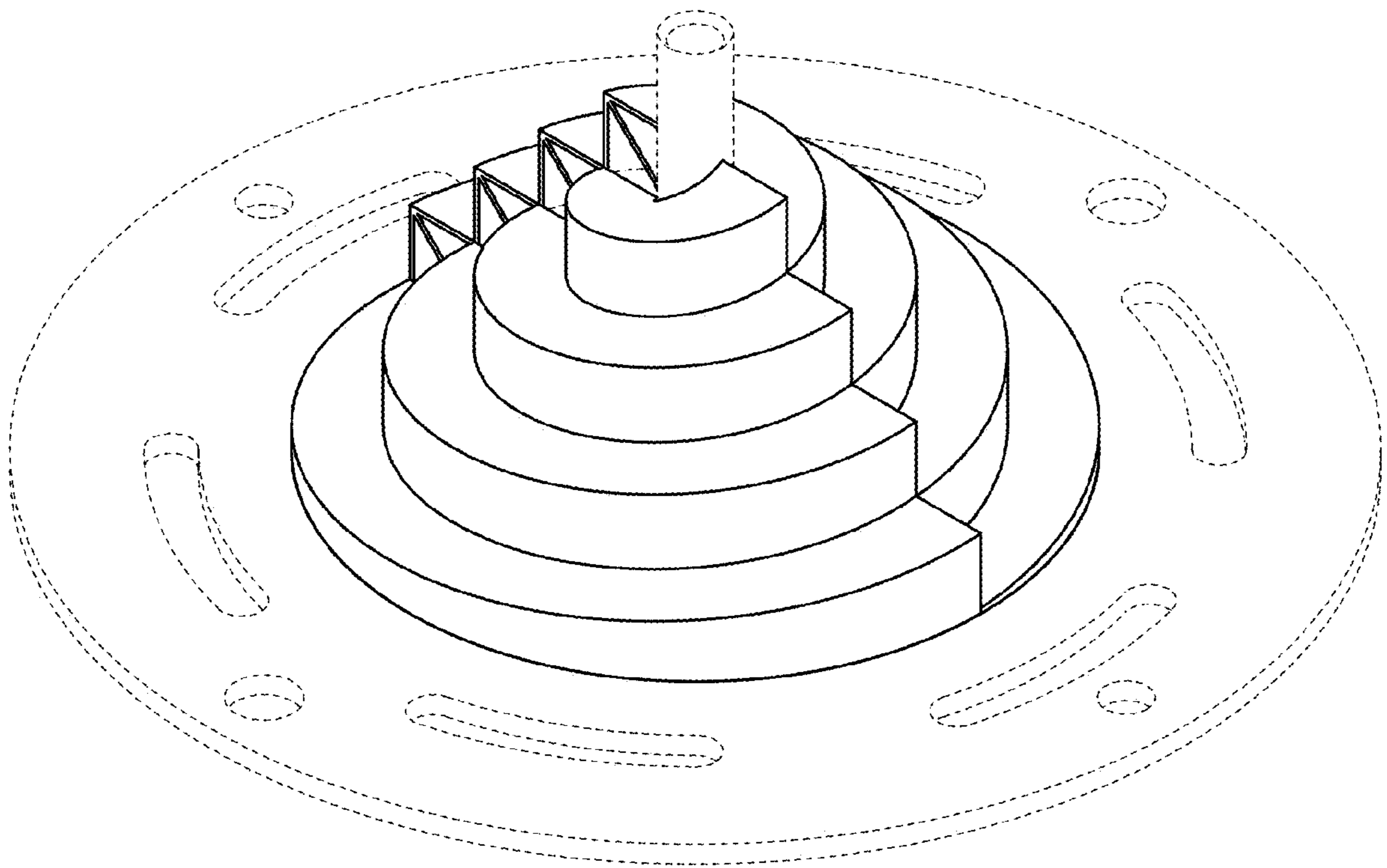


FIG. 9

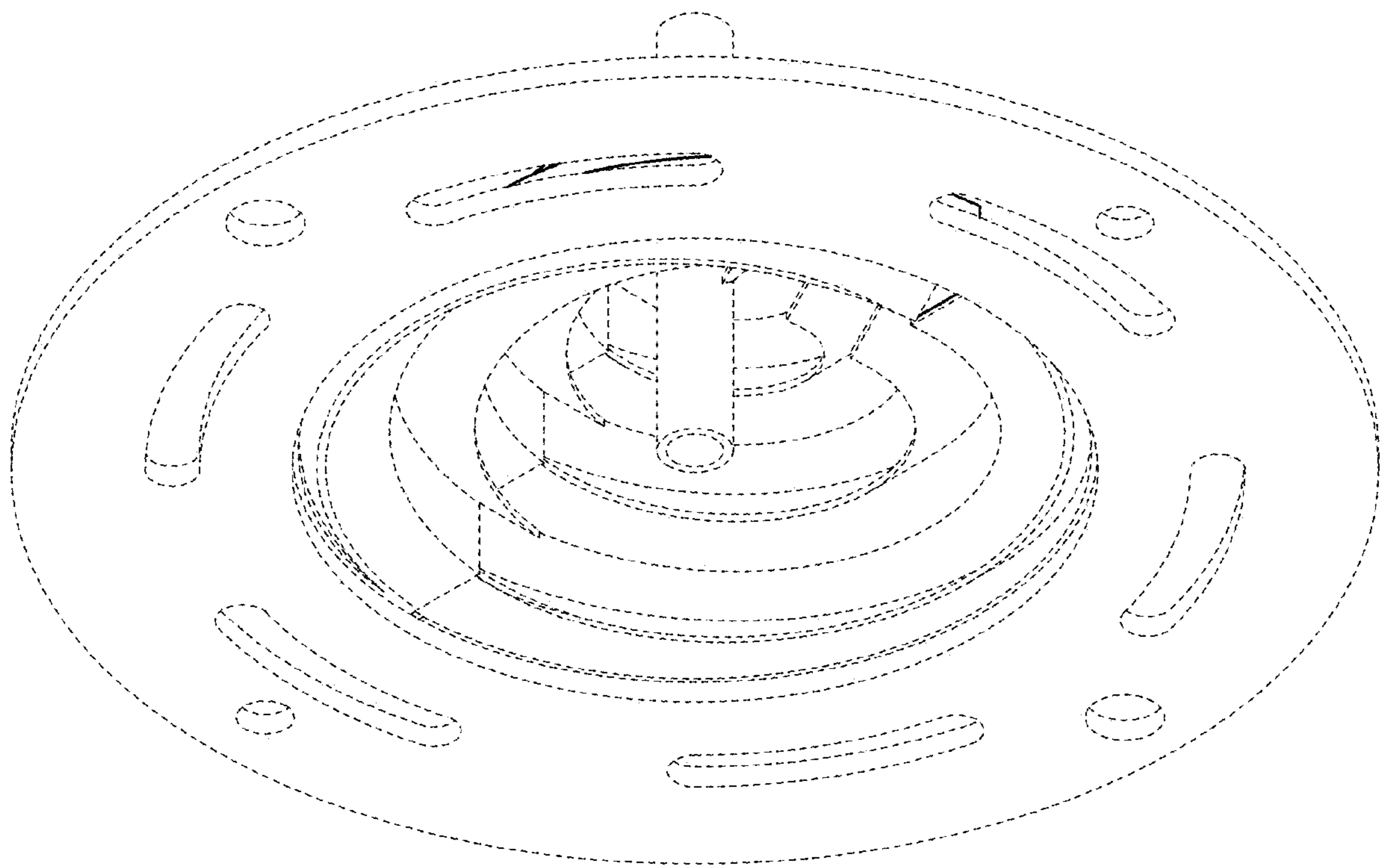


FIG. 10

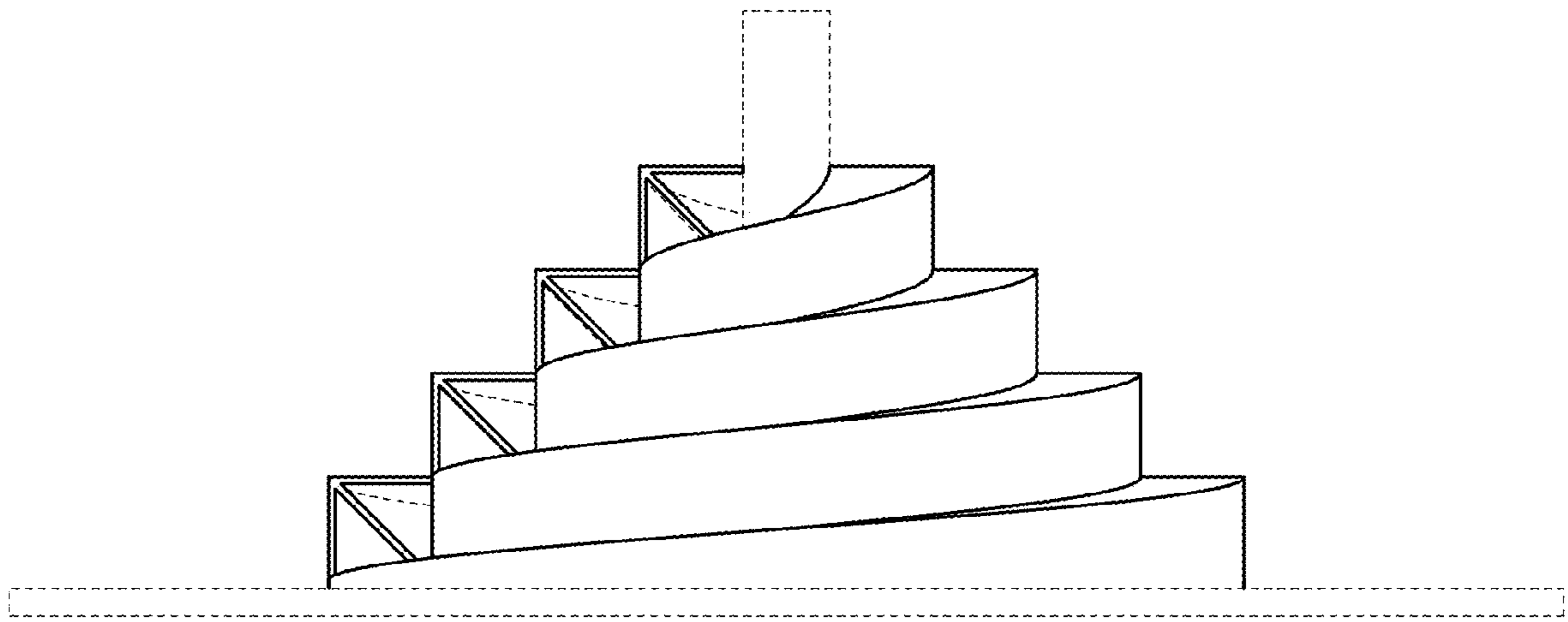


FIG. 11

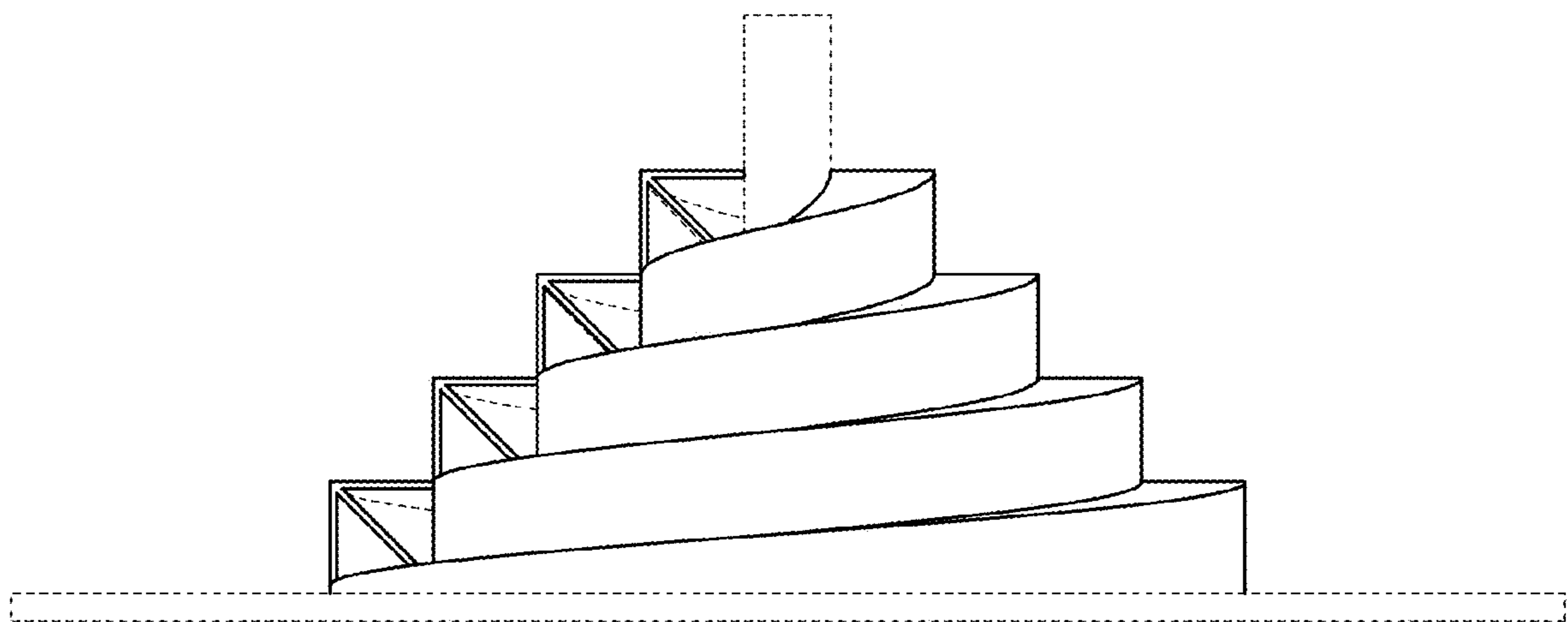


FIG. 12

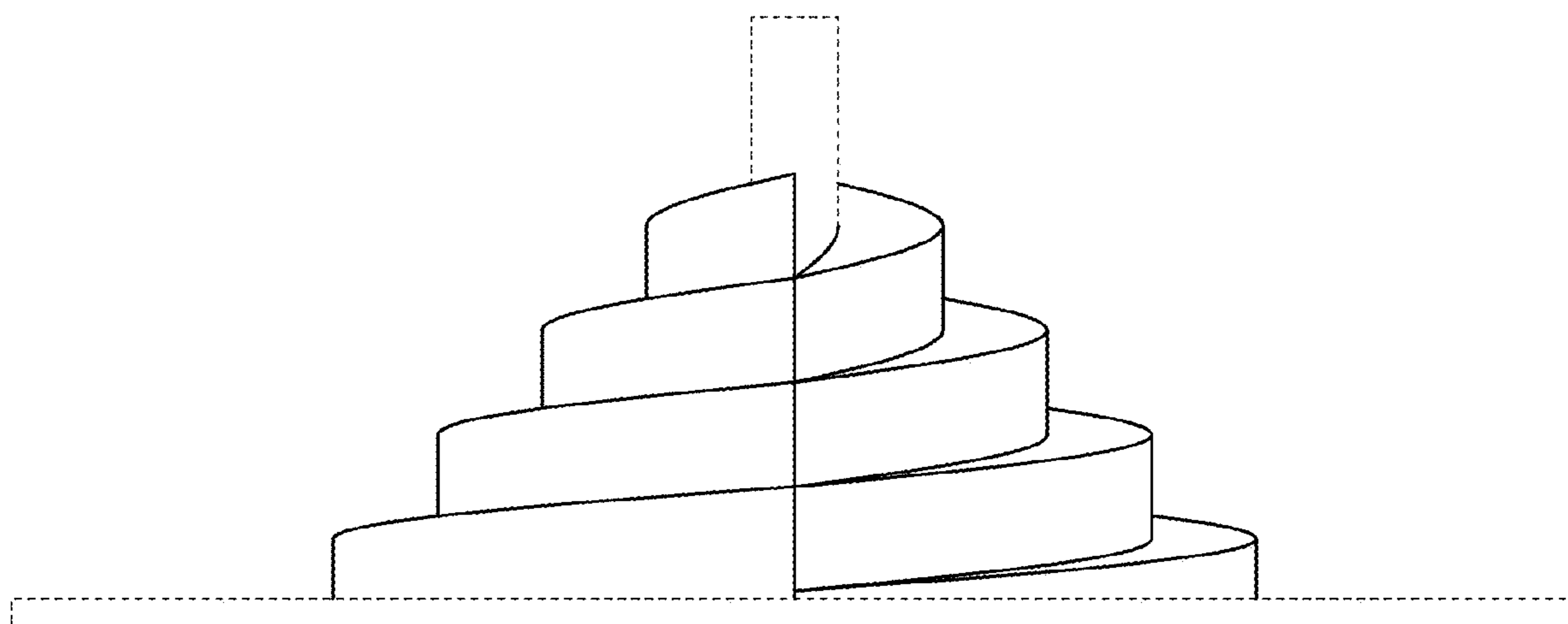


FIG. 13

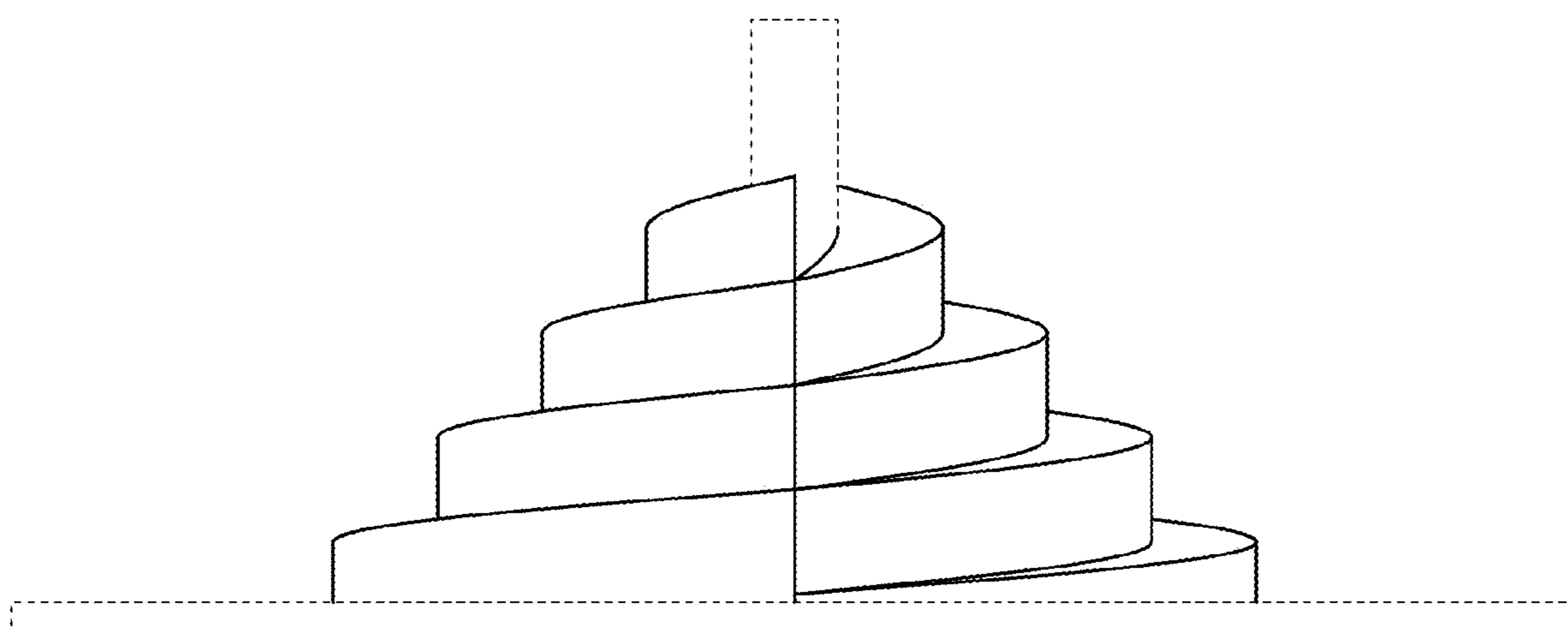


FIG. 14

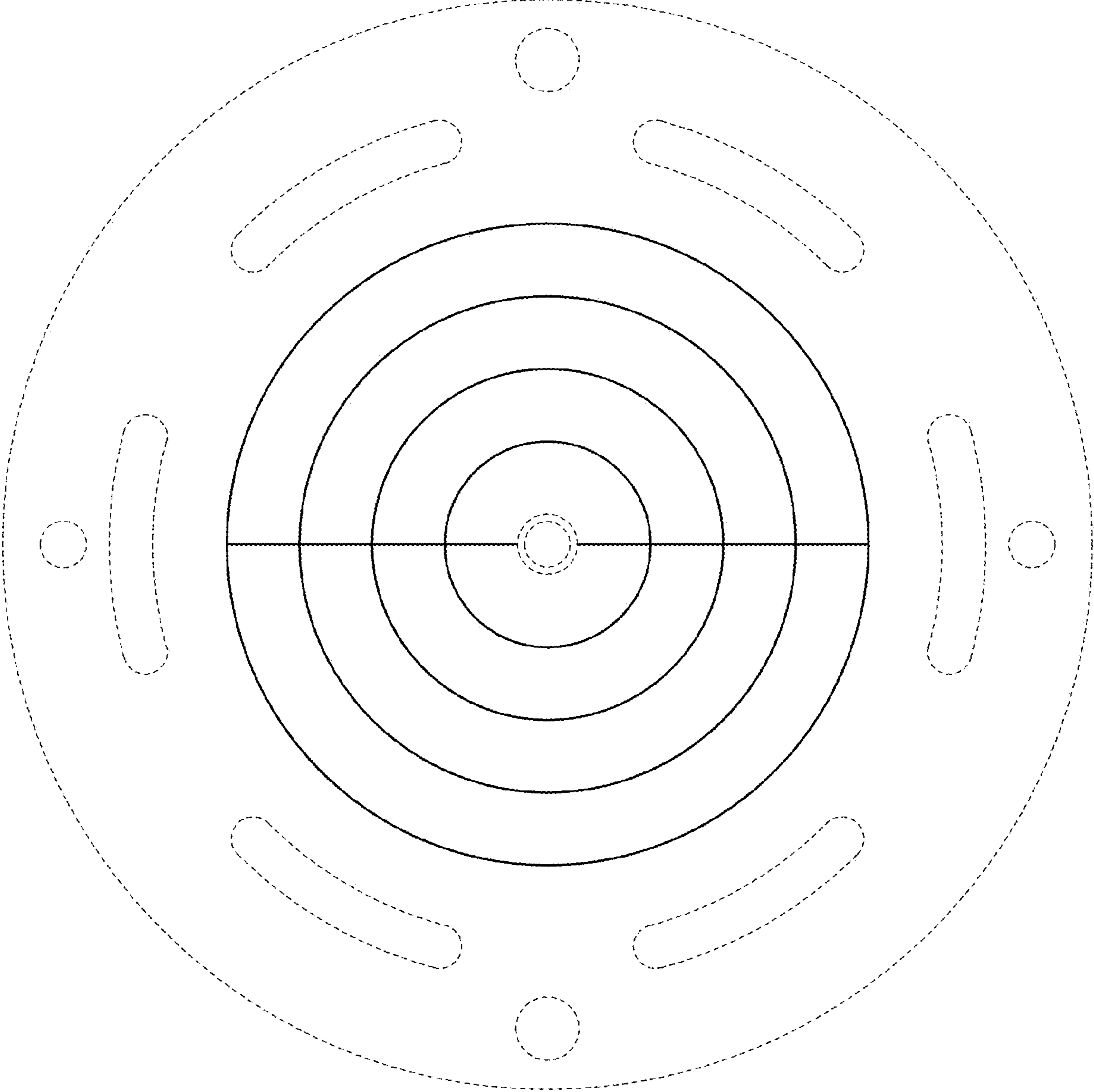


FIG. 15

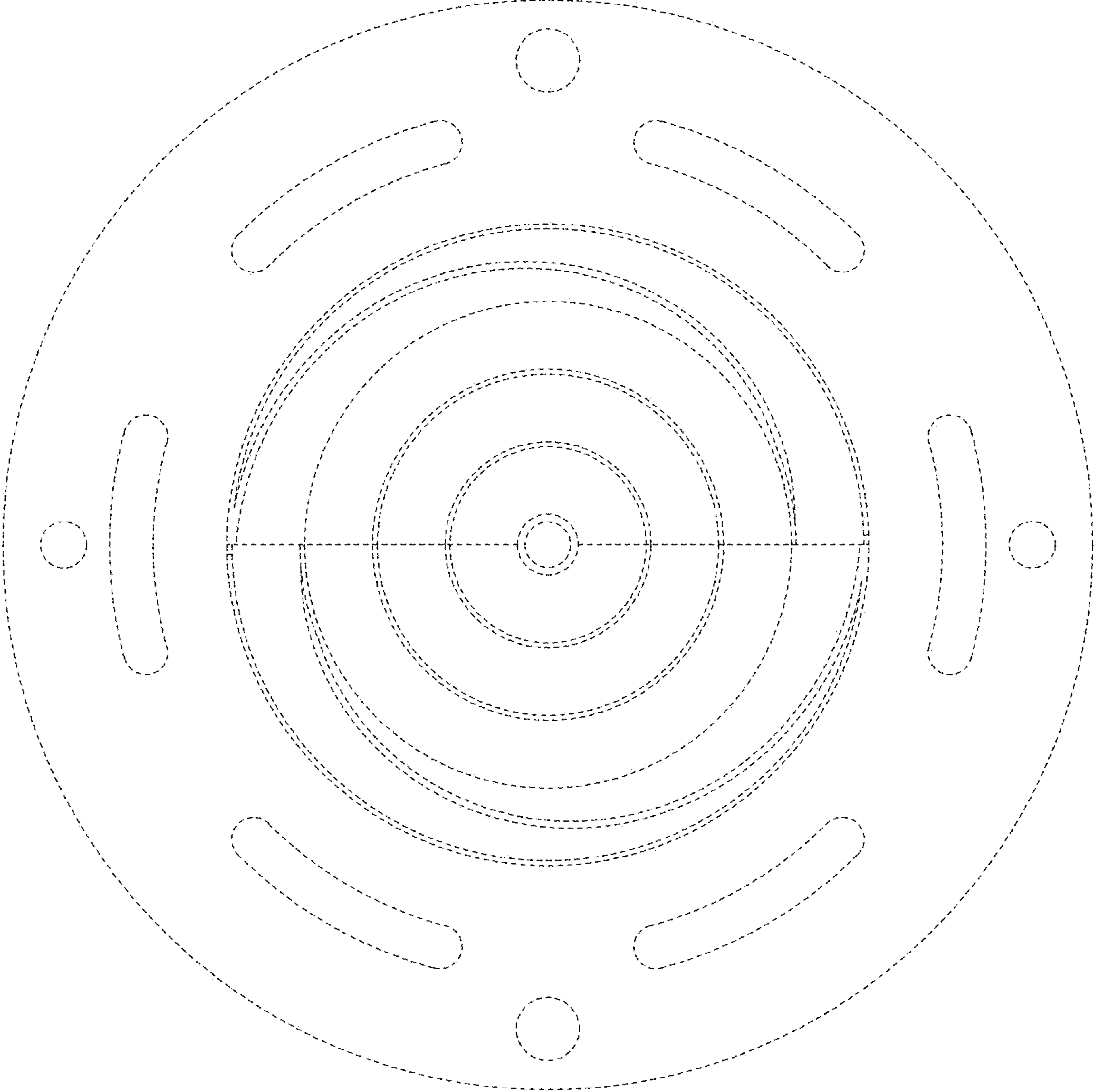


FIG. 16

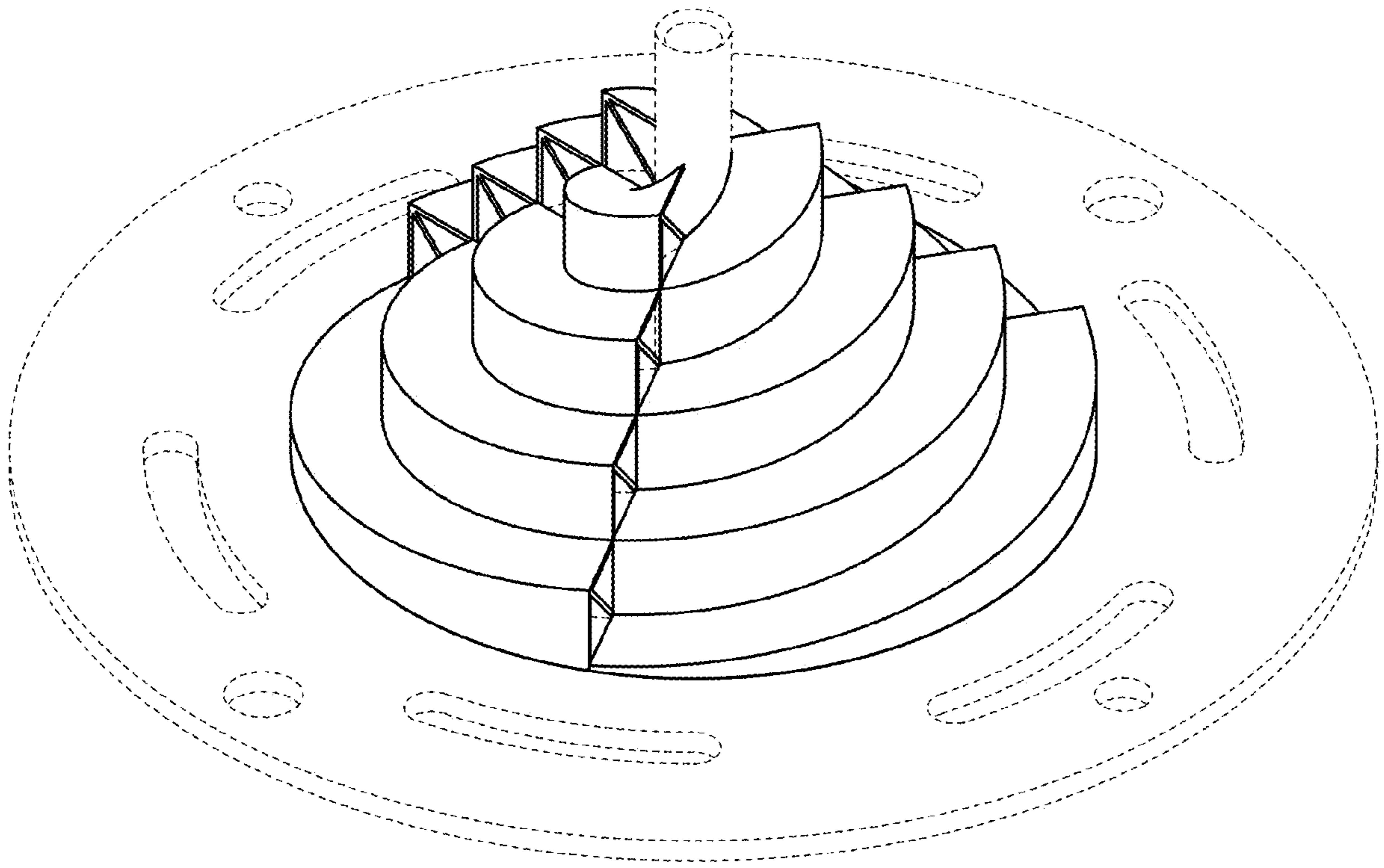


FIG. 17

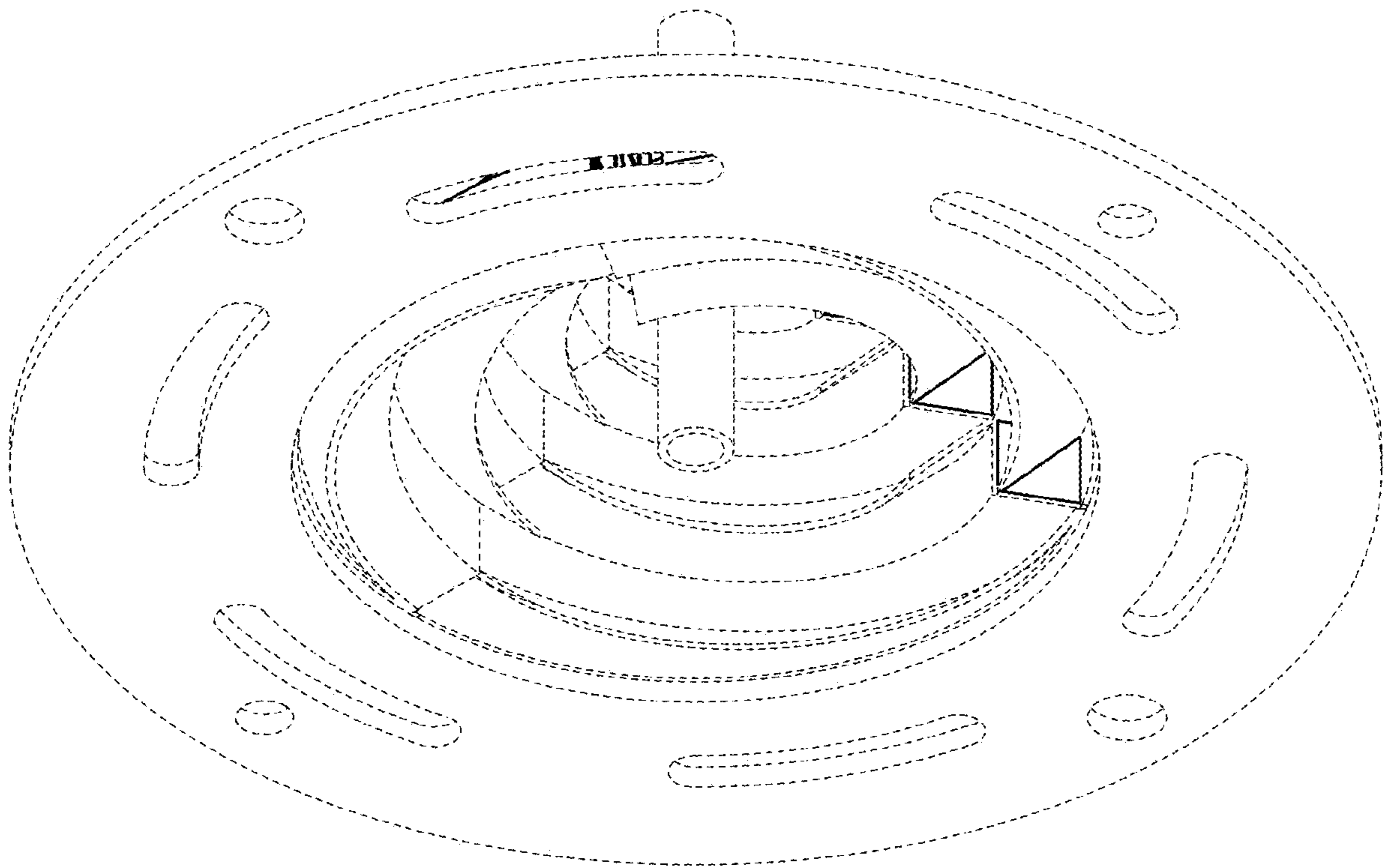


FIG. 18

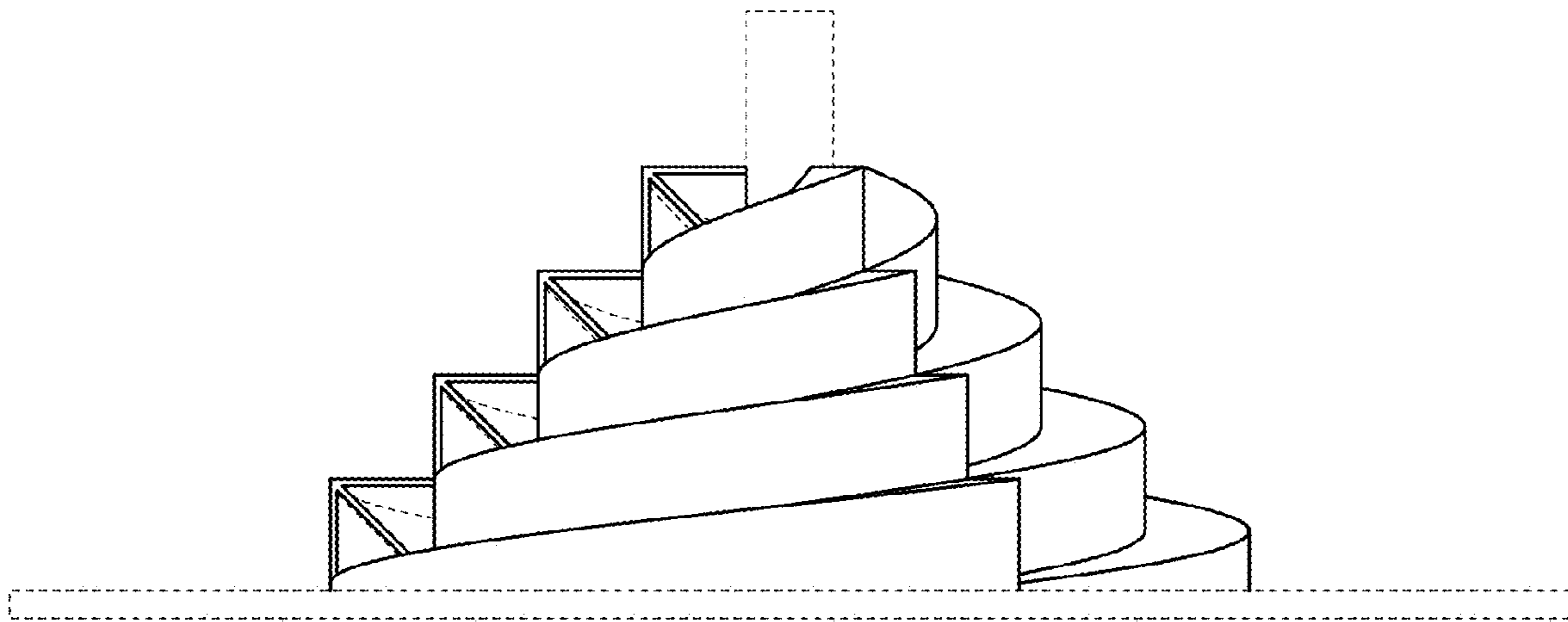


FIG. 19

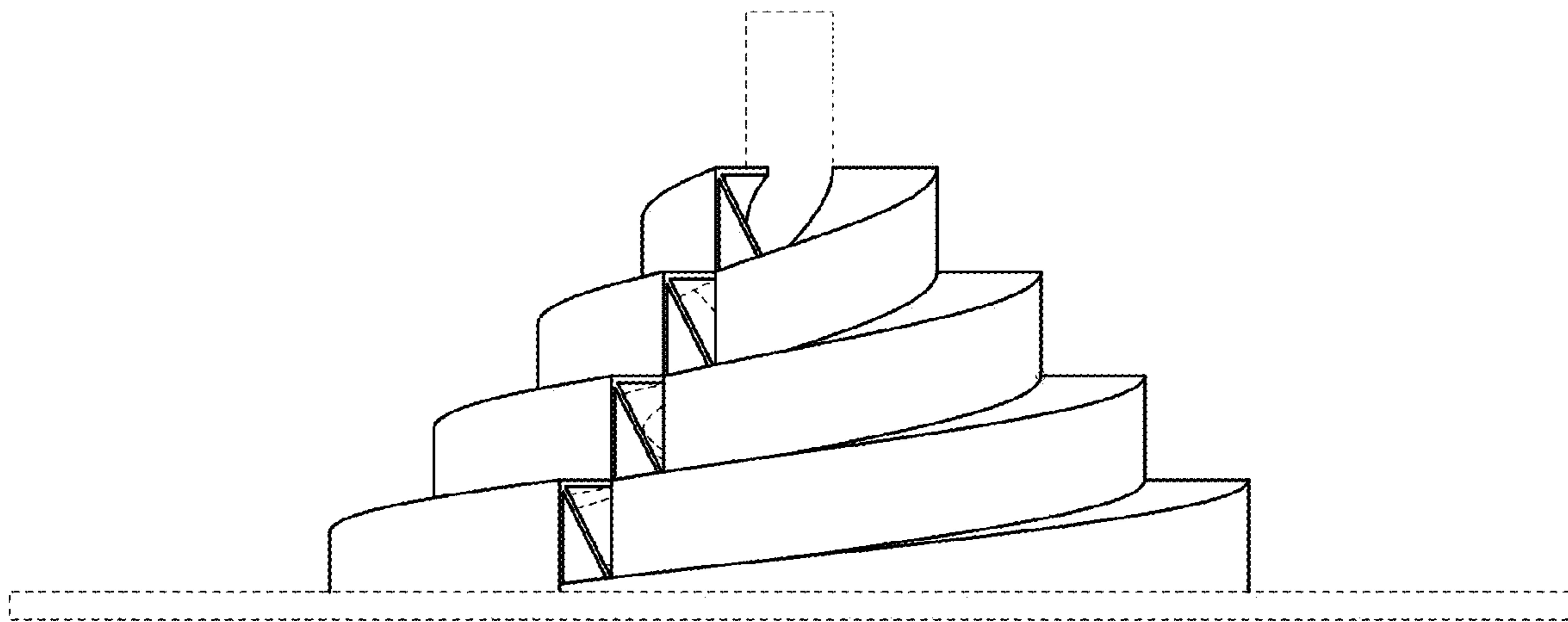


FIG. 20

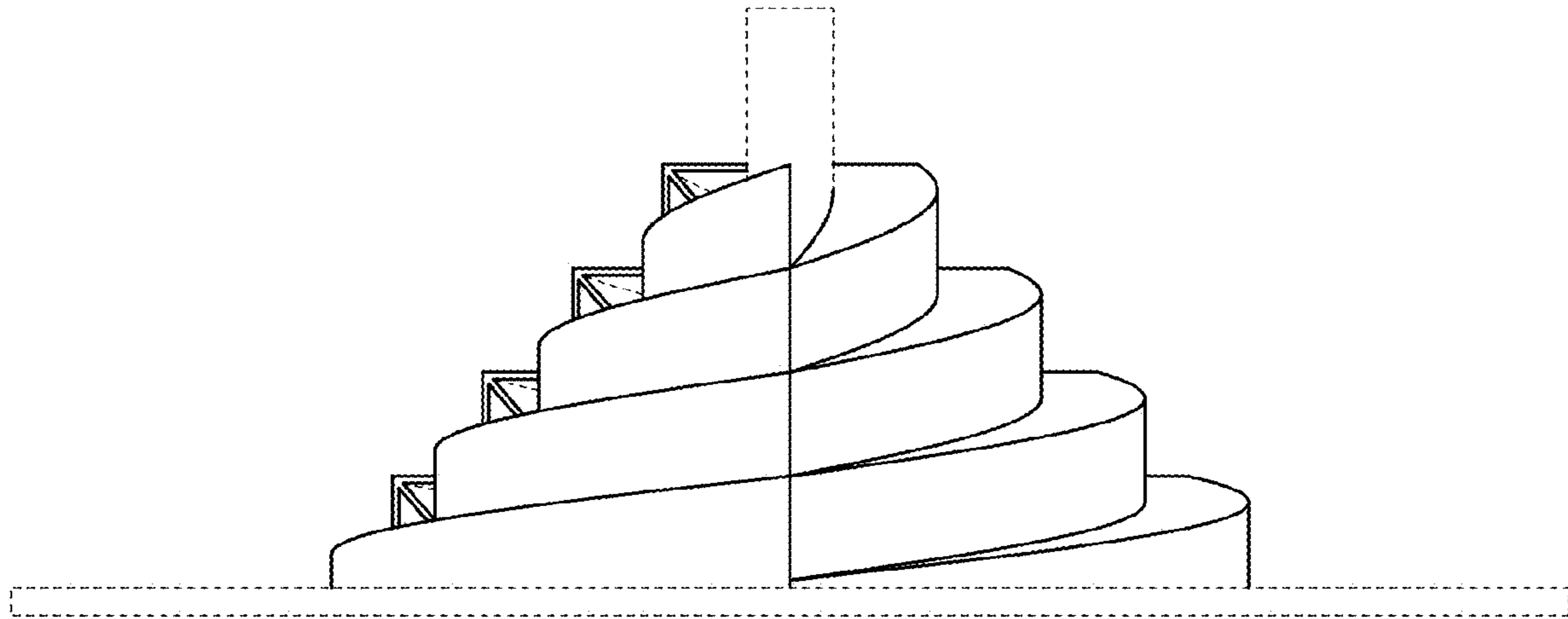


FIG. 21

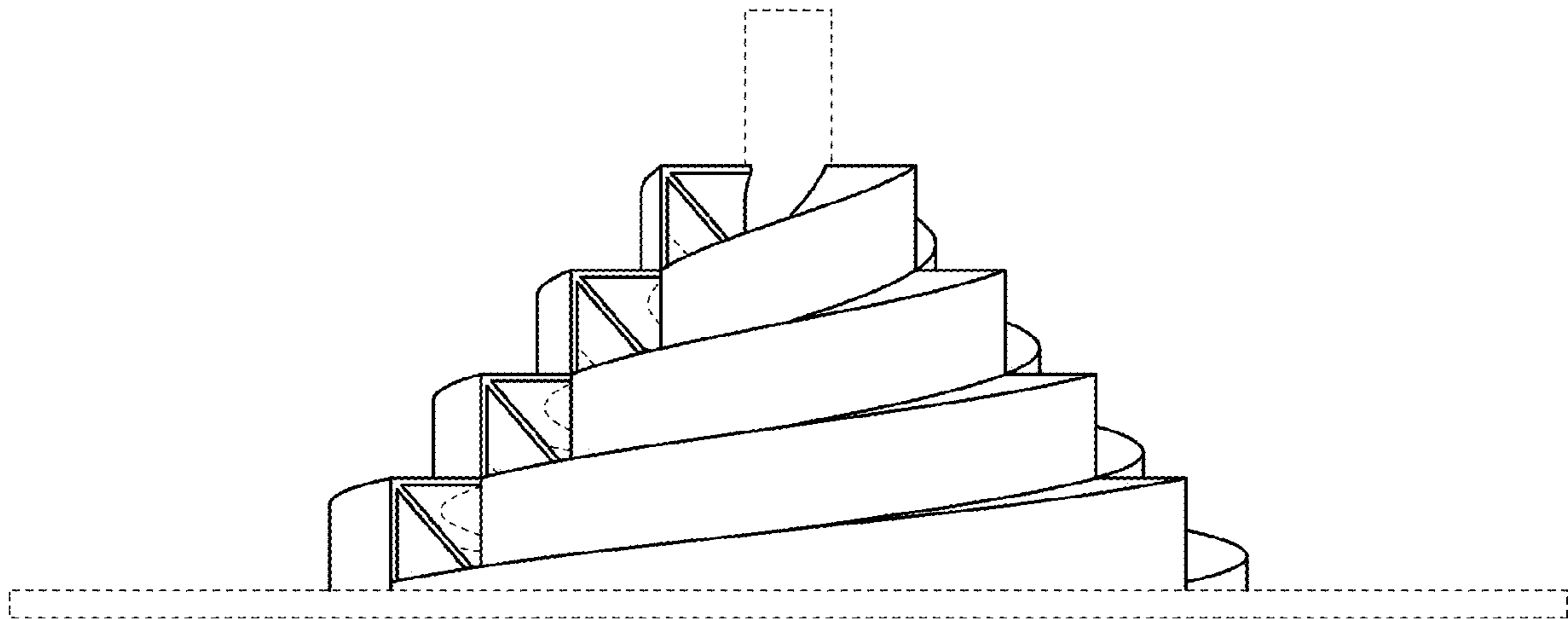


FIG. 22

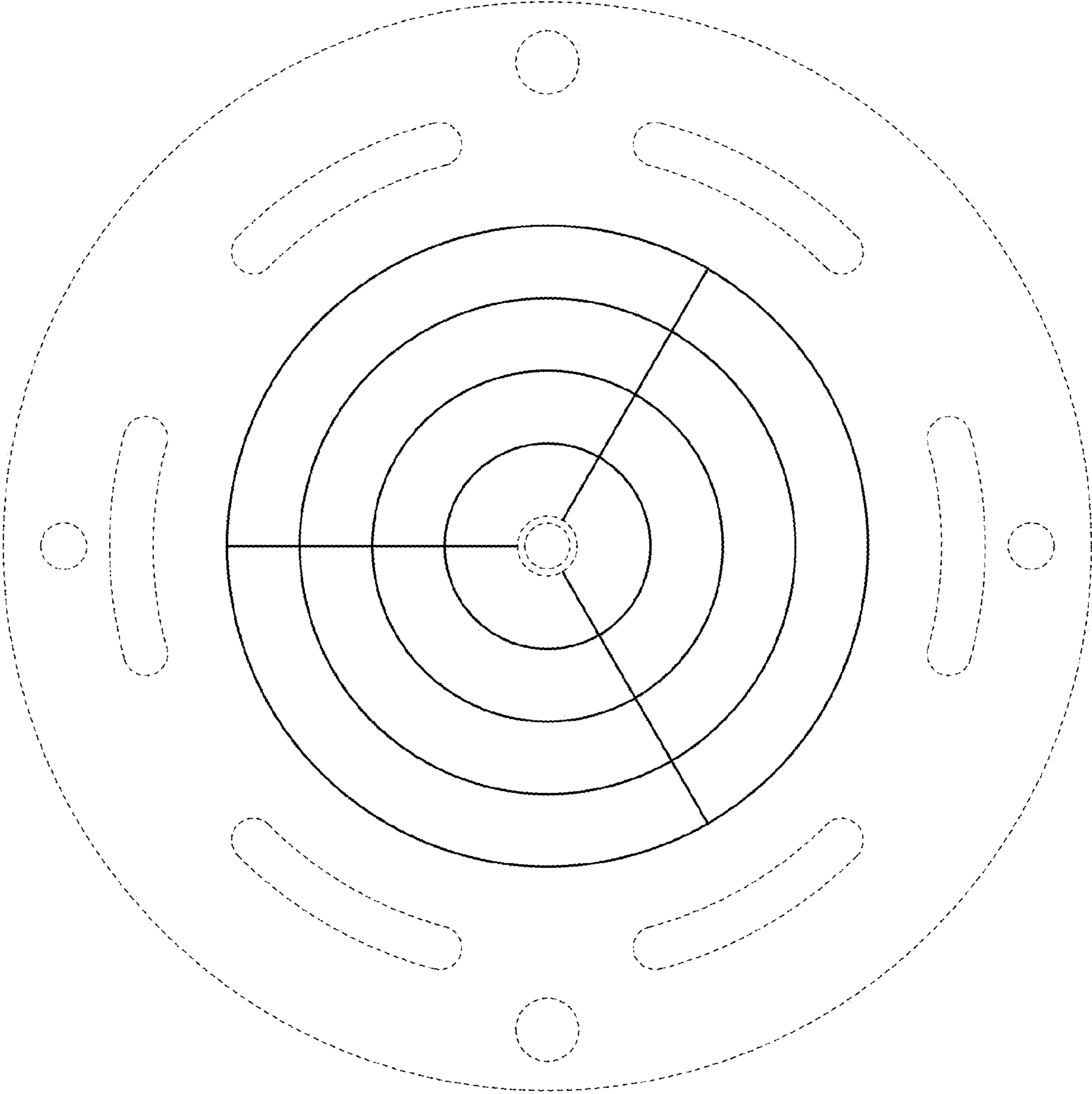


FIG. 23

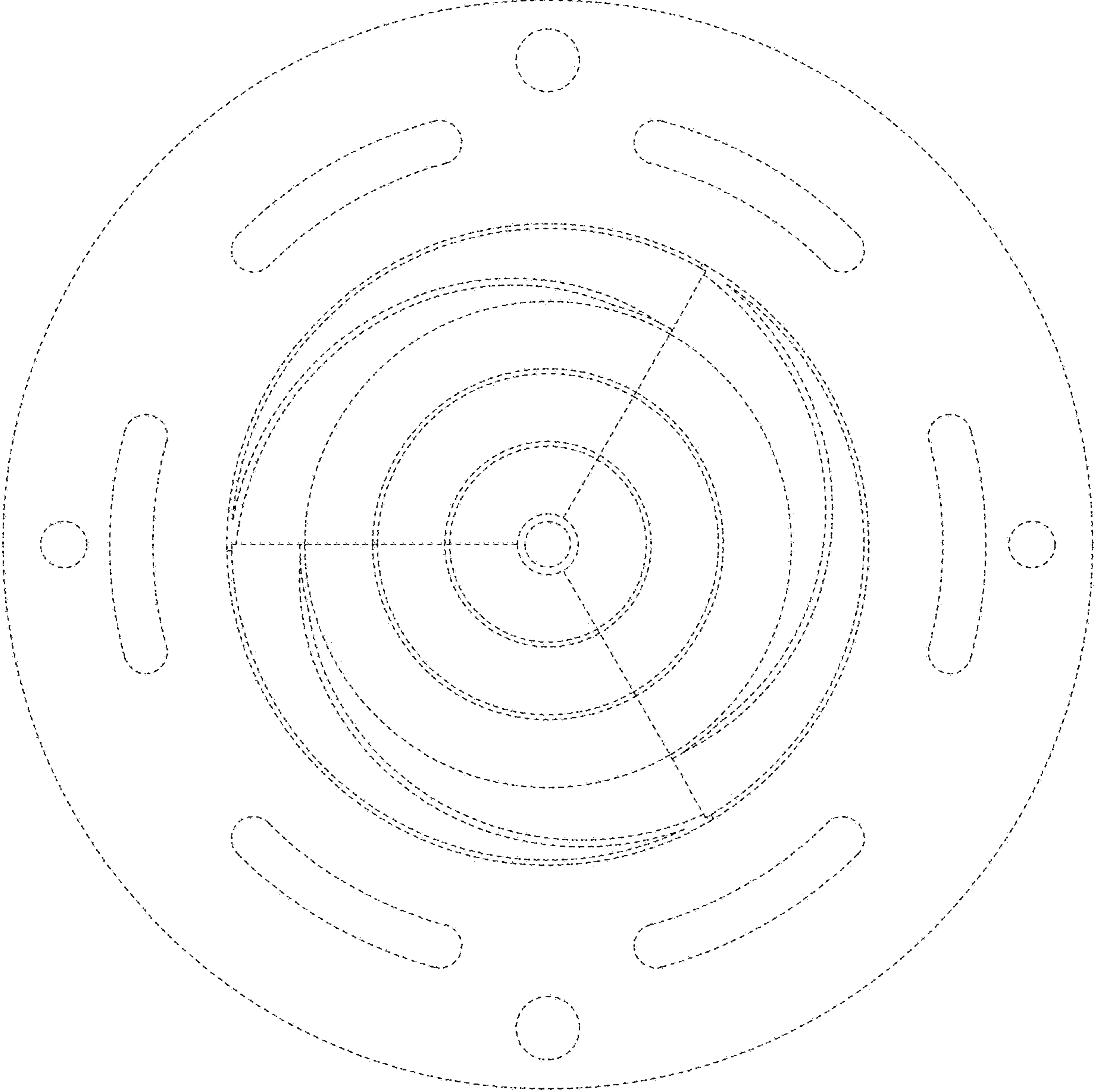


FIG. 24