



US00D989554S

(12) **United States Design Patent**
Adsuar Christiansen

(10) **Patent No.:** **US D989,554 S**
(45) **Date of Patent:** **** Jun. 20, 2023**

(54) **BREAD TOASTER ACCESSORY**

(71) Applicant: **Conchita Adsuar Christiansen**, San Juan, PR (US)

(72) Inventor: **Conchita Adsuar Christiansen**, San Juan, PR (US)

(**) Term: **15 Years**

(21) Appl. No.: **29/852,968**

(22) Filed: **Sep. 12, 2022**

Related U.S. Application Data

(63) Continuation-in-part of application No. 29/764,016, filed on Dec. 28, 2020, now Pat. No. Des. 968,172.

(51) **LOC (14) Cl.** **07-02**

(52) **U.S. Cl.**
USPC **D7/409**; D7/330

(58) **Field of Classification Search**

USPC D7/323, 330, 354–361, 390, 409, 411, D7/543, 545, 549, 550.1, 553.1–553.8, D7/554.1–554.4, 555, 584, 586, 602; D9/430–433, 455–456, 737, 756–762
CPC A21B 3/00; A21B 3/13; A21B 3/15; A21B 3/132; A21B 3/134; A21B 3/137; A21B 5/00; A21B 5/02; A47J 36/022; A47J 36/025; A47J 36/027; A47J 37/00; A47J 37/01; A47J 37/04; A47J 37/0629; A47J 37/0688; A47J 37/0885; B65D 1/22; B65D 1/24; B65D 1/34; B65D 1/36; B65D 81/343; B65D 85/36

See application file for complete search history.

(56) **References Cited**

U.S. PATENT DOCUMENTS

2,849,947 A * 9/1958 Bork A47J 37/0885 99/402
2,962,957 A * 12/1960 Bork A47J 37/0885 99/402

3,094,061 A * 6/1963 Cole A47J 37/0688 99/402
4,184,419 A * 1/1980 Ponte A47J 37/0688 99/402
4,901,631 A * 2/1990 Russell A47J 37/0688 99/441
D347,545 S * 6/1994 Hoare D7/331
D384,858 S * 10/1997 Kurz D7/390
D428,765 S * 8/2000 Hughes D7/411
D477,495 S * 7/2003 To D7/330
8,240,246 B2 * 8/2012 Davis A47J 37/0885 99/402

(Continued)

Primary Examiner — Ricky Pham

(74) *Attorney, Agent, or Firm* — Eugenio J. Torres-Oyola; Rafael Rodriguez-Muriel; Victor M. Rodriguez-Reyes

(57) **CLAIM**

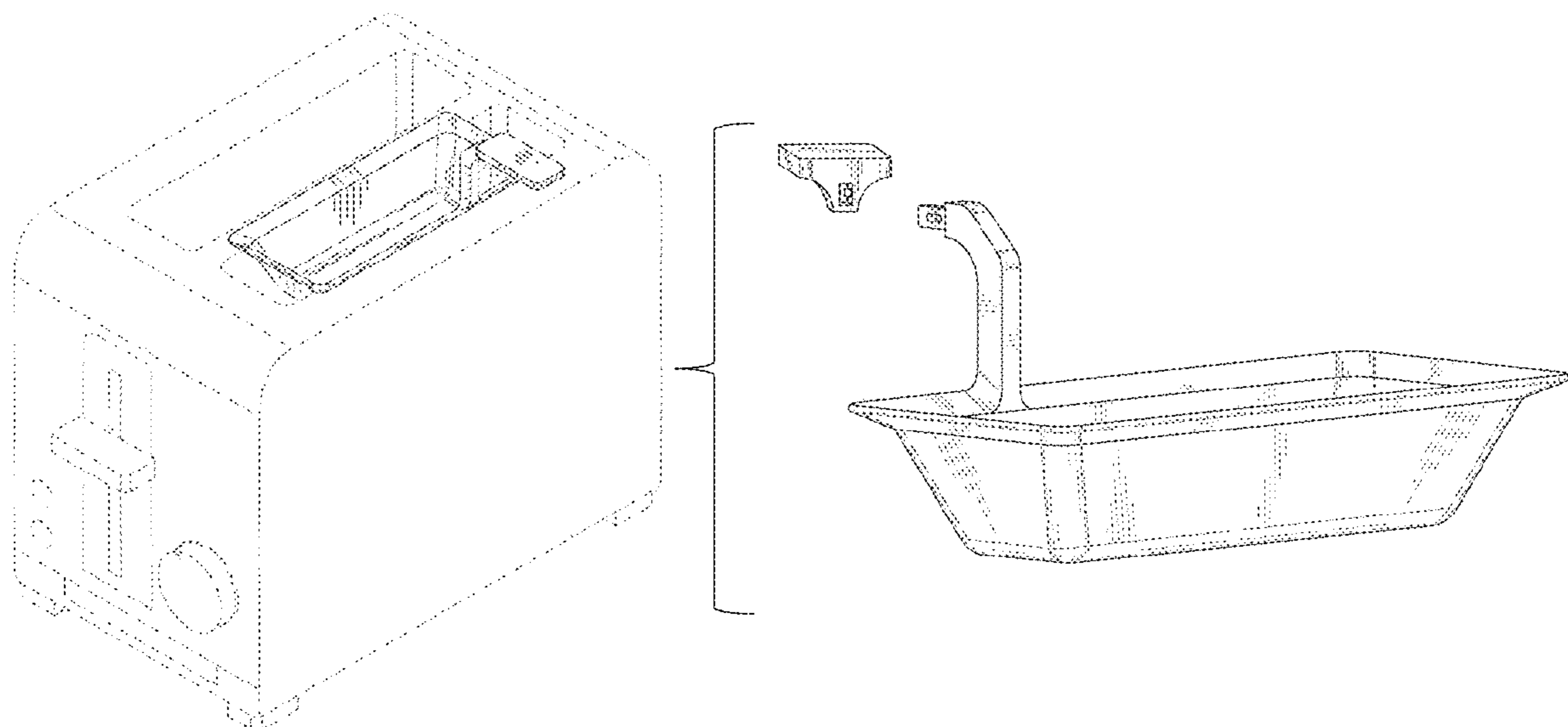
The ornamental design for a bread toaster accessory, as shown and described.

DESCRIPTION

FIG. 1 is a perspective view of a bread toaster accessory showing the present design;
FIG. 2 is a side view thereof;
FIG. 3 is another side view thereof;
FIG. 4 is a rear view thereof;
FIG. 5 is a front view thereof;
FIG. 6 is top view thereof;
FIG. 7 is bottom view thereof;
FIG. 8 is a perspective view of the bread toaster accessory shown in an environment of use; and,
FIG. 9 shows the handle of the bread toaster accessory detachably removed from the arm of the bread toaster accessory.

The toaster shown in broken lines in the drawings represents environment that forms no part of the claimed design. The portions of the bread toaster accessory shown in broken lines form no part of the claimed design.

1 Claim, 9 Drawing Sheets



(56)

References Cited

U.S. PATENT DOCUMENTS

8,997,635 B2 * 4/2015 Buzick A47J 37/0629
99/393
D751,853 S * 3/2016 Hunt D7/330
D968,172 S * 11/2022 Adsuar Christiansen D7/602

* cited by examiner

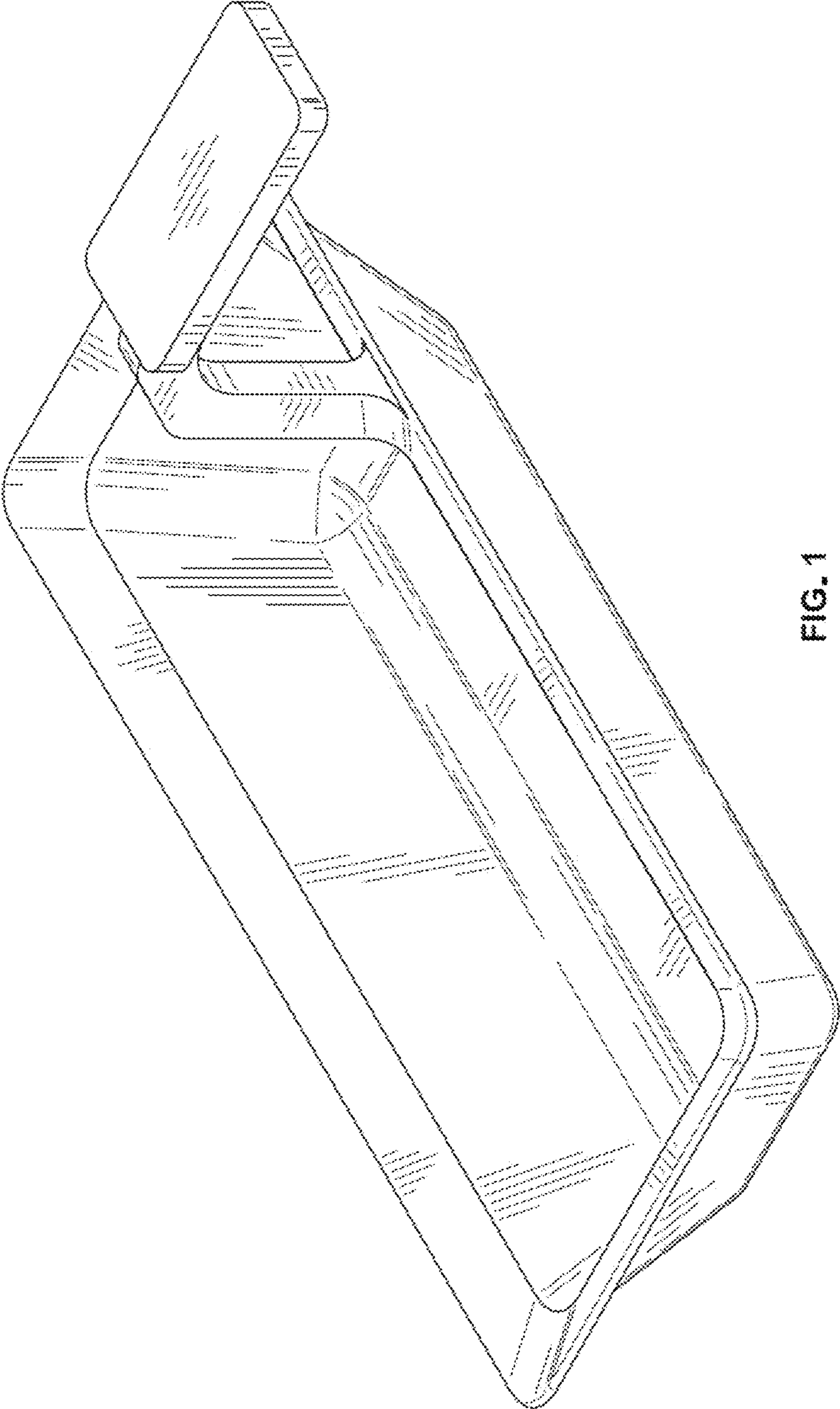


FIG. 1

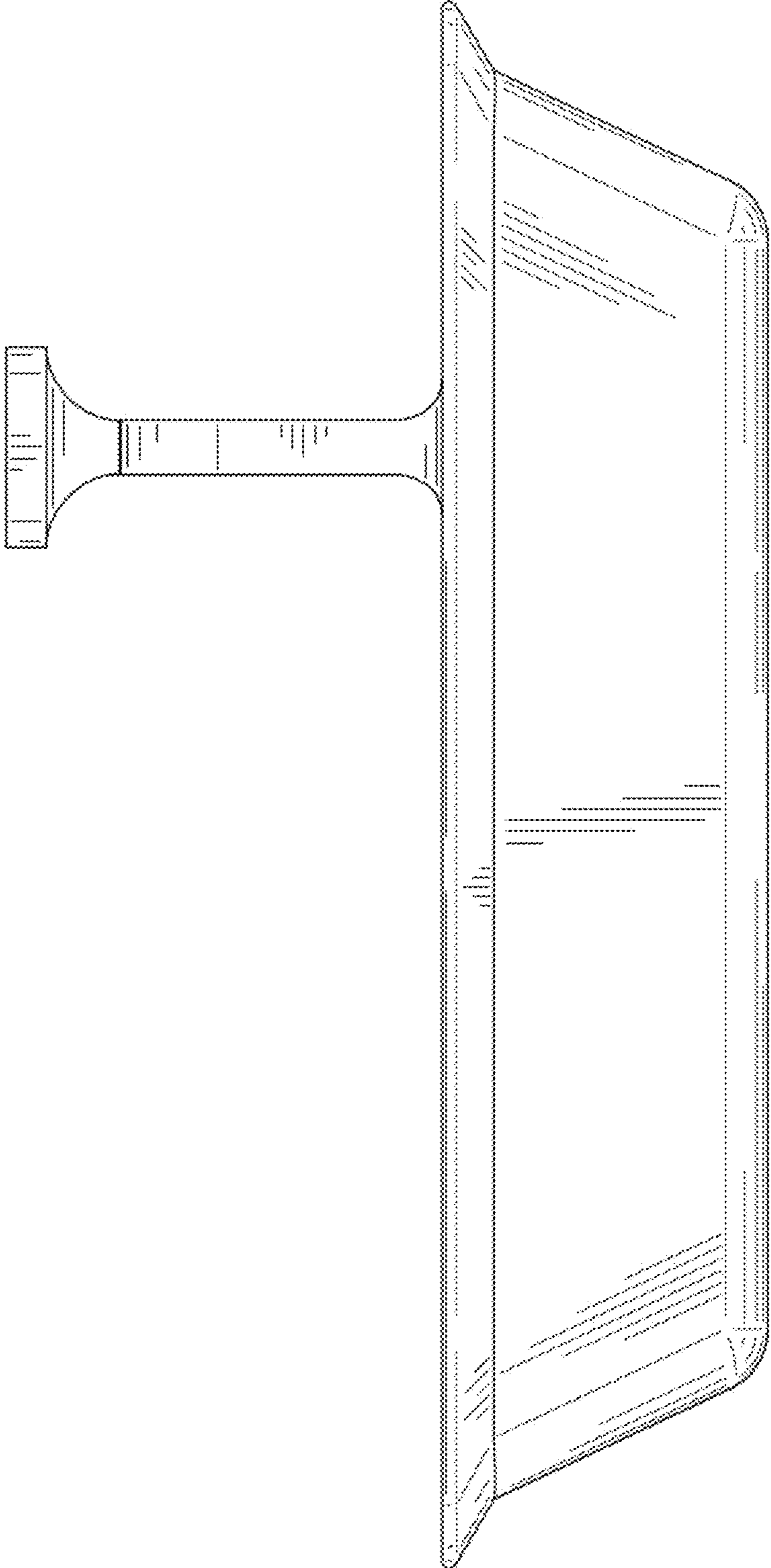


FIG. 2

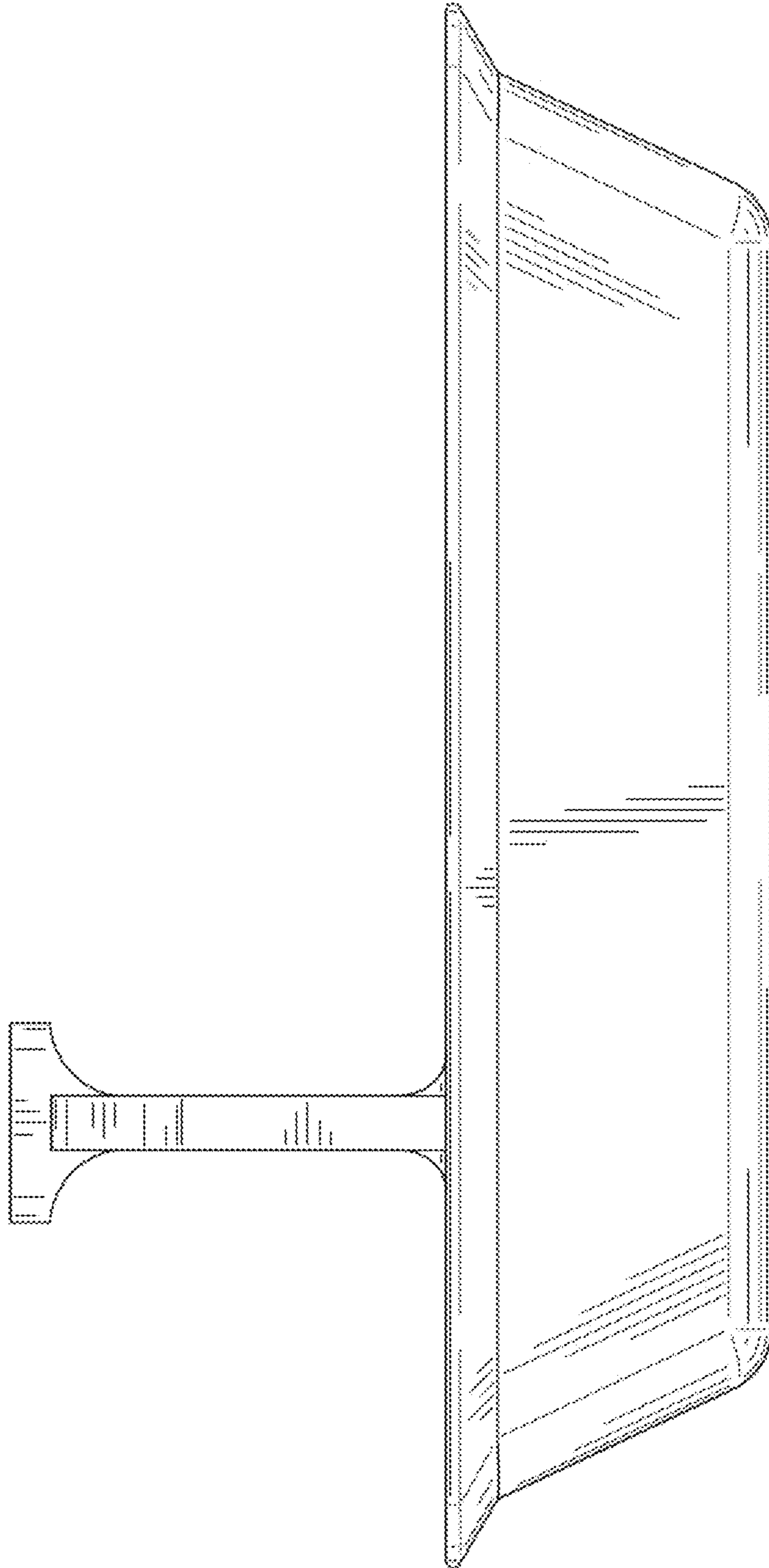


FIG. 3

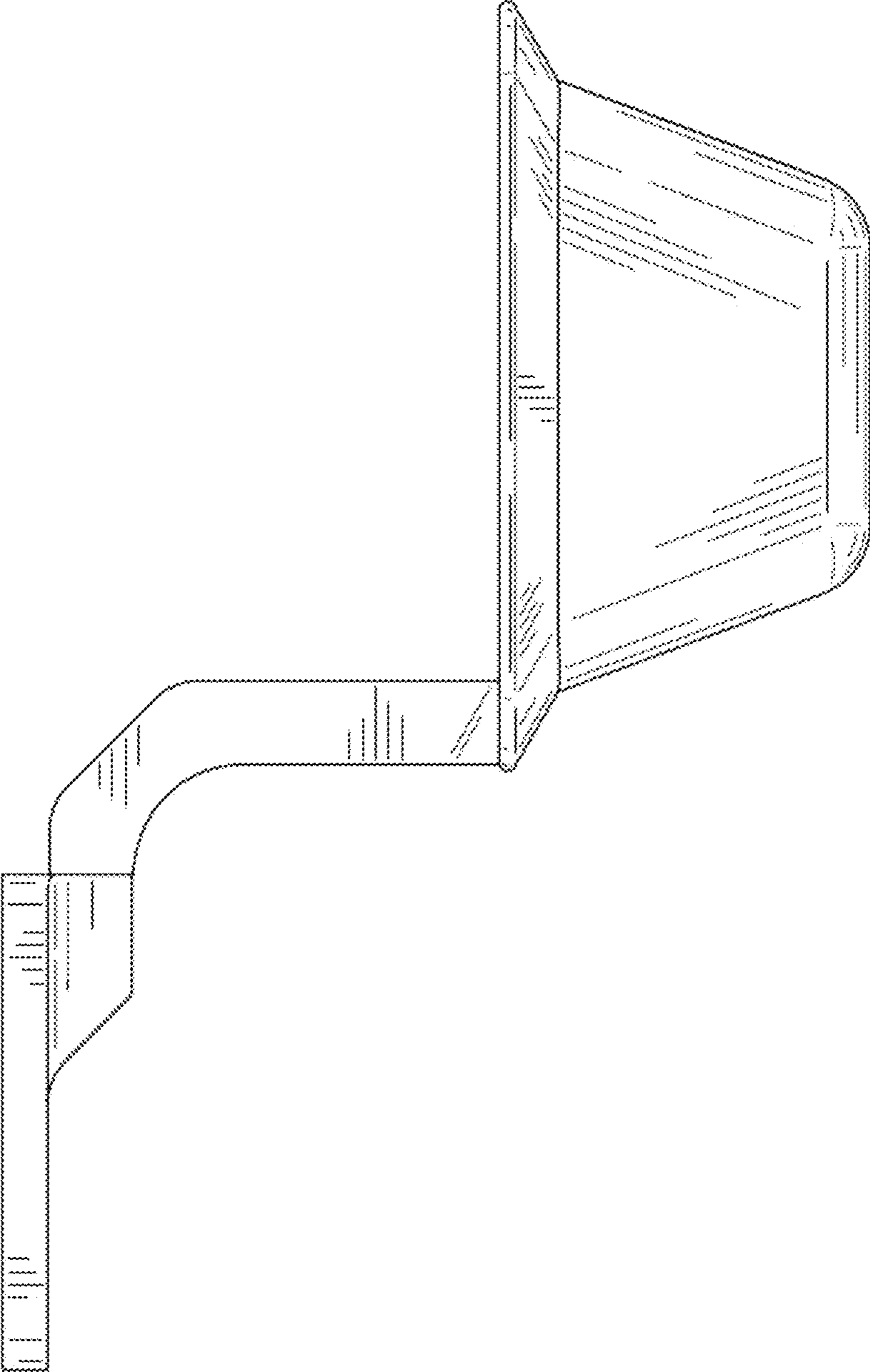


FIG. 4

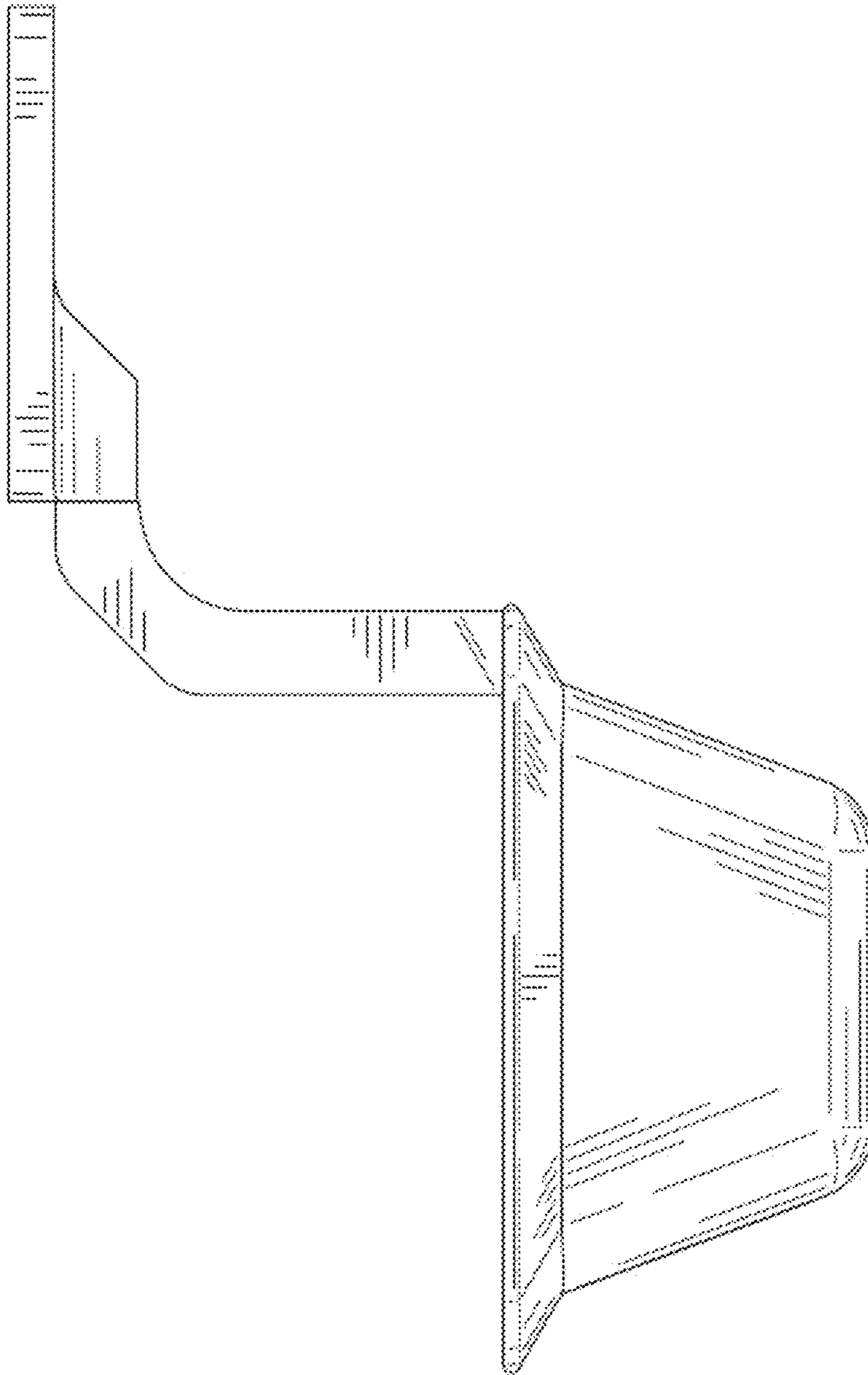


FIG. 5

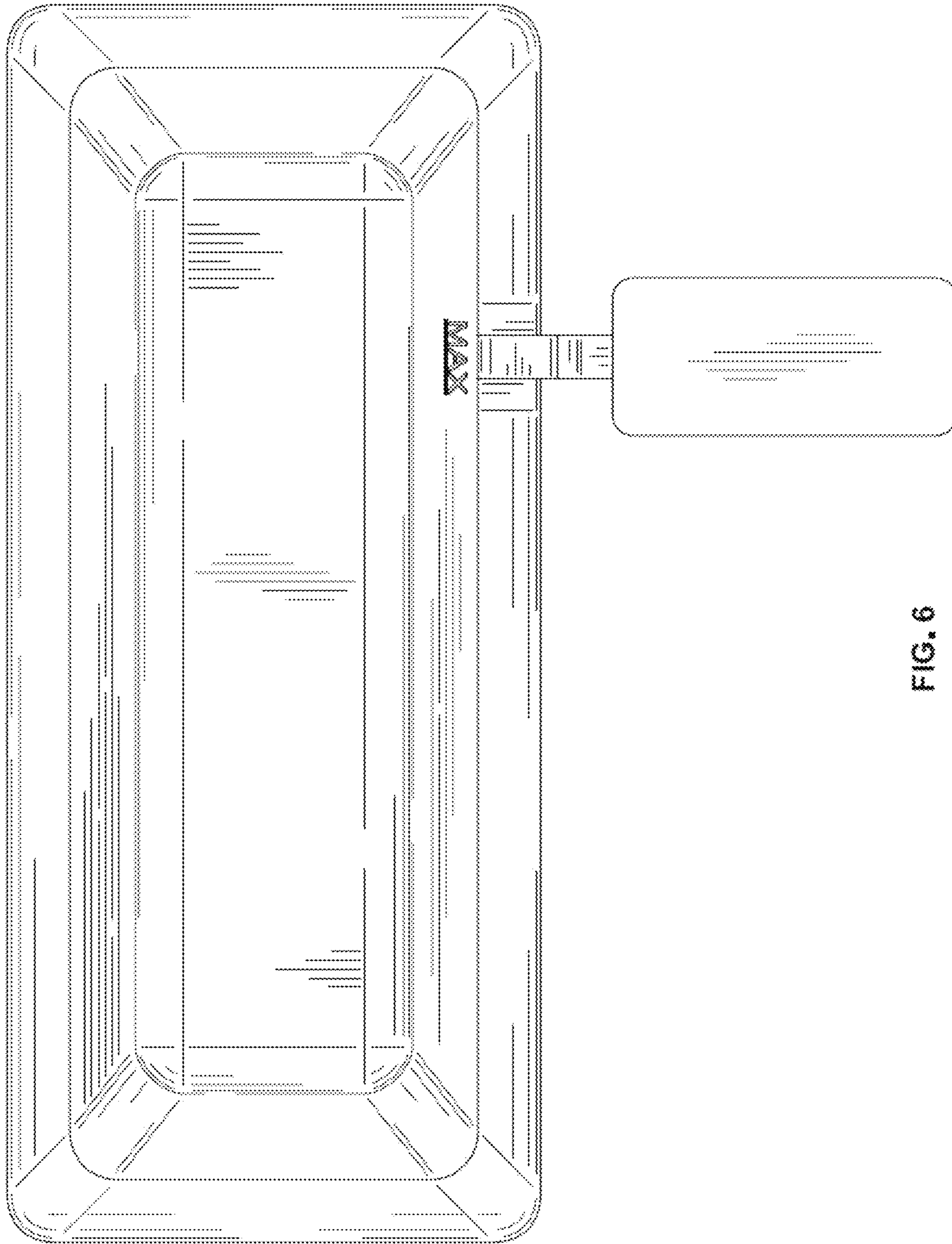
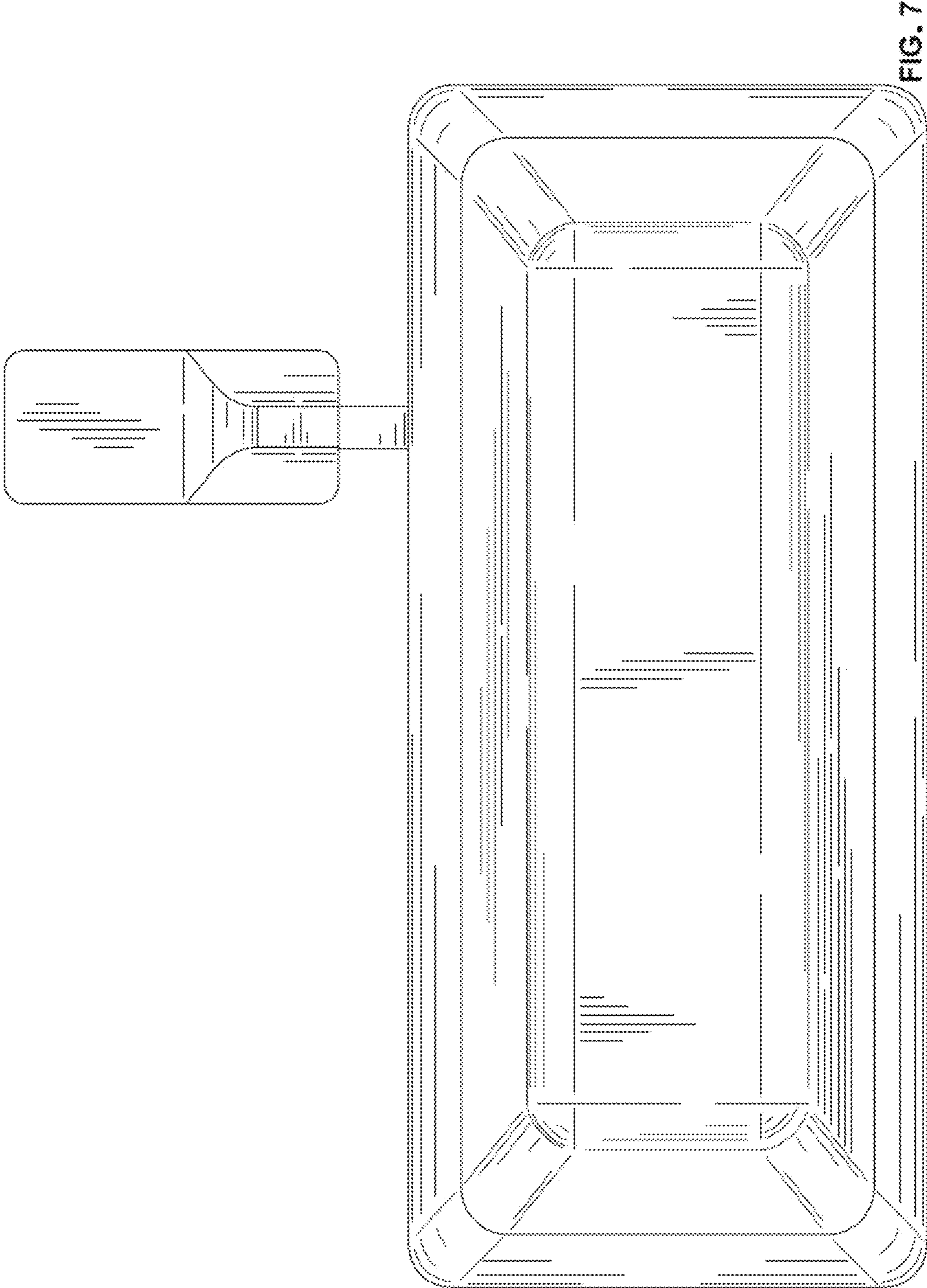


FIG. 6



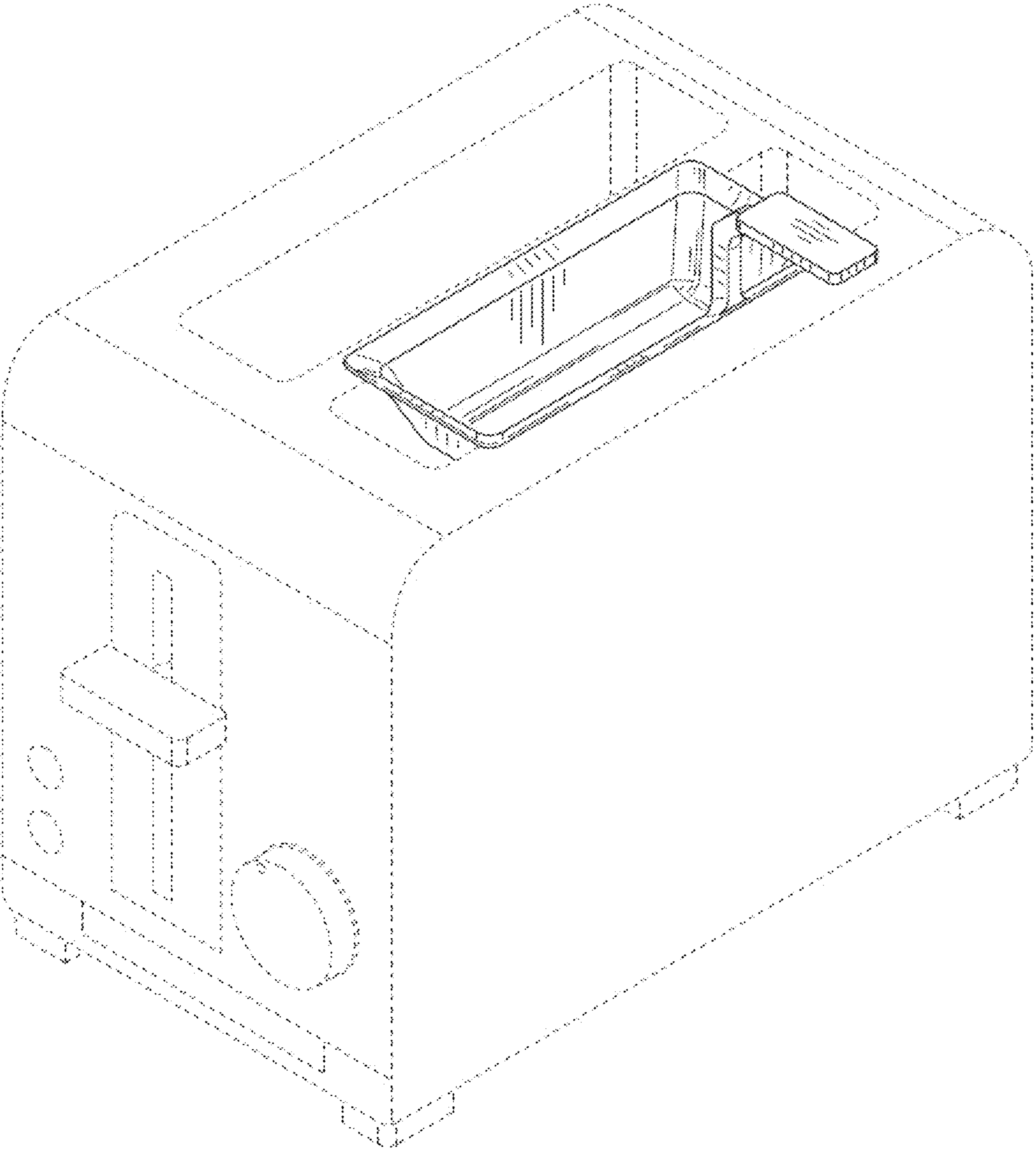


FIG. 8

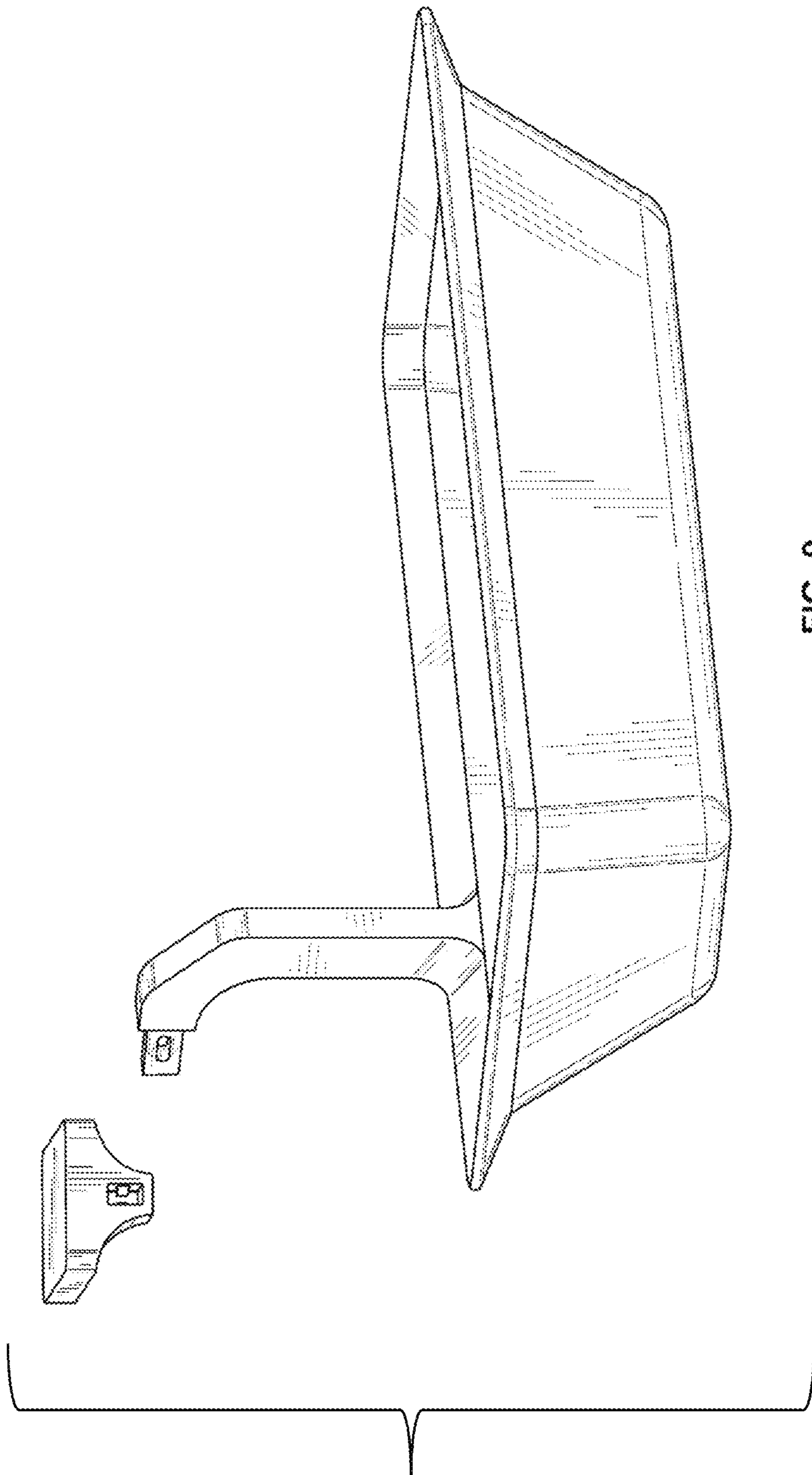


FIG. 9