



US00D989550S

(12) **United States Design Patent**
Zheng

(10) **Patent No.:** **US D989,550 S**

(45) **Date of Patent:** **** Jun. 20, 2023**

(54) **BLENDER**

(71) Applicant: **Seven Continents International Trade Co., Ltd., Kowloon (CN)**

(72) Inventor: **Fenglan Zheng, Kowloon (CN)**

(**) Term: **15 Years**

(21) Appl. No.: **29/799,987**

(22) Filed: **Jul. 19, 2021**

(51) **LOC (14) Cl.** **31-00**

(52) **U.S. Cl.**

USPC **D7/378**

(58) **Field of Classification Search**

USPC D7/693-694, 679, 665-666, 590, 507,
D7/413, 326, 378, 376, 386, 412,
D7/372-373

CPC B28C 5/16; B28C 5/14; B28C 5/12; B28C
5/10; B02C 13/1835; B02C 4/423; B02C
4/42; B02C 1/08; B01F 13/0064; B01F
13/0059; B01F 3/0853; B01F 3/0807;
B01F 3/00; A47J 43/0727; A47J 43/0722;
A47J 43/0716; A47J 43/075; A47J
43/046; A47J 43/27; A47J 43/25; A47J
43/04; A23N 1/00; A23N 1/02; A21C
1/04; A21C 1/02

See application file for complete search history.

(56) **References Cited**

U.S. PATENT DOCUMENTS

D254,465	S	*	3/1980	Pauty	D7/665
6,058,833	A	*	5/2000	Ling	A47J 43/255 241/37.5
D507,723	S	*	7/2005	Bodum	D7/510
D527,588	S	*	9/2006	de Groote	D7/693
D592,020	S	*	5/2009	Greiner	D7/665
D613,553	S	*	4/2010	Wilson	D7/401.1
D642,859	S	*	8/2011	Cozzolino	D7/381
D774,352	S	*	12/2016	Gross	D7/400
D821,828	S	*	7/2018	Chen	D7/693
D941,080	S	*	1/2022	Chen	D7/378

D941,084	S	*	1/2022	Chen	D7/378
D942,799	S	*	2/2022	Chen	D7/378
D942,801	S	*	2/2022	Chen	D7/378

(Continued)

FOREIGN PATENT DOCUMENTS

EM 008614200-0001 * 7/2021

OTHER PUBLICATIONS

Homease Garlic Chopper Mini Electric 250ml Portable Food Chopper with USB Charging Powerful Cutting Used for Garlic Onion Celery Fruits Ginger Pepper Avocado Meat, first available Feb. 21, 2022. Retrieved from: <https://www.amazon.com/-/en/Homease-Electric-Portable-Food-Charging-Powerful/dp/B092MLNY56> on Mar. 18, 2023.*

(Continued)

Primary Examiner — Shannon W Morgan

Assistant Examiner — Terilyn Nicole Davis

(74) *Attorney, Agent, or Firm* — Rumit Ranjit Kanakia

(57)

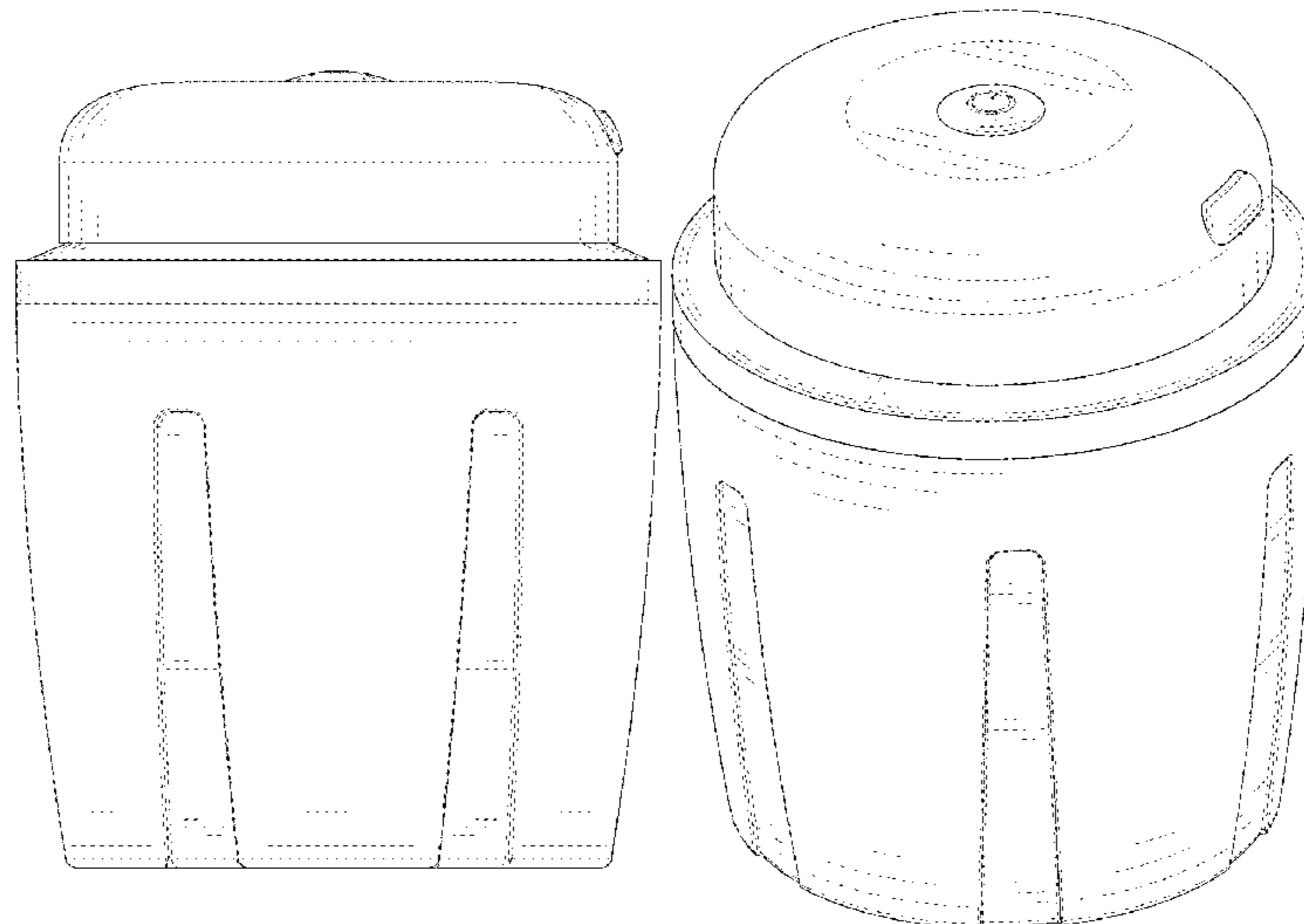
CLAIM

The ornamental design for a blender, as shown and described.

DESCRIPTION

FIG. 1 is a front elevational view of a blender showing my new design;
FIG. 2 is a rear elevational view thereof; and
FIG. 3 is a left elevational view thereof;
FIG. 4 is a right side view thereof;
FIG. 5 is a top side view thereof;
FIG. 6 is a bottom plan view thereof;
FIG. 7 is a perspective view of a blender showing my new design; and,
FIG. 8 is another perspective view thereof.
The broken lines in the figures are for the purposes of illustrating portions of the blender, which form no part of the claimed design.

1 Claim, 8 Drawing Sheets



(56)

References Cited

U.S. PATENT DOCUMENTS

D952,418 S * 5/2022 Wang D7/693
2020/0138242 A1 * 5/2020 Kim A47J 43/0716
2023/0038281 A1 * 2/2023 Gee, II A47J 43/0727

OTHER PUBLICATIONS

Electric Garlic Chopper, Kenpiko Powerful Mini Garlic Chopper, Rechargeable Electric Mini Garlic Chopper for Vegetable/Onions/Meat, 250ML/100ML, 2 Stainless Steel Blade, first available Mar. 12, 2021. Retrieved from: <https://www.amazon.com/Kenpiko-Rechargeable-Vegetable-Stainless-Waterproof/dp/B08YRQGKXP> on Mar. 18, 2023.*

FUHUI Mini Electric Garlic Chopper, mini chopper food processor Fits for Cutter Vegetables/Meat Grinder/Garlic Chopper/Fruits Masher/Salad Grinder(250ML), first available Aug. 12, 2020. Retrieved from: <https://www.amazon.com/dp/B08FM9X4Q3> on Mar. 18, 2023.*

* cited by examiner

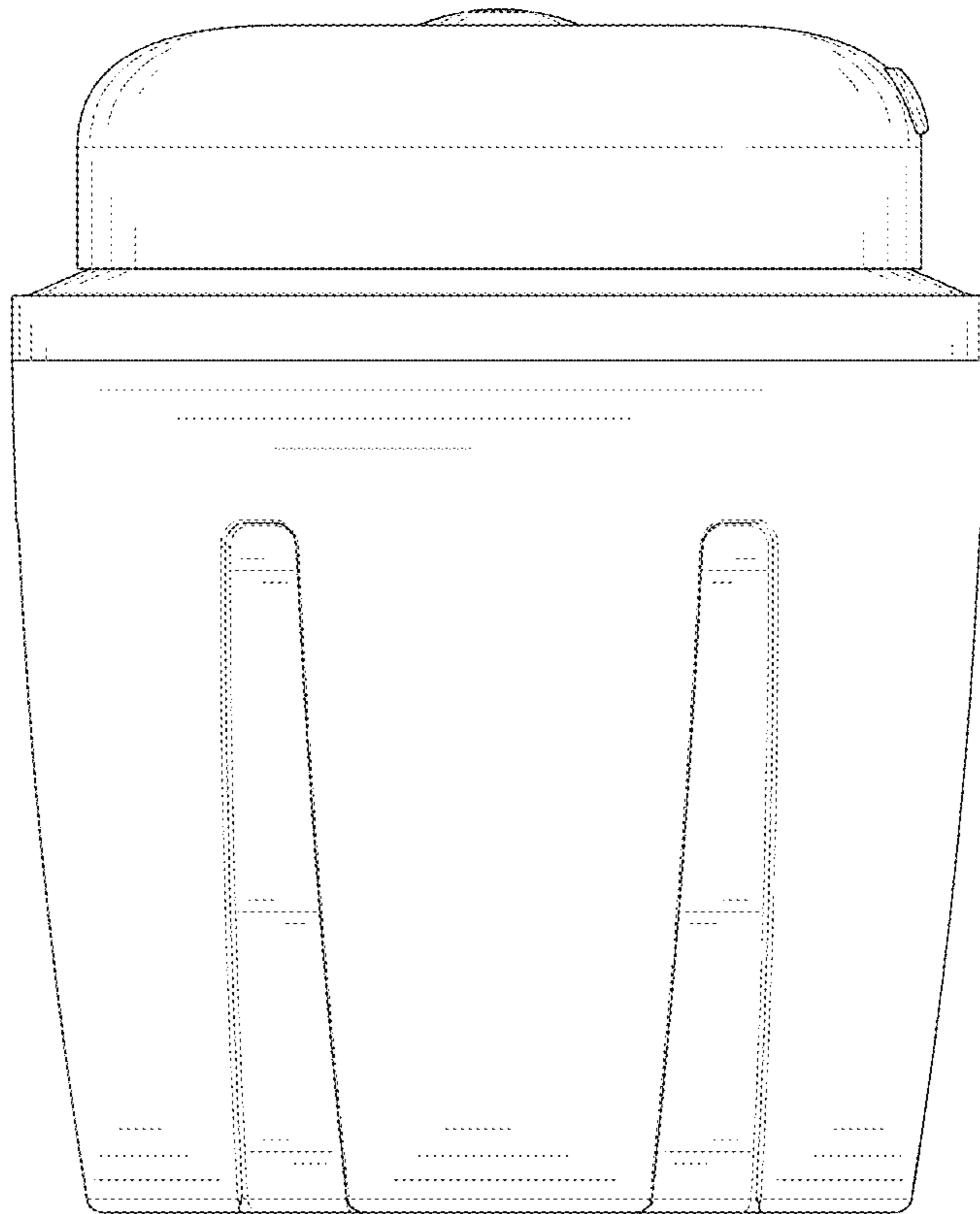


FIG. 1

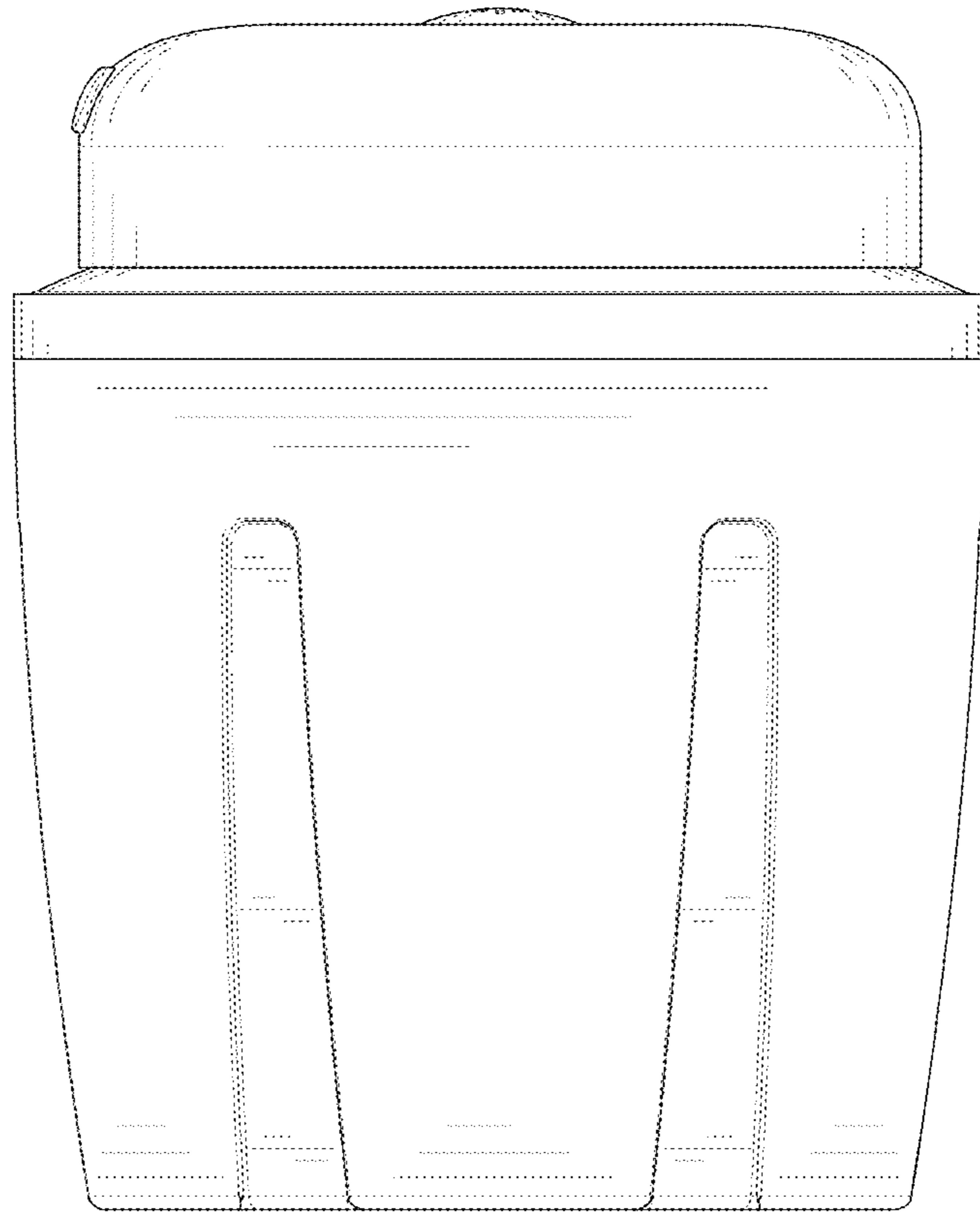


FIG. 2

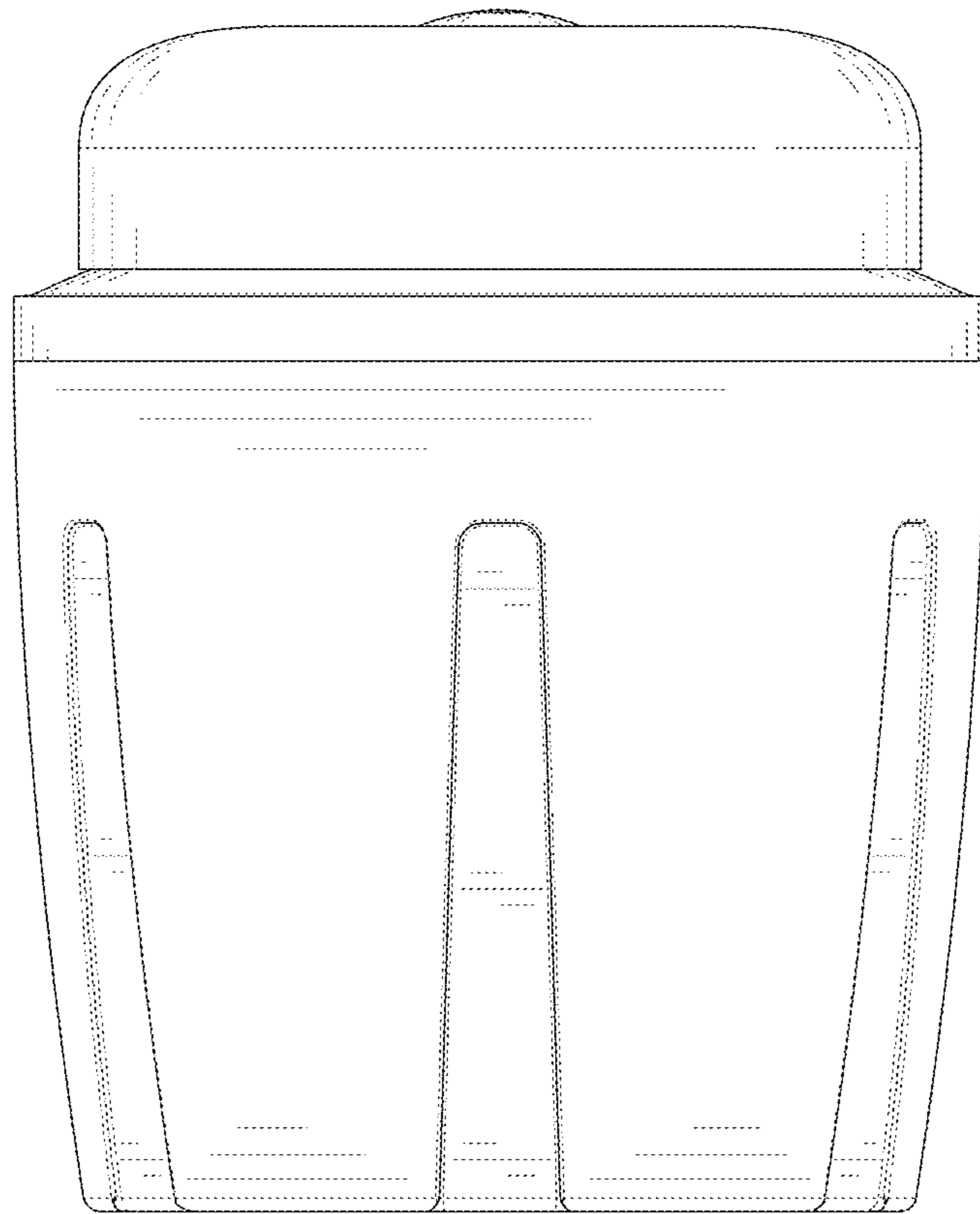


FIG. 3

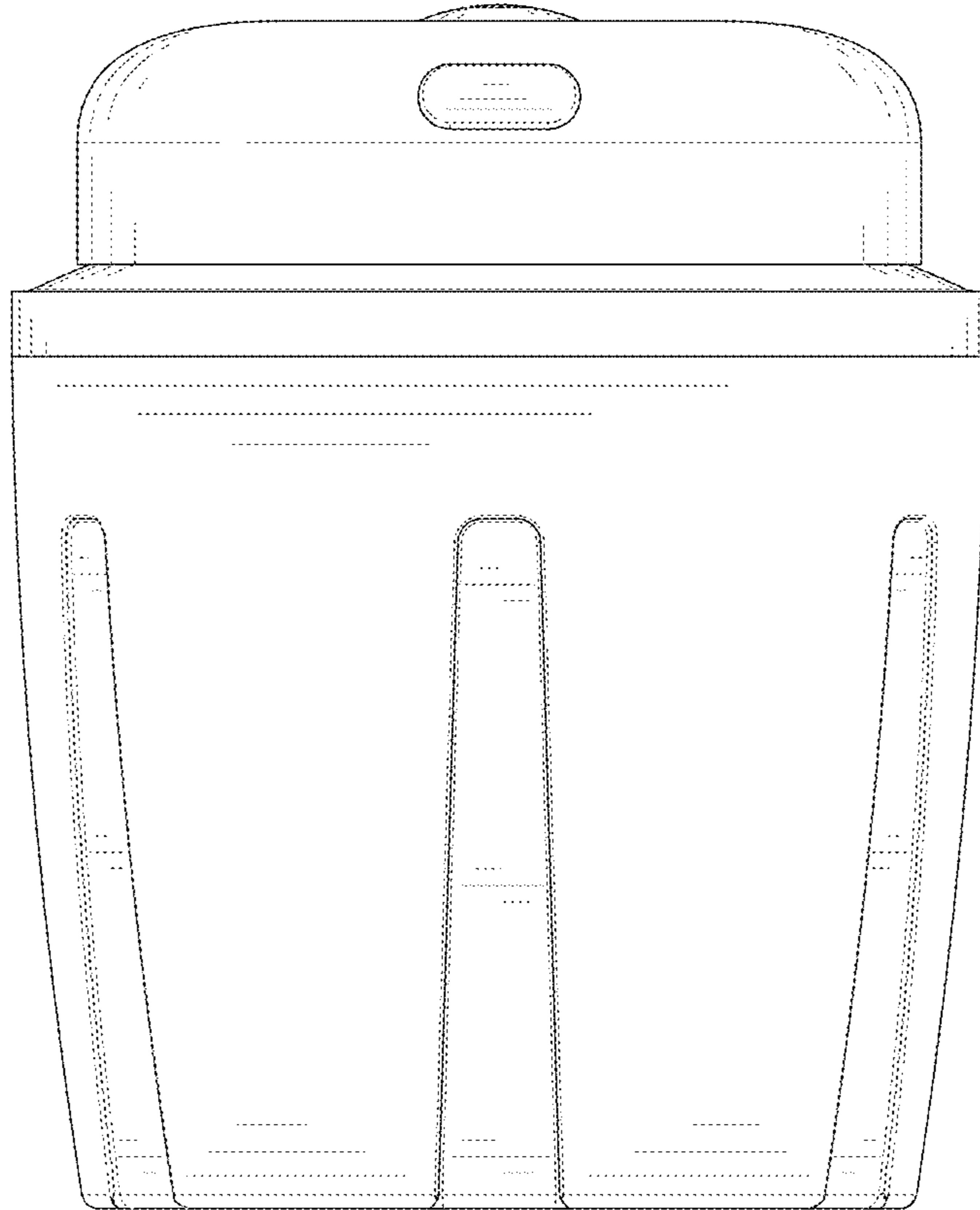


FIG. 4

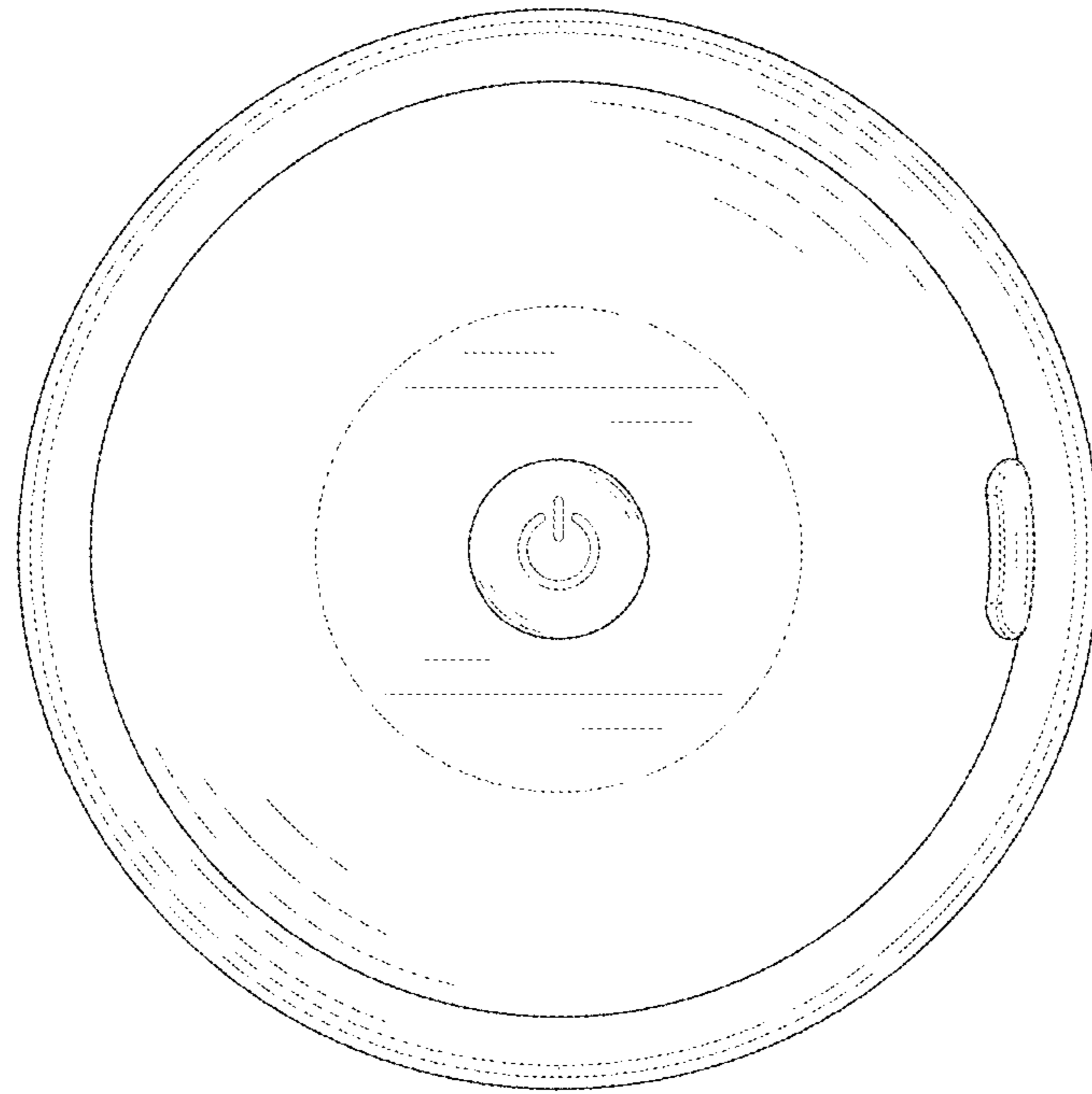


FIG. 5

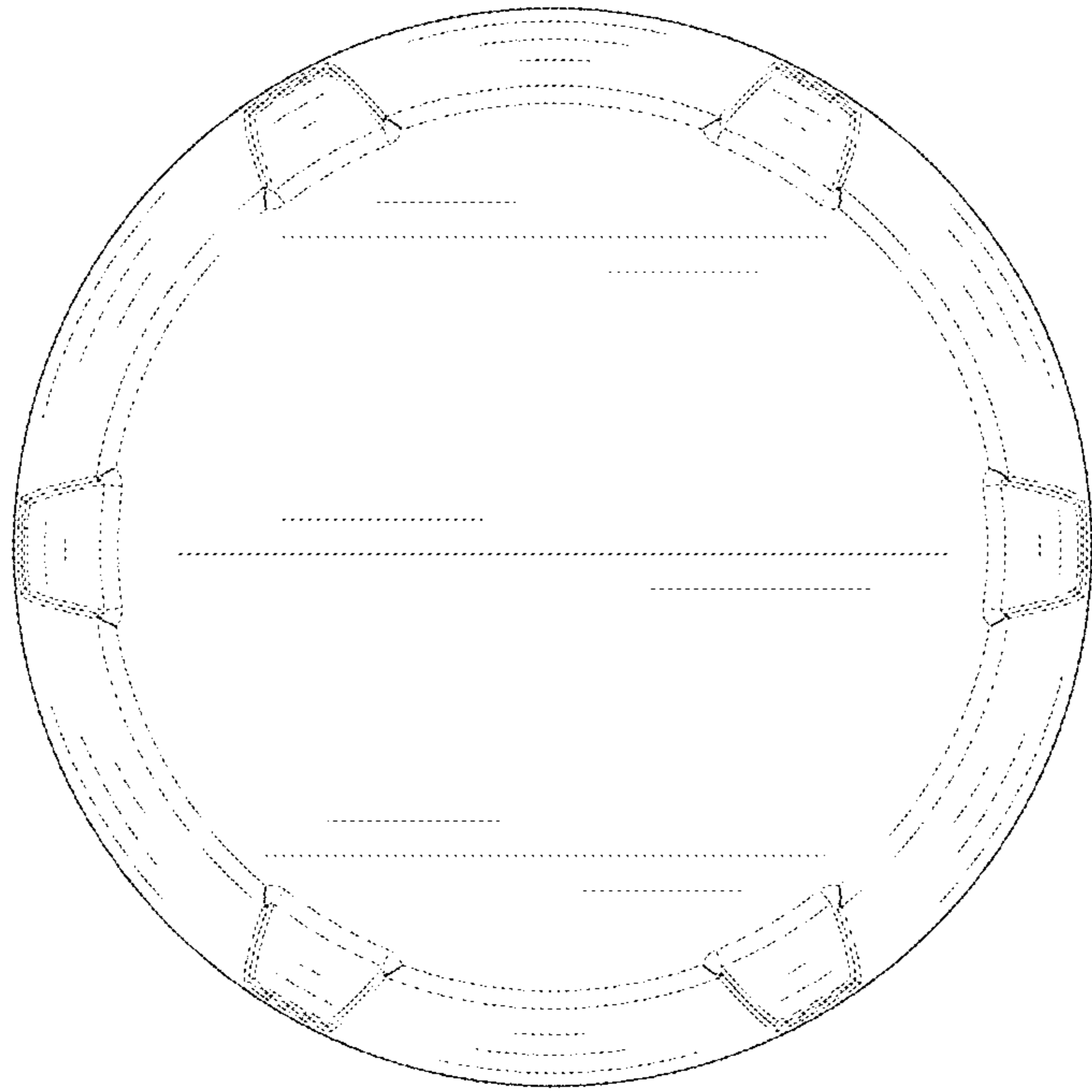


FIG. 6

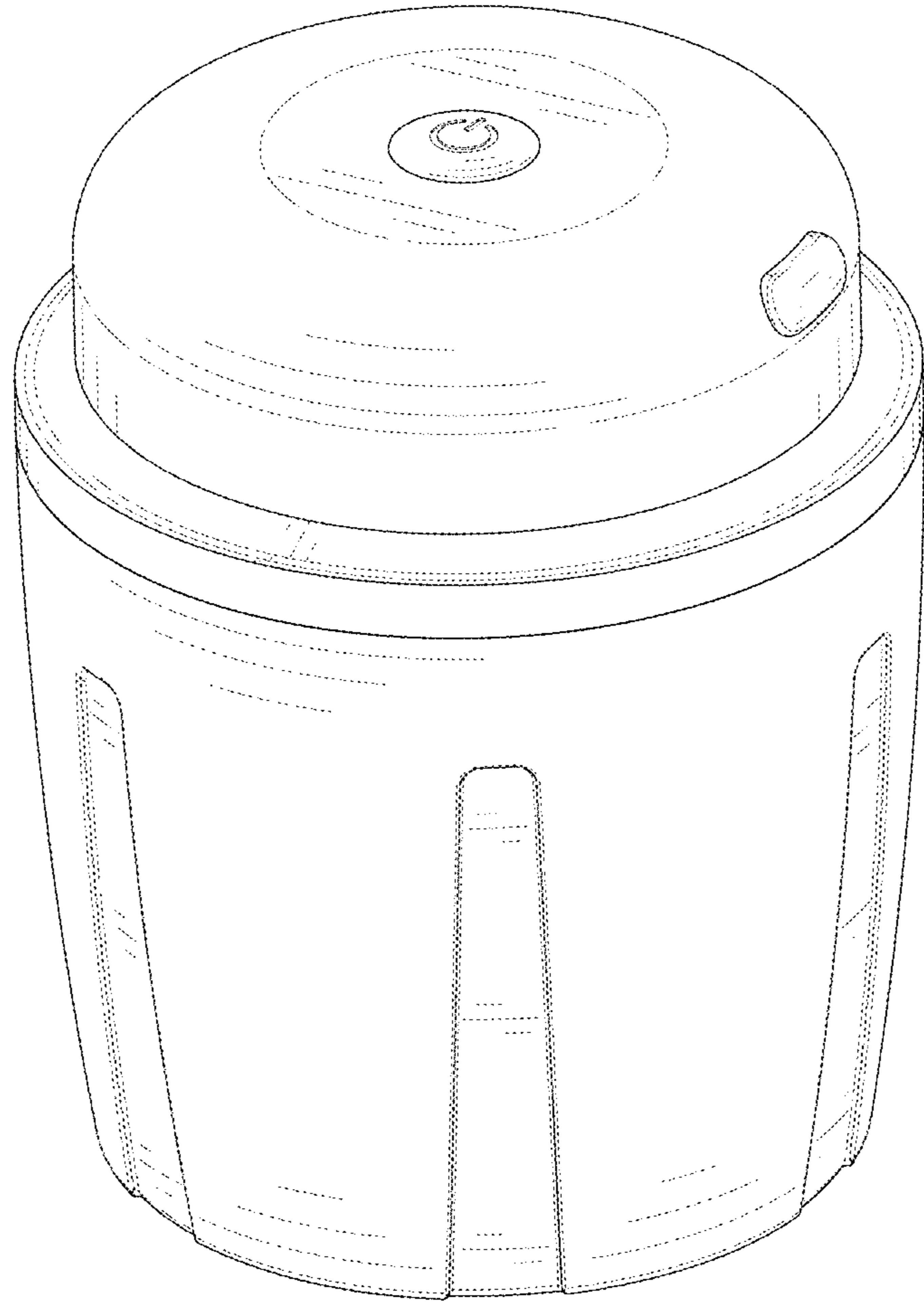


FIG. 7

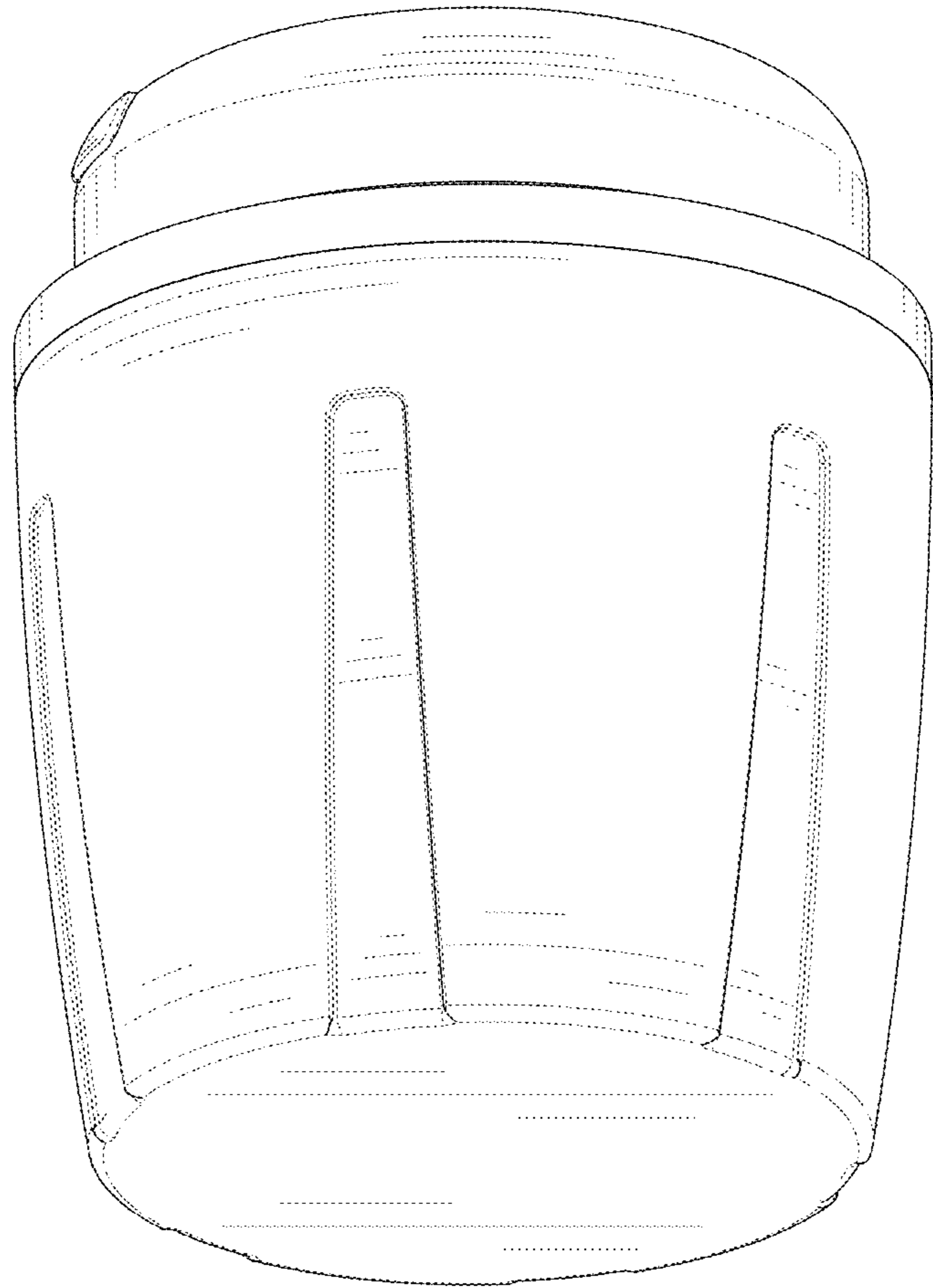


FIG. 8