



US00D989549S

(12) **United States Design Patent**
Holloway

(10) **Patent No.:** **US D989,549 S**
(45) **Date of Patent:** **** Jun. 20, 2023**

(54) **FRYING PAN**

(71) Applicant: **Graham Holloway**, Santa Maria, CA (US)

(72) Inventor: **Graham Holloway**, Santa Maria, CA (US)

(**) Term: **15 Years**

(21) Appl. No.: **29/838,039**

(22) Filed: **May 10, 2022**

Related U.S. Application Data

(63) Continuation of application No. 17/460,953, filed on Aug. 30, 2021.

(51) **LOC (14) Cl.** **07-02**

(52) **U.S. Cl.**
USPC **D7/361**; D7/354; D7/360

(58) **Field of Classification Search**
USPC D7/323, 354–363, 391, 393–396, 409
CPC A47G 19/12; A47J 27/00; A47J 27/002;
A47J 27/08; A47J 27/21; A47J 27/58;
A47J 36/025; A47J 36/06; A47J 36/12;
A47J 37/00; A47J 37/10; A47J 37/101;
A47J 37/103; A47J 37/12; A47J 37/1204;
A47J 45/061; A47J 45/071; A47J 45/08;
B65D 81/3222; H05B 6/12

See application file for complete search history.

(56) **References Cited**

U.S. PATENT DOCUMENTS

216,346	A *	6/1879	Read	A47J 45/061
					99/425
781,081	A *	1/1905	MacFate	B65D 81/3222
					99/422
1,398,655	A *	11/1921	Smith	A47J 37/10
					99/395
1,707,532	A *	4/1929	Moon	A47J 37/10
					99/425
D380,934	S *	7/1997	Alarid, Jr.	D7/354
D381,555	S *	7/1997	Baker	D7/354
D414,981	S *	10/1999	Roskind	D7/359
5,967,024	A *	10/1999	DeMars	A47J 37/10
					99/425
D700,005	S *	2/2014	Moreno	D7/354
8,820,222	B2 *	9/2014	Cloutier	A47J 37/101
					99/425

* cited by examiner

Primary Examiner — Ricky Pham

(74) *Attorney, Agent, or Firm* — Ted Masters

(57) **CLAIM**

The ornamental design for a frying pan, as shown.

DESCRIPTION

FIG. 1 is perspective view of a frying pan;
FIG. 2 is a reverse perspective view of the frying pan;
FIG. 3 is a top plan view of the frying pan;
FIG. 4 is a side elevation view of the frying pan; and,
FIG. 5 is a bottom plan view of the frying pan.

1 Claim, 4 Drawing Sheets

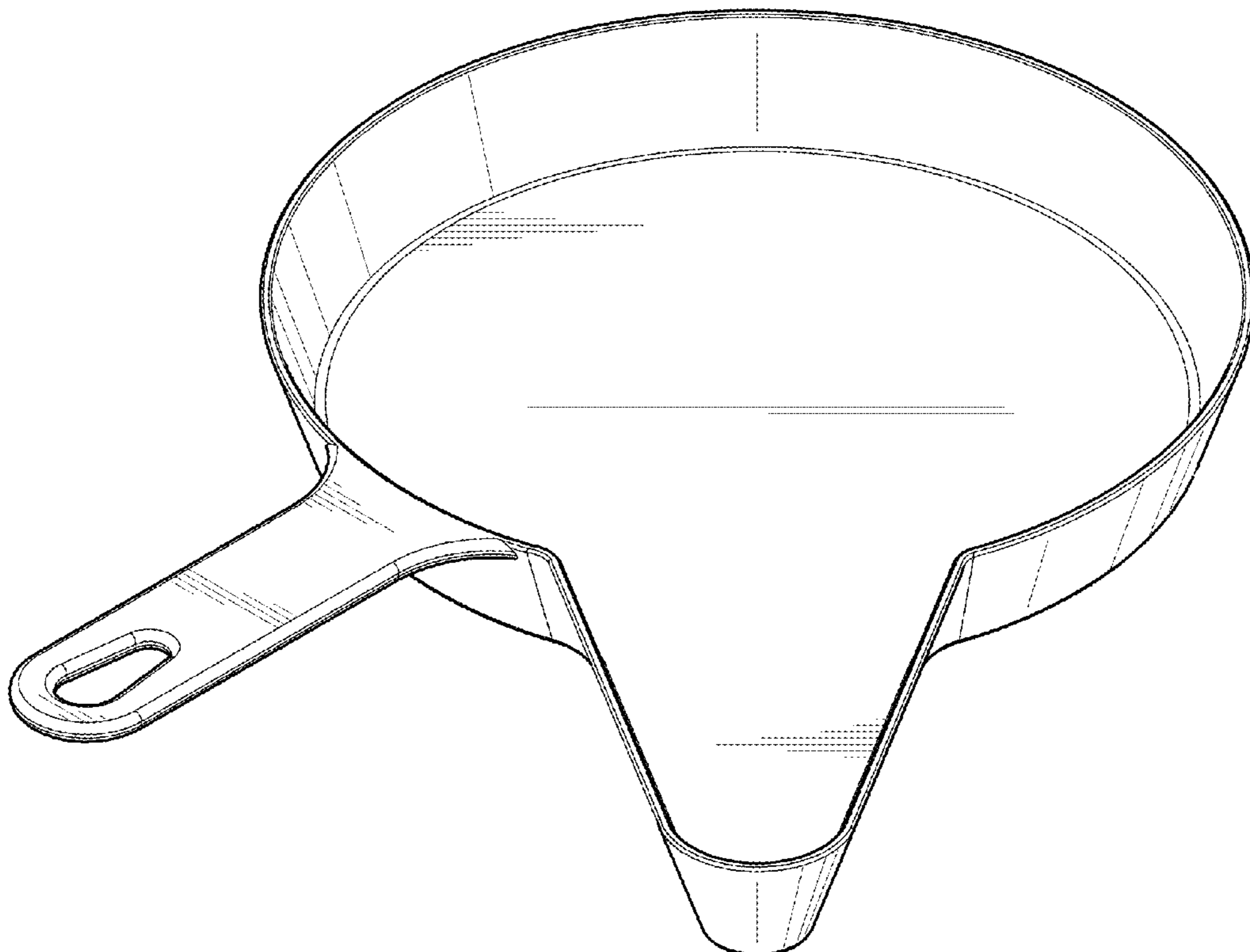


FIG. 1

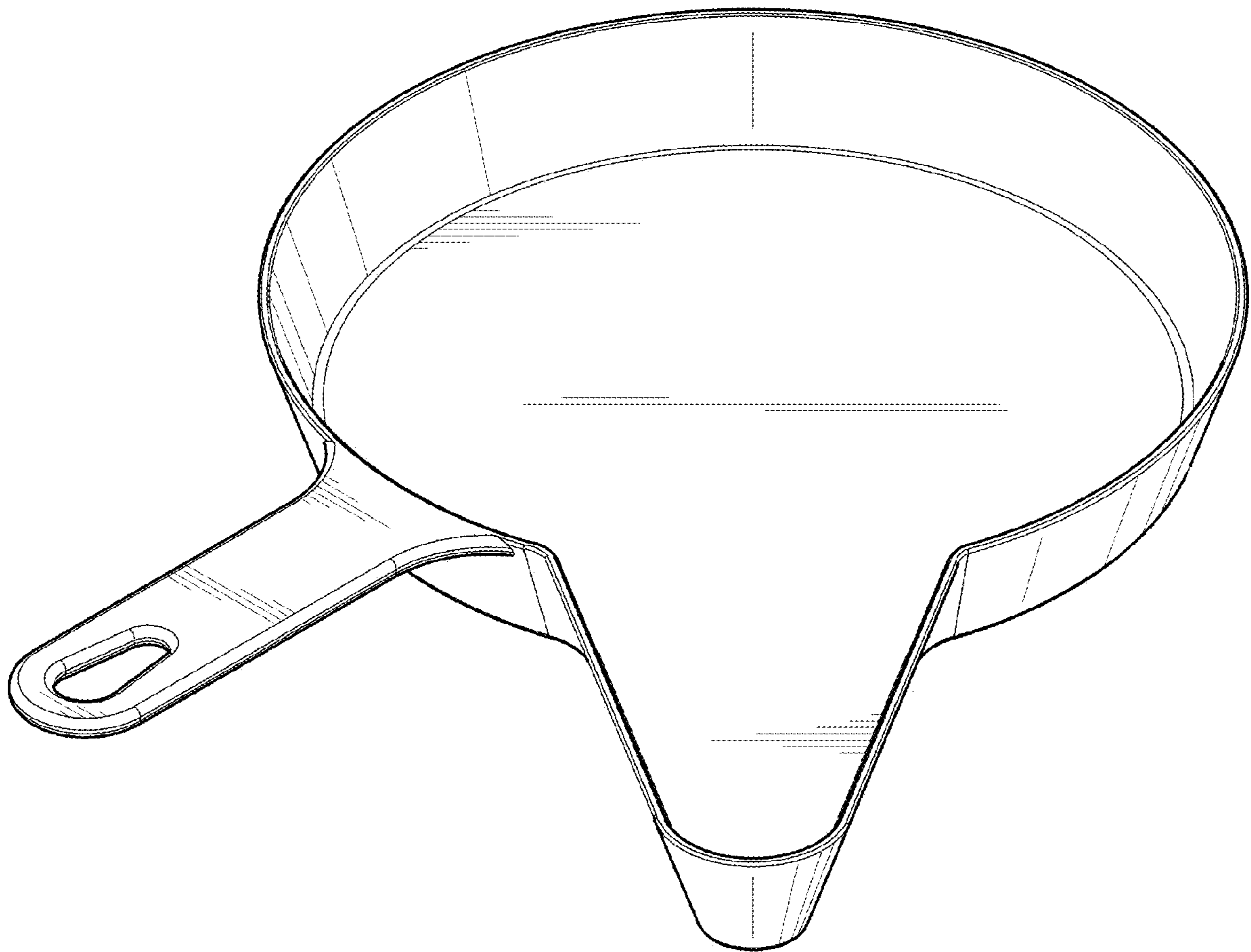


FIG. 2

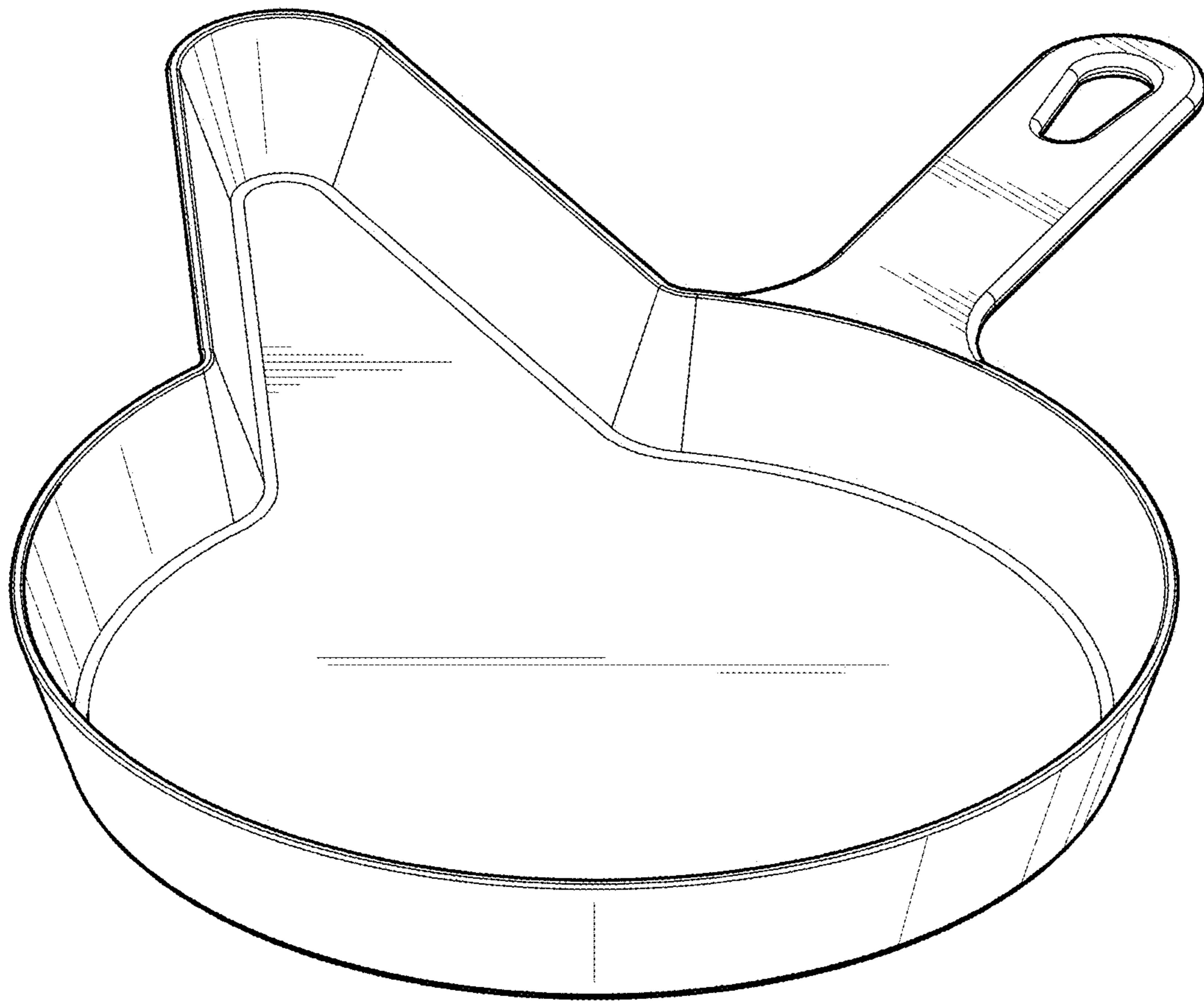


FIG. 3

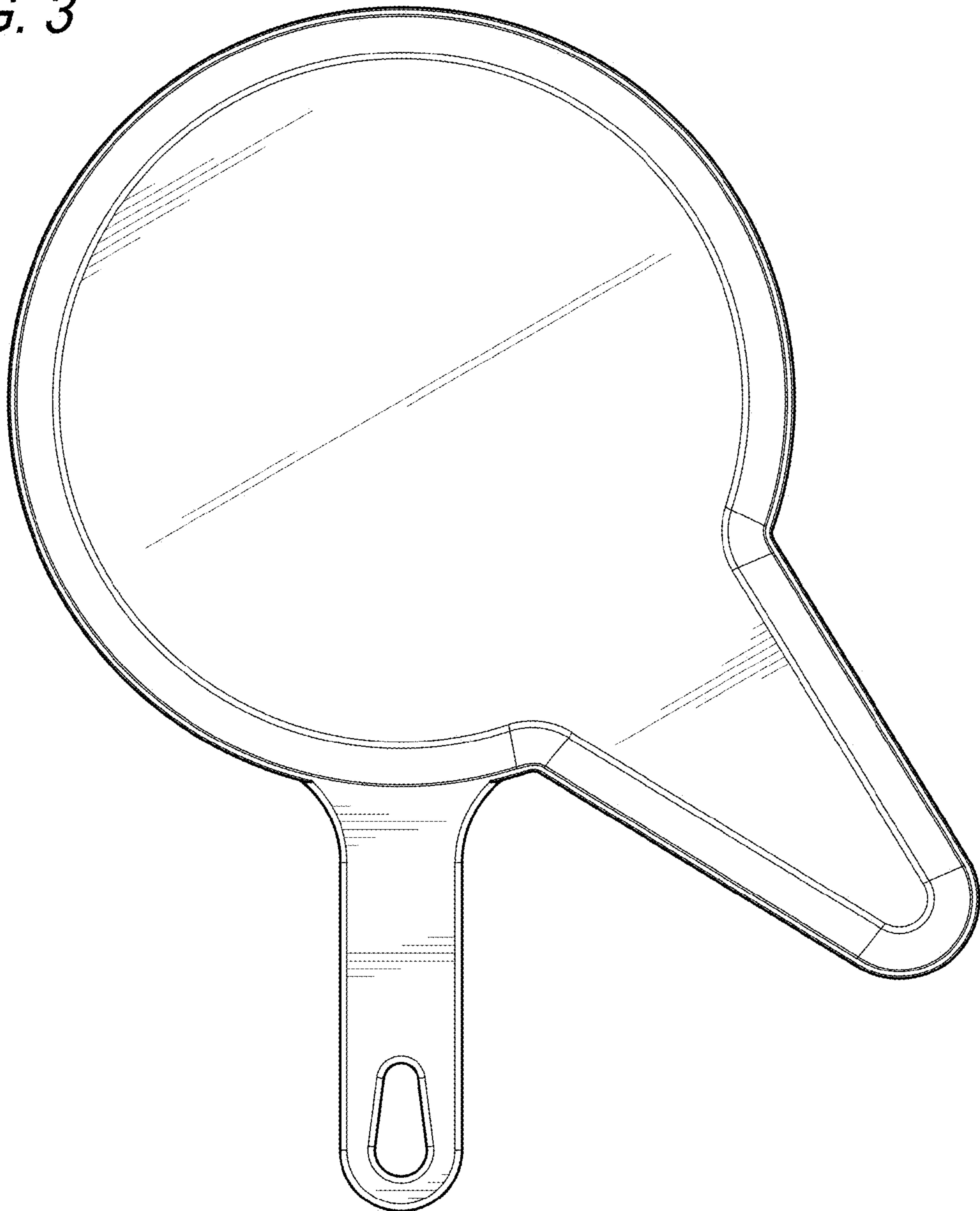


FIG. 4

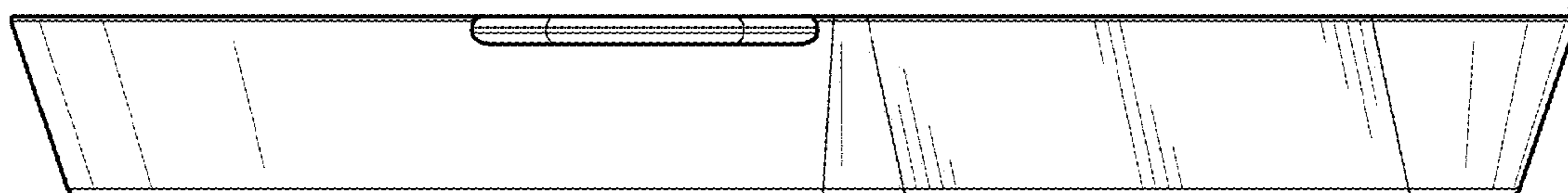


FIG. 5

