



US00D989546S

(12) **United States Design Patent**
Tehrani et al.

(10) **Patent No.:** **US D989,546 S**
(45) **Date of Patent:** **** Jun. 20, 2023**

- (54) **COOKWARE ASSEMBLY**
- (71) Applicant: **Lagom Kitchen Co.**, Culver City, CA (US)
- (72) Inventors: **Amir Tehrani**, Los Angeles, CA (US);
Zachary Rosner, Los Angeles, CA (US); **Melinda Olsen**, Los Angeles, CA (US)
- (73) Assignee: **Lagom Kitchen Co.**, Culver City, CA (US)

D587,519 S 3/2009 Cheng
 D752,912 S * 4/2016 Venot D7/354
 D756,163 S 5/2016 Gabbay
 D797,494 S 9/2017 Mirchandani
 D812,414 S * 3/2018 Kastner D7/361
 (Continued)

FOREIGN PATENT DOCUMENTS

CA 2455023 A1 7/2004
 DE 8521152 U1 10/1985
 (Continued)

OTHER PUBLICATIONS

Our Place Always Pan, The New York Times, Oct. 19, 2021.
<https://www.nytimes.com/wirecutter/reviews/always-pan-our-place/> (Year: 2021).*

(Continued)

Primary Examiner — Ricky Pham
 (74) *Attorney, Agent, or Firm* — Banner & Witcoff, Ltd.

- (**) Term: **15 Years**
- (21) Appl. No.: **29/831,645**
- (22) Filed: **Mar. 22, 2022**
- (51) **LOC (14) Cl.** **07-02**
- (52) **U.S. Cl.**
USPC **D7/360**; D7/354; D7/361
- (58) **Field of Classification Search**
USPC D7/323, 354–363, 391, 393–396, 409
CPC A47G 19/12; A47J 27/00; A47J 27/002;
A47J 27/08; A47J 27/21; A47J 27/58;
A47J 36/025; A47J 36/06; A47J 36/12;
A47J 37/00; A47J 37/10; A47J 37/101;
A47J 37/103; A47J 37/12; A47J 37/1204;
A47J 45/061; A47J 45/071; A47J 45/08;
B65D 25/28; H05B 6/12
See application file for complete search history.

(57) **CLAIM**

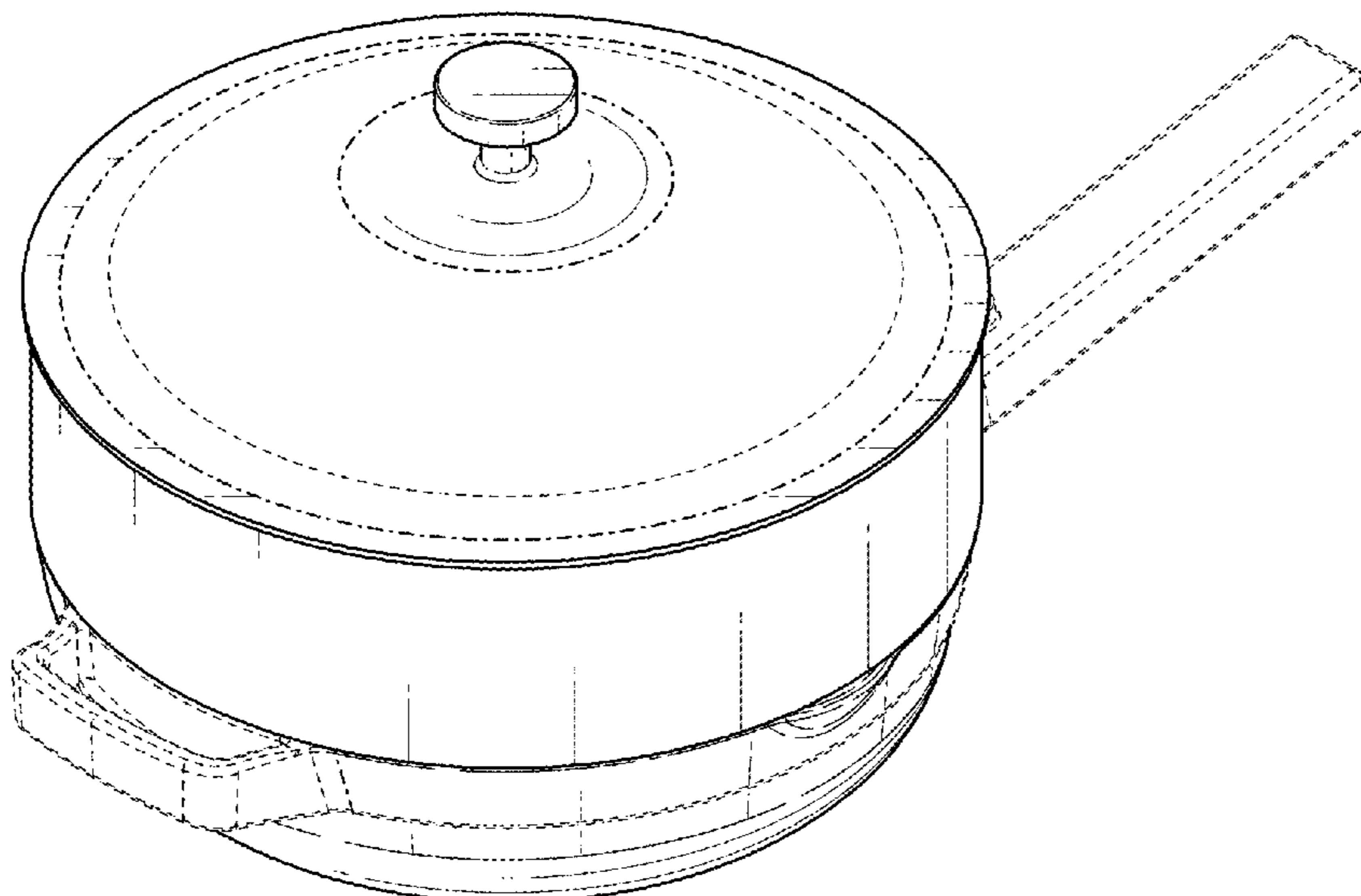
The ornamental design for a cookware assembly, as shown and described.

DESCRIPTION

FIG. 1 is a perspective view of a cookware assembly showing our design;
 FIG. 2 is a front elevation view thereof;
 FIG. 3 is a rear elevation view thereof;
 FIG. 4 is a left side elevation view thereof;
 FIG. 5 is a right side elevation view thereof;
 FIG. 6 is a top view thereof; and,
 FIG. 7 is a bottom view thereof.
 The dotted lines represent portions of the cookware assembly that form no part of the claimed design. The dot-dash-dot lines represent boundaries between claimed and unclaimed subject matter.

- (56) **References Cited**
U.S. PATENT DOCUMENTS
- | | | |
|--------------|---------|-----------|
| D41,717 S | 8/1911 | Swan |
| 4,310,418 A | 1/1982 | Busbey |
| D363,851 S | 11/1995 | Chen |
| D370,826 S | 6/1996 | Thurlow |
| D469,655 S | 2/2003 | Ryan |
| 6,848,592 B2 | 2/2005 | Logiudice |
| D580,214 S | 11/2008 | Dodane |
| D587,062 S | 2/2009 | Ek |

1 Claim, 5 Drawing Sheets



(56)

References Cited

U.S. PATENT DOCUMENTS

D814,859	S	*	4/2018	Kastner	D7/394
D819,393	S		6/2018	Dodane		
D850,186	S		6/2019	Livingston		
D852,576	S		7/2019	Jamison		
D879,546	S		3/2020	Hollinger		
D880,222	S		4/2020	Hollinger		
D883,731	S		5/2020	Tsai		
D888,490	S		6/2020	Li		
D916,547	S	*	4/2021	Tehrani	D7/361
D923,388	S	*	6/2021	Dorion	D7/360
D924,622	S	*	7/2021	Turner	D7/354
D945,812	S	*	3/2022	McVey	D7/354
D972,878	S	*	12/2022	Olsen	D7/360
D972,881	S	*	12/2022	Tehrani	D7/391
D973,421	S	*	12/2022	Piksa	D7/360
D975,495	S	*	1/2023	Olsen	D7/391
D976,052	S	*	1/2023	Olsen	D7/360
2013/0037553	A1		2/2013	Bourbeau		
2017/0247143	A1	*	8/2017	Gossens	B65D 25/28
2018/0368625	A1		12/2018	Wada		

FOREIGN PATENT DOCUMENTS

EM	007538731-0002		5/2020
EP	2976977	A1	1/2016
RU	2264152	C1	11/2005

OTHER PUBLICATIONS

Global Design News, Lagom Kitchen Company, Jul. 29, 2021. <https://globaldesignnews.com/tag/lagom-kitchen-company/> (Year: 2021).*

Sensarte 12 Inch Nonstick Deep Frying Pan. Date First Available on Amazon.com Sep. 24, 2021. <https://www.amazon.com/Sensarte-Nonstick-NonStick-Induction-Compatible/dp/B09HWYBCXQ/ref> (Year: 2021).*

International Search Report and Written Opinion issued by the Russian Federal Institute of Industrial Property for International Patent Application No. PCT/US2020/042498, dated Oct. 15, 2020. Always Pan, announced Dec. 16, 2019 [online], retrieved Sep. 25, 2020 from Internet, https://fromourplace.com/products/always-essential-cooking-pan?utm_source=pepperjam&utm_medium=affiliate&utm_campaign=200286&clickId=3276306738.

These Designers Created a Pan That Is Able to Replace Most of Your Cookware by Itself, announced Nov. 28, 2019 [online], retrieved Sep. 25, 2020 from Internet, <https://fortune.com/2019/11/28/our-place-always-pan-cookware-design/>.

A Pan for Just About Anything, announced Sep. 23, 2019 [online], retrieved Sep. 25, 2020 from Internet, <https://www.nytimes.com/2019/09/23/dining/always-pan-from-our-place.html>.

Non-Final Office Action issued by the United States Patent and Trademark Office for U.S. Appl. No. 29/748,445, dated Dec. 30, 2020.

Notice of Allowance issued by the United States Patent and Trademark Office for U.S. Appl. No. 29/748,445, dated Jun. 29, 2021.

Corrected Notice of Allowance issued by the United States Patent and Trademark Office for U.S. Appl. No. 29/748,445, dated Jul. 27, 2021.

Corrected Notice of Allowance issued by the United States Patent and Trademark Office for U.S. Appl. No. 29/748,445, dated Aug. 4, 2021.

* cited by examiner

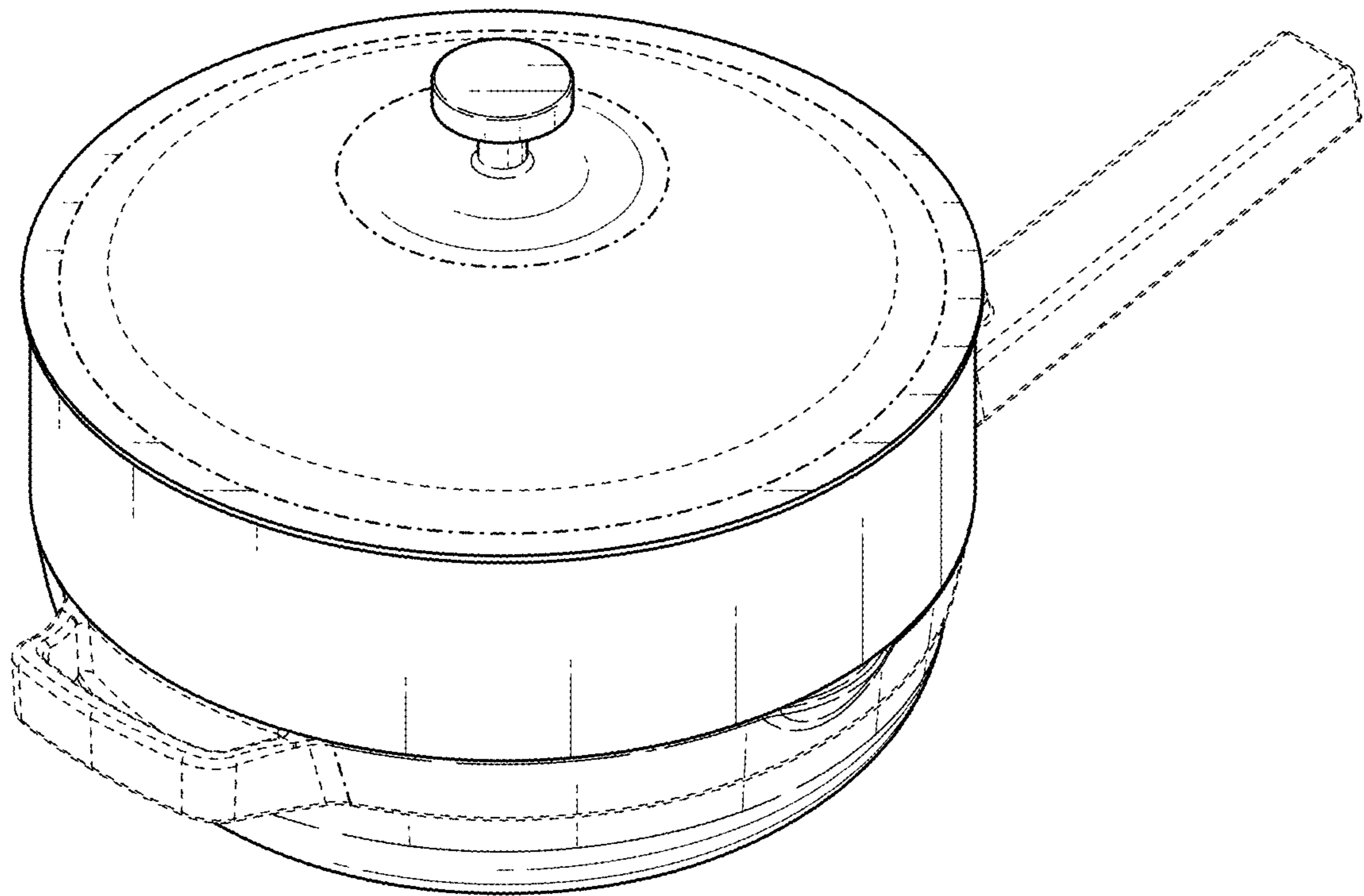


FIG. 1

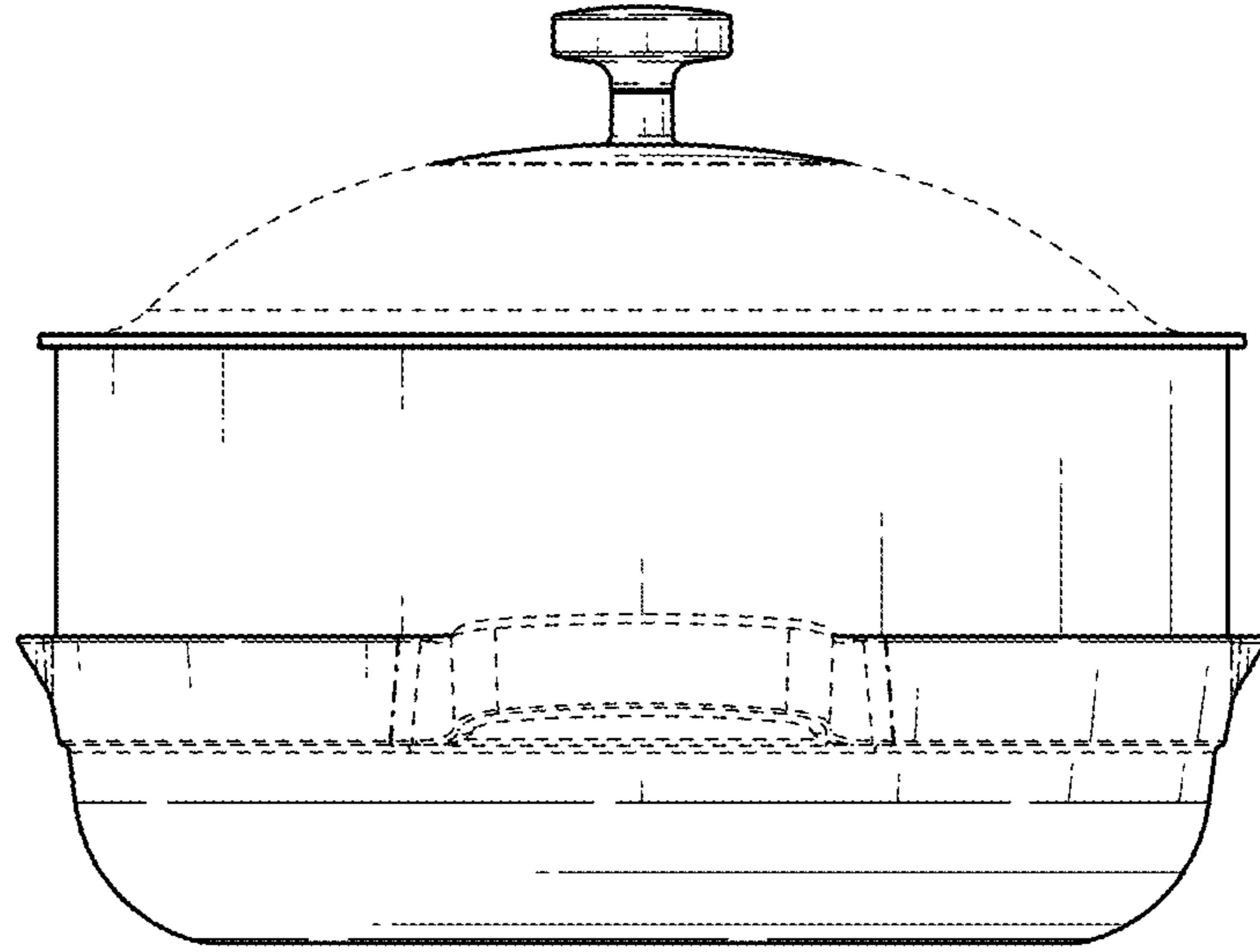


FIG. 2

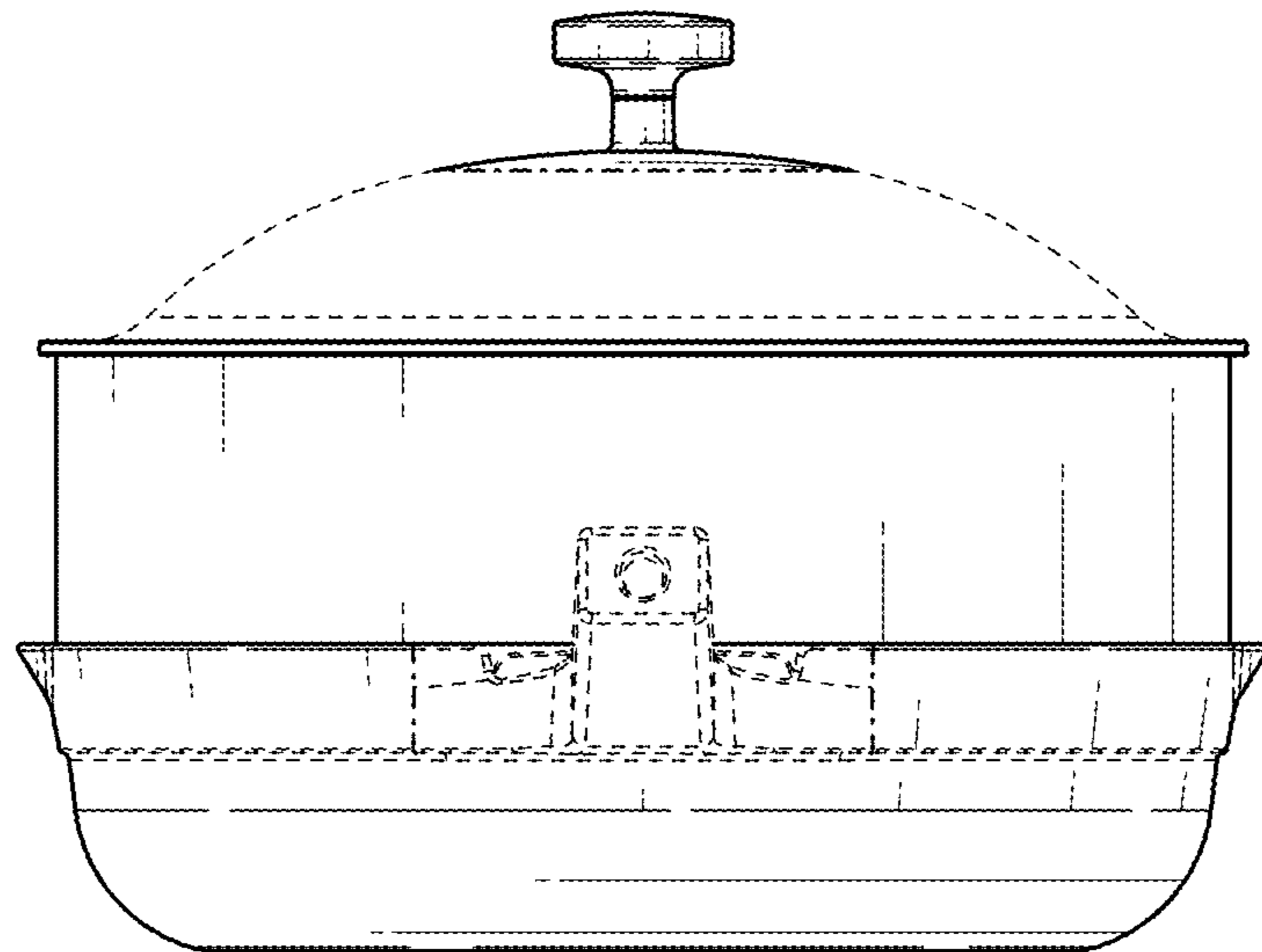


FIG. 3

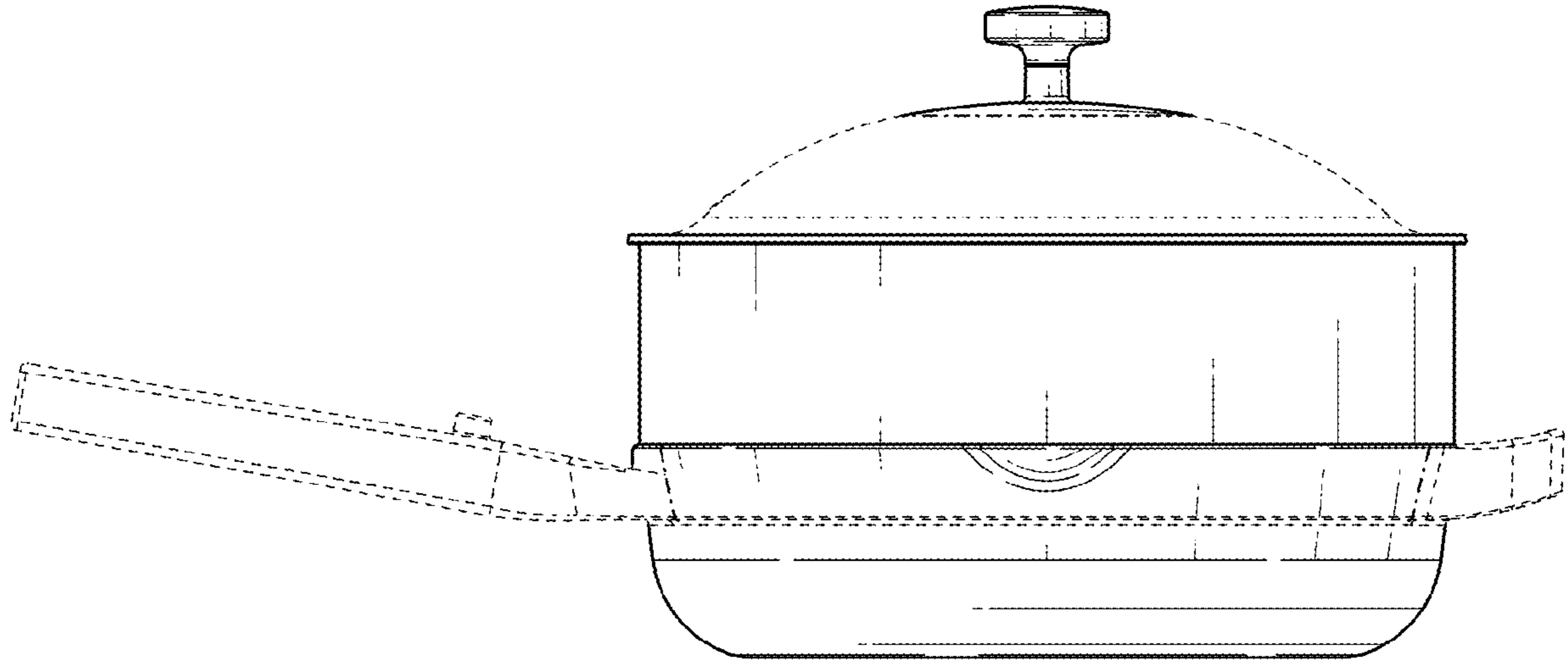


FIG. 4

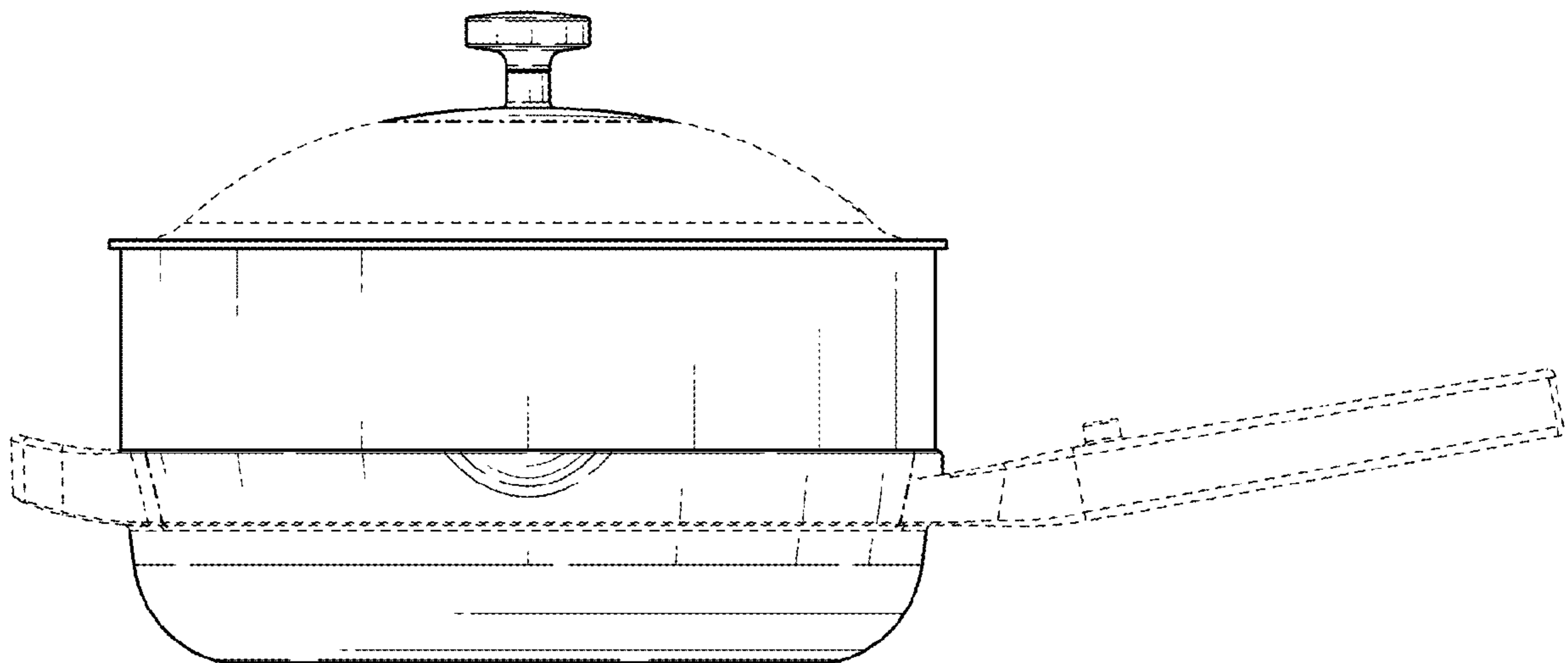


FIG. 5

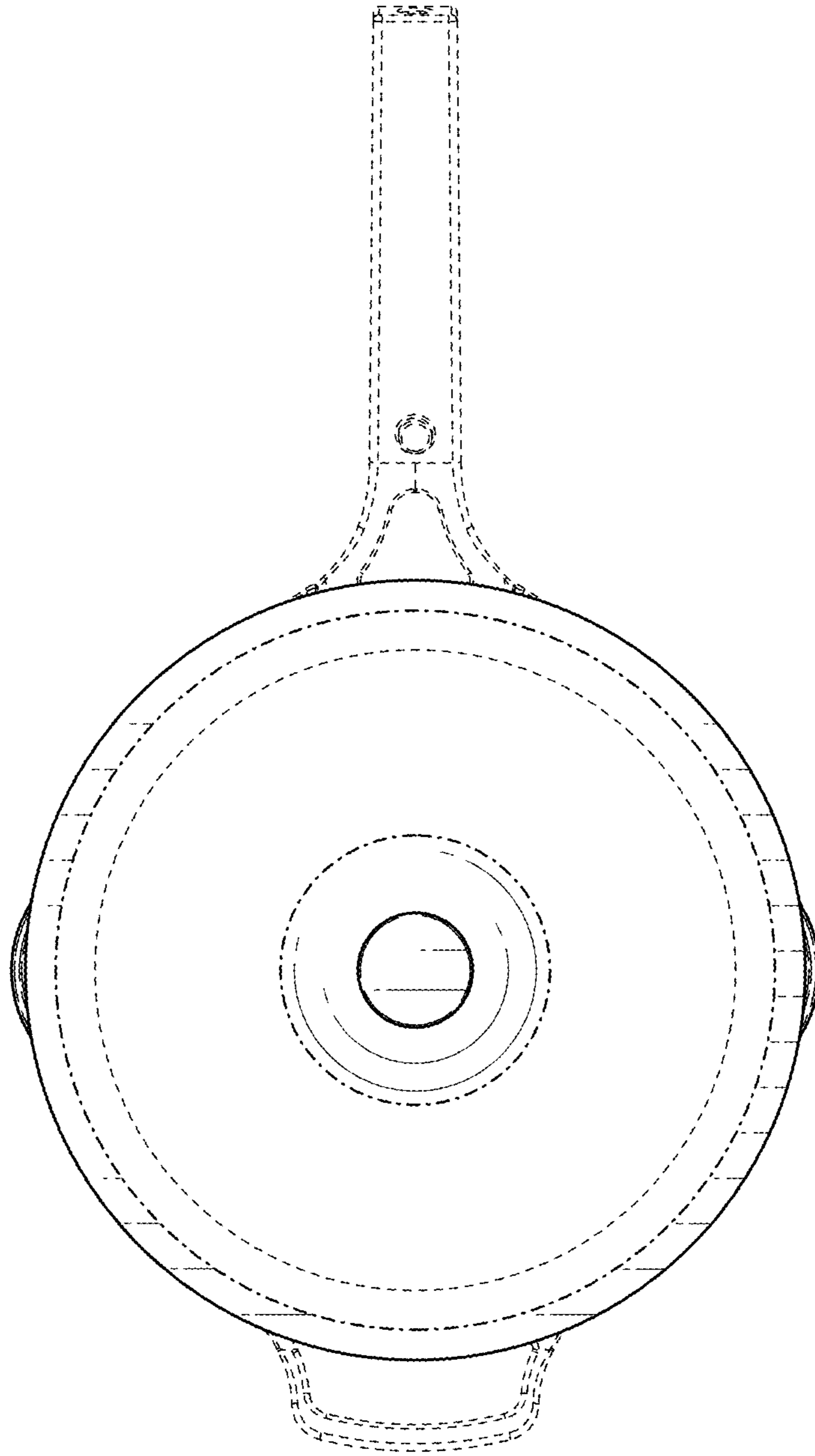


FIG. 6

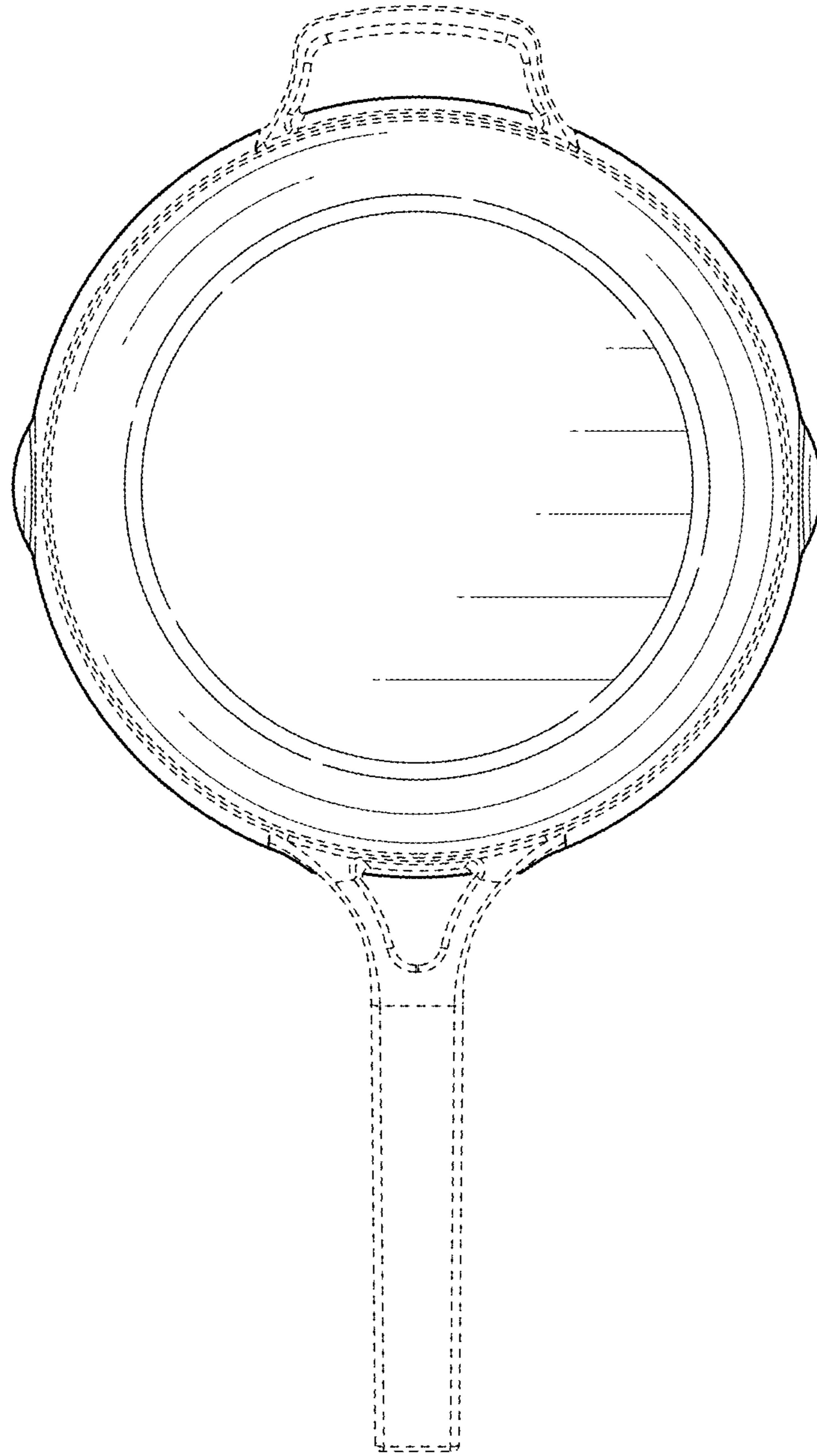


FIG. 7