



US00D989545S

(12) **United States Design Patent**
Corbett

(10) **Patent No.:** **US D989,545 S**
(45) **Date of Patent:** **** Jun. 20, 2023**

- (54) **SOUFFLÉ DISH**
- (71) Applicant: **Cedric Heath Corbett**, Asheville, NC (US)
- (72) Inventor: **Cedric Heath Corbett**, Asheville, NC (US)
- (**) Term: **15 Years**
- (21) Appl. No.: **29/865,279**
- (22) Filed: **Jul. 17, 2022**

Related U.S. Application Data

- (63) Continuation of application No. 29/834,279, filed on Apr. 11, 2022.
- (51) **LOC (14) Cl.** **07-02**
- (52) **U.S. Cl.**
USPC **D7/354**
- (58) **Field of Classification Search**
USPC D3/304; D7/323, 354–361, 543, 545, D7/549, 550.1, 553.1–553.8, 554.1–554.4, D7/555, 584, 586; D9/430–433, D9/455–456, 737, 756–762
CPC A21B 3/00; A21B 3/13; A21B 3/15; A21B 3/133; A21B 3/134; A21B 5/00; A21B 5/02; A47J 36/022; A47J 36/025; A47J 36/027; A47J 37/00; A47J 37/04; B65D 1/22; B65D 1/24; B65D 1/34; B65D 1/36; B65D 5/16; B65D 81/343; B65D 85/36
See application file for complete search history.

(56) **References Cited**

U.S. PATENT DOCUMENTS

- 937,424 A * 10/1909 Costa B65D 1/36 220/23.8
- 1,302,661 A * 5/1919 Jackson A21B 3/134 220/23.2

- 1,461,974 A * 7/1923 Driver A21B 3/133 249/117
- 1,516,232 A * 11/1924 Kratzer A21B 3/134 99/450
- 2,216,147 A * 10/1940 Ward A21B 3/133 220/641
- 2,462,728 A * 2/1949 Debs A21B 3/133 249/111
- 2,738,897 A * 3/1956 Russell A21B 3/13 220/573.1
- 5,718,337 A * 2/1998 Carr B65D 5/16 229/122
- D530,919 S * 10/2006 Snell D3/304
- D569,169 S * 5/2008 Munson D7/354
- D784,066 S * 4/2017 Keating D7/354
- D815,882 S * 4/2018 Mirchandani D7/354
- D859,060 S * 9/2019 Mirchandani D7/360

* cited by examiner

Primary Examiner — Ricky Pham

(74) *Attorney, Agent, or Firm* — The Van Winkle Law Firm; William G. Heedy

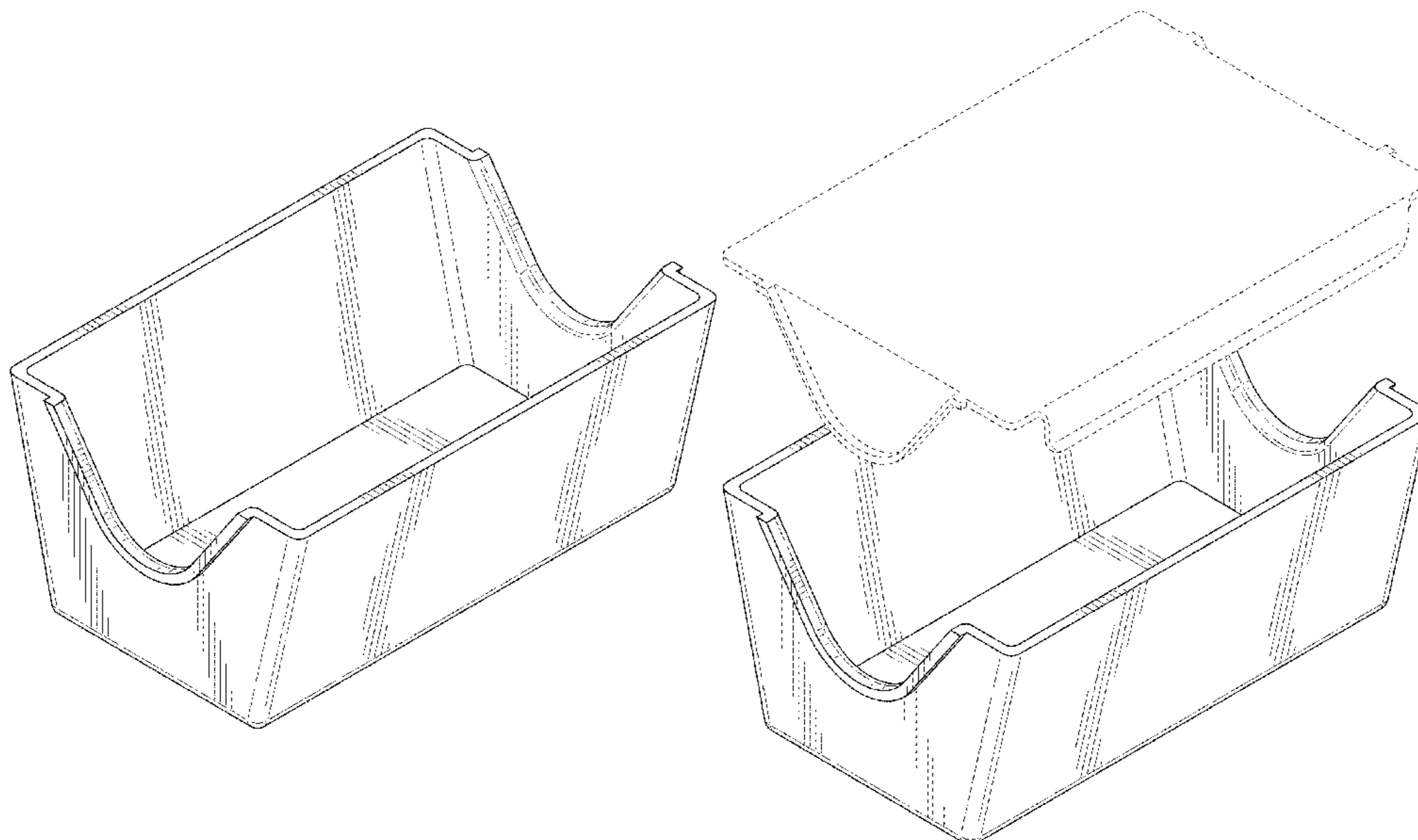
(57) **CLAIM**

The ornamental design for a soufflé dish, as shown and described.

DESCRIPTION

FIG. 1 is a perspective view of a soufflé dish, showing my new design;
 FIG. 2 is a front elevational view thereof;
 FIG. 3 is a rear elevational view thereof;
 FIG. 4 is a right side view thereof;
 FIG. 5 is a left side view thereof;
 FIG. 6 is a top view thereof;
 FIG. 7 is a bottom view thereof; and,
 FIG. 8 is a perspective view thereof.
 In the drawings, the broken lines showing a lid in FIG. 8 form no part of the claimed design.

1 Claim, 6 Drawing Sheets



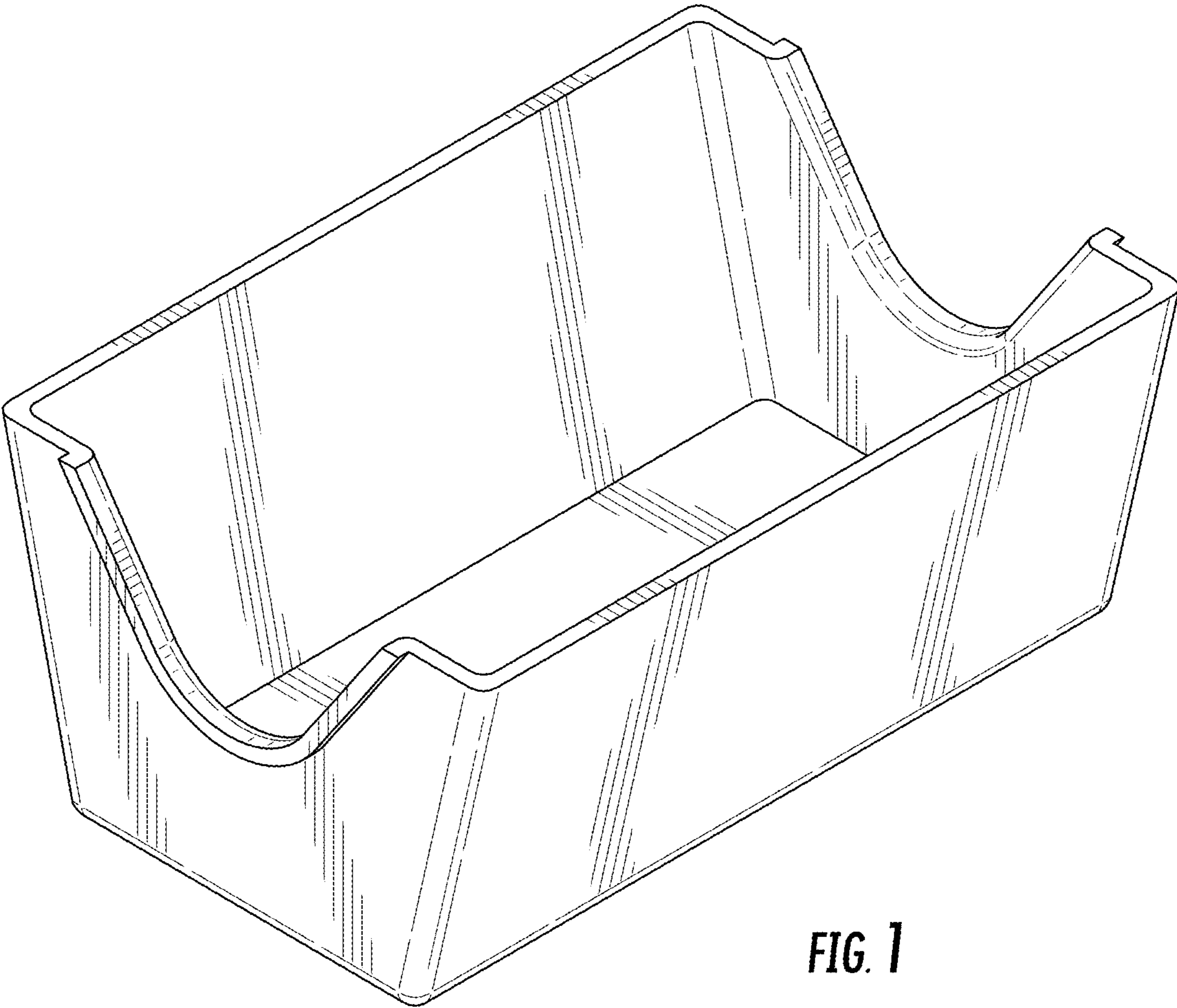


FIG. 1

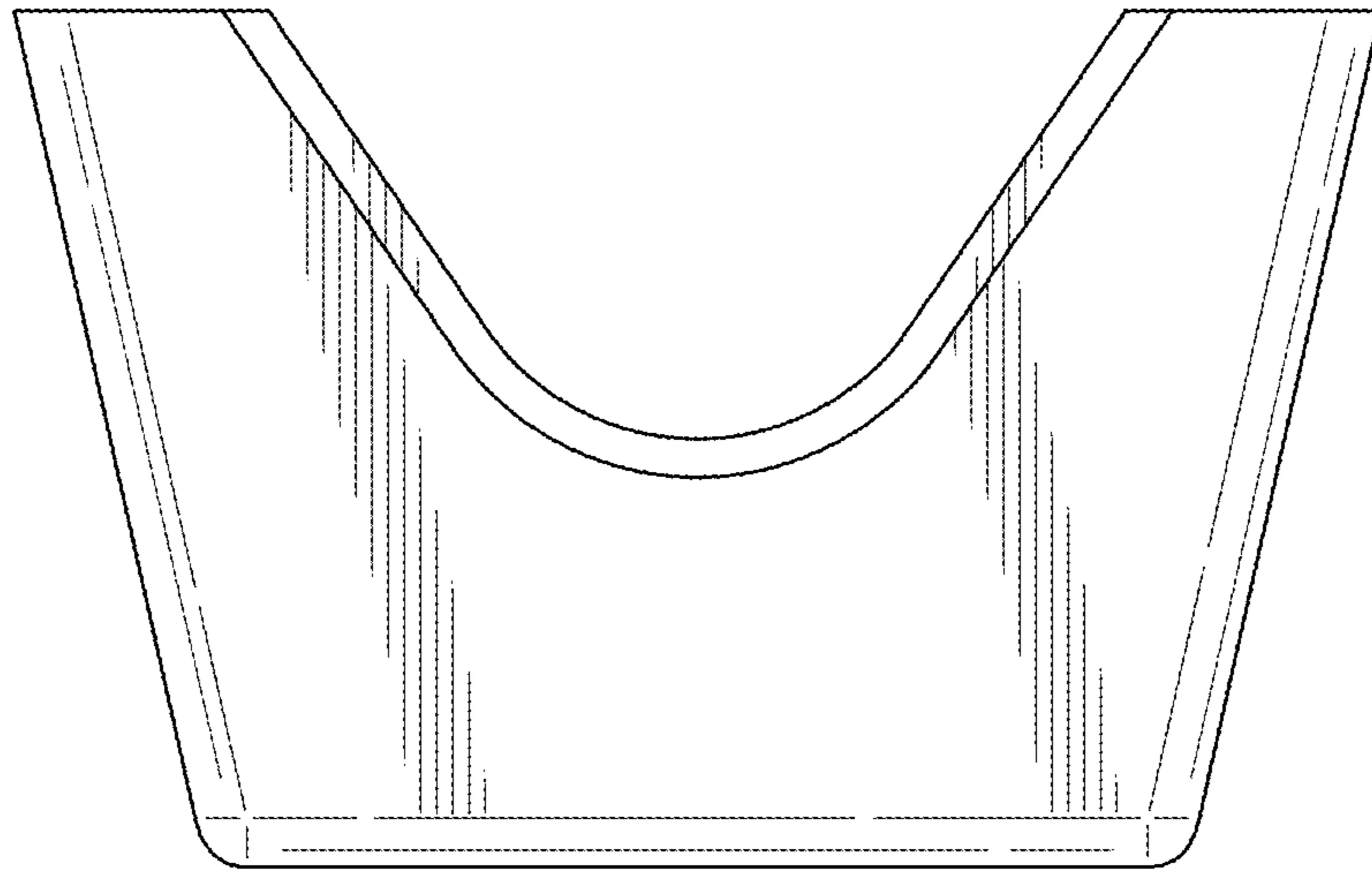


FIG. 2

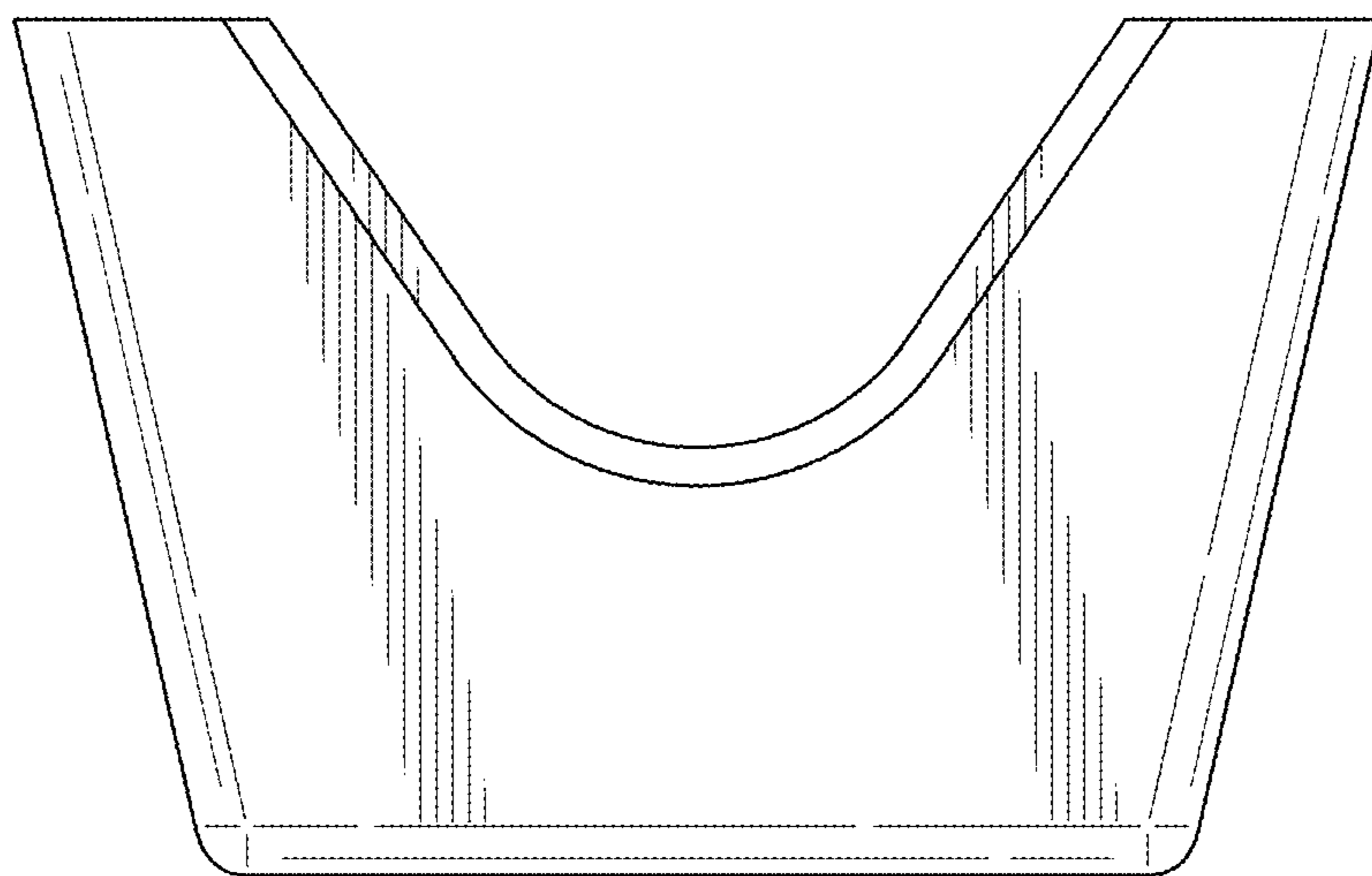


FIG. 3

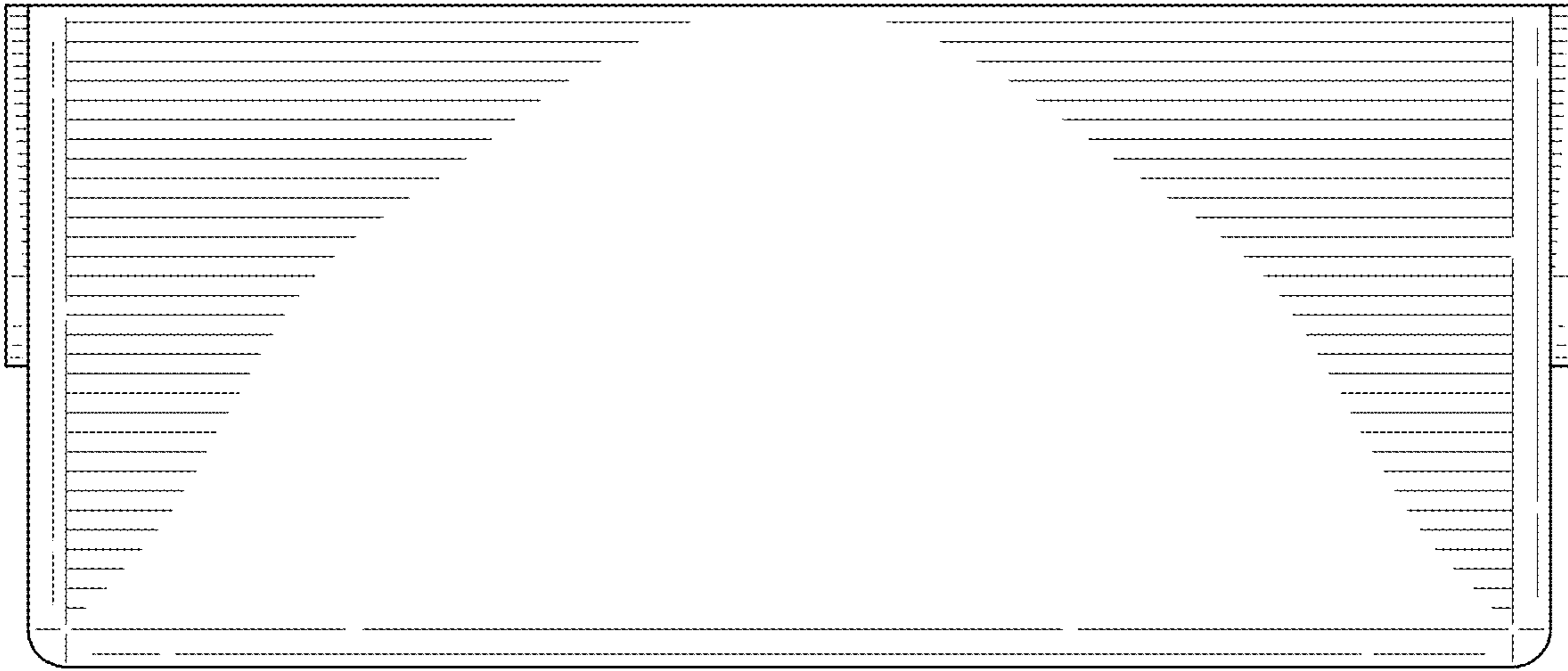


FIG. 4

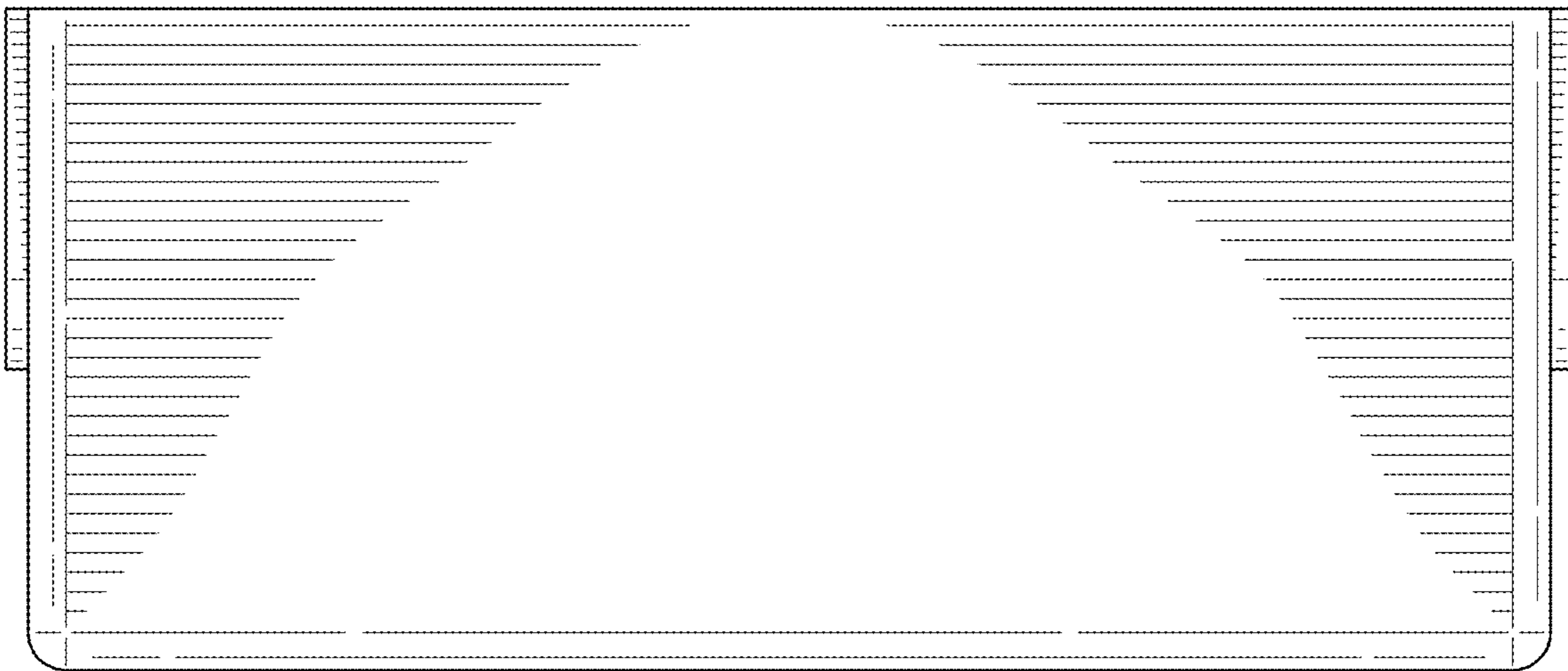


FIG. 5

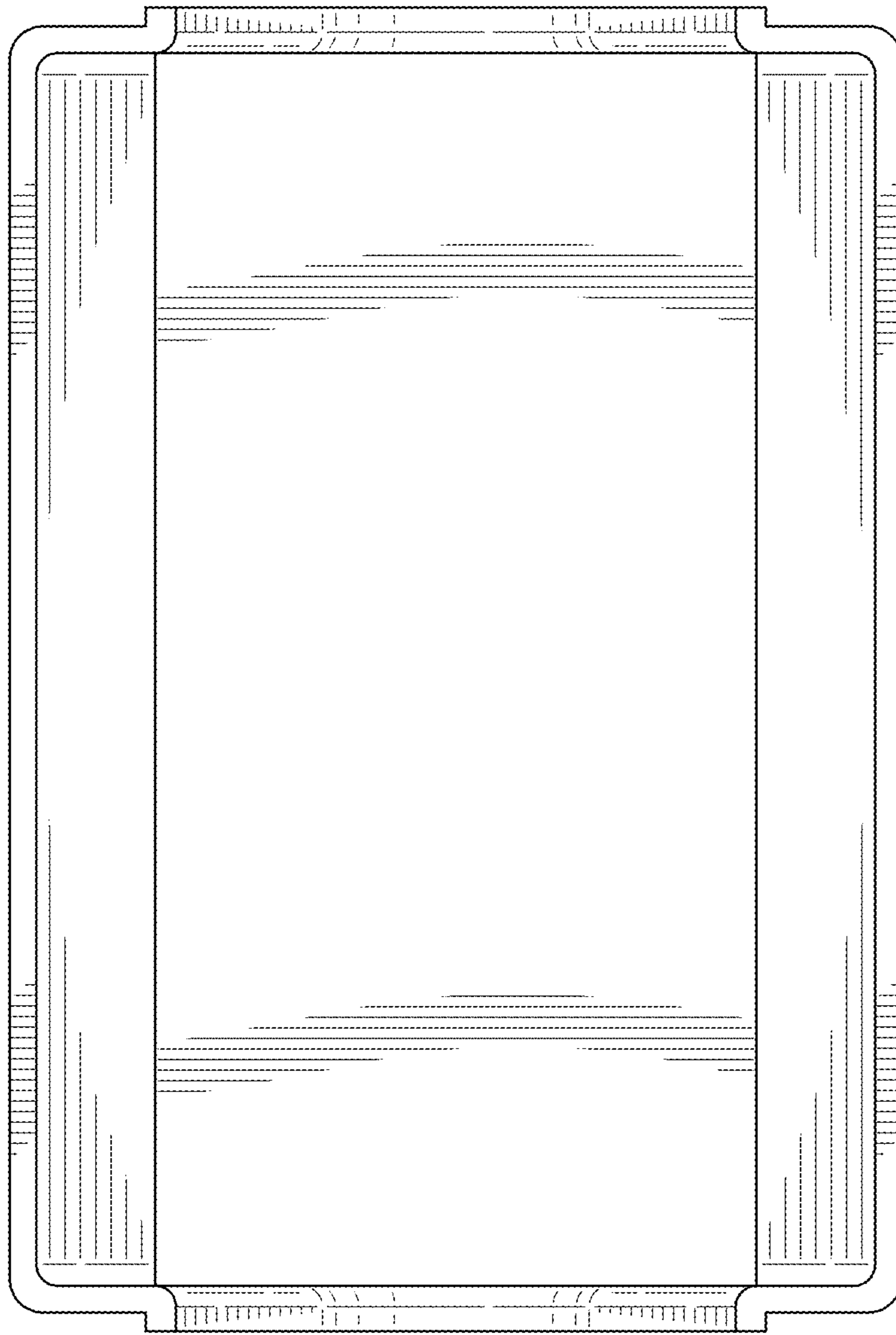


FIG. 6

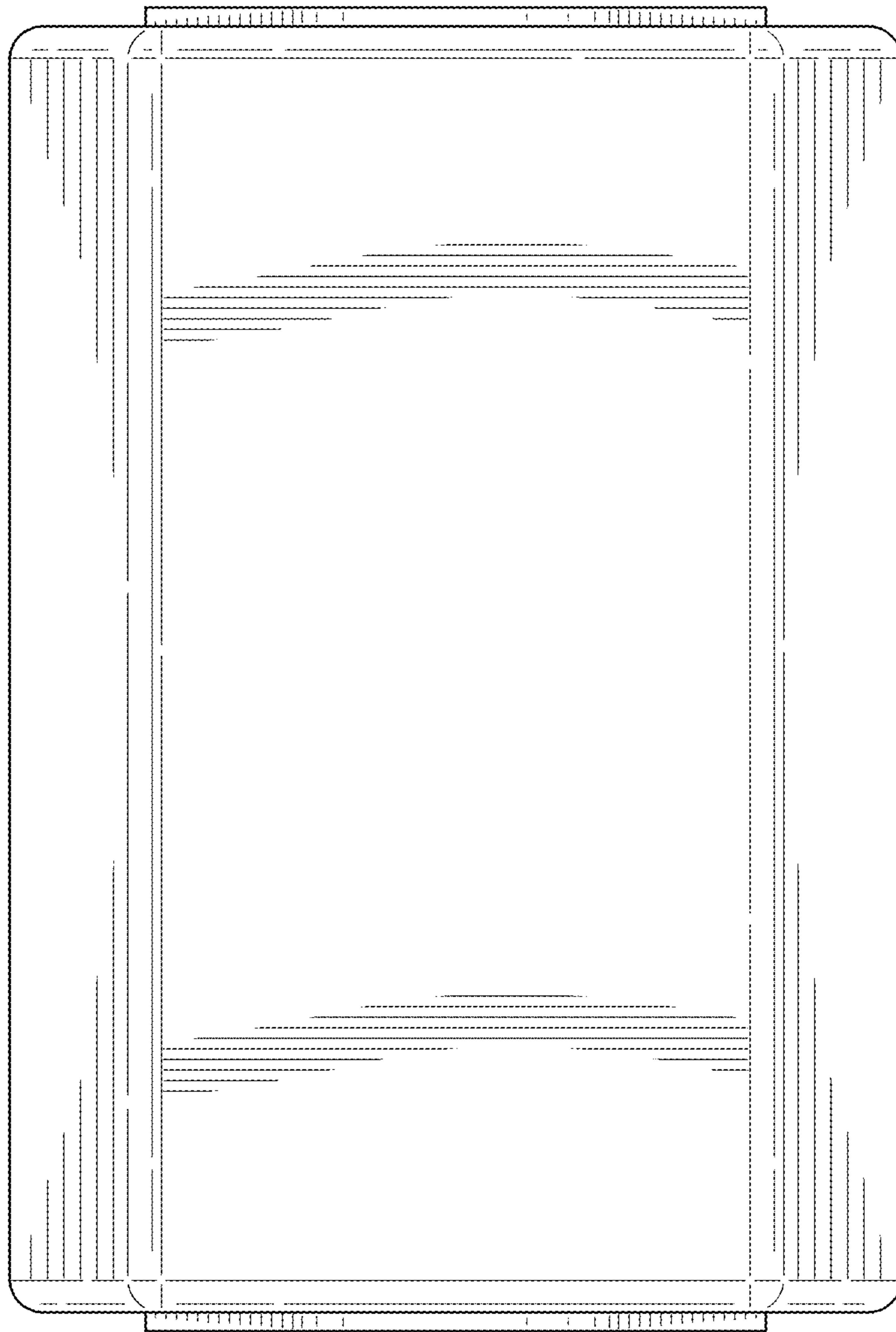


FIG. 7

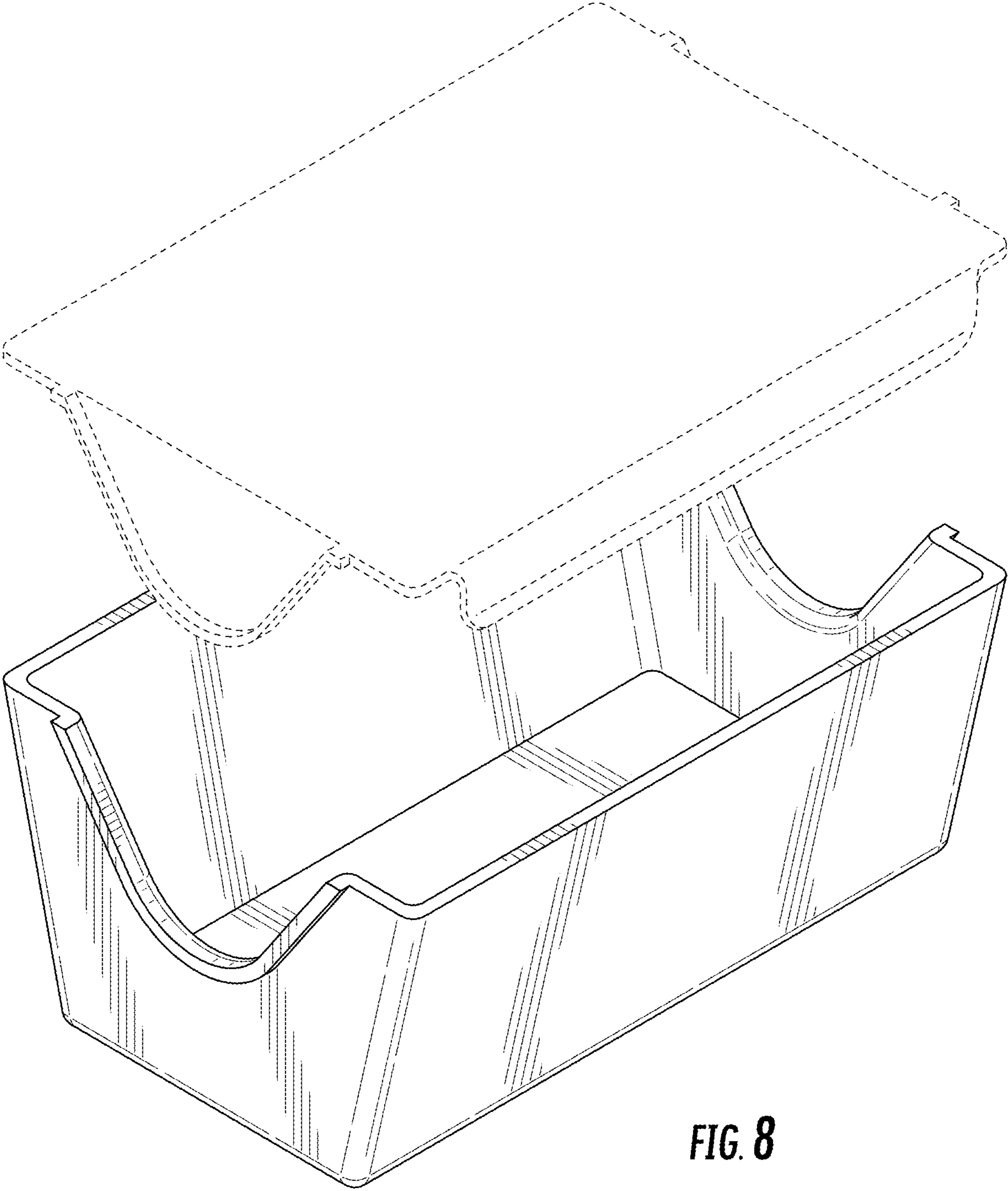


FIG. 8