



US00D989544S

(12) **United States Design Patent**  
**Corbett**

(10) **Patent No.:** **US D989,544 S**  
(45) **Date of Patent:** **\*\* Jun. 20, 2023**

- (54) **SOUFFLÉ DISH**
- (71) Applicant: **Cedric Heath Corbett**, Asheville, NC (US)
- (72) Inventor: **Cedric Heath Corbett**, Asheville, NC (US)
- (\*\*) Term: **15 Years**
- (21) Appl. No.: **29/837,588**
- (22) Filed: **May 6, 2022**
- Related U.S. Application Data**
- (63) Continuation-in-part of application No. 29/834,279, filed on Apr. 11, 2022.
- (51) **LOC (14) Cl.** ..... **07-02**
- (52) **U.S. Cl.**  
USPC ..... **D7/354**
- (58) **Field of Classification Search**  
USPC ..... D3/304; D7/323, 354–361, 543, 545, D7/549, 550.1, 553.1–553.8, 554.1–554.4, D7/555, 584, 586; D9/430–433, D9/455–456, 737, 756–762  
CPC .... A21B 3/00; A21B 3/13; A21B 3/15; A21B 3/133; A21B 3/134; A21B 5/00; A21B 5/02; A47J 36/022; A47J 36/025; A47J 36/027; A47J 37/00; A47J 37/04; B65D 1/22; B65D 1/24; B65D 1/34; B65D 1/36; B65D 5/16; B65D 81/343; B65D 85/36  
See application file for complete search history.

- (56) **References Cited**  
**U.S. PATENT DOCUMENTS**  
937,424 A \* 10/1909 Costa ..... B65D 1/36 220/23.8  
1,302,661 A \* 5/1919 Jackson ..... A21B 3/134 220/23.2

- 1,461,974 A \* 7/1923 Driver ..... A21B 3/133 249/117
- 1,516,232 A \* 11/1924 Kratzer ..... A21B 3/134 99/450
- 2,216,147 A \* 10/1940 Ward ..... A21B 3/133 220/641
- 2,462,728 A \* 2/1949 Debs ..... A21B 3/133 249/111
- 2,738,897 A \* 3/1956 Russell ..... A21B 3/13 220/573.1
- 5,718,337 A \* 2/1998 Carr ..... B65D 5/16 229/122
- D530,919 S \* 10/2006 Snell ..... D3/304
- D569,169 S \* 5/2008 Munson ..... D7/354
- D784,066 S \* 4/2017 Keating ..... D7/354
- D815,882 S \* 4/2018 Mirchandani ..... D7/354
- D859,060 S \* 9/2019 Mirchandani ..... D7/360

\* cited by examiner

*Primary Examiner* — Ricky Pham  
(74) *Attorney, Agent, or Firm* — The Van Winkle Law Firm; William G. Needy

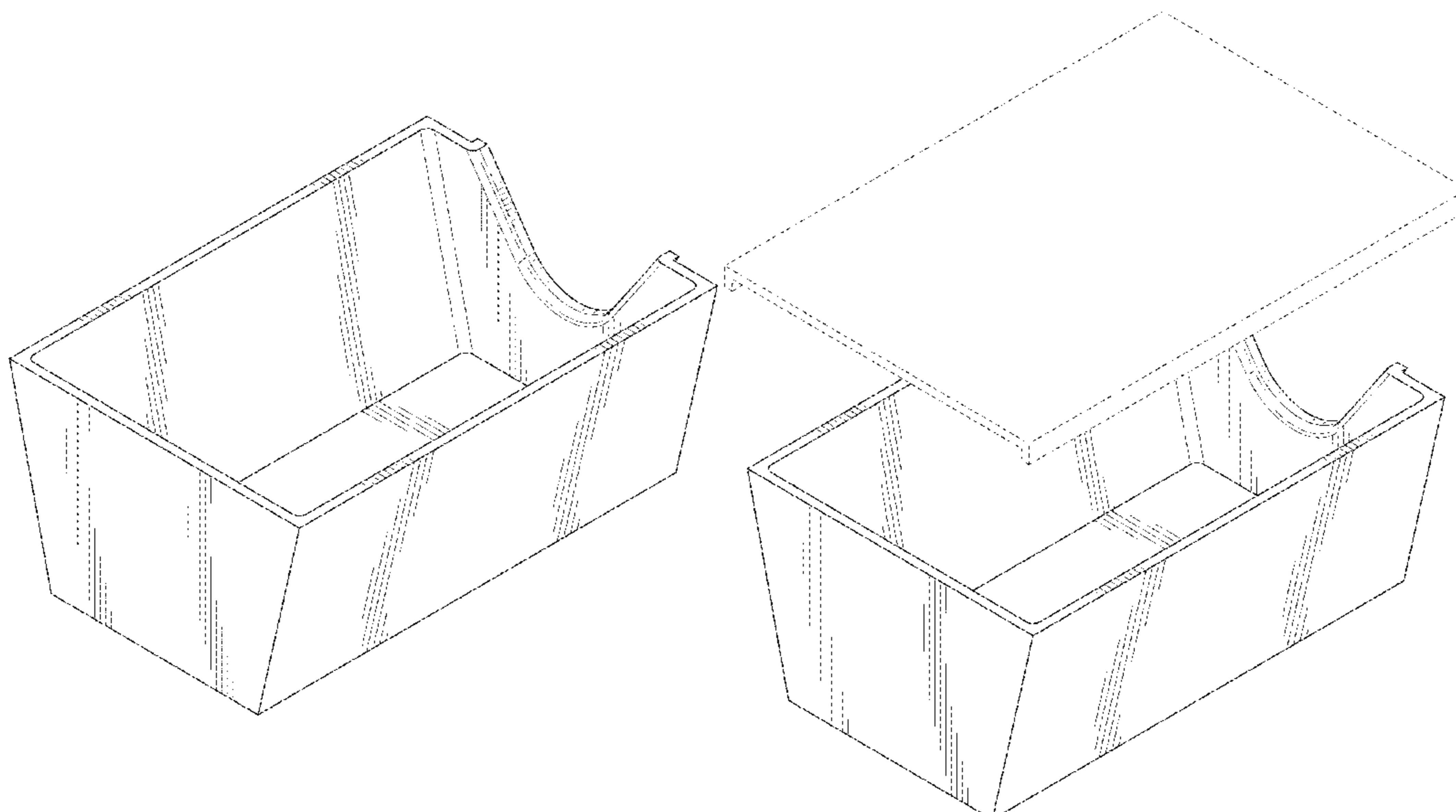
(57) **CLAIM**

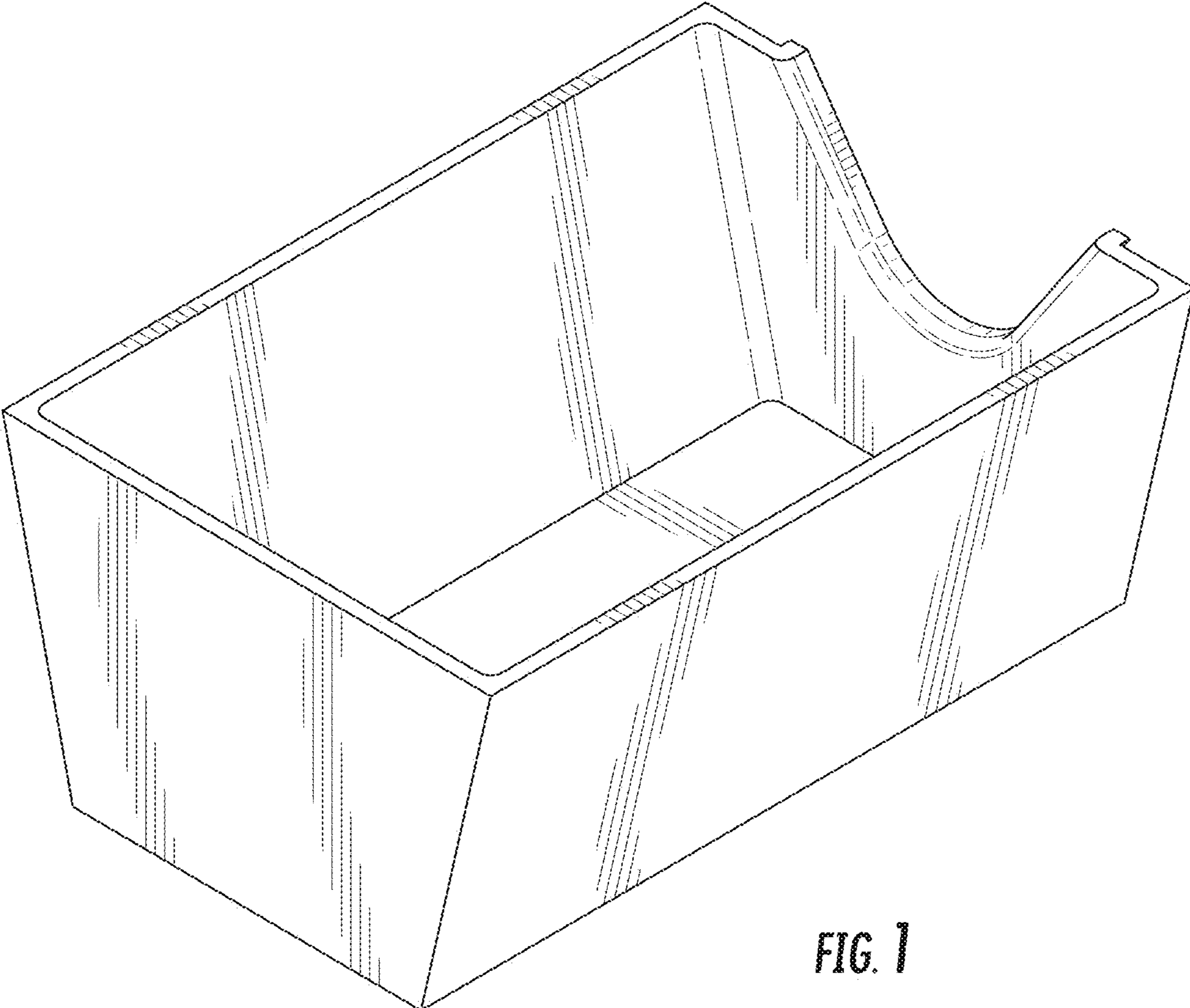
The ornamental design for a soufflé dish, as shown and described.

**DESCRIPTION**

FIG. 1 is a perspective view of a soufflé dish, showing my new design;  
FIG. 2 is a front elevational view thereof;  
FIG. 3 is a rear elevational view thereof;  
FIG. 4 is a right side view thereof;  
FIG. 5 is a left side view thereof;  
FIG. 6 is a top view thereof;  
FIG. 7 is a bottom view thereof; and,  
FIG. 8 is a perspective view thereof.  
In the drawings, the broken lines showing a lid in FIG. 8 form no part of the claimed design.

**1 Claim, 6 Drawing Sheets**





**FIG. 1**

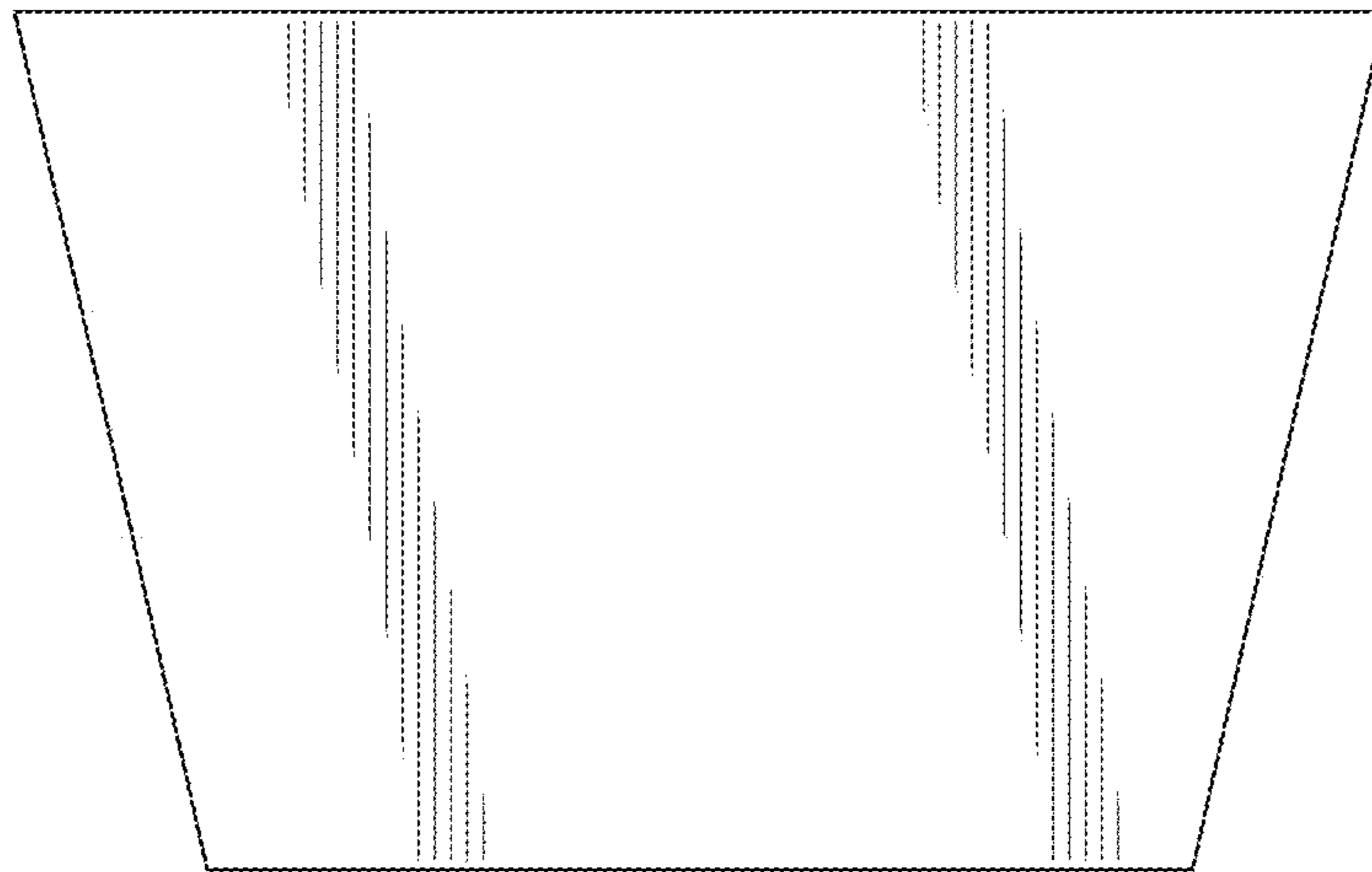


FIG. 2

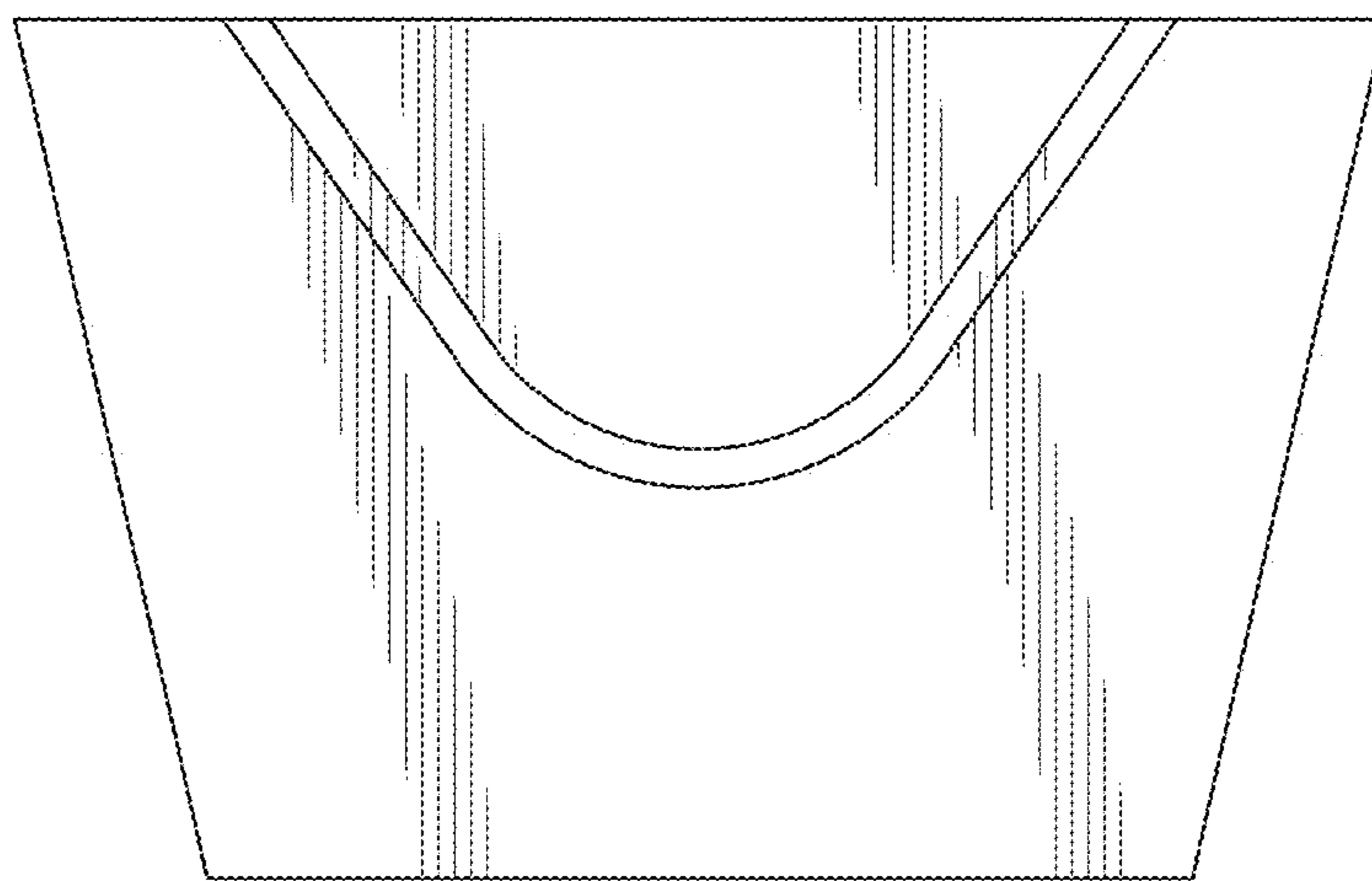


FIG. 3

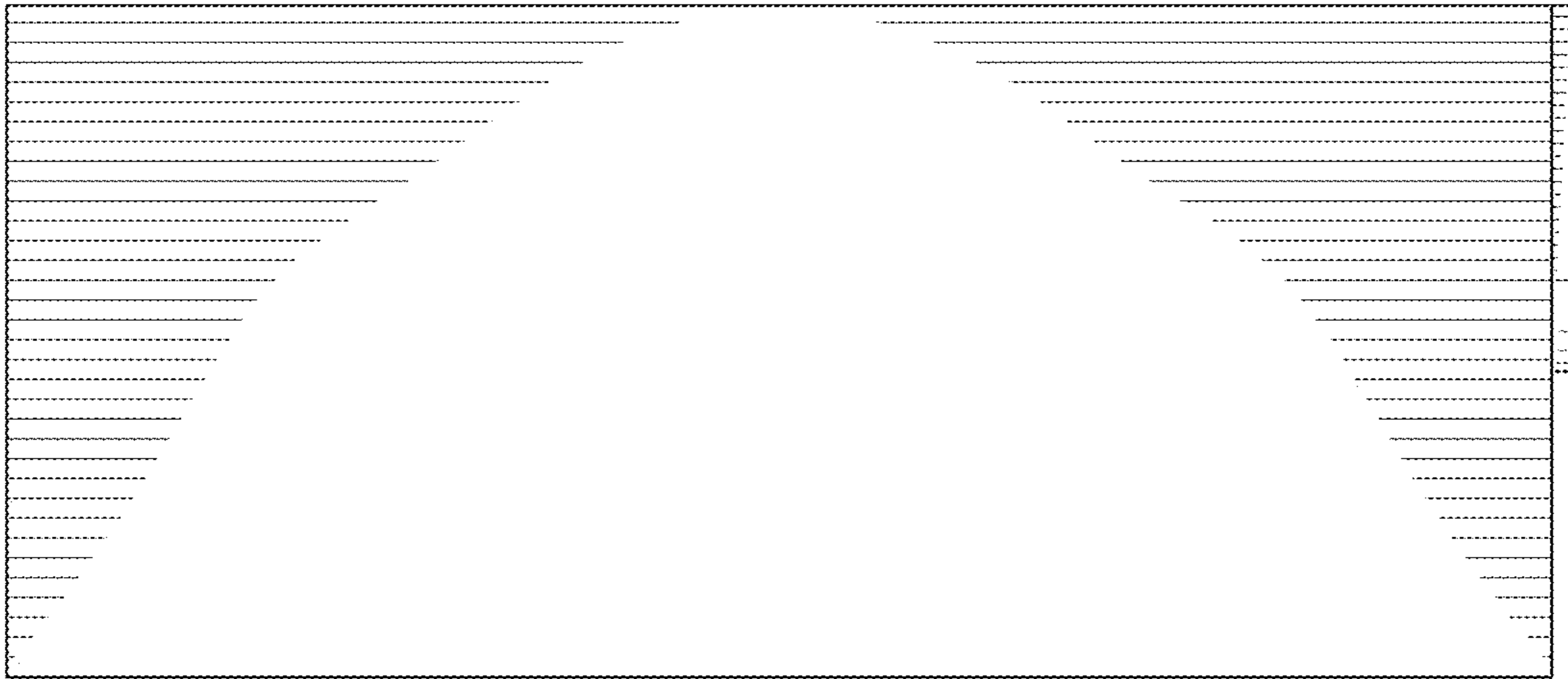


FIG. 4

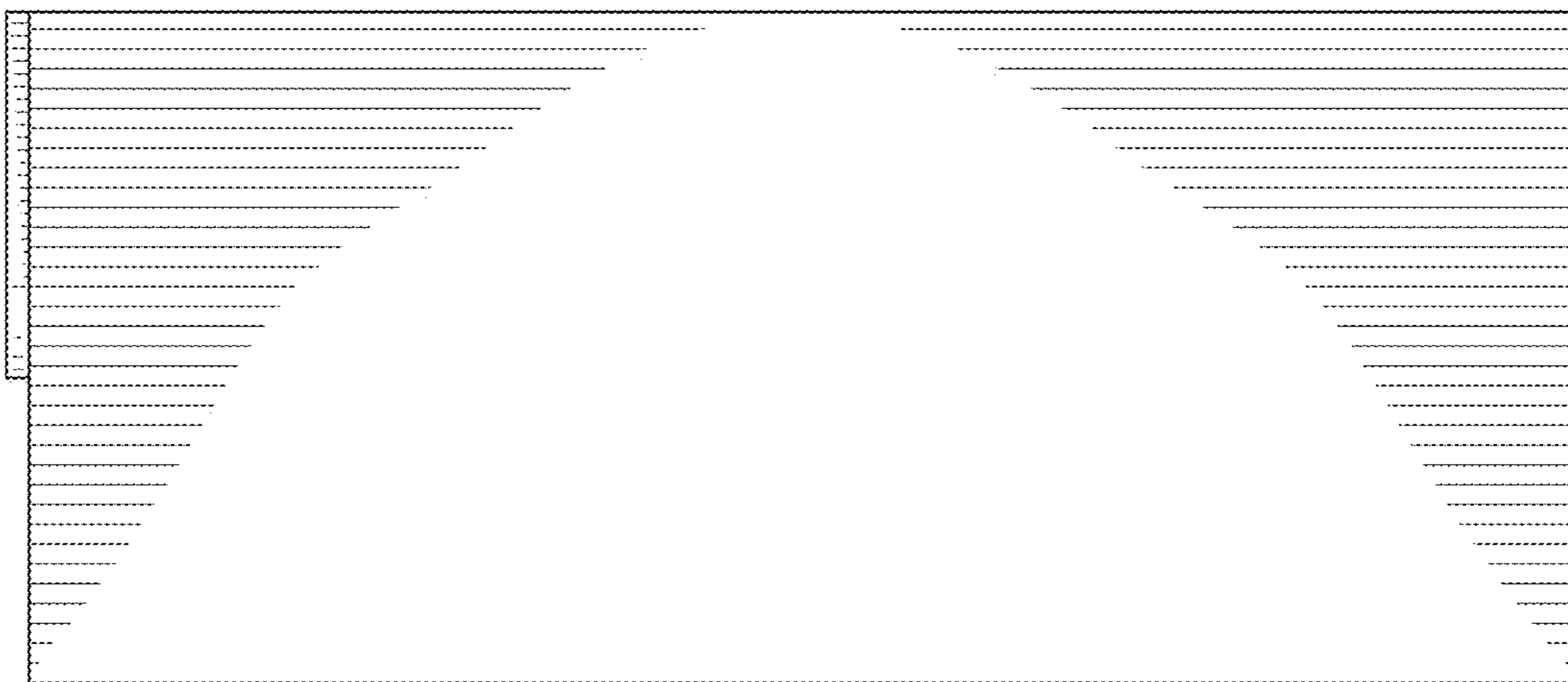


FIG. 5

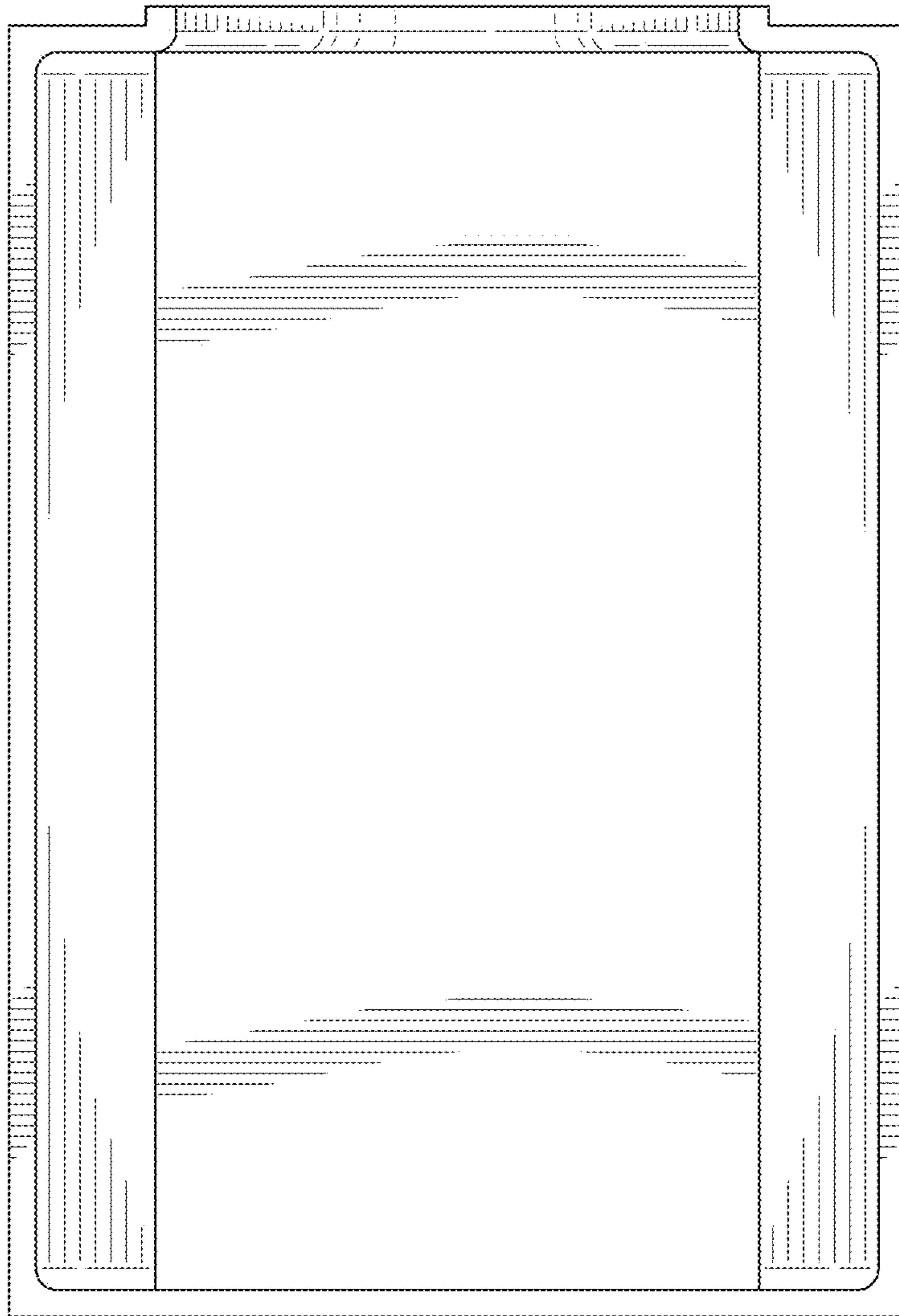
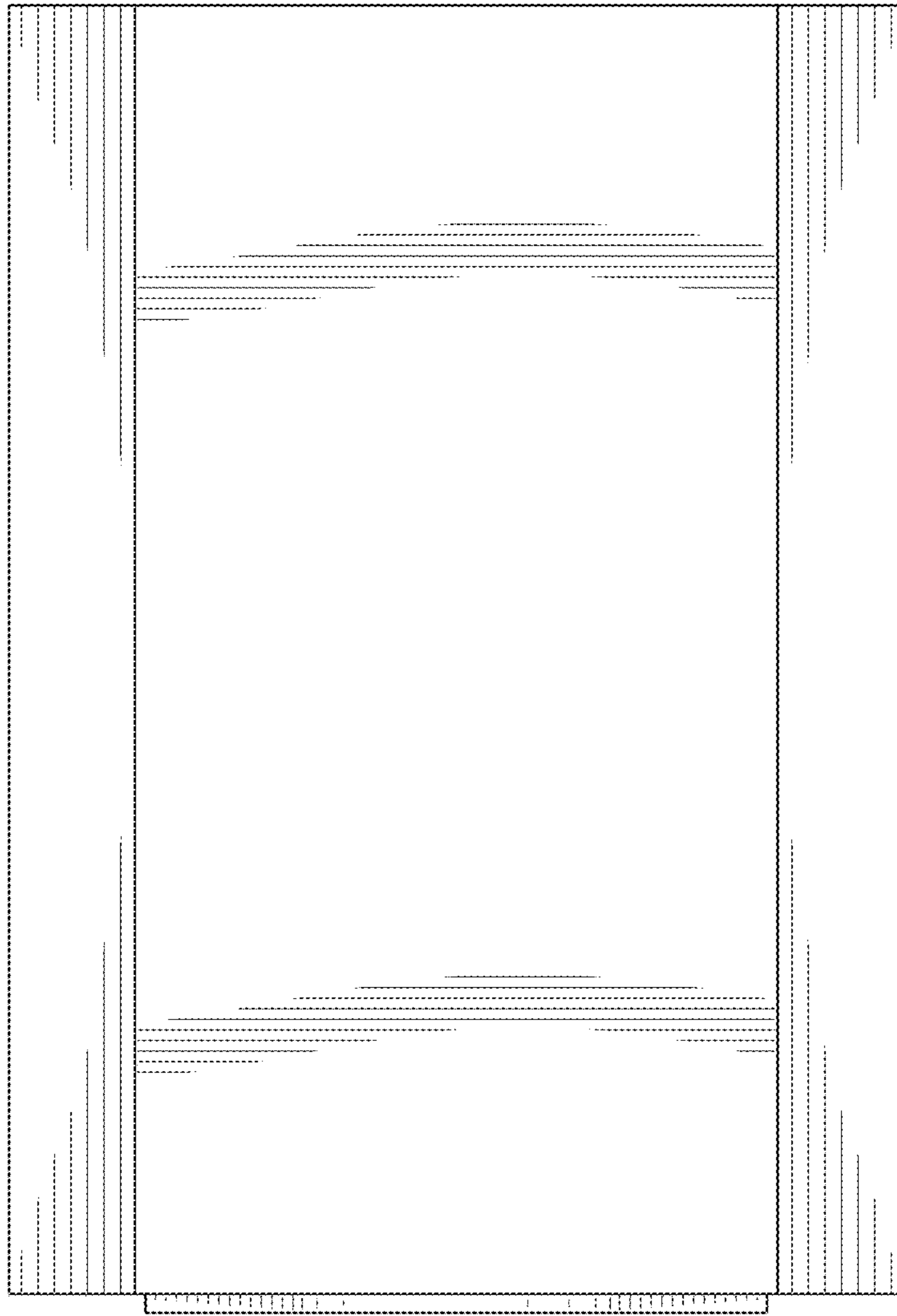


FIG. 6



*FIG. 7*

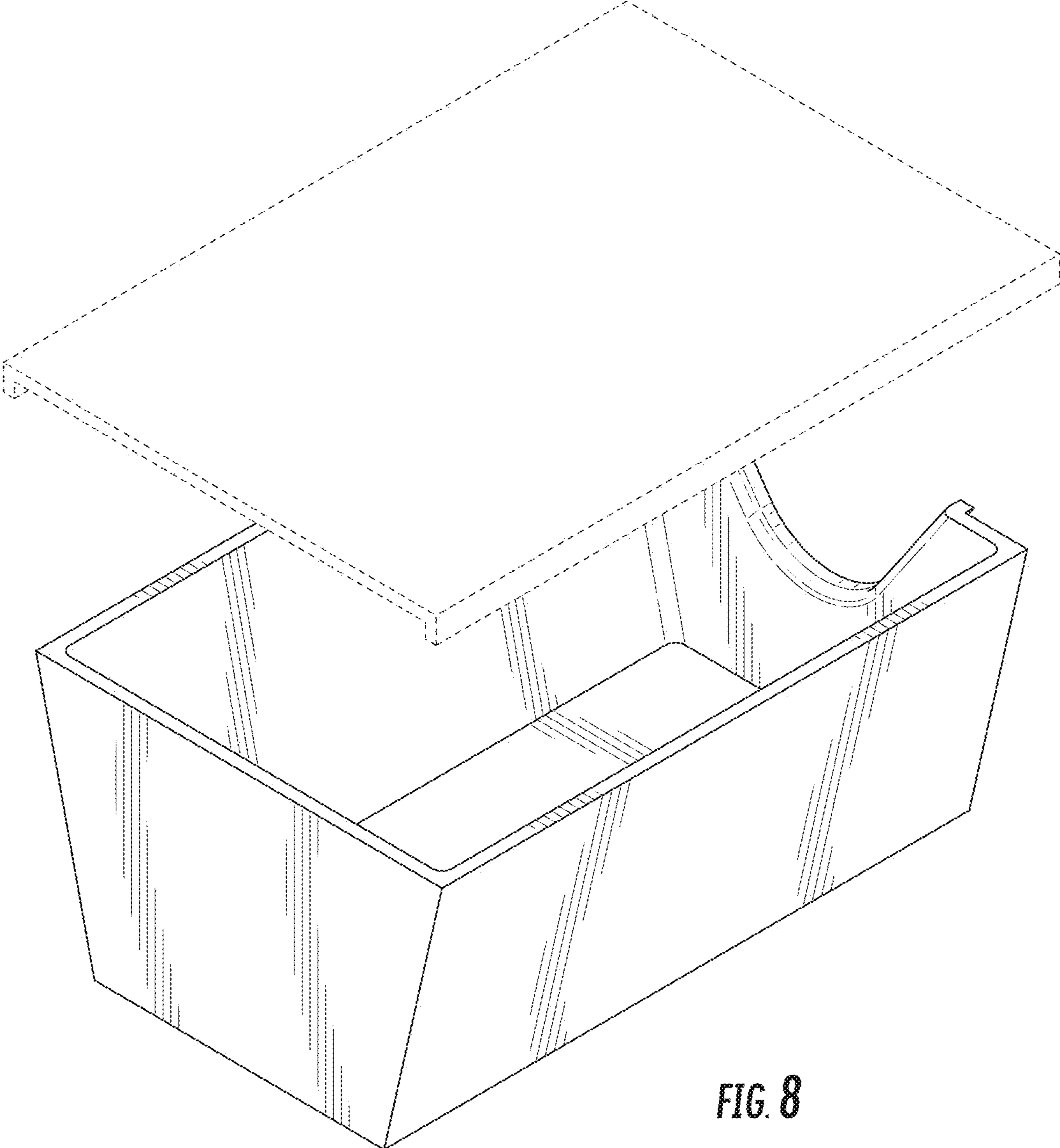


FIG. 8