



US00D989542S

(12) **United States Design Patent**  
**Zhang**

(10) **Patent No.:** **US D989,542 S**  
(45) **Date of Patent:** **\*\* Jun. 20, 2023**

- (54) **STEAM OVEN**
- (71) Applicant: **Ningbo Careline Electric Appliance Co., LTD.,** Ningbo (CN)
- (72) Inventor: **Yichi Zhang,** Ningbo (CN)
- (73) Assignee: **NINGBO CARELINE ELECTRIC APPLIANCE CO., LTD,** Ningbo (CN)
- (\*\*) Term: **15 Years**
- (21) Appl. No.: **29/775,405**
- (22) Filed: **Mar. 23, 2021**

D933,415 S \* 10/2021 Yang ..... D7/354  
 D948,274 S \* 4/2022 Finnance ..... D7/350.1  
 D954,488 S \* 6/2022 Li ..... D7/350.3  
 D959,189 S \* 8/2022 Han ..... D7/350.1  
 D961,322 S \* 8/2022 Li ..... D7/350.3  
 2022/0053972 A1\* 2/2022 Zhang ..... A47J 36/06

- (30) **Foreign Application Priority Data**
- Sep. 25, 2020 (CN) ..... 202030575370.4
- (51) **LOC (14) Cl.** ..... **07-02**
- (52) **U.S. Cl.**
- USPC ..... **D7/350.1**
- (58) **Field of Classification Search**
- USPC ..... D7/323, 332-339, 347-351, 387,  
D7/402-405; D21/523-525
- CPC ..... A47J 37/00; A47J 37/06; A47J 37/0623;  
A47J 37/0629; A47J 37/0635; A47J  
37/0641; A47J 37/0647; A47J 37/0652;  
A47J 37/0658; A47J 37/067; A47J 37/07;  
A47J 37/0704; A47J 37/0709; A47J  
37/0713; A47J 37/0763; A47J 37/0871  
See application file for complete search history.

- (56) **References Cited**
- U.S. PATENT DOCUMENTS**
- D305,596 S \* 1/1990 Nishibori ..... D7/351
- D305,856 S \* 2/1990 Iwahashi ..... A47J 36/06  
D7/351
- D567,571 S \* 4/2008 Hillmann ..... D7/347
- D875,460 S \* 2/2020 Chen ..... D7/354
- D909,806 S \* 2/2021 Hu ..... D7/350.1

**OTHER PUBLICATIONS**

NU-SC100 Cubie Oven, Panasonic, [online], [site visited Sep. 29, 2022], Available from internet URL: <https://www.panasonic.com/sg/support/product-archives/product-archives-consumer/kitchen-appliance/microwave-oven/cubie-steam-oven/nu-sc100.html> (Year: 2022).\*

\* cited by examiner

*Primary Examiner* — Mary Ann Calabrese  
*Assistant Examiner* — Natalya M Rapundalo  
(74) *Attorney, Agent, or Firm* — Dinsmore & Shohl LLP

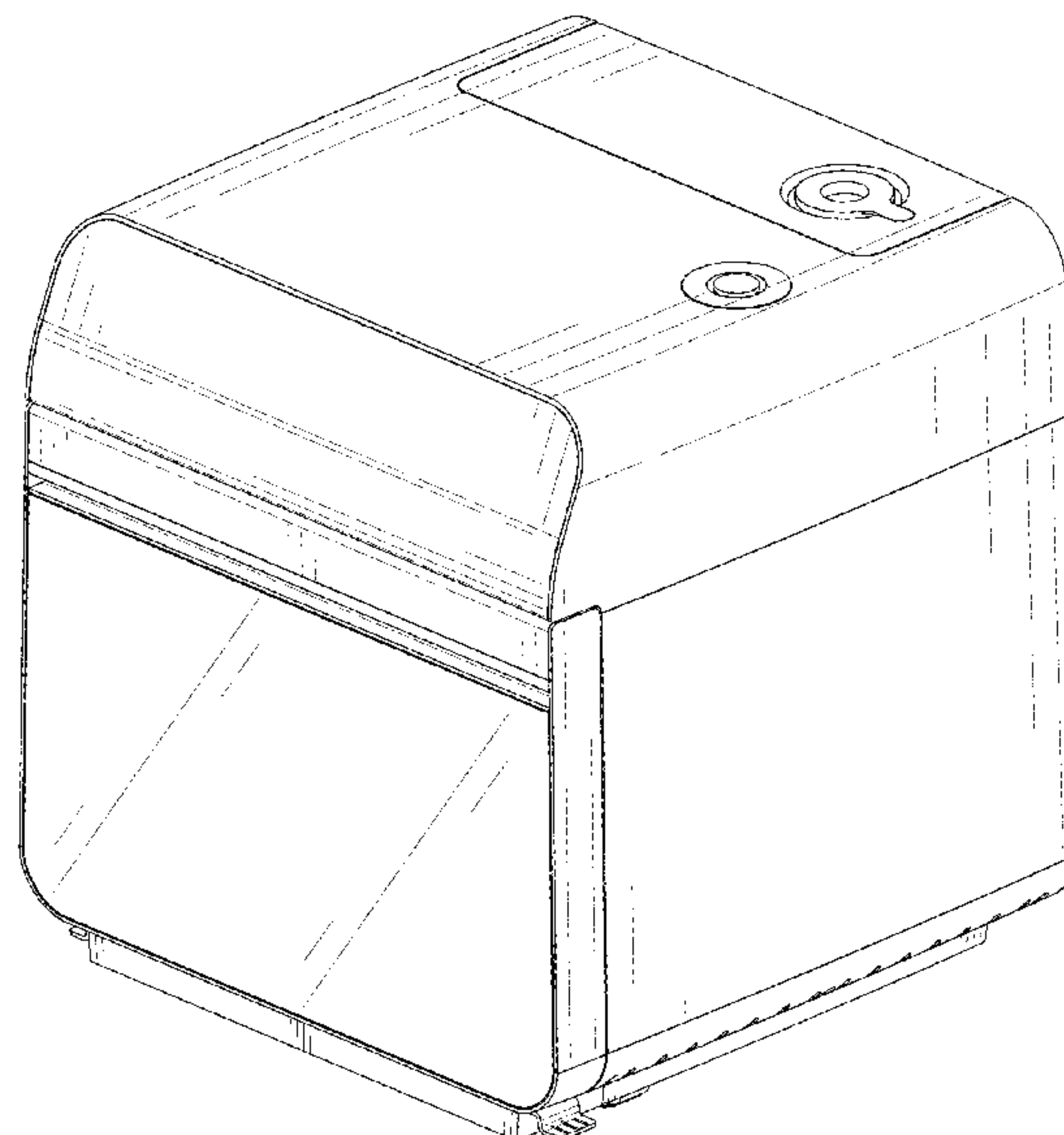
(57) **CLAIM**

I claim the ornamental design for a steam oven, as shown and described.

**DESCRIPTION**

FIG. 1 is a front, right and top side perspective view of a steam oven showing my new design;  
FIG. 2 is a rear, left and bottom side perspective view thereof;  
FIG. 3 is a front elevation view thereof;  
FIG. 4 is a rear elevation view thereof;  
FIG. 5 is a left side elevation view thereof;  
FIG. 6 is a right side elevation view thereof;  
FIG. 7 is a top plan view thereof;  
FIG. 8 is a bottom plan view thereof; and,  
FIG. 9 is an enlarged view of portion 9 encircled in FIG. 2. The broken lines shown in the drawings represent portions of the steam oven that form no part of the claimed design.

**1 Claim, 9 Drawing Sheets**



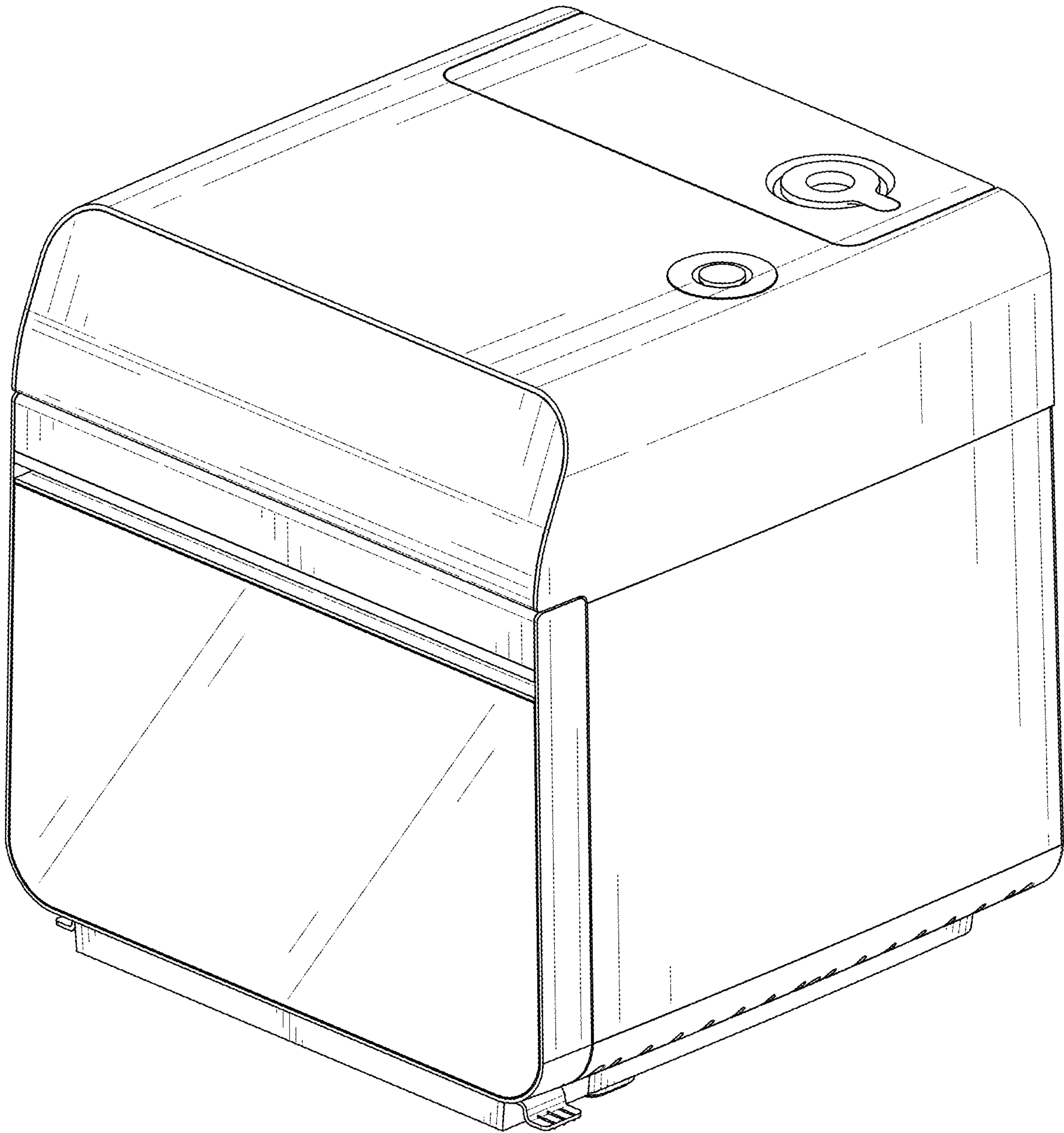


FIG. 1

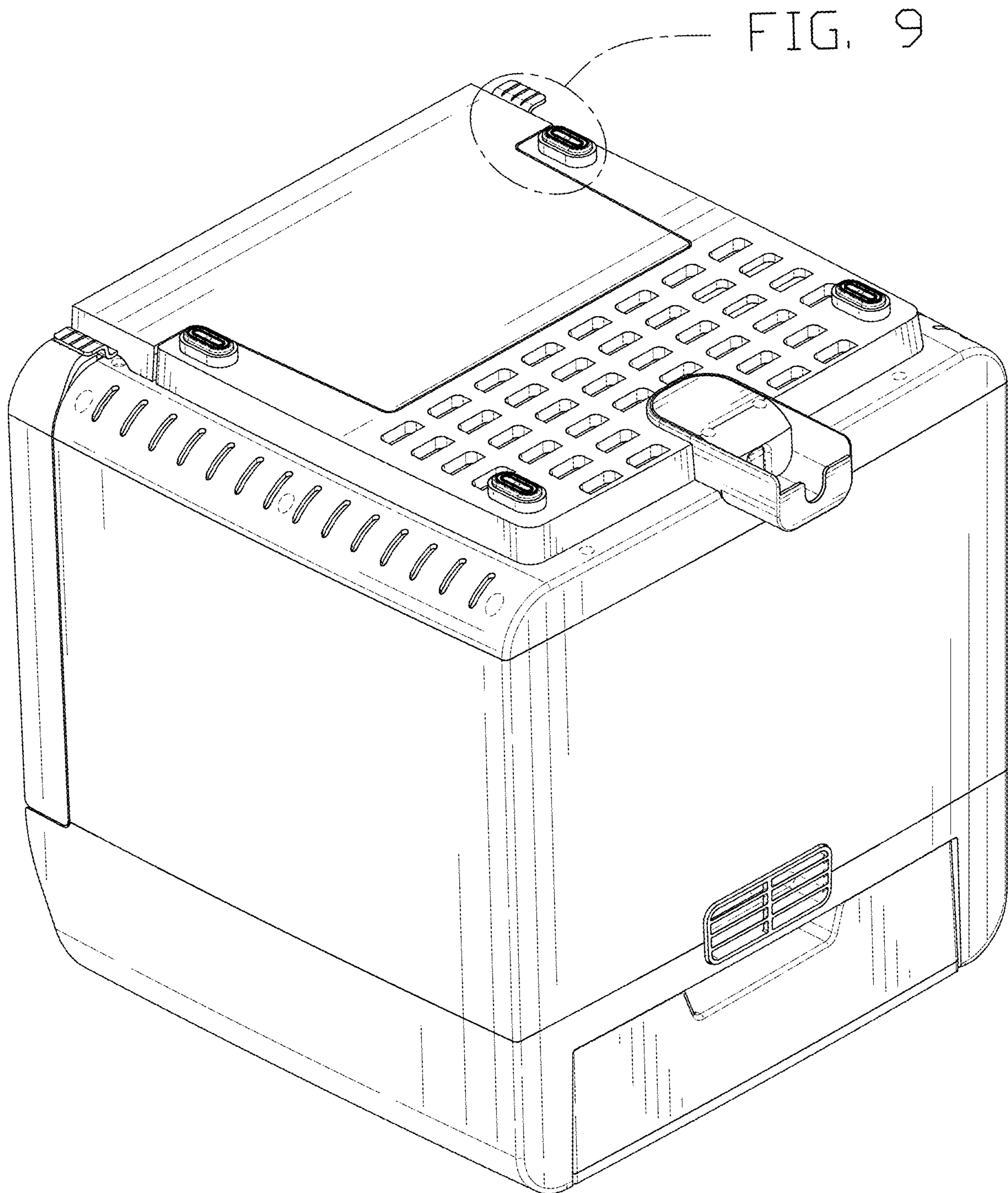


FIG. 2





FIG. 3



FIG. 4

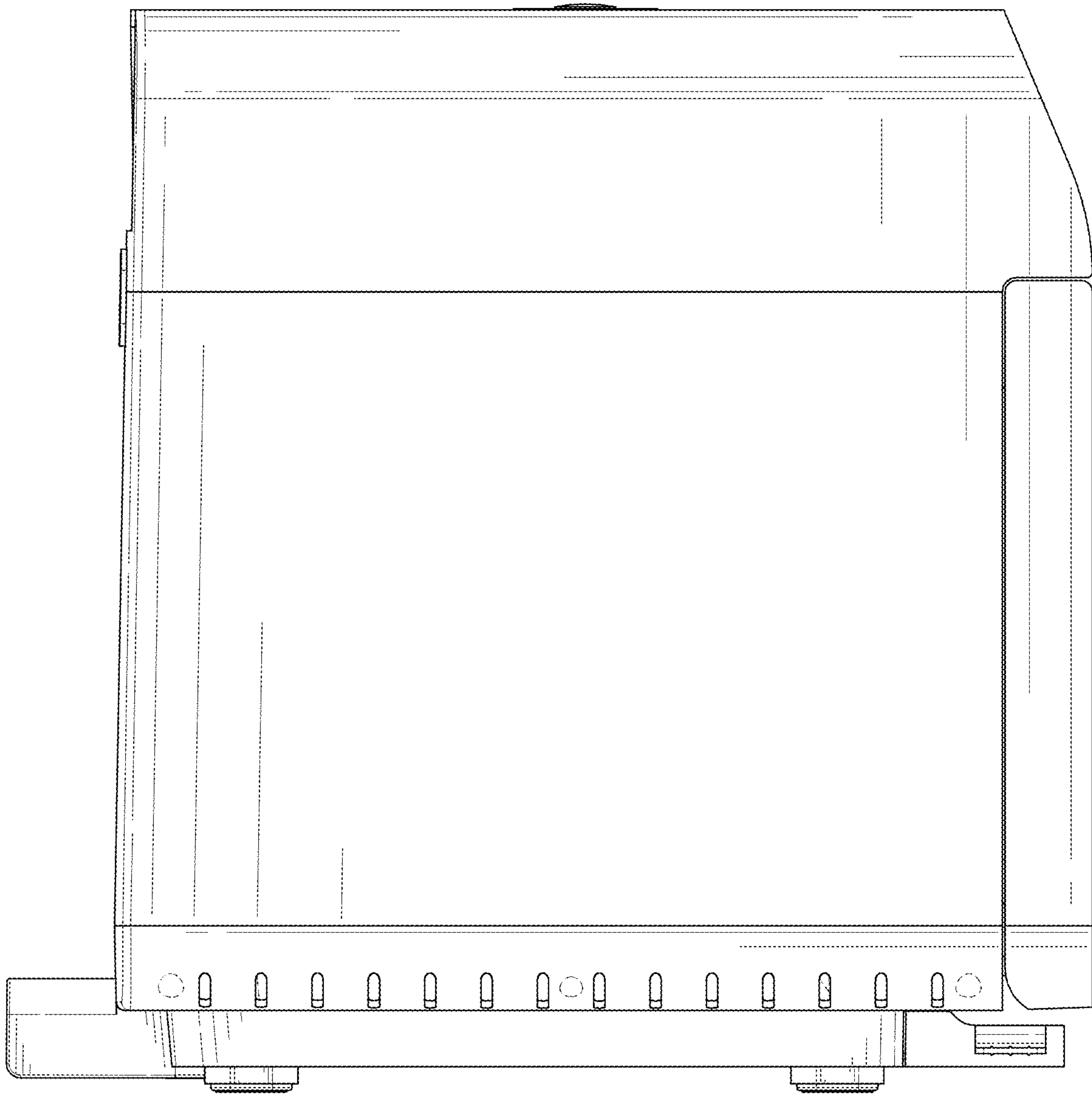


FIG. 5

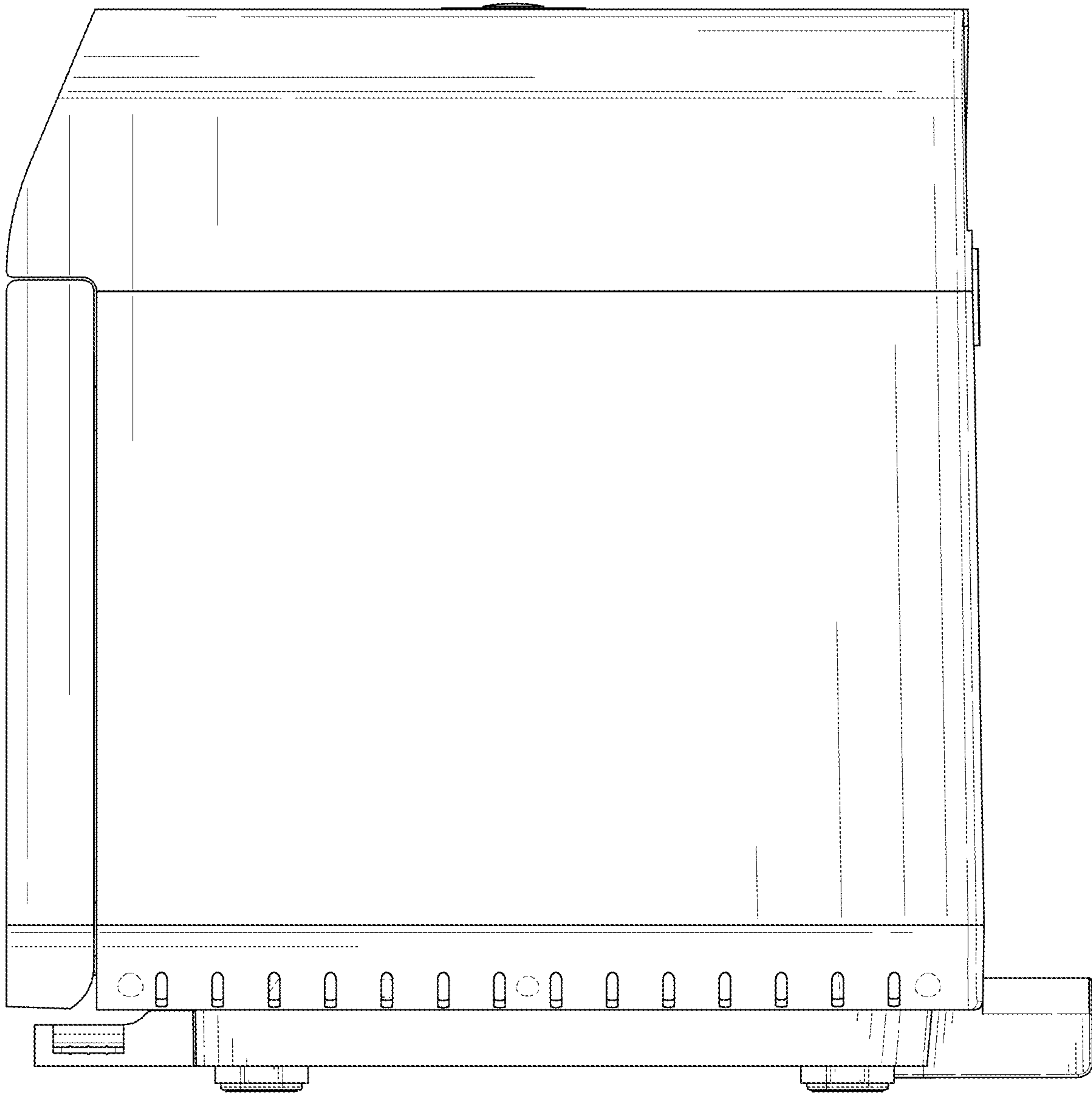


FIG. 6

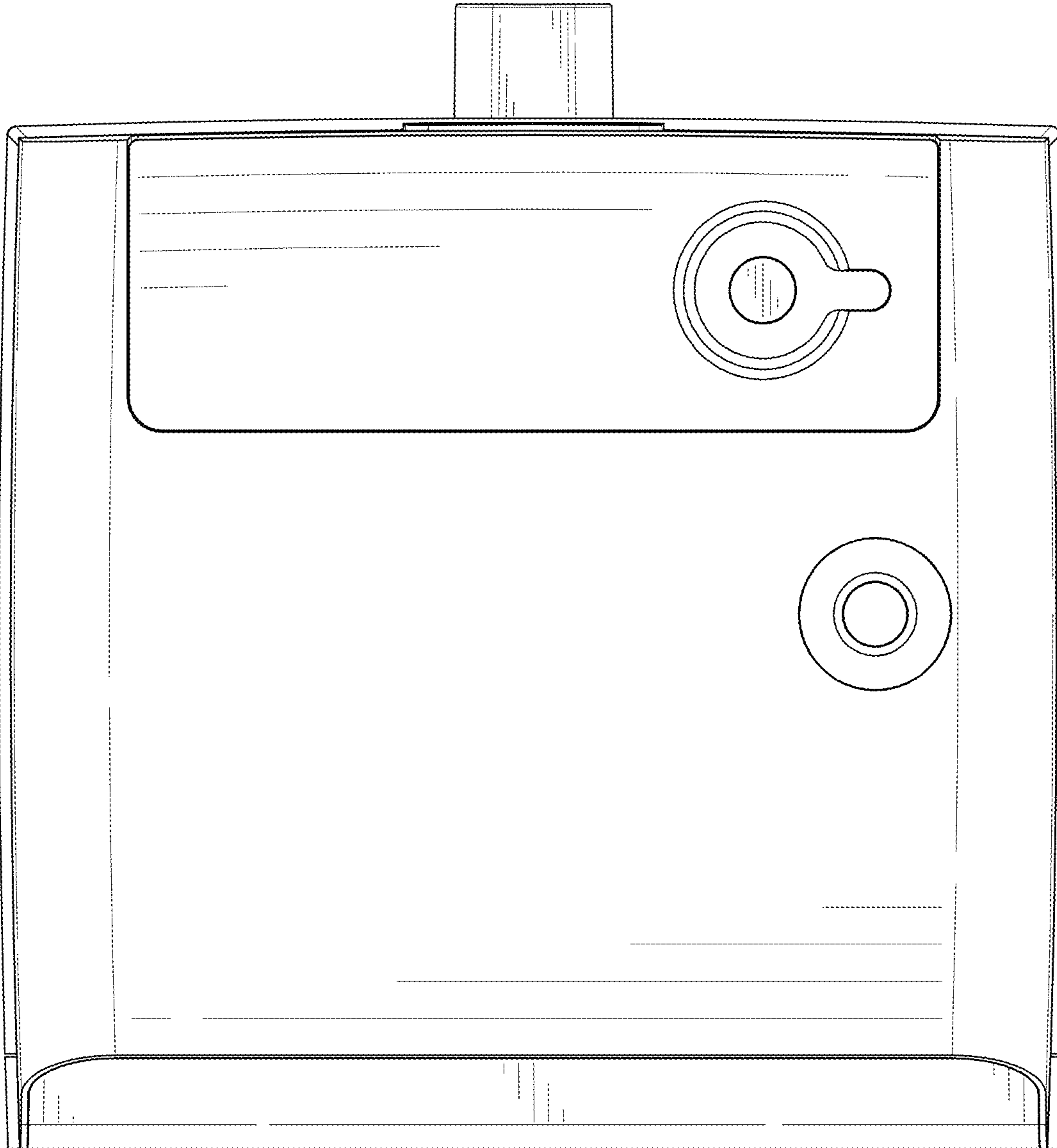


FIG. 7



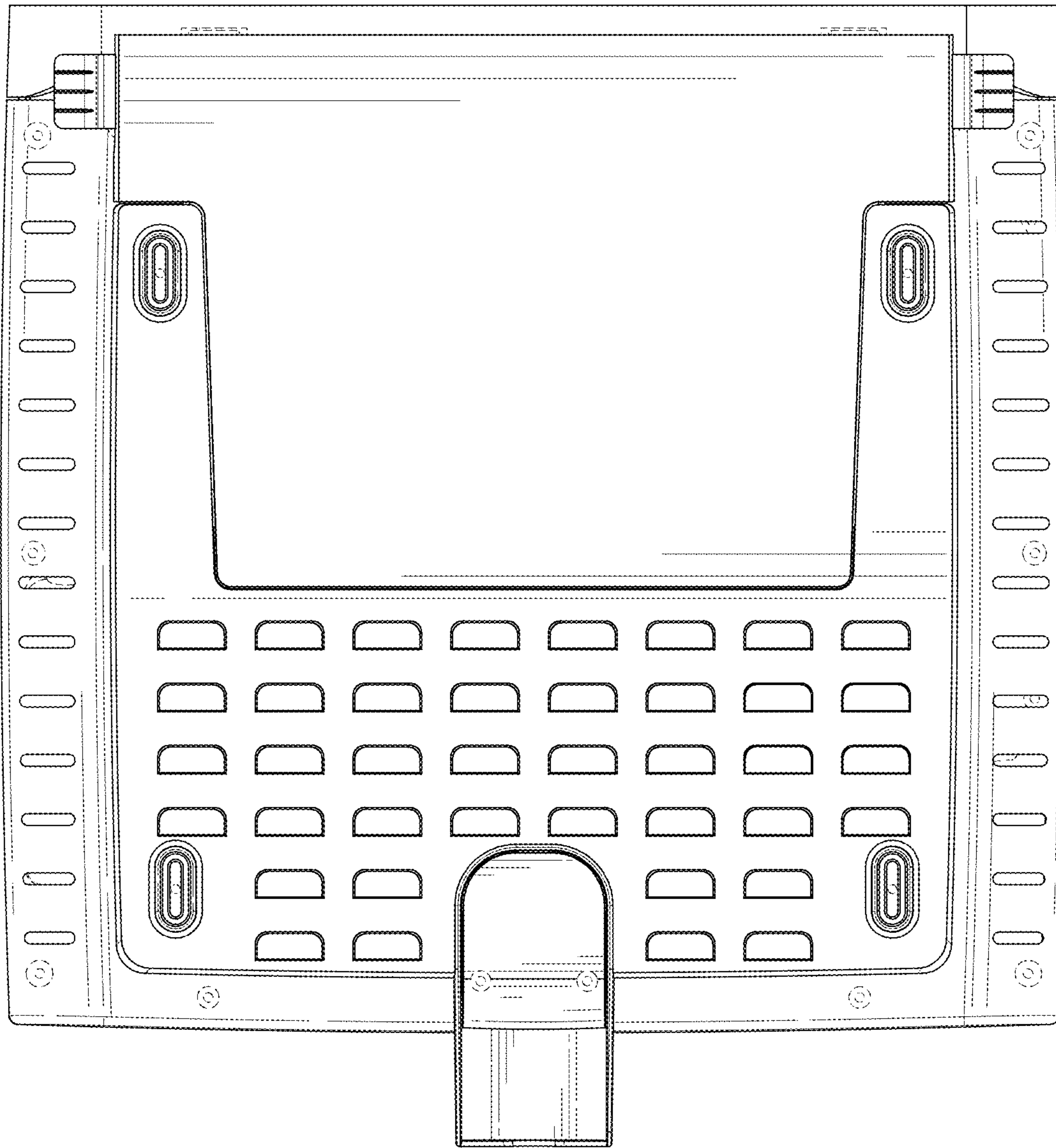


FIG. 8

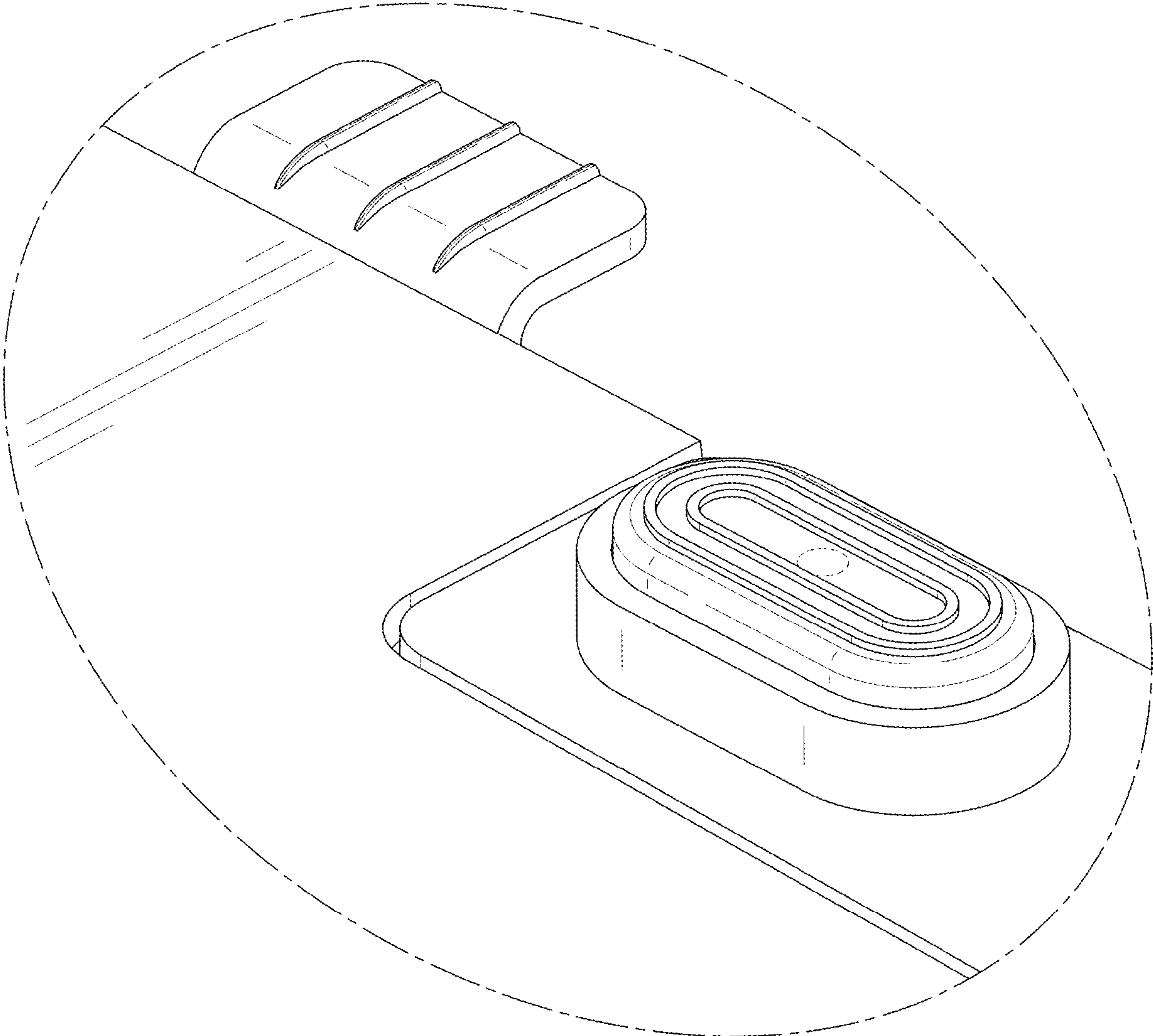


FIG. 9