



US00D989541S

(12) **United States Design Patent** (10) **Patent No.:** **US D989,541 S**  
**Olson** (45) **Date of Patent:** **\*\* Jun. 20, 2023**

(54) **BBQ PIT**

(71) Applicant: **Ronnie Olson**, Springfield, MO (US)

(72) Inventor: **Ronnie Olson**, Springfield, MO (US)

(\*\*) Term: **15 Years**

(21) Appl. No.: **29/778,043**

(22) Filed: **Apr. 9, 2021**

(51) **LOC (14) Cl.** ..... **07-02**

(52) **U.S. Cl.**

USPC ..... **D7/334**

(58) **Field of Classification Search**

USPC ..... D7/323, 328, 331-341, 346-349,  
D7/350.1-350.4, 351-368, 388, 389, 391,  
D7/393-396, 396.1, 400, 402-412, 450,  
D7/504, 601, 611, 624, 625, 690, 692,  
D7/732, 330; D30/120; D21/312, 362,  
D21/523, 524, 525, 301-309, 387,  
D21/476-489, 699; D22/113

CPC ..... A47J 27/002; A47J 27/04; A47J 27/043;  
A47J 27/10; A47J 27/12; A47J 29/00;  
A47J 29/02; A47J 29/06; A47J 36/00;  
A47J 36/20; A47J 36/22; A47J 36/24;  
A47J 36/2405; A47J 36/2483; A47J  
36/26; A47J 37/00; A47J 37/015; A47J  
37/04; A47J 37/041; A47J 37/042; A47J  
37/043; A47J 37/06; A47J 37/061; A47J  
37/0623; A47J 37/0629; A47J 37/0647;  
A47J 37/067; A47J 37/0676; A47J  
37/0682; A47J 37/0688; A47J 37/0694;  
A47J 37/07; A47J 37/0704; A47J  
37/0718; A47J 37/0763; A47J 37/105;  
A47J 37/108; A47J 37/1204; A47J  
2037/0795; F24C 3/002; F24C 3/004;  
F24C 3/082; F24C 3/085; F24C 7/04;  
F24C 11/00; F24C 15/16; F24C 15/166;  
F24C 15/18

See application file for complete search history.

(56) **References Cited**

U.S. PATENT DOCUMENTS

D259,386	S	*	6/1981	Mulder	.....	D7/334
D493,328	S	*	7/2004	Wood	.....	D7/332
D550,022	S	*	9/2007	Amajuwon	.....	D7/332
D598,698	S	*	8/2009	Lee	.....	D7/332
D777,516	S	*	1/2017	Hunsaker		
D795,632	S	*	8/2017	Klingbeil	.....	D7/332
D885,112	S	*	5/2020	Young	.....	D7/332

(Continued)

FOREIGN PATENT DOCUMENTS

CN	306860548	*	10/2021
CN	307553628	*	9/2022
GB	6003420	*	11/2006

OTHER PUBLICATIONS

Gateway Drum Smokers, date of oldest review Sep. 1, 2017 [online]. [retrieved Nov. 9, 2022]. Retrieved from internet, <https://www.bbqguys.com/gateway-drum-smokers/55-gallon-charcoal-bbq-smoker-black-55111> (Year: 2017).\*

(Continued)

*Primary Examiner* — Nicole C Shiflet

*Assistant Examiner* — Yen Le Southwood

(74) *Attorney, Agent, or Firm* — Hulsey P.C.

(57) **CLAIM**

The ornamental design for a BBQ pit, as shown and described.

**DESCRIPTION**

FIG. 1 is an isometric view of a BBQ pit showing my new design;

FIG. 2 is a front elevational view of FIG. 1;

FIG. 3 is a rear elevational view of FIG. 1;

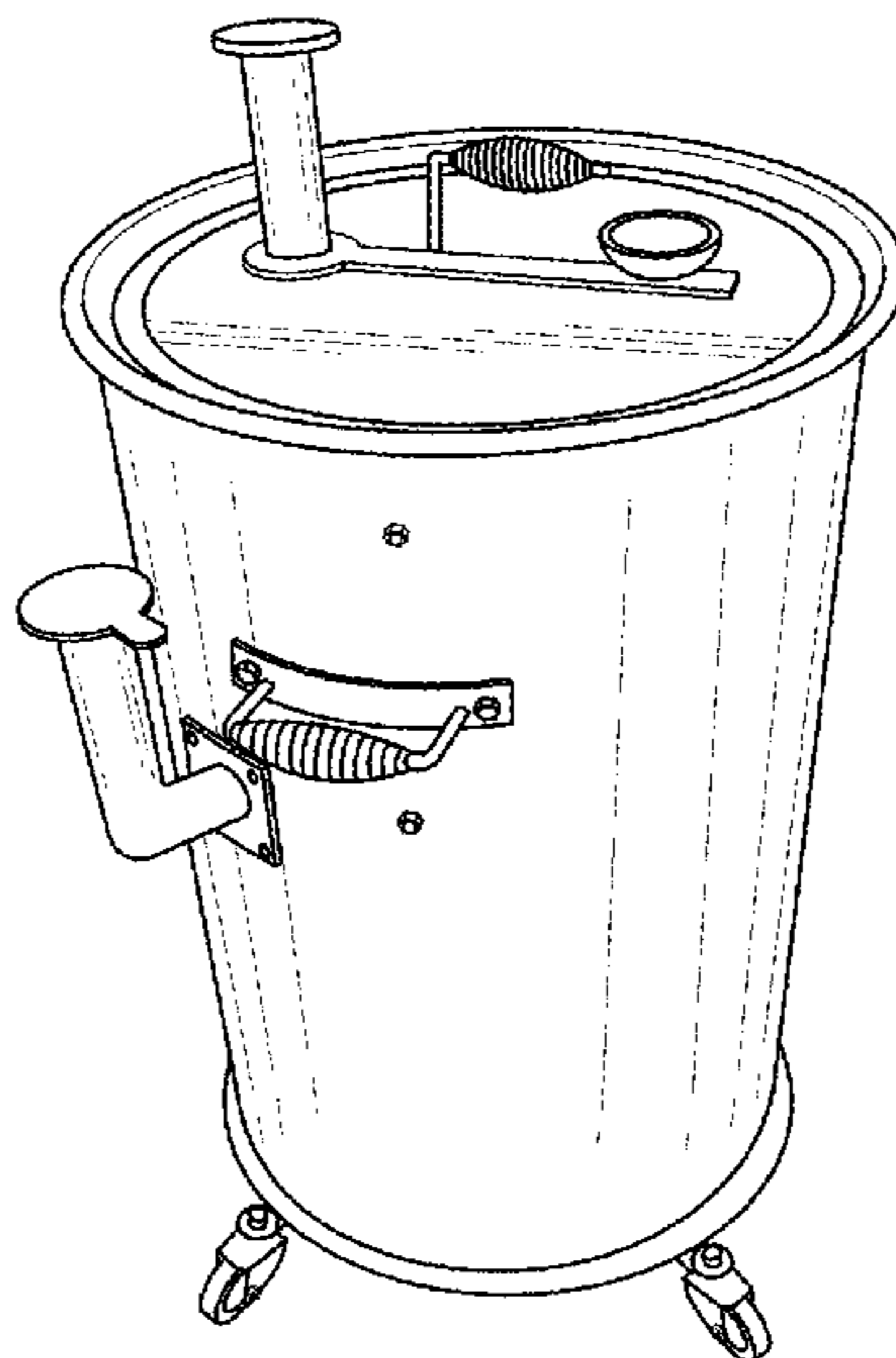
FIG. 4 is a left elevational view of FIG. 1;

FIG. 5 is a right side elevational view of FIG. 1;

FIG. 6 is a top plan view of FIG. 1; and,

FIG. 7 is a bottom plan view of FIG. 1.

**1 Claim, 4 Drawing Sheets**



(56)

**References Cited**

U.S. PATENT DOCUMENTS

D889,196 S \* 7/2020 Elmore ..... D7/393  
D930,421 S \* 9/2021 Caya ..... D7/354  
2018/0098662 A1\* 4/2018 Klassen ..... A47J 37/0647

OTHER PUBLICATIONS

Vortex Smoker, posted date unknown [online], [retrieved Nov. 9, 2022]. Retrieved from internet, <https://www.topgrillsmidwest.com/hunsaker-smoker-red>.\*

The Reaper Premium BBQ Smoker, posted date unknown [online], [retrieved Nov. 9, 2022]. Retrieved from internet, <https://cottonginismokers.com/collections/smokers/products/option-1>.\*

\* cited by examiner

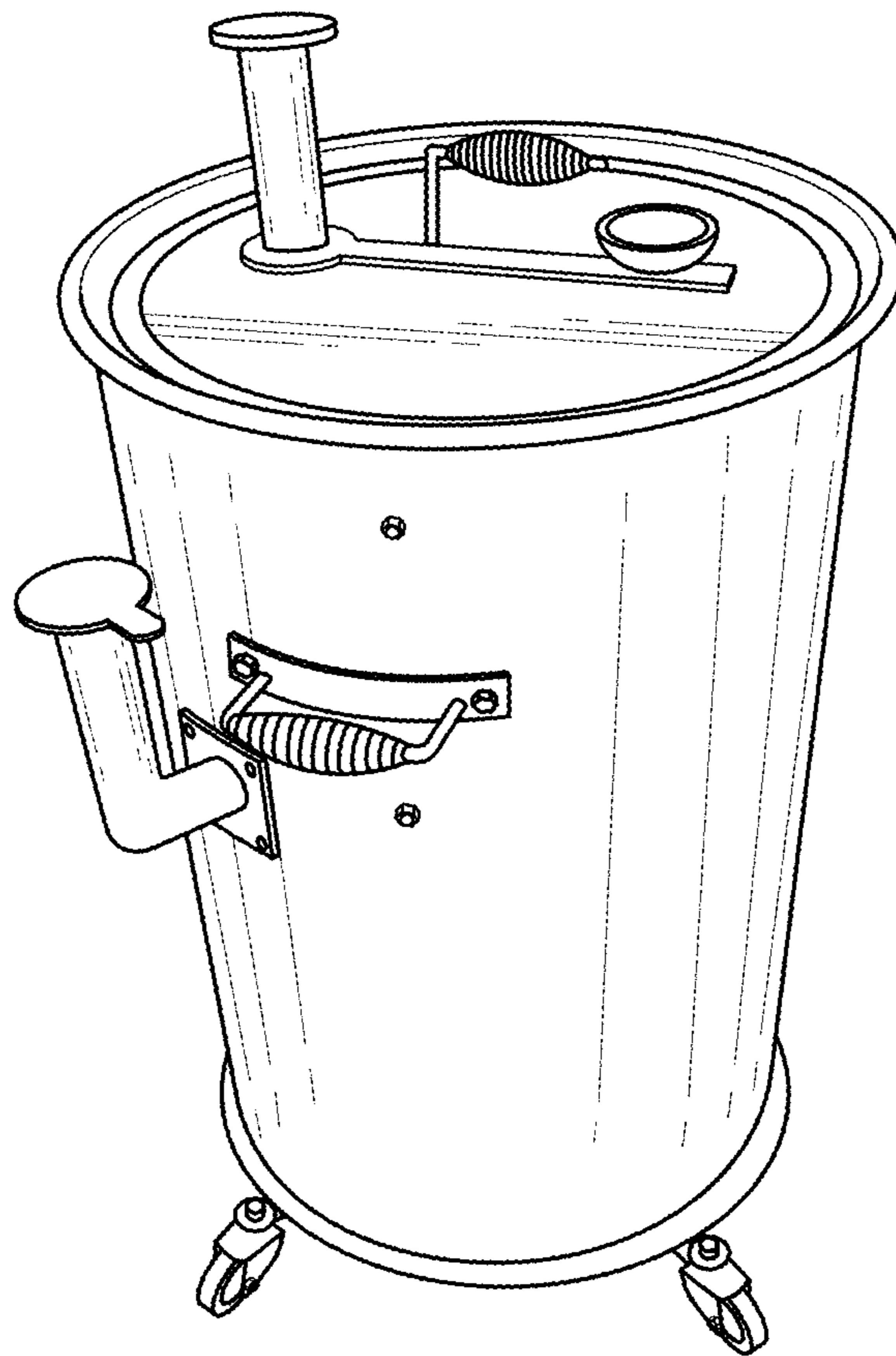


FIG. 1

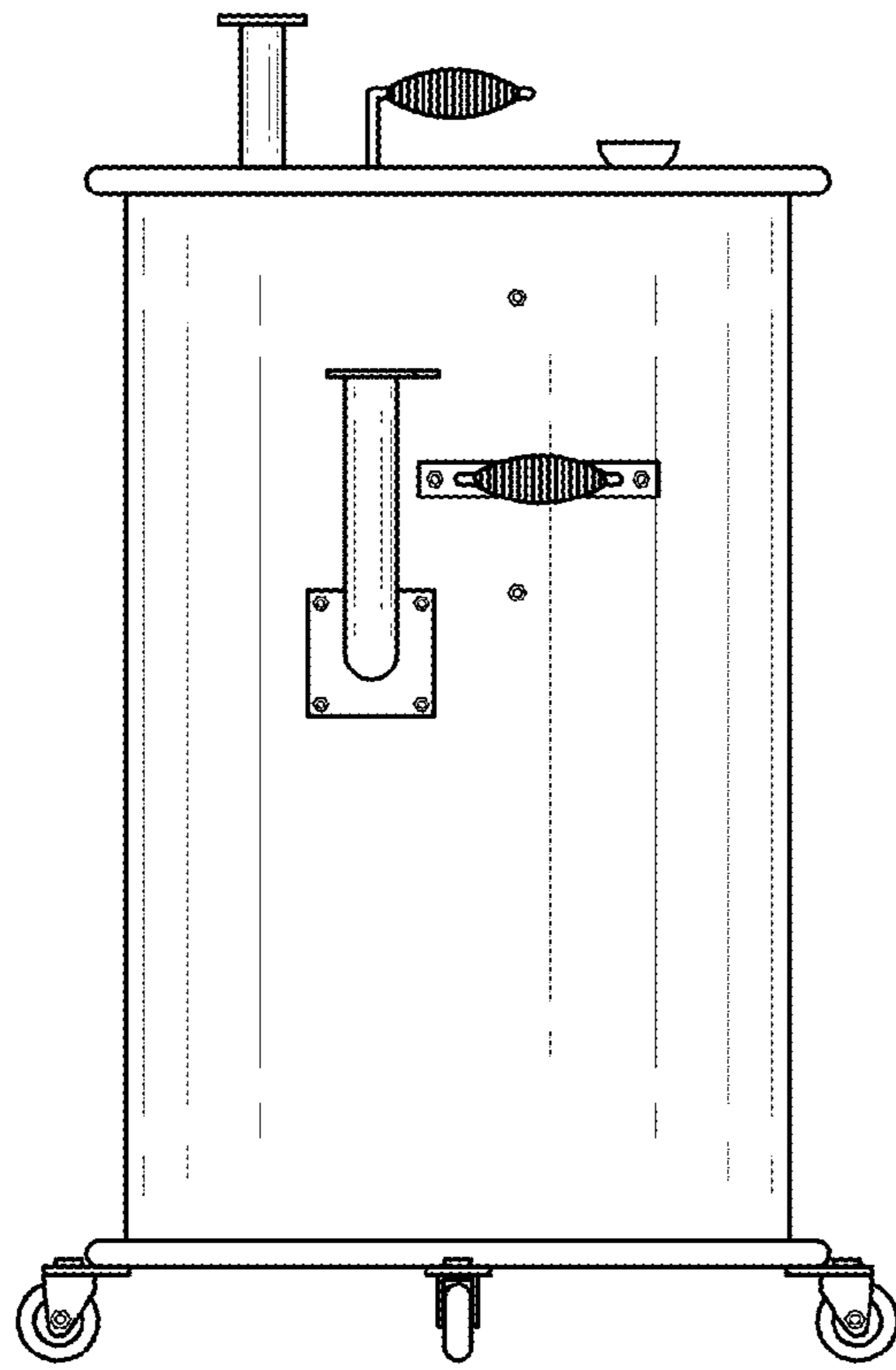


FIG. 2

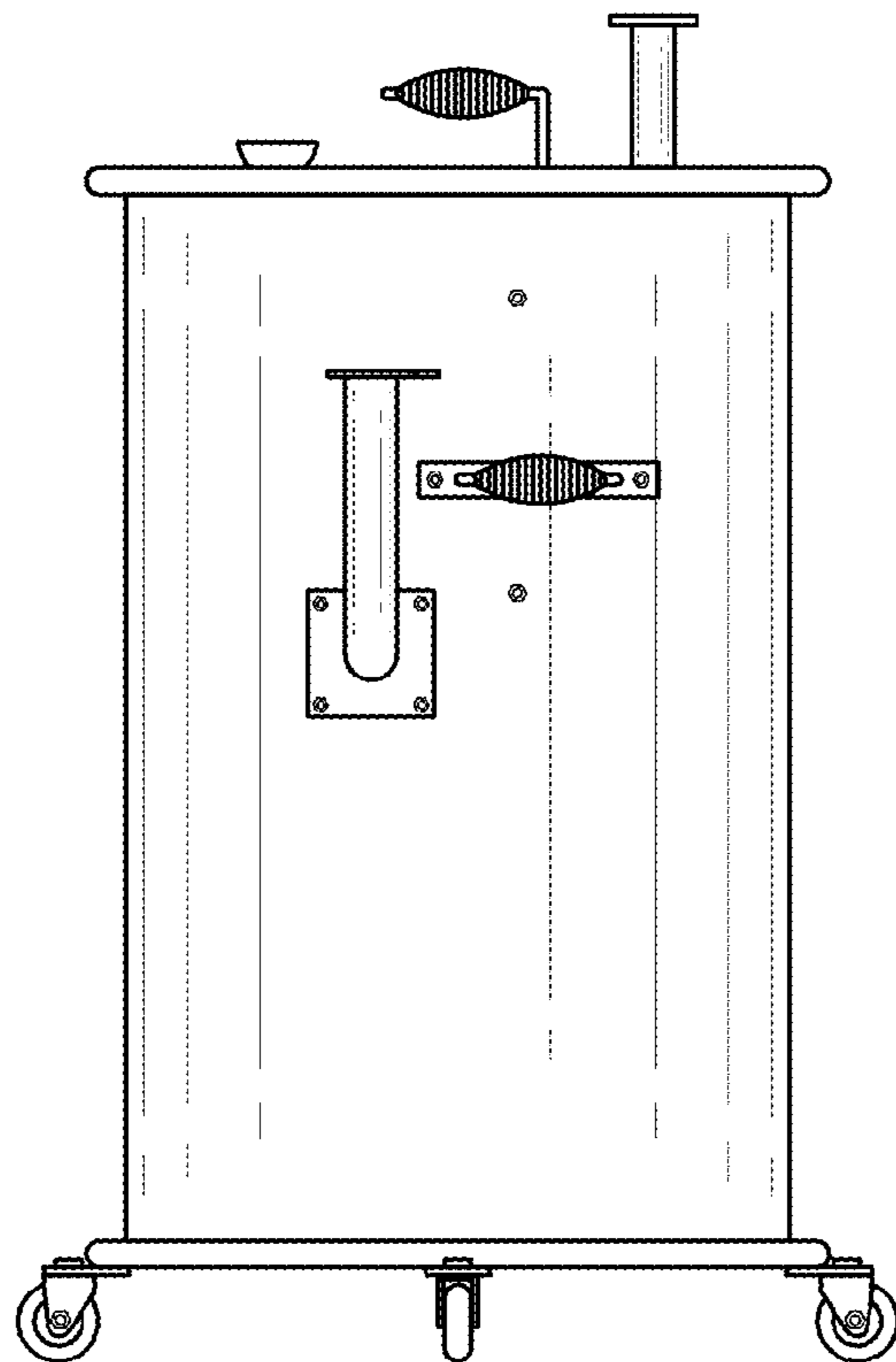


FIG. 3

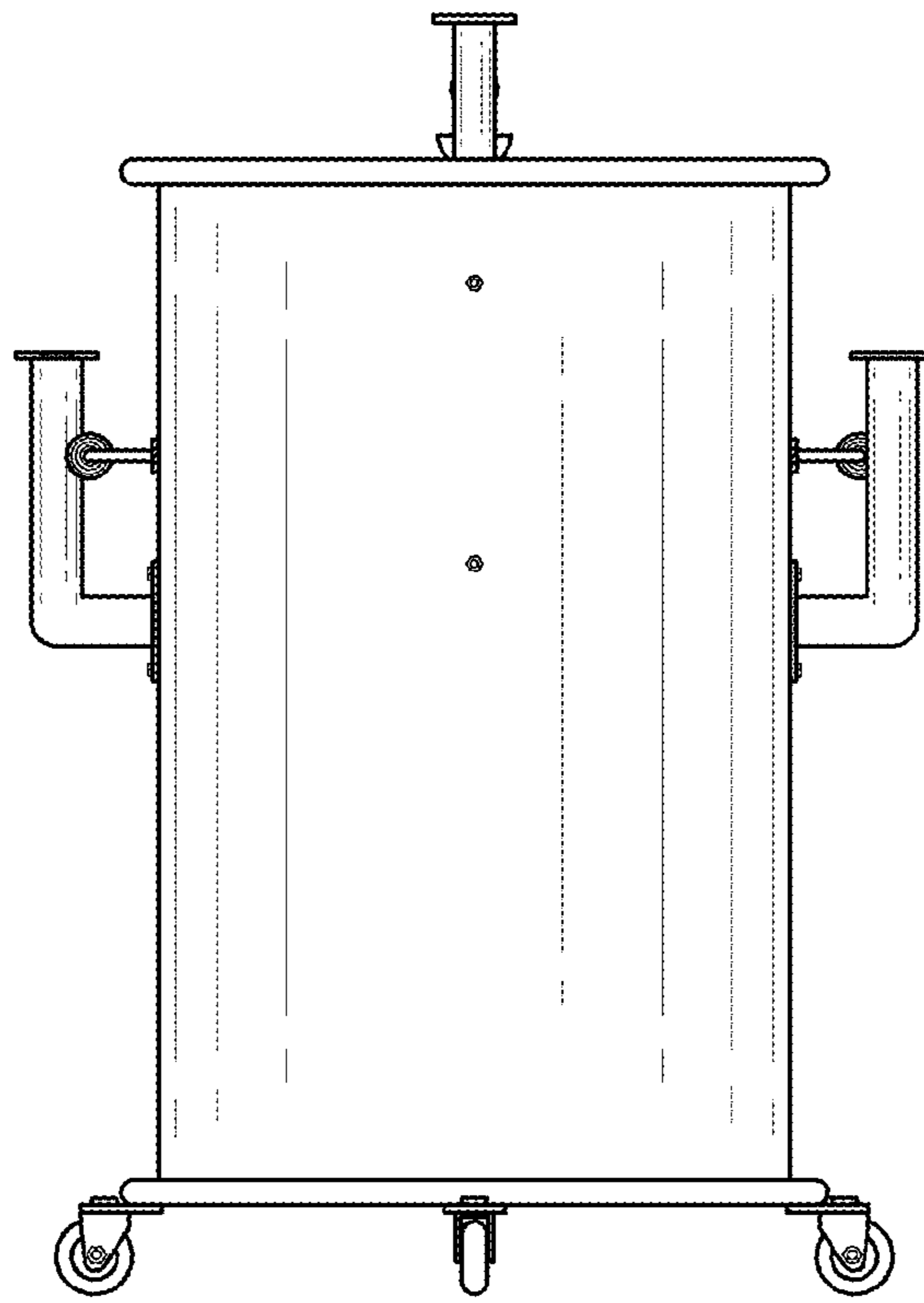


FIG. 4

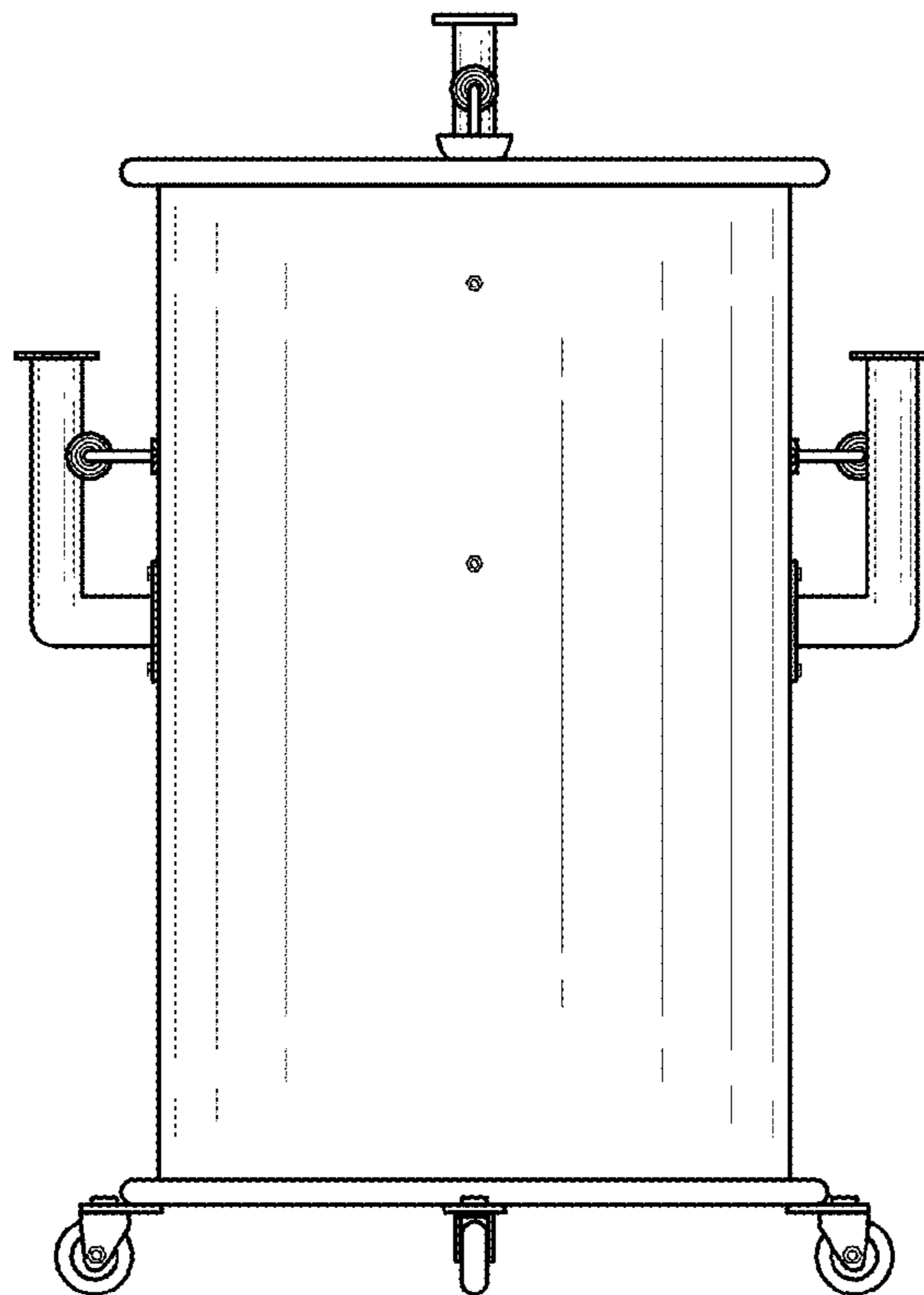


FIG. 5

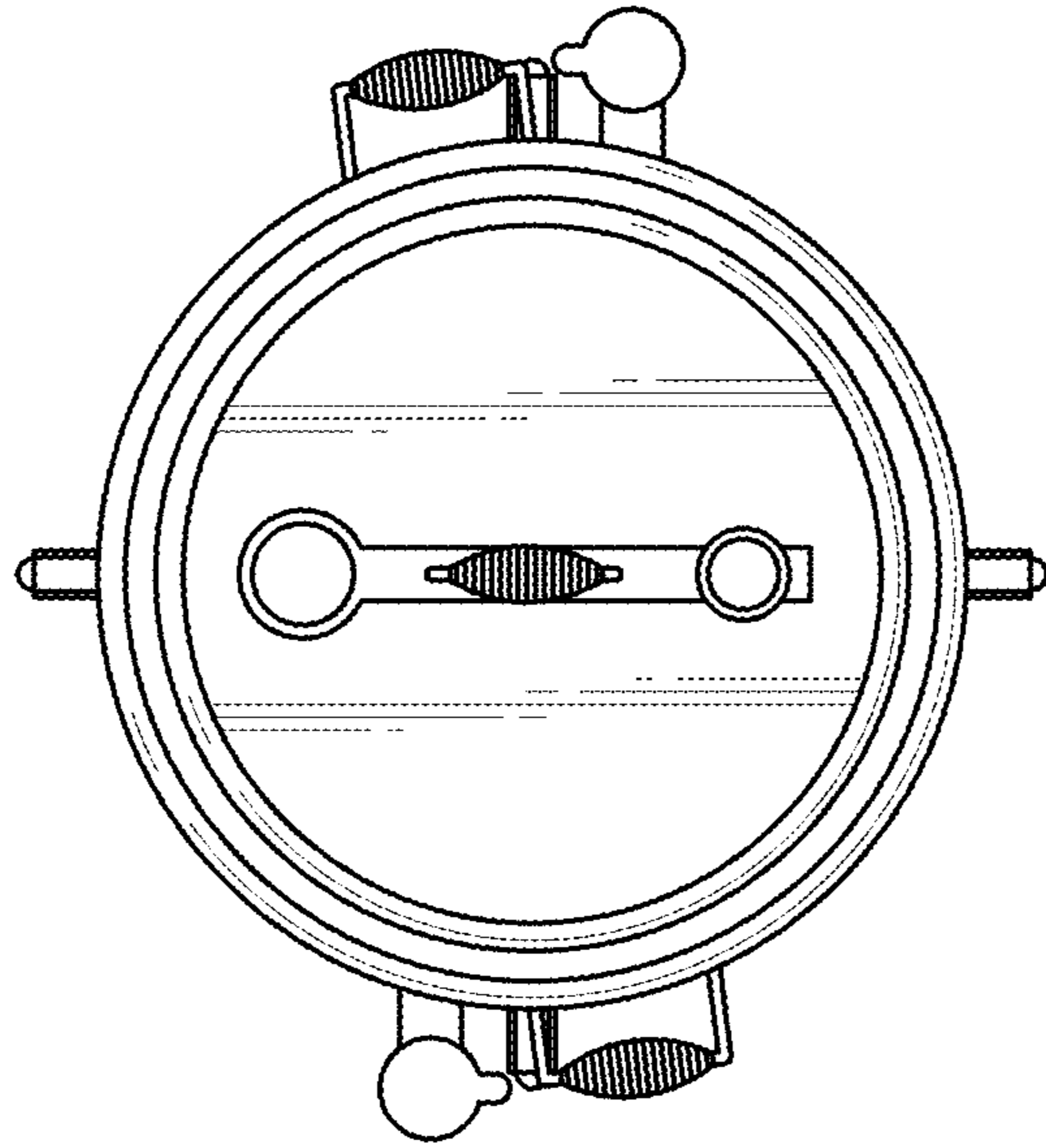


FIG. 6

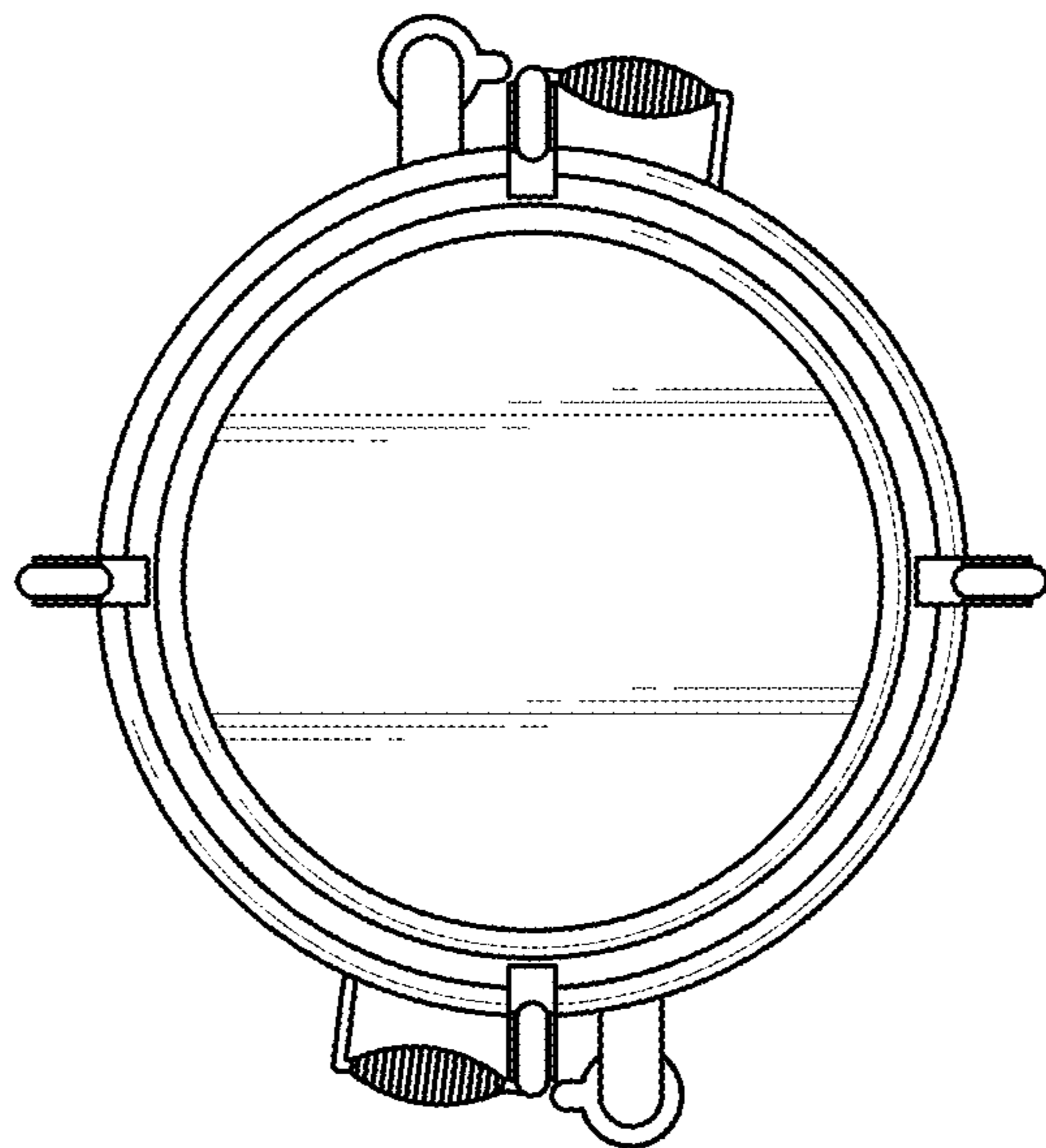


FIG. 7