



US00D989540S

(12) **United States Design Patent**
Hendron et al.

(10) **Patent No.:** **US D989,540 S**
(45) **Date of Patent:** **** Jun. 20, 2023**

(54) **APPARATUS FOR PREPARING BEVERAGES**

(71) Applicant: **DIAGEO IRELAND**, Dublin (IE)

(72) Inventors: **Stephen Hendron**, Swansea (GB);
Stephen Kilcullen, Leixlip (IE); **James Ryan**, Dublin (IE); **Christopher Murphy**, Summerhill (IE)

(73) Assignee: **DIAGEO IRELAND**, Dublin (IE)

(**) Term: **15 Years**

(21) Appl. No.: **29/765,150**

(22) Filed: **Jan. 6, 2021**

(51) **LOC (14) Cl.** **07-01**

(52) **U.S. Cl.**
USPC **D7/313**

(58) **Field of Classification Search**
USPC D7/300, 305, 306, 307, 308, 309, 310,
D7/311, 312, 313, 320, 397, 398;
D15/132
CPC A47J 31/46; A47J 31/407; A47J 31/50;
A47J 31/3628; A47J 31/4407; A47J
31/445; A47J 31/36; A47J 43/044
See application file for complete search history.

(56) **References Cited**

U.S. PATENT DOCUMENTS

D284,970 S * 8/1986 Wolff D15/132
5,232,129 A * 8/1993 Guerra B67D 1/06
D7/397

D694,055 S * 11/2013 Hirst D7/313
D793,791 S * 8/2017 McDonald D7/313
D812,972 S * 3/2018 Braunschweig D7/397
D828,064 S * 9/2018 McDonald D7/311
D833,195 S * 11/2018 McDonald D7/313
D834,869 S * 12/2018 Ljungh D7/311
2017/0325622 A1 * 11/2017 Rossetto A23F 5/26
2020/0060463 A1 * 2/2020 Gardiner A47J 31/32
2020/0260903 A1 * 8/2020 Widmer A47J 31/4407
2022/0071441 A1 * 3/2022 Patil A47J 31/461

* cited by examiner

Primary Examiner — Andrew Kerr

(74) *Attorney, Agent, or Firm* — Dechert LLP; Glenn A. Gundersen; Robert W. Ashbrook

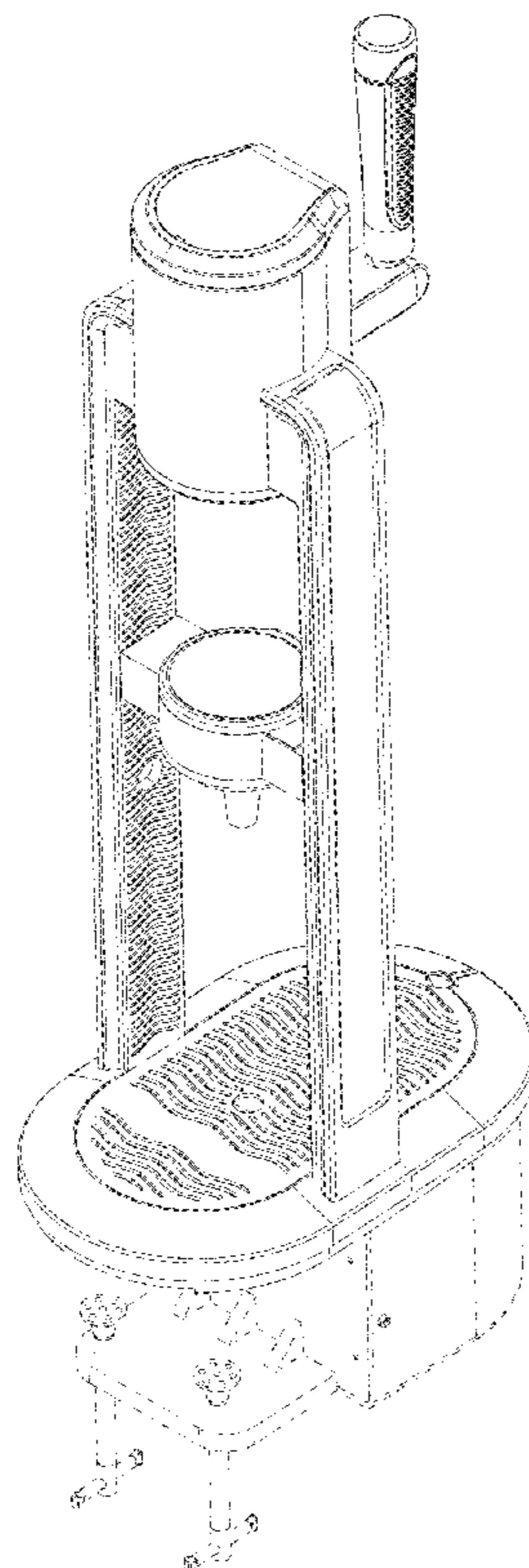
(57) **CLAIM**

The ornamental design for an apparatus for preparing beverages, as shown and described.

DESCRIPTION

FIG. 1 is an isometric view of an apparatus for preparing beverages, showing our new design; FIG. 2. is a front view thereof; FIG. 3 is a rear view thereof; FIG. 4 is a left view thereof; FIG. 5 is a right view thereof; and, FIG. 6 is a top view thereof. The broken lines in the drawings depict portions of the apparatus for preparing beverages that form no part of the claimed design.

1 Claim, 6 Drawing Sheets



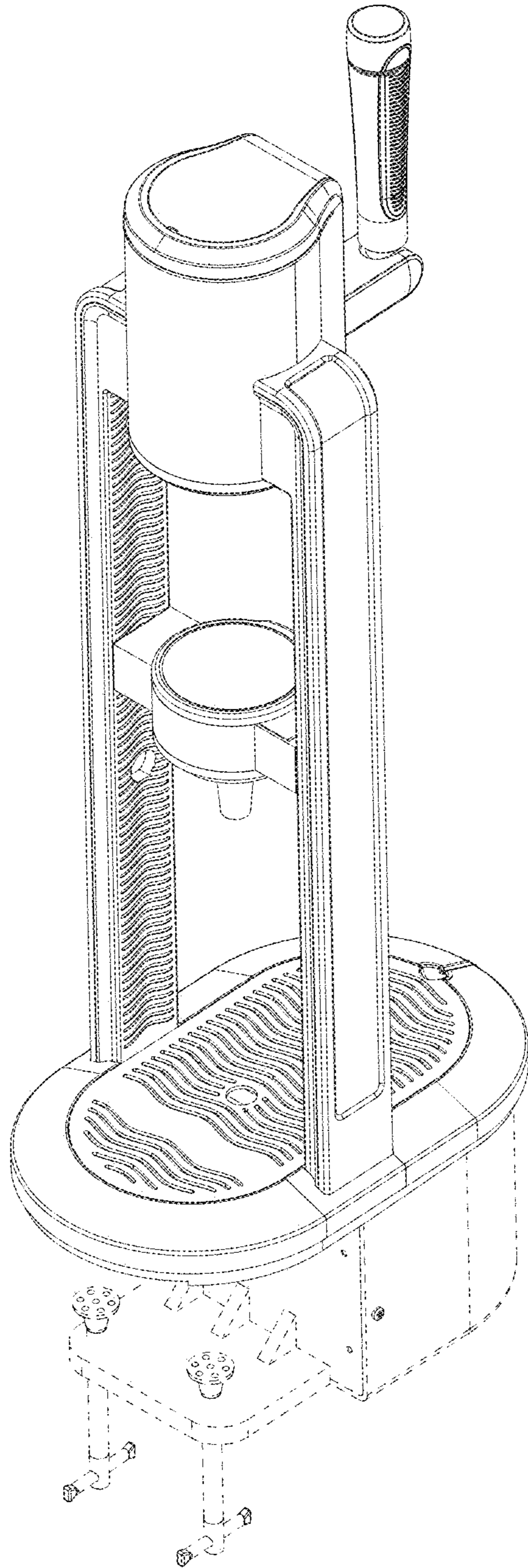


FIG. 1

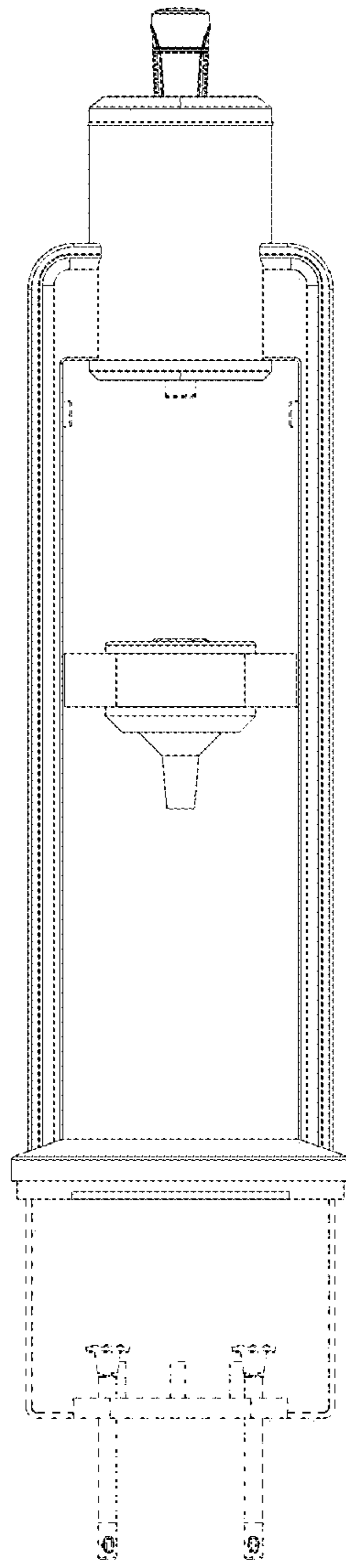


FIG. 2

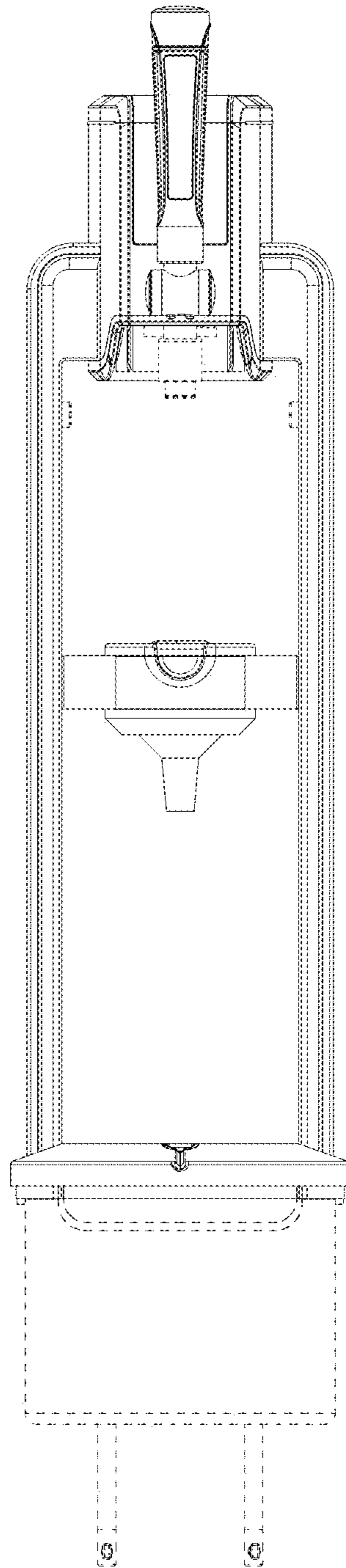


FIG. 3

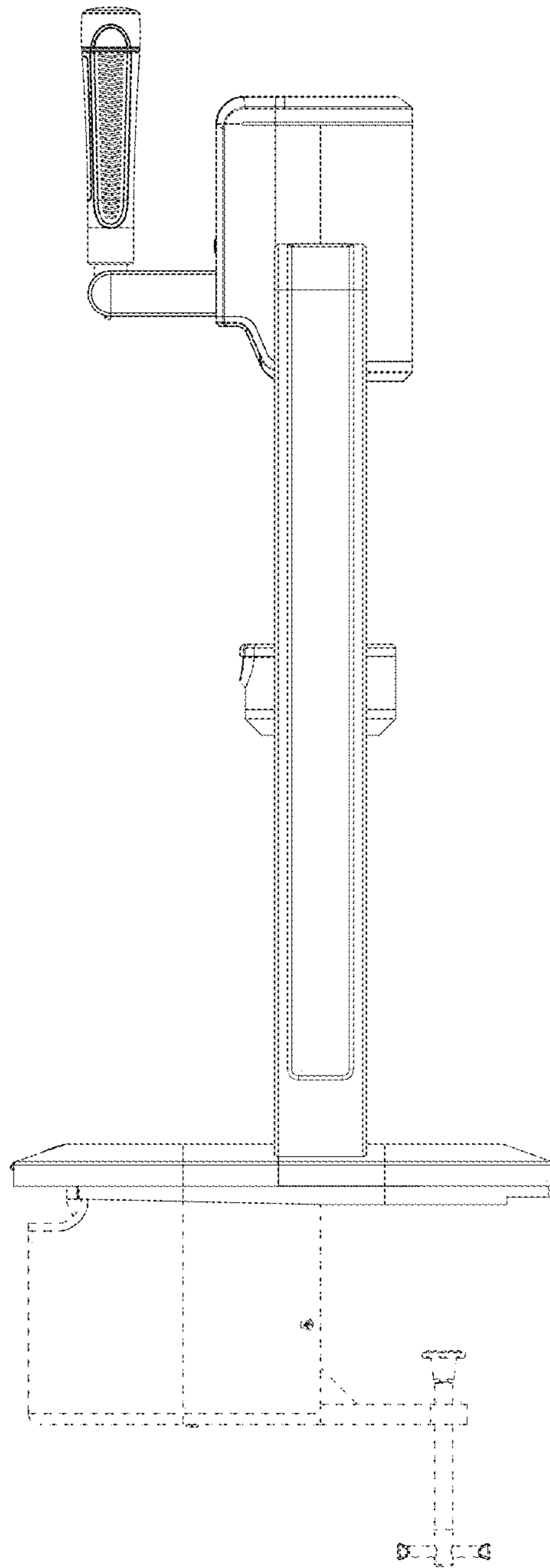


FIG. 4

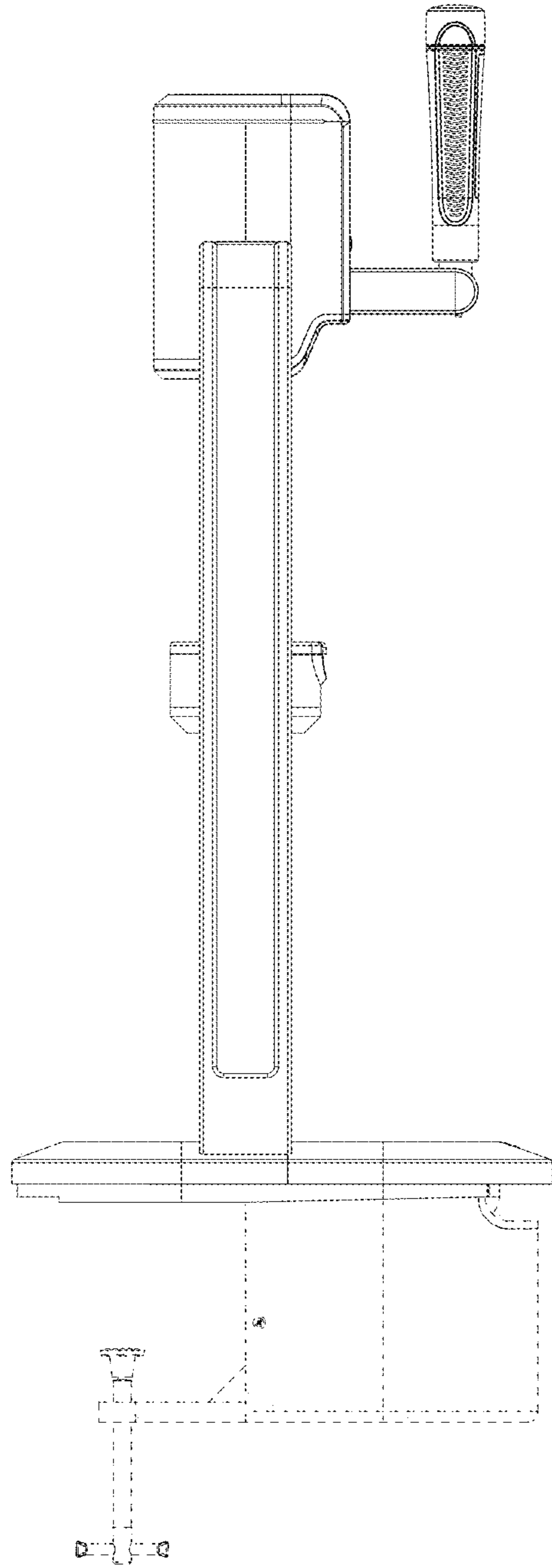


FIG. 5

