



US00D989538S

(12) **United States Design Patent** (10) **Patent No.:** **US D989,538 S**
Peng (45) **Date of Patent:** **** Jun. 20, 2023**

- (54) **COFFEE MAKER** D906,750 S * 1/2021 Kestenbaum A47J 31/4403
D7/311
- (71) Applicant: **Frame Design LLC**, Spokane, WA D907,948 S * 1/2021 Deng A47J 31/057
(US) D7/311
- (72) Inventor: **Steven T. Peng**, Spokane, WA (US) D942,200 S * 2/2022 McConnell A47J 31/4403
D7/309
- (73) Assignee: **Frame Design LLC**, Spokane, WA 2004/0112224 A1* 6/2004 Drobeck A47J 31/52
(US) 99/279
- 2014/0013958 A1* 1/2014 Krasne A47J 31/057
99/284

(Continued)

(**) Term: **15 Years**

(21) Appl. No.: **29/761,489**

(22) Filed: **Dec. 9, 2020**

(51) **LOC (14) Cl.** **07-01**

(52) **U.S. Cl.**
USPC **D7/309**

(58) **Field of Classification Search**
USPC D7/300, 305, 306, 309-311, 355, 362,
D7/365, 367, 397
CPC A47J 31/46; A47J 31/407; A47J 31/50;
A47J 31/18; A47J 31/00; A47J 31/0573;
A47J 31/52; A47J 27/04

See application file for complete search history.

(56) **References Cited**

U.S. PATENT DOCUMENTS

- 5,301,600 A * 4/1994 Medema A47J 31/4403
99/305
- D347,961 S * 6/1994 Beeren D7/311
- D499,599 S * 12/2004 Morrison D7/311
- D505,292 S * 5/2005 Spencer D7/397
- D555,415 S * 11/2007 Lin D7/311
- D607,272 S * 1/2010 Bodum D7/311
- D619,409 S * 7/2010 Pino D7/311
- D634,962 S * 3/2011 Butler D7/311
- D738,153 S * 9/2015 Brook D7/311
- D740,063 S * 10/2015 Katz D7/311
- D852,566 S * 7/2019 Chen D7/311
- D897,767 S * 10/2020 Pisarevsky A47J 31/52
D7/400

OTHER PUBLICATIONS

Korean Office Action dated Feb. 22, 2022 for Korean Patent Application No. 30-2021-27394, a foreign counterpart to U.S. Appl. No. 29/761,489, 3 pages.

(Continued)

Primary Examiner — Andrew Kerr
(74) *Attorney, Agent, or Firm* — Lee & Hayes, P.C.

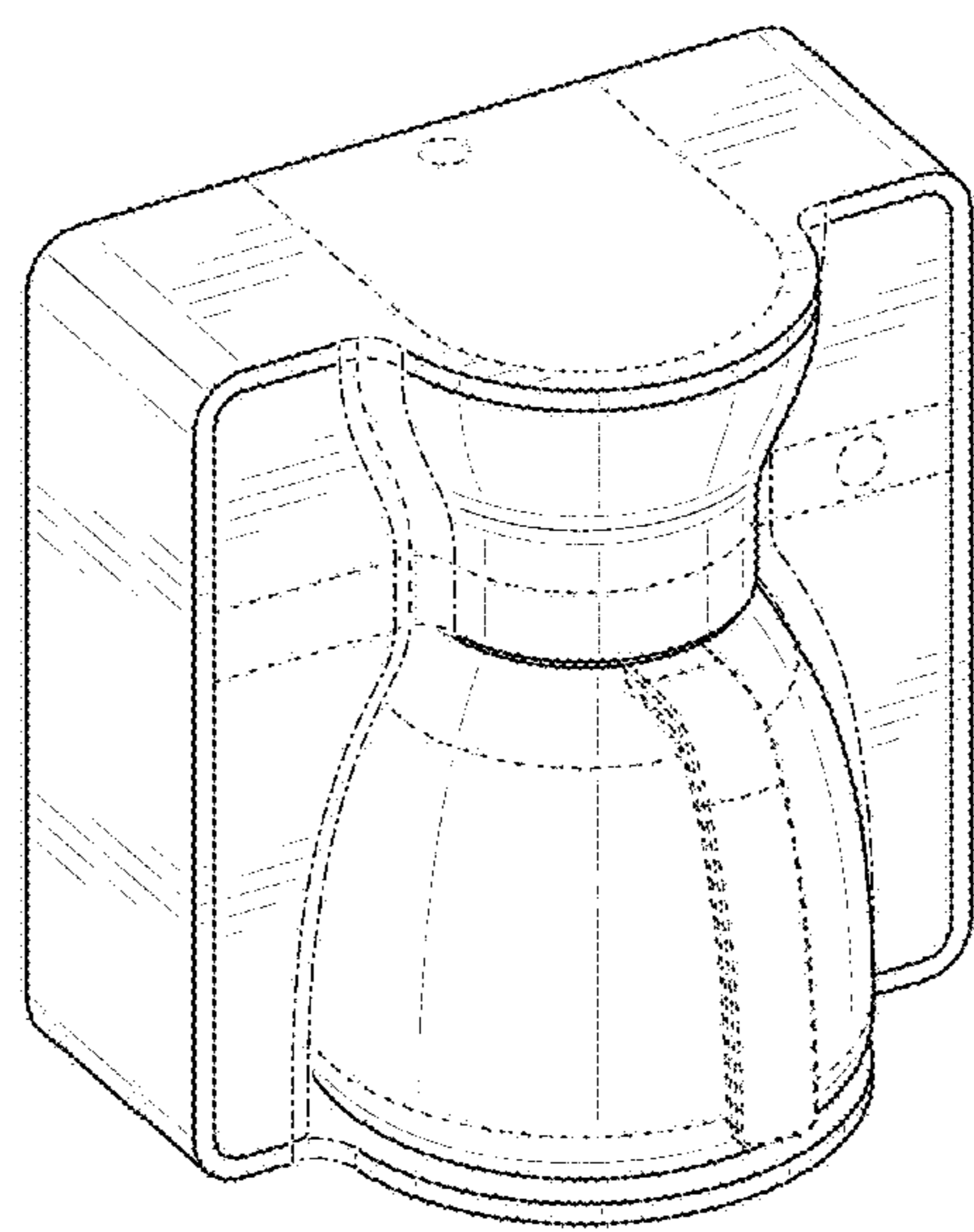
(57) **CLAIM**

The ornamental design for a coffee maker, as shown and described.

DESCRIPTION

FIG. 1 is a perspective view of a coffee maker, showing my new design;
FIG. 2 is a front view thereof;
FIG. 3 is a rear view thereof;
FIG. 4 is a top view thereof;
FIG. 5 is a bottom view thereof;
FIG. 6 is a left view thereof; and,
FIG. 7 is a right view thereof.
The dashed broken lines in the Figures depicts portions of the coffee maker that forms no part of the claimed design. The dot-dashed broken lines in the Figures represent boundaries of the claimed design that form no part of the claimed design.

1 Claim, 7 Drawing Sheets



(56)

References Cited

U.S. PATENT DOCUMENTS

2015/0190011 A1* 7/2015 Minard A47J 31/4403
99/287

OTHER PUBLICATIONS

Canadian Office Action dated Nov. 18, 2022 for Canadian Patent Application No. 203913, a foreign counterpart to U.S. Appl. No. 29/761,489, 2 pages.

* cited by examiner

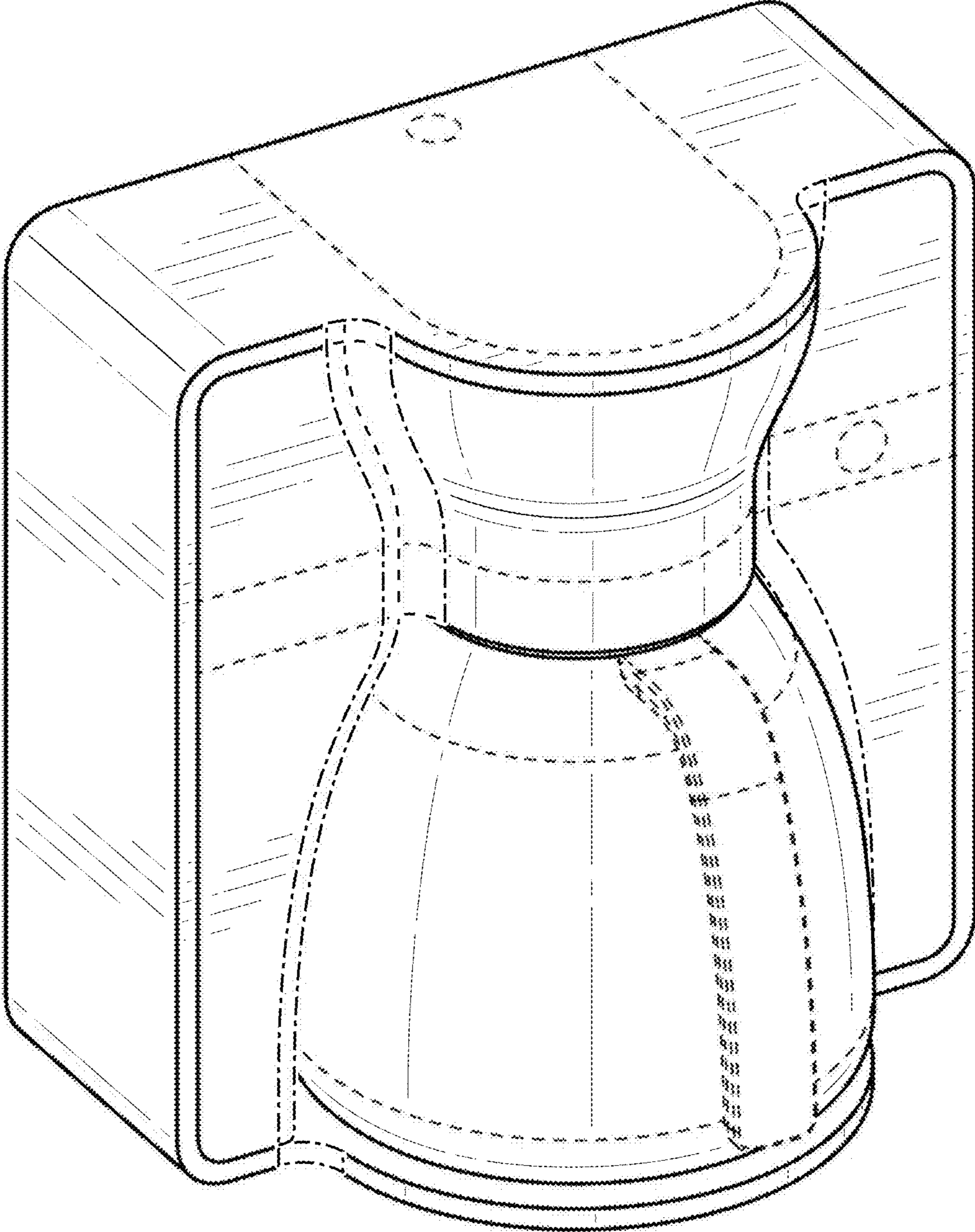


FIG. 1

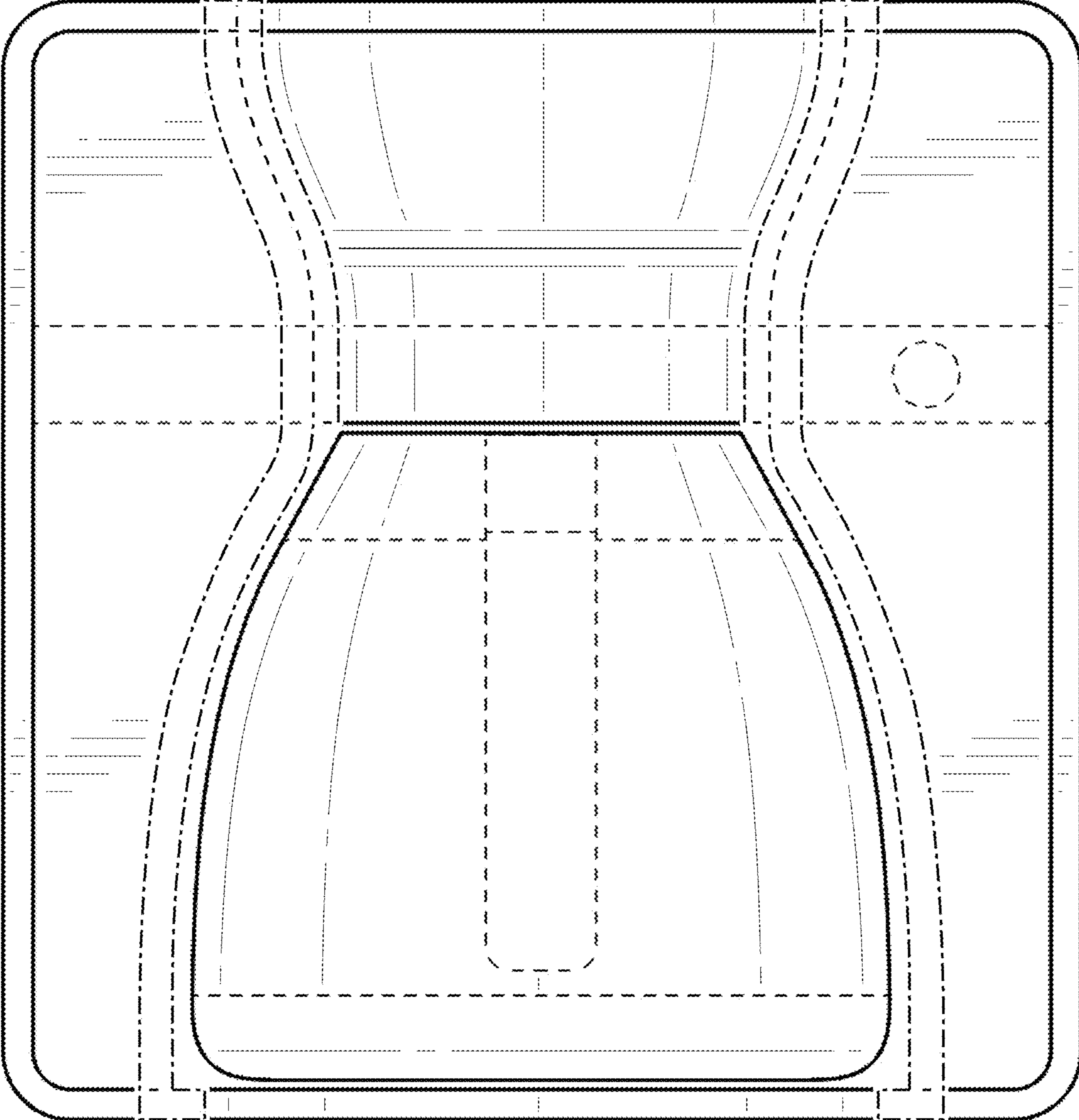


FIG. 2



FIG. 3

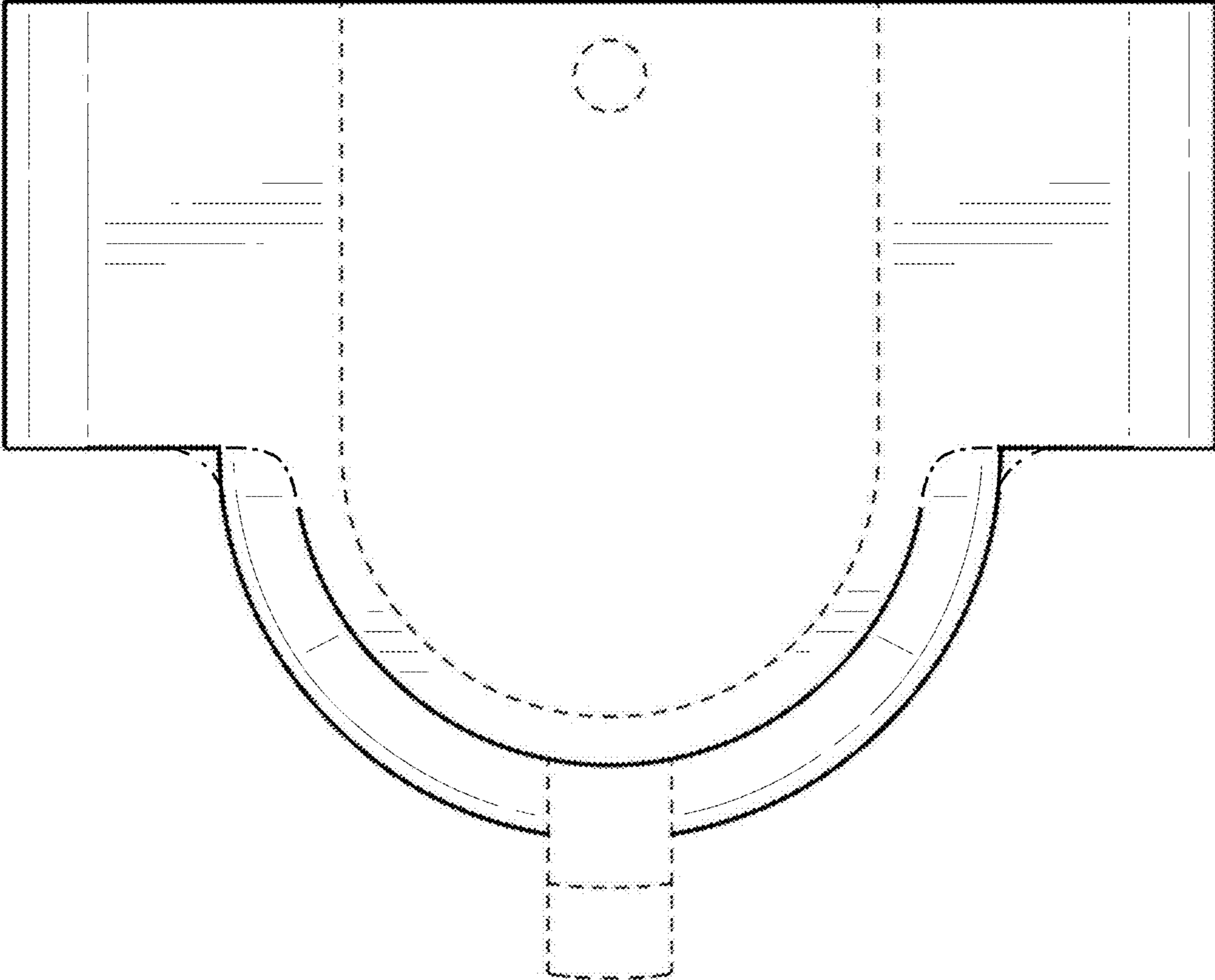


FIG. 4

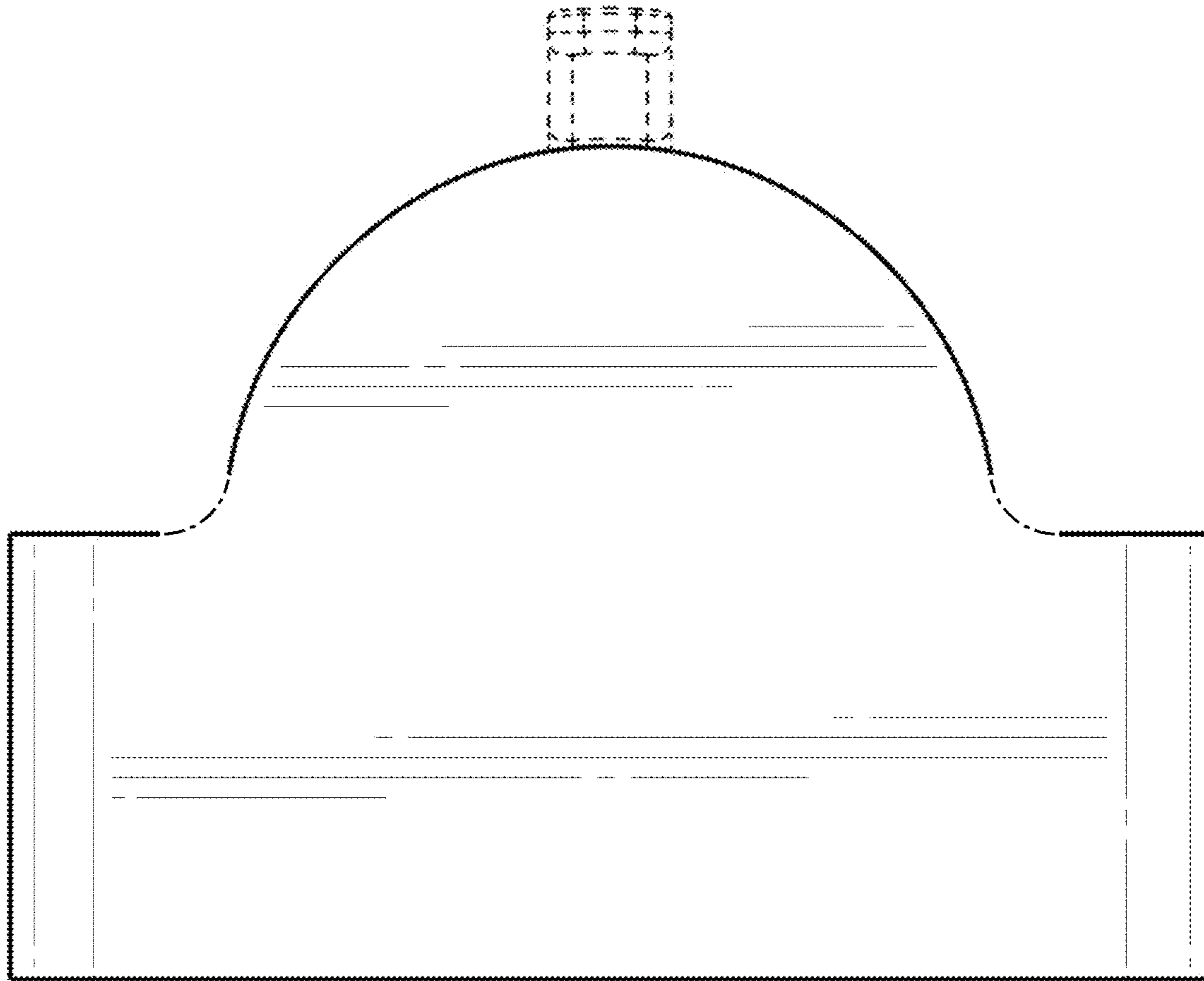


FIG. 5

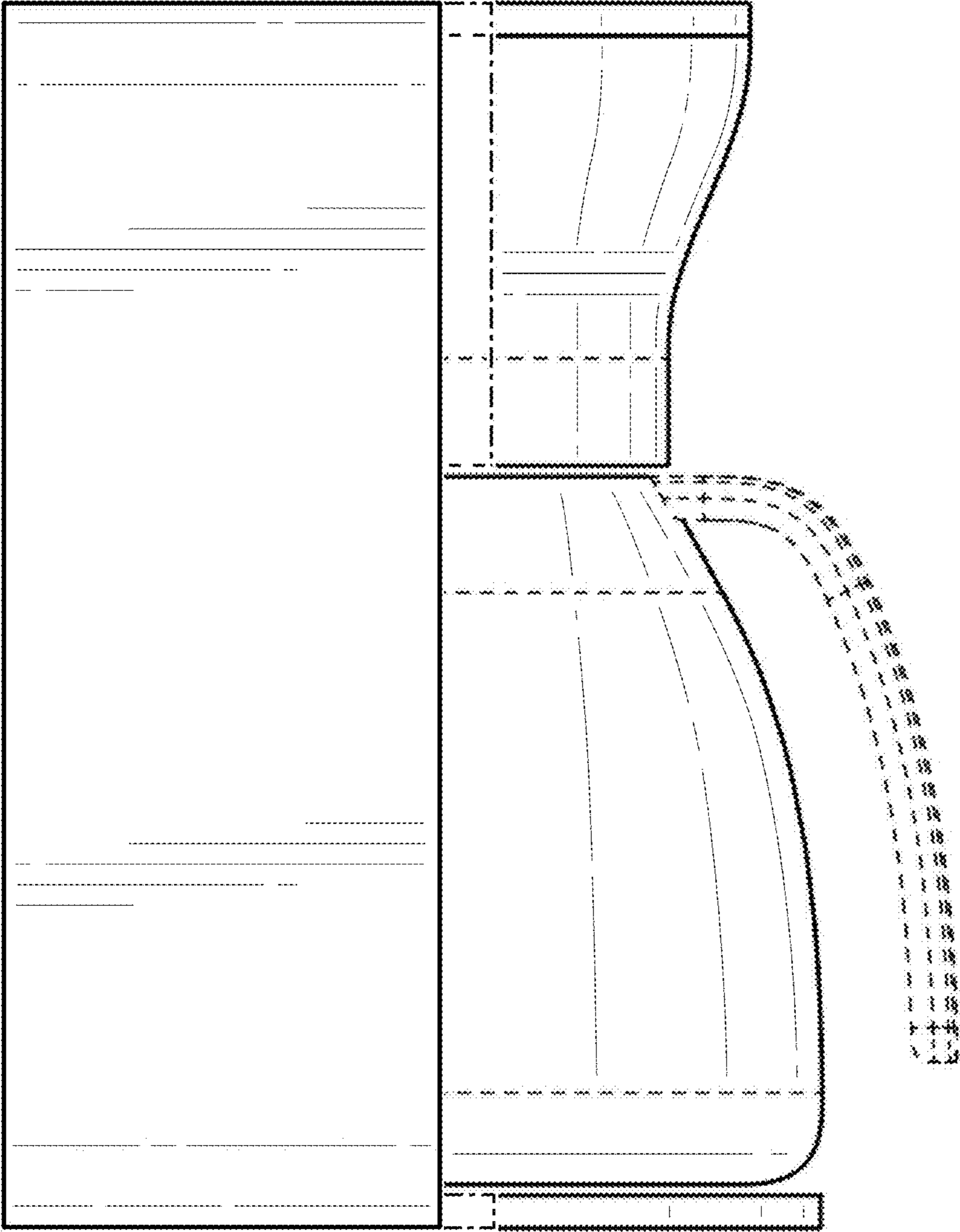


FIG. 6

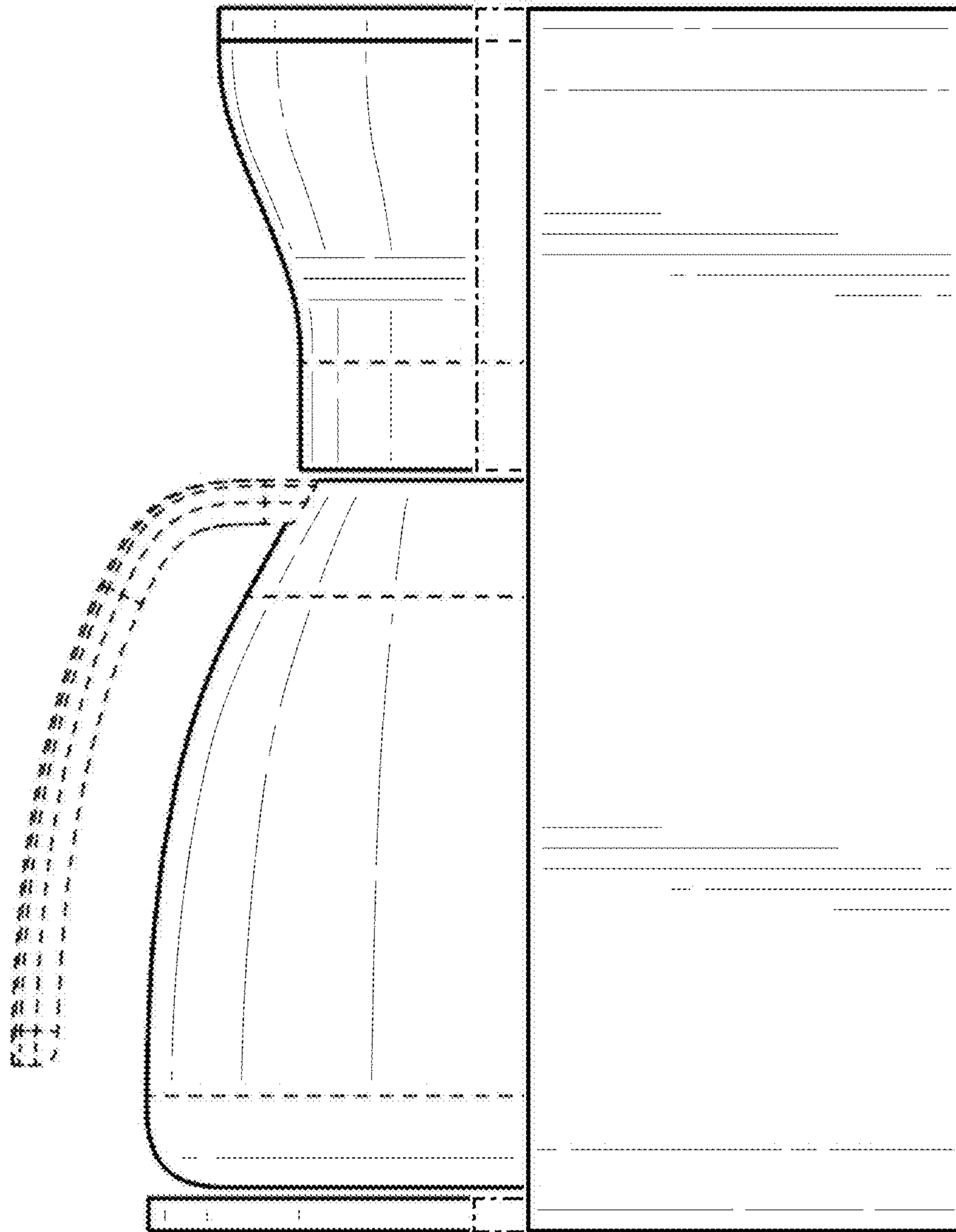


FIG. 7