



US00D989535S

(12) **United States Design Patent**  
**Driver, Jr.**

(10) **Patent No.:** **US D989,535 S**  
(45) **Date of Patent:** **\*\* Jun. 20, 2023**

- (54) **BASKETBALL THEMED FOOTBOARD**
- (71) Applicant: **Mahlon Kennis Driver, Jr.**, Murrieta, CA (US)
- (72) Inventor: **Mahlon Kennis Driver, Jr.**, Murrieta, CA (US)
- (\*\*) Term: **15 Years**
- (21) Appl. No.: **29/799,676**
- (22) Filed: **Jul. 15, 2021**
- (51) **LOC (14) Cl.** ..... **06-06**
- (52) **U.S. Cl.**  
USPC ..... **D6/718.18**
- (58) **Field of Classification Search**  
USPC ..... D6/382, 388, 393, 394, 718, 718.13, D6/718.15, 718.18; D21/701, 703, 704  
CPC ... A47C 19/022; A47C 19/005; A47C 19/021; A47C 19/00; A63B 63/083; A63B 2243/0037  
See application file for complete search history.

- 5,711,727 A \* 1/1998 Edge ..... A63B 43/06 473/481
  - 5,713,806 A \* 2/1998 Teitgen ..... A63B 71/0054 473/481
  - 5,800,296 A \* 9/1998 Shaw ..... A63B 63/083 473/483
  - D509,677 S \* 9/2005 Junbeau ..... D6/393
  - D520,774 S \* 5/2006 Boudreau ..... D6/393
  - D521,768 S \* 5/2006 Black ..... D6/393
  - D546,578 S \* 7/2007 Juneau ..... D6/393
  - 7,628,717 B2 \* 12/2009 Purcell ..... A63B 63/083 473/483
  - D607,238 S \* 1/2010 Jokisch ..... D6/718.18
  - D608,848 S \* 1/2010 Quinn ..... D21/703
- (Continued)

*Primary Examiner* — Mary Ann Calabrese  
*Assistant Examiner* — Katelin G Kloberg  
 (74) *Attorney, Agent, or Firm* — Trojan Law Offices

(57) **CLAIM**

The ornamental design for a basketball themed footboard, as shown and described.

(56) **References Cited**

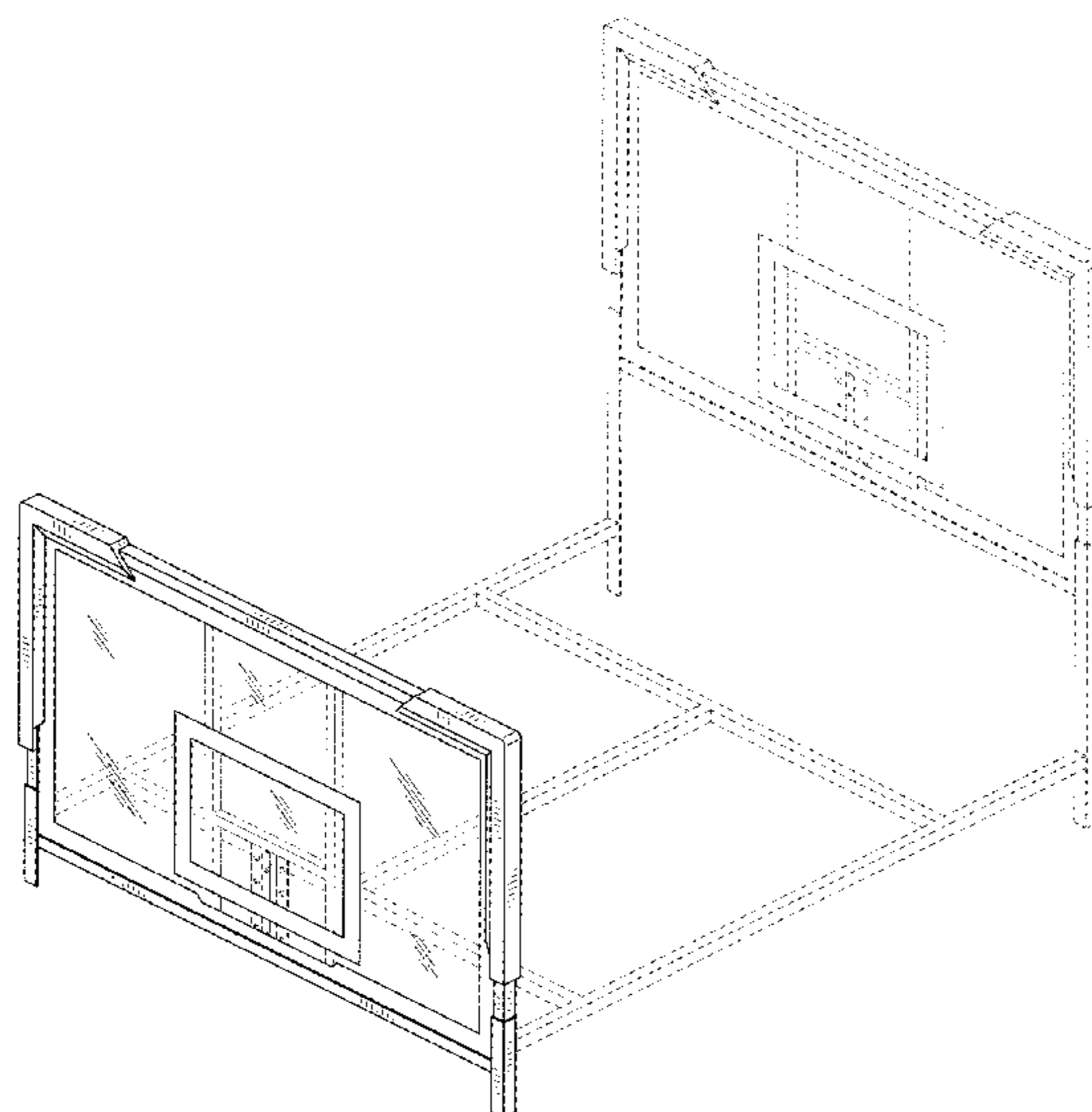
U.S. PATENT DOCUMENTS

- D25,929 S \* 8/1896 Merritt ..... D6/393
- D72,127 S \* 3/1927 Antrobus ..... D6/393
- 4,285,518 A \* 8/1981 Pearo ..... A63B 63/083 473/481
- 4,372,555 A \* 2/1983 Sorensen ..... A63B 63/083 473/481
- 4,483,534 A \* 11/1984 O'Donnell ..... A63B 63/083 473/486
- 4,739,988 A \* 4/1988 Schroeder ..... A63B 63/083 473/481
- 4,834,369 A \* 5/1989 Walsh ..... A63B 63/083 248/598
- 5,037,092 A \* 8/1991 Blackburn ..... A63B 63/083 473/481
- 5,120,054 A \* 6/1992 Wetzell ..... A63B 71/0054 473/481
- D356,900 S \* 4/1995 Chesmore ..... D6/718.18

**DESCRIPTION**

FIG. 1 is a front perspective view of a basketball themed footboard, showing my new design;  
 FIG. 2 is a front view of the basketball themed footboard of FIG. 1;  
 FIG. 3 is a back view of the basketball themed footboard of FIG. 1;  
 FIG. 4 is a side view of the basketball themed footboard of FIG. 1;  
 FIG. 5 is a top view of the basketball themed footboard of FIG. 1; and,  
 FIG. 6 is a bottom view of the basketball themed footboard of FIG. 1.  
 The broken lines depict environmental subject matter that forms no part of the claimed design.

**1 Claim, 6 Drawing Sheets**



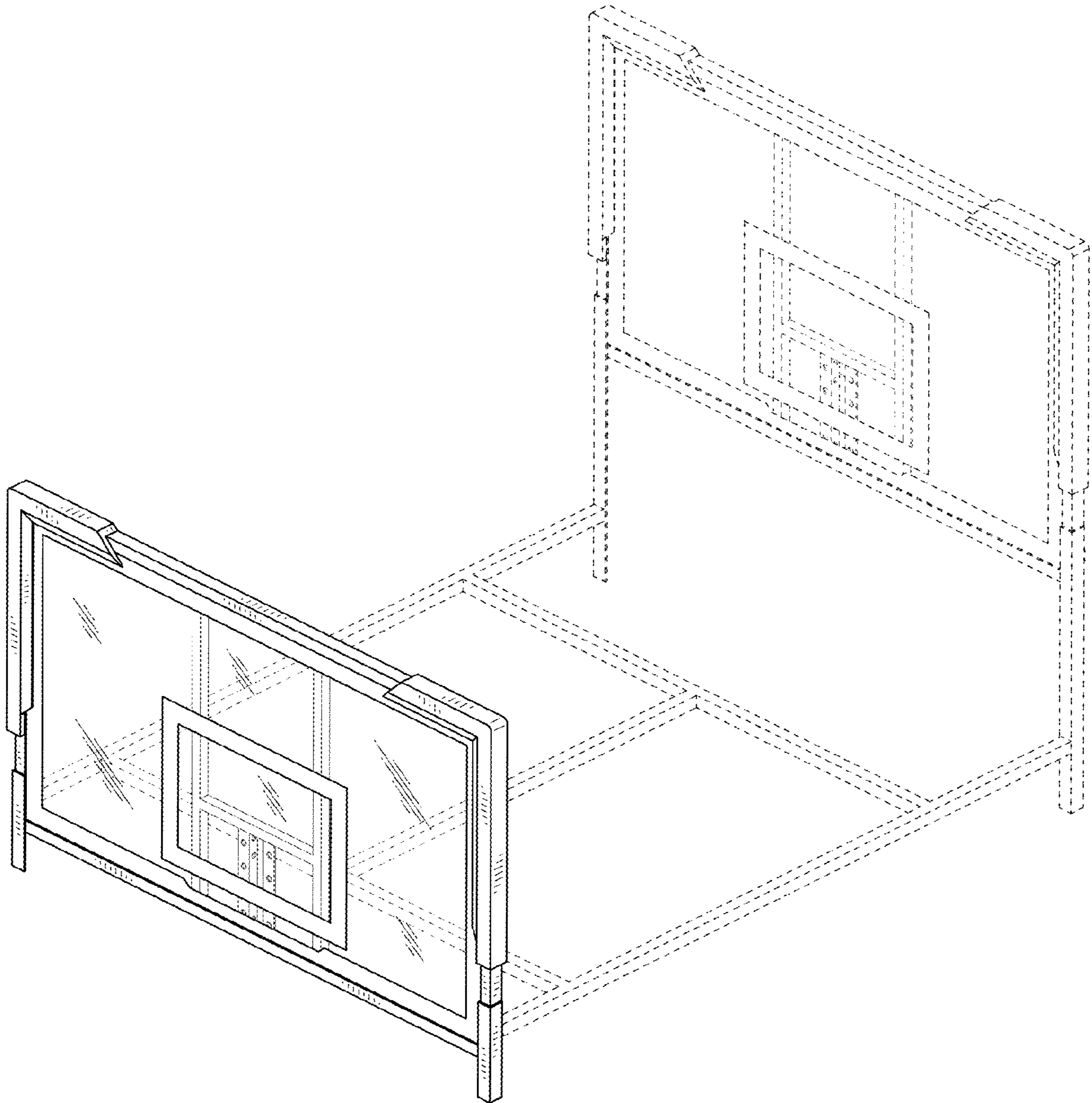
(56)

**References Cited**

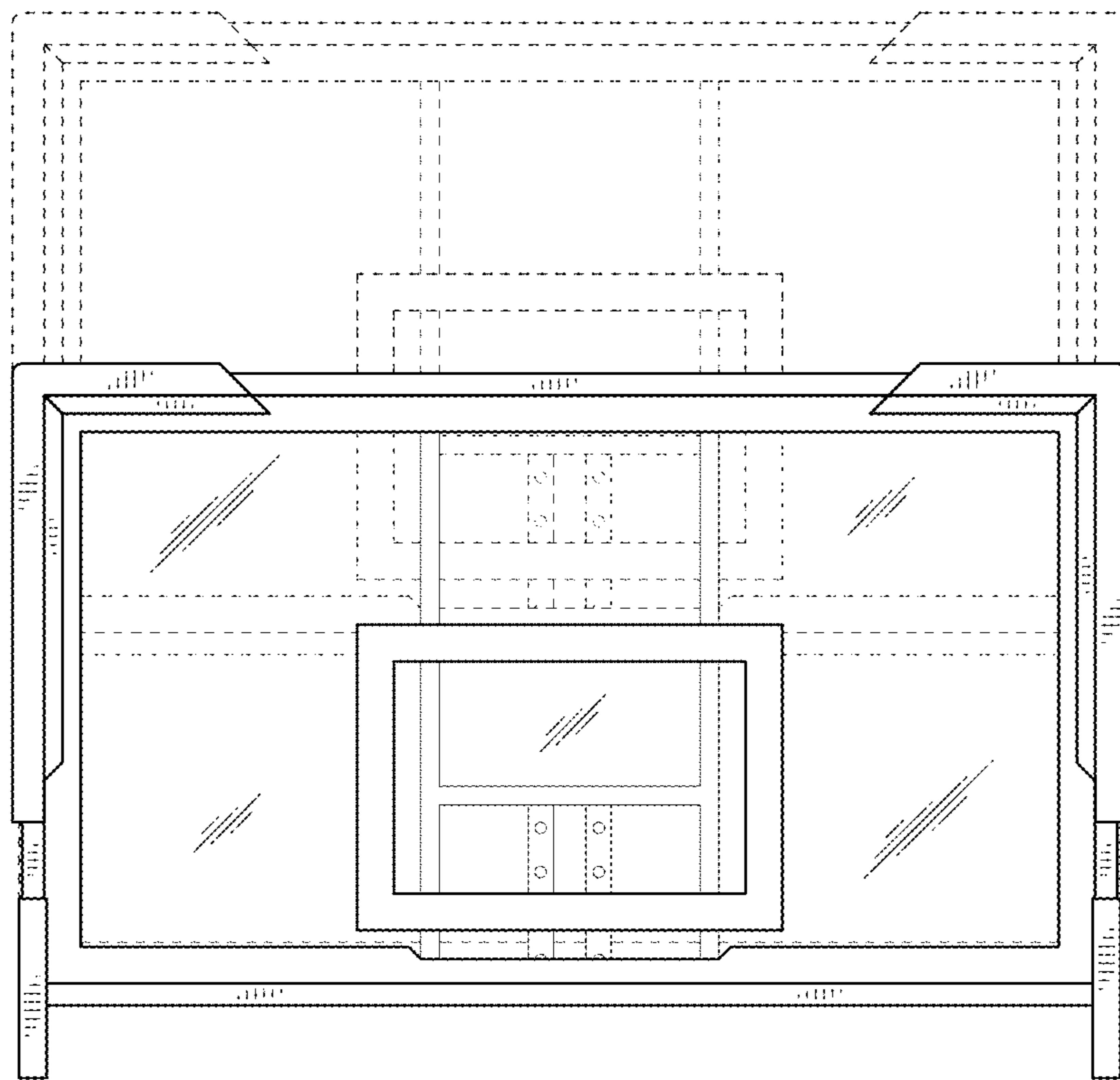
U.S. PATENT DOCUMENTS

D647,983 S \* 11/2011 Quinn ..... A63B 63/083  
D21/703  
8,986,140 B1 \* 3/2015 Fuller ..... A63B 69/0071  
473/422  
D729,889 S \* 5/2015 Morton ..... D21/704  
D853,145 S \* 7/2019 Lee ..... D6/393  
D855,346 S \* 8/2019 Lee ..... D6/393  
11,117,032 B2 \* 9/2021 Falbo ..... A63B 71/023  
D944,346 S \* 2/2022 Lin ..... D21/703  
D948,885 S \* 4/2022 Meneghello ..... D6/393

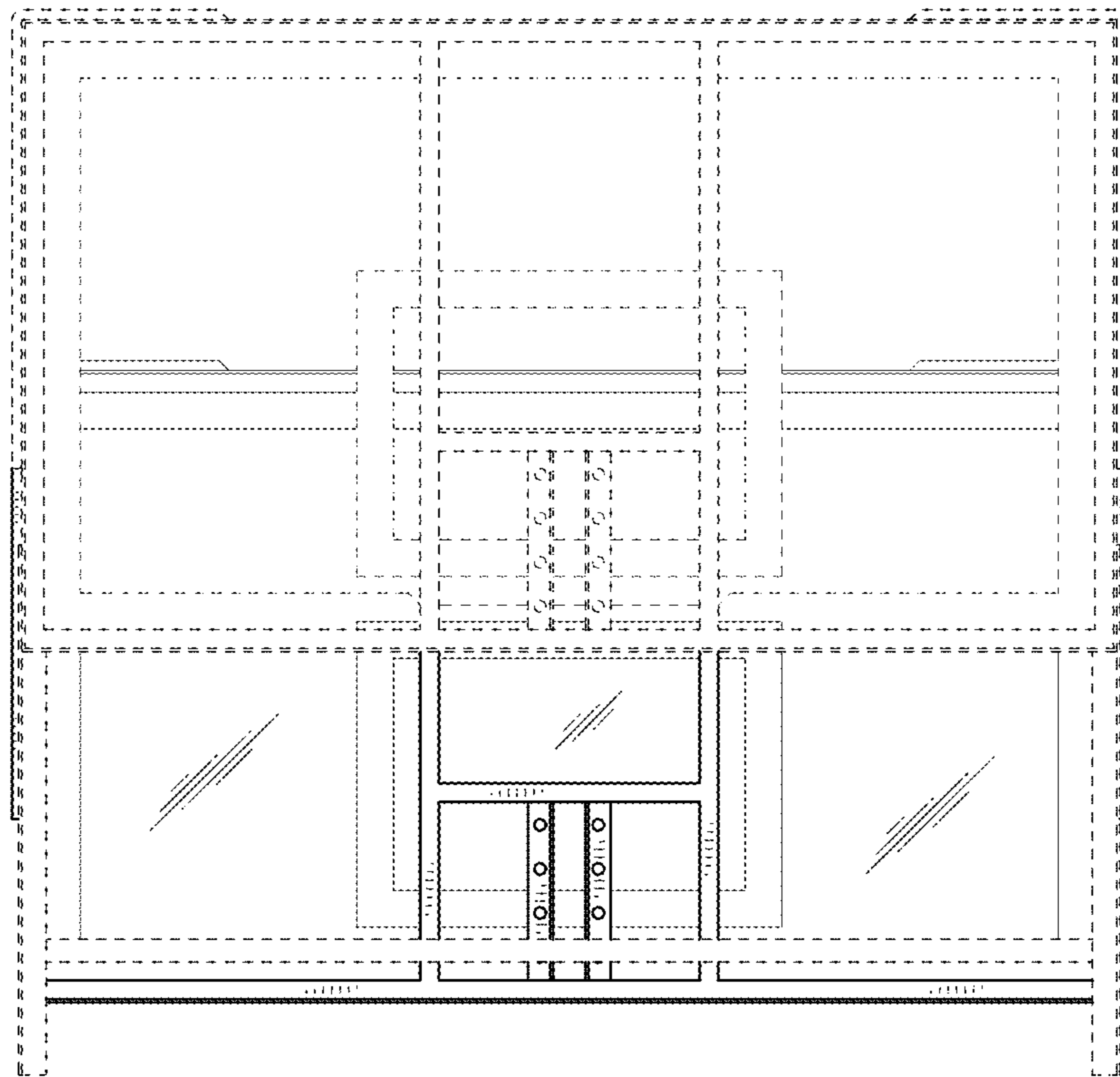
\* cited by examiner



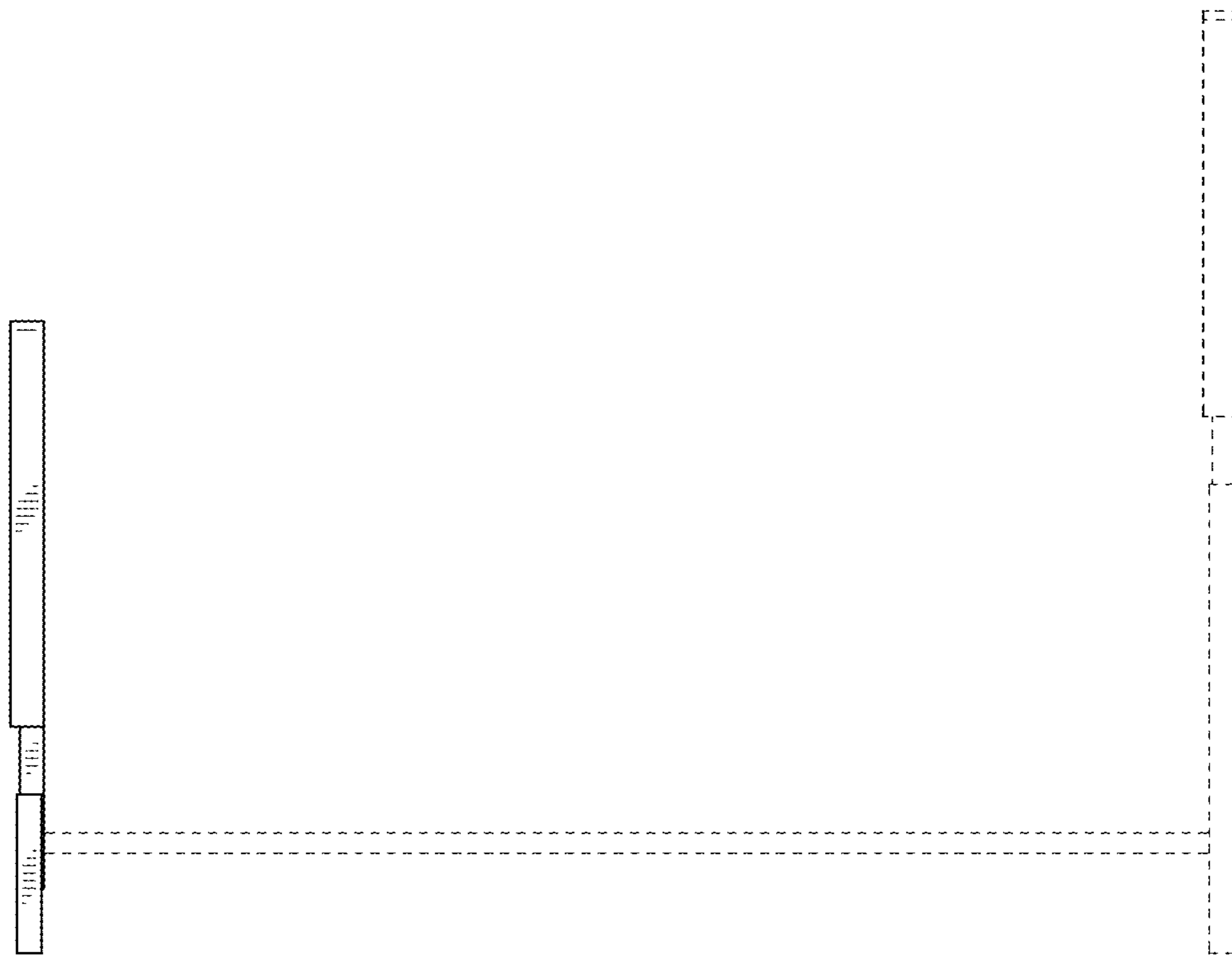
*FIG. 1*



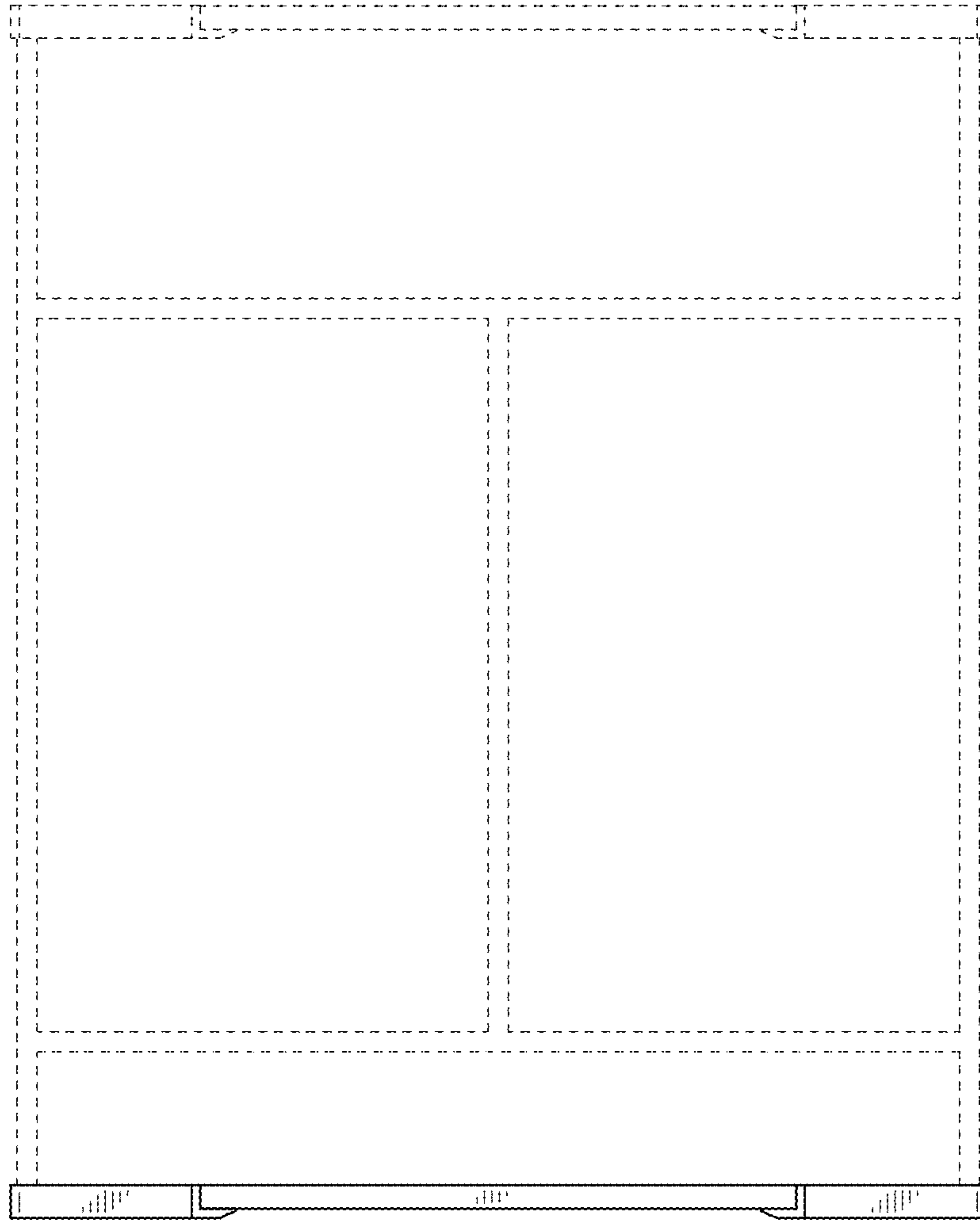
*FIG. 2*



*FIG. 3*

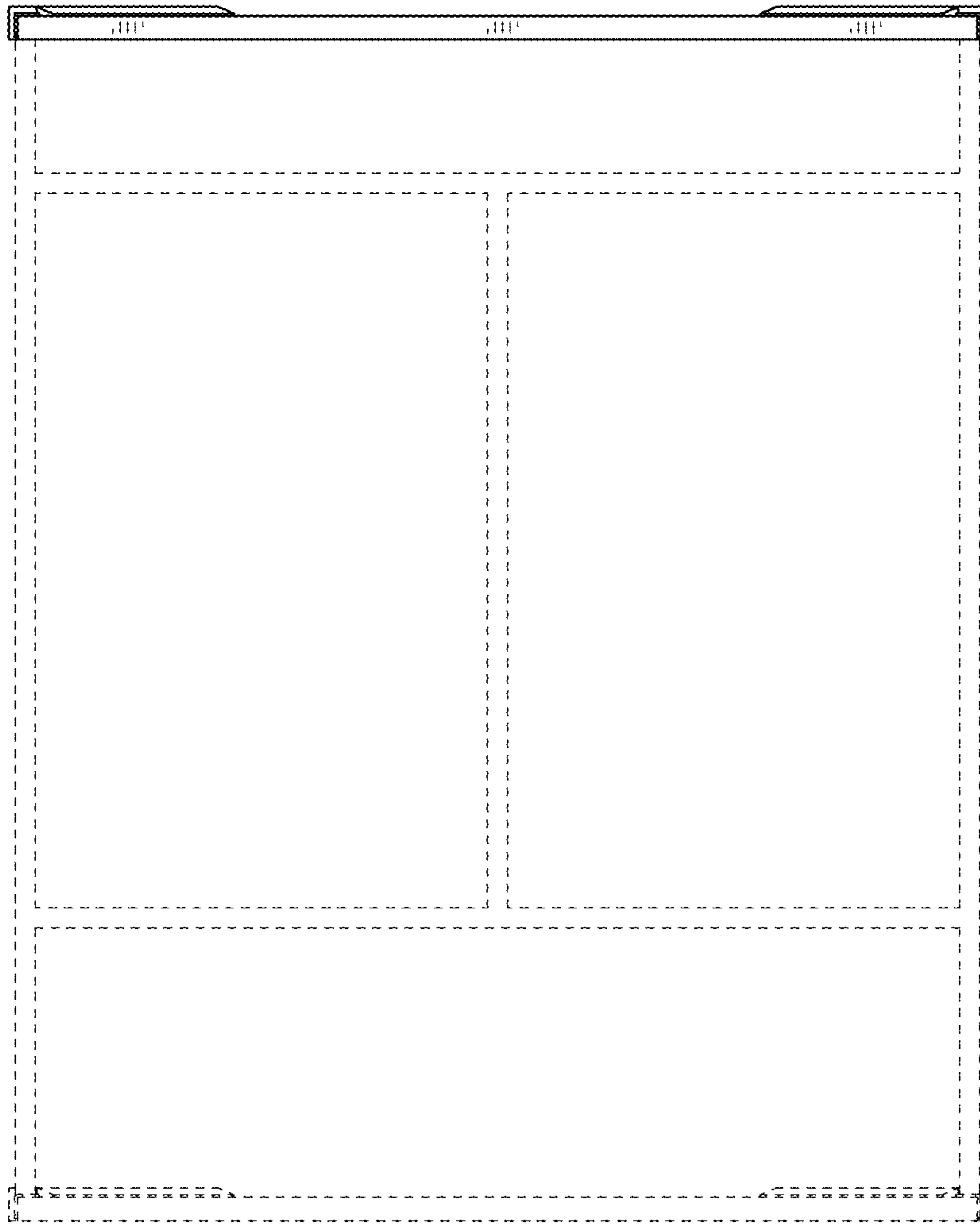


*FIG. 4*



*FIG. 5*





*FIG. 6*