



US00D989534S

(12) **United States Design Patent**
Driver, Jr.

(10) **Patent No.:** **US D989,534 S**
(45) **Date of Patent:** **** Jun. 20, 2023**

- (54) **BASKETBALL THEMED HEADBOARD**
- (71) Applicant: **Mahlon Kennis Driver, Jr.**, Murrieta, CA (US)
- (72) Inventor: **Mahlon Kennis Driver, Jr.**, Murrieta, CA (US)
- (**) Term: **15 Years**
- (21) Appl. No.: **29/799,672**
- (22) Filed: **Jul. 15, 2021**
- (51) **LOC (14) Cl.** **06-06**
- (52) **U.S. Cl.**
USPC **D6/718.18**
- (58) **Field of Classification Search**
USPC D6/382, 388, 393, 394, 718, 718.13, D6/718.15, 718.18; D21/701, 703, 704
CPC ... A47C 19/022; A47C 19/005; A47C 19/021; A47C 19/00; A63B 63/083; A63B 2243/0037
See application file for complete search history.

- 5,711,727 A * 1/1998 Edge A63B 43/06 473/481
 - 5,713,806 A * 2/1998 Teitgen A63B 71/0054 473/481
 - 5,800,296 A * 9/1998 Shaw A63B 63/083 473/483
 - D509,677 S * 9/2005 Junbeau D6/393
 - D520,774 S * 5/2006 Boudreau D6/393
 - D521,768 S * 5/2006 Black D6/393
 - D546,578 S * 7/2007 Juneau D6/393
 - 7,628,717 B2 * 12/2009 Purcell A63B 63/083 473/483
 - D607,238 S * 1/2010 Jokisch D6/718.18
 - D608,848 S * 1/2010 Quinn D21/703
- (Continued)

Primary Examiner — Mary Ann Calabrese
Assistant Examiner — Katelin G Kloberg
 (74) *Attorney, Agent, or Firm* — Trojan Law Offices

(57) **CLAIM**

The ornamental design for a basketball themed headboard, as shown and described.

(56) **References Cited**

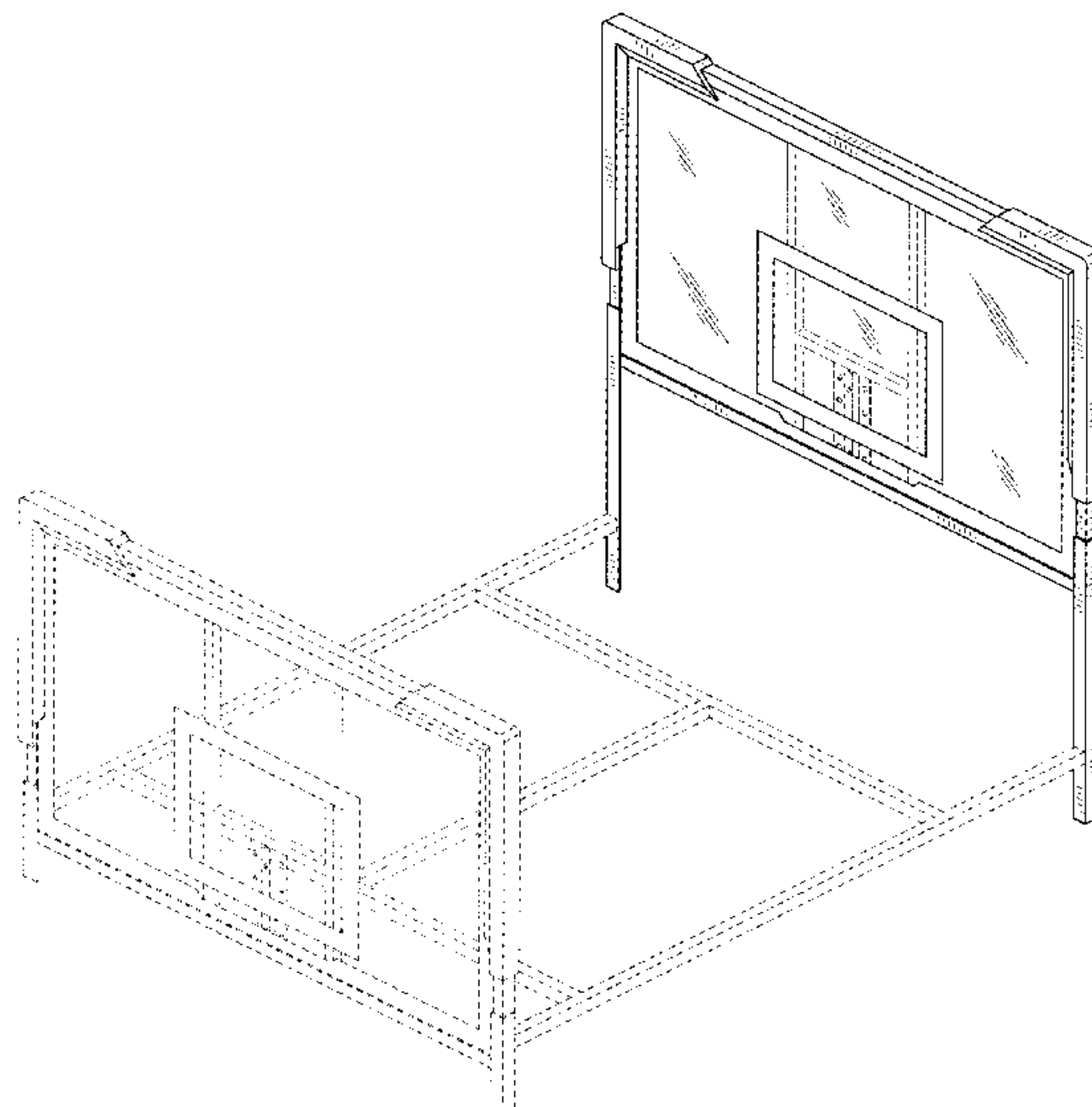
U.S. PATENT DOCUMENTS

- D25,929 S * 8/1896 Merritt D6/393
- D72,127 S * 3/1927 Antrobus D6/393
- 4,285,518 A * 8/1981 Pearo A63B 63/083 473/481
- 4,372,555 A * 2/1983 Sorensen A63B 63/083 473/481
- 4,483,534 A * 11/1984 O'Donnell A63B 63/083 473/486
- 4,739,988 A * 4/1988 Schroeder A63B 63/083 473/481
- 4,834,369 A * 5/1989 Walsh A63B 63/083 248/598
- 5,037,092 A * 8/1991 Blackburn A63B 63/083 473/481
- 5,120,054 A * 6/1992 Wetzel A63B 71/0054 473/481
- D356,900 S * 4/1995 Chesmore D6/718.18

DESCRIPTION

FIG. 1 is a front perspective view of a basketball themed headboard, showing my new design;
 FIG. 2 is a front view of the basketball themed headboard of FIG. 1;
 FIG. 3 is a back view of the basketball themed headboard of FIG. 1;
 FIG. 4 is a side view of the basketball themed headboard of FIG. 1;
 FIG. 5 is a top view of the basketball themed headboard of FIG. 1; and,
 FIG. 6 is a bottom view of the basketball themed headboard of FIG. 1.
 The broken lines depict environmental subject matter that forms no part of the claimed design.

1 Claim, 6 Drawing Sheets



(56)

References Cited

U.S. PATENT DOCUMENTS

D647,983 S * 11/2011 Quinn A63B 63/083
D21/703
8,986,140 B1 * 3/2015 Fuller A63B 69/0071
473/422
D729,889 S * 5/2015 Morton D21/704
D853,145 S * 7/2019 Lee D6/393
D855,346 S * 8/2019 Lee D6/393
11,117,032 B2 * 9/2021 Falbo A63B 71/023
D944,346 S * 2/2022 Lin D21/703
D948,885 S * 4/2022 Meneghello D6/393

* cited by examiner

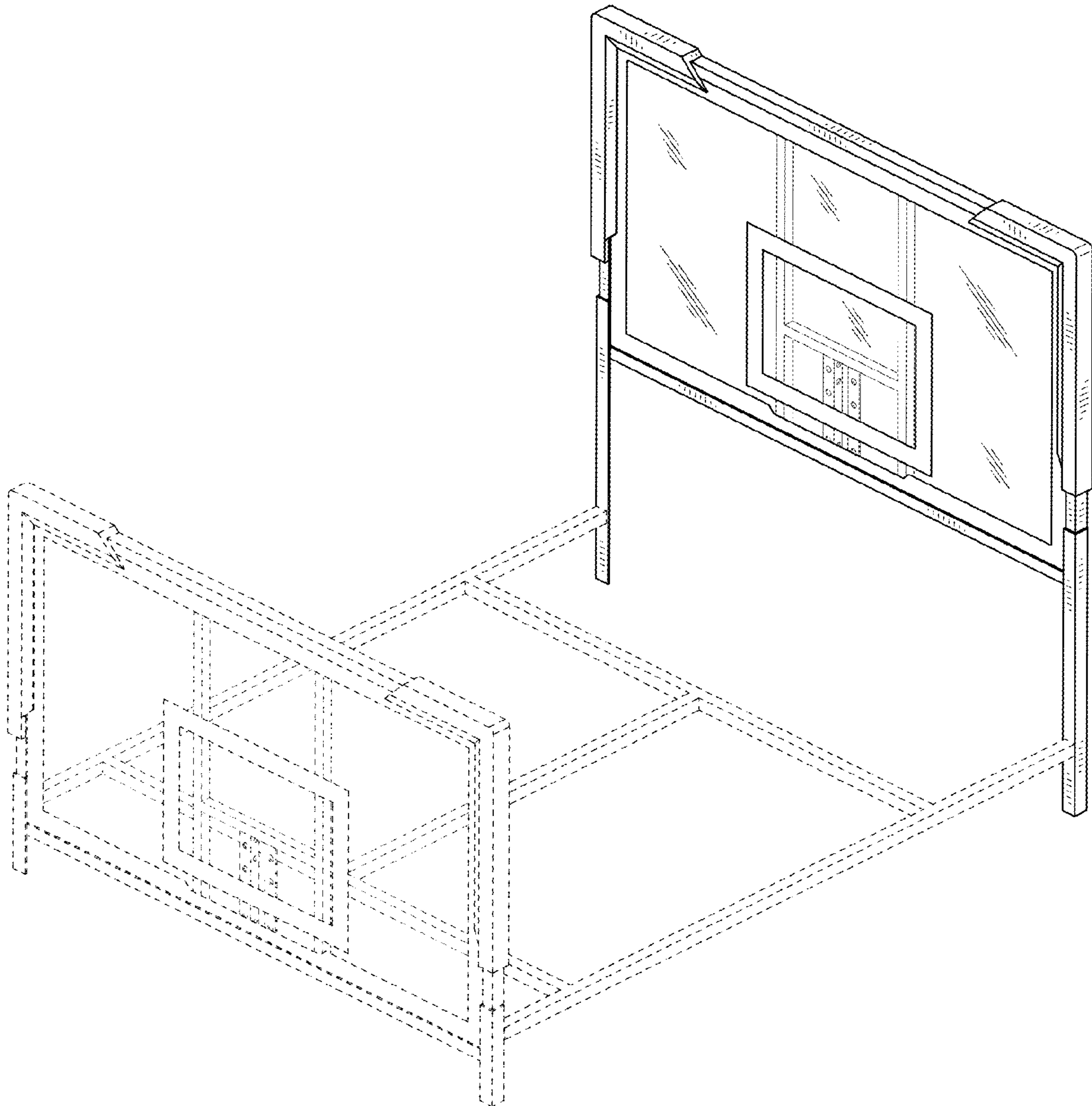


FIG. 1

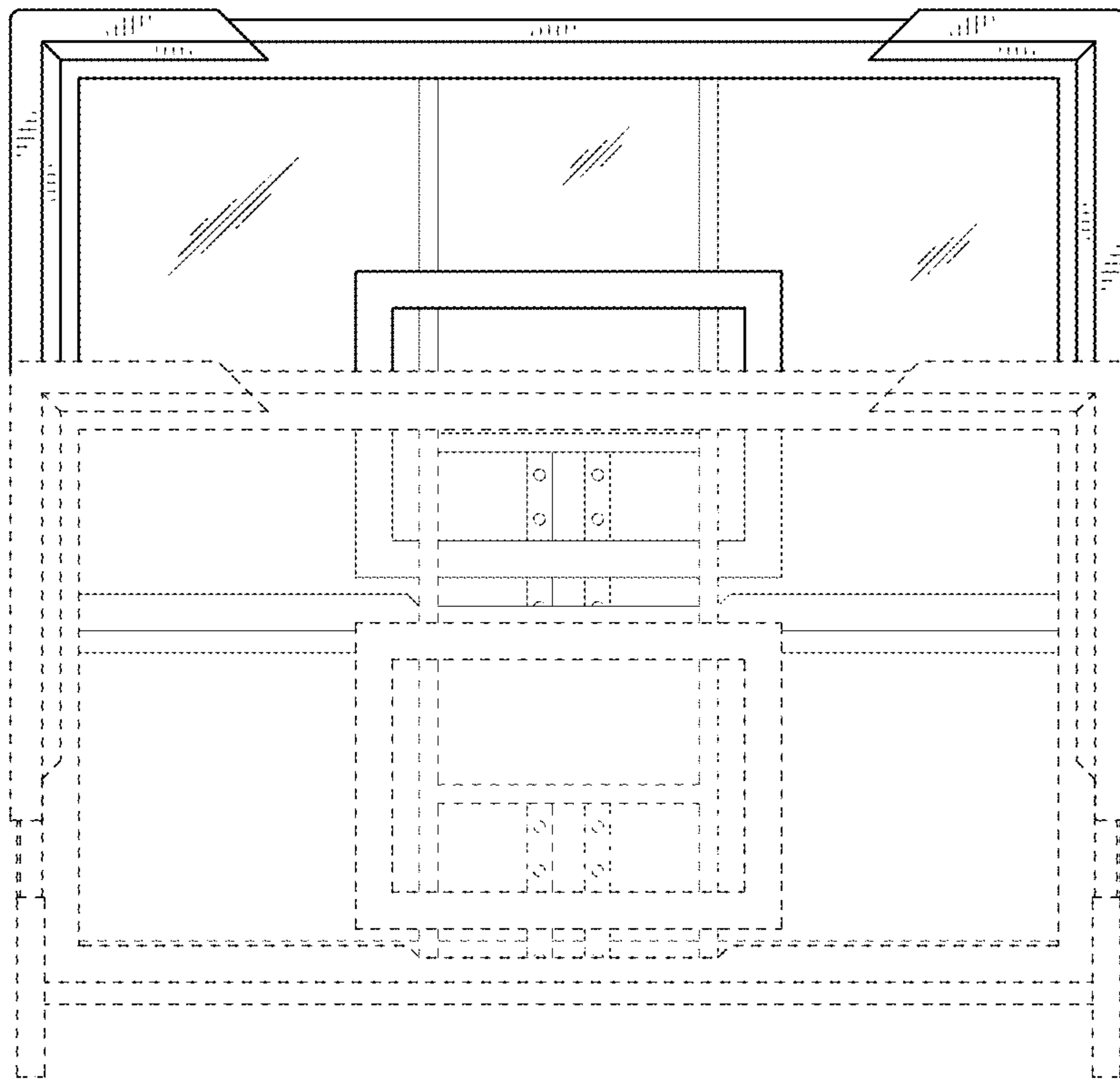


FIG. 2

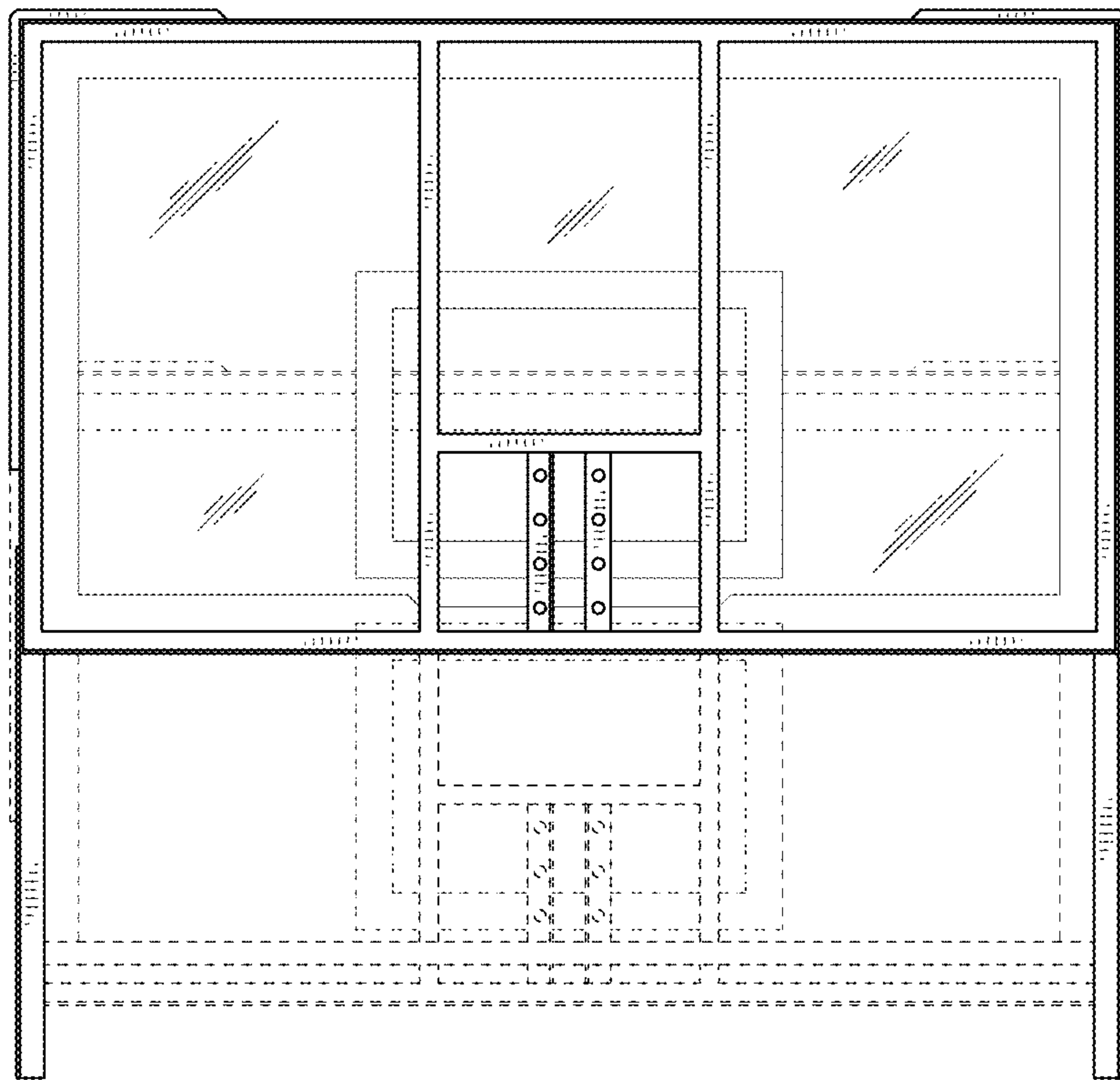


FIG. 3

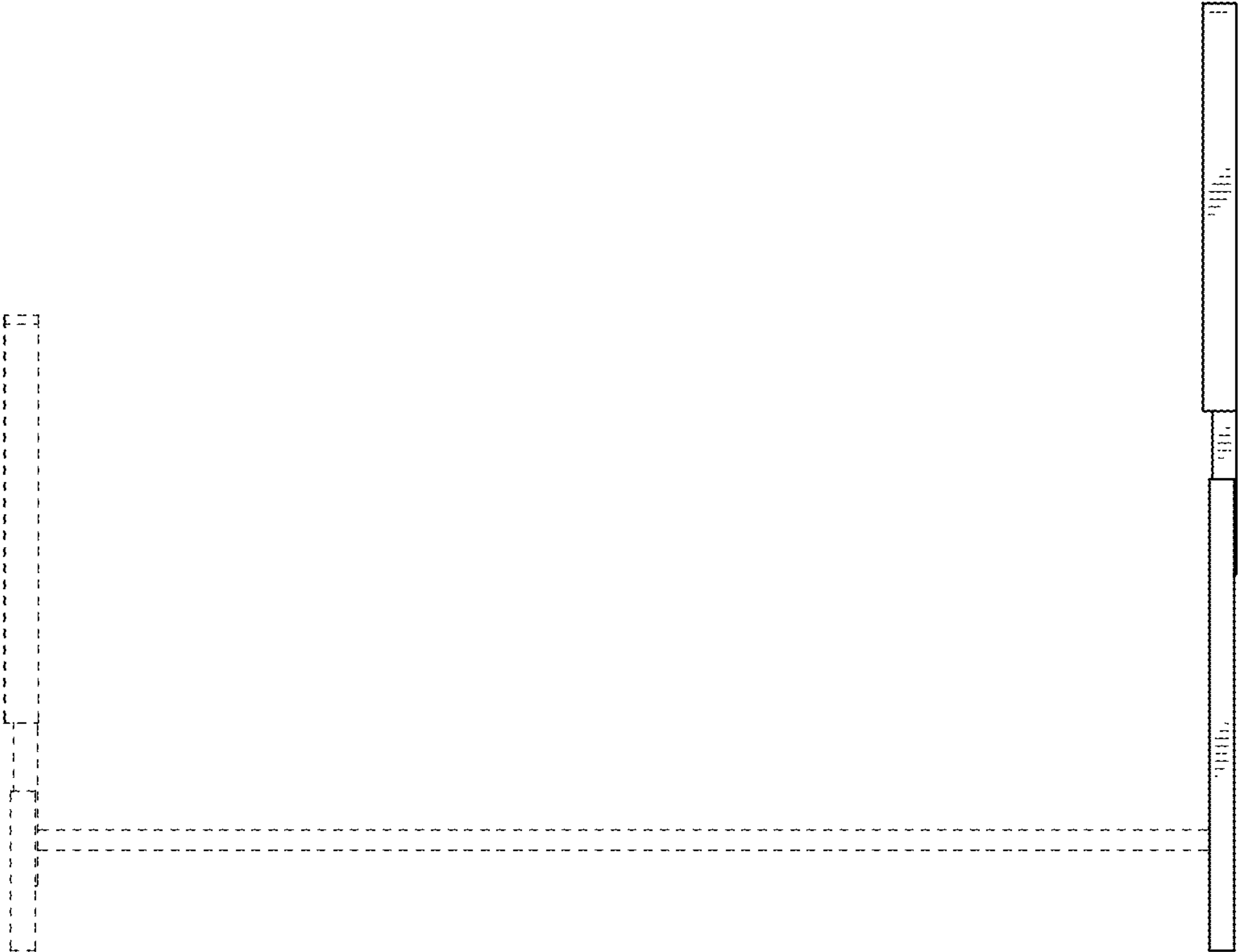


FIG. 4

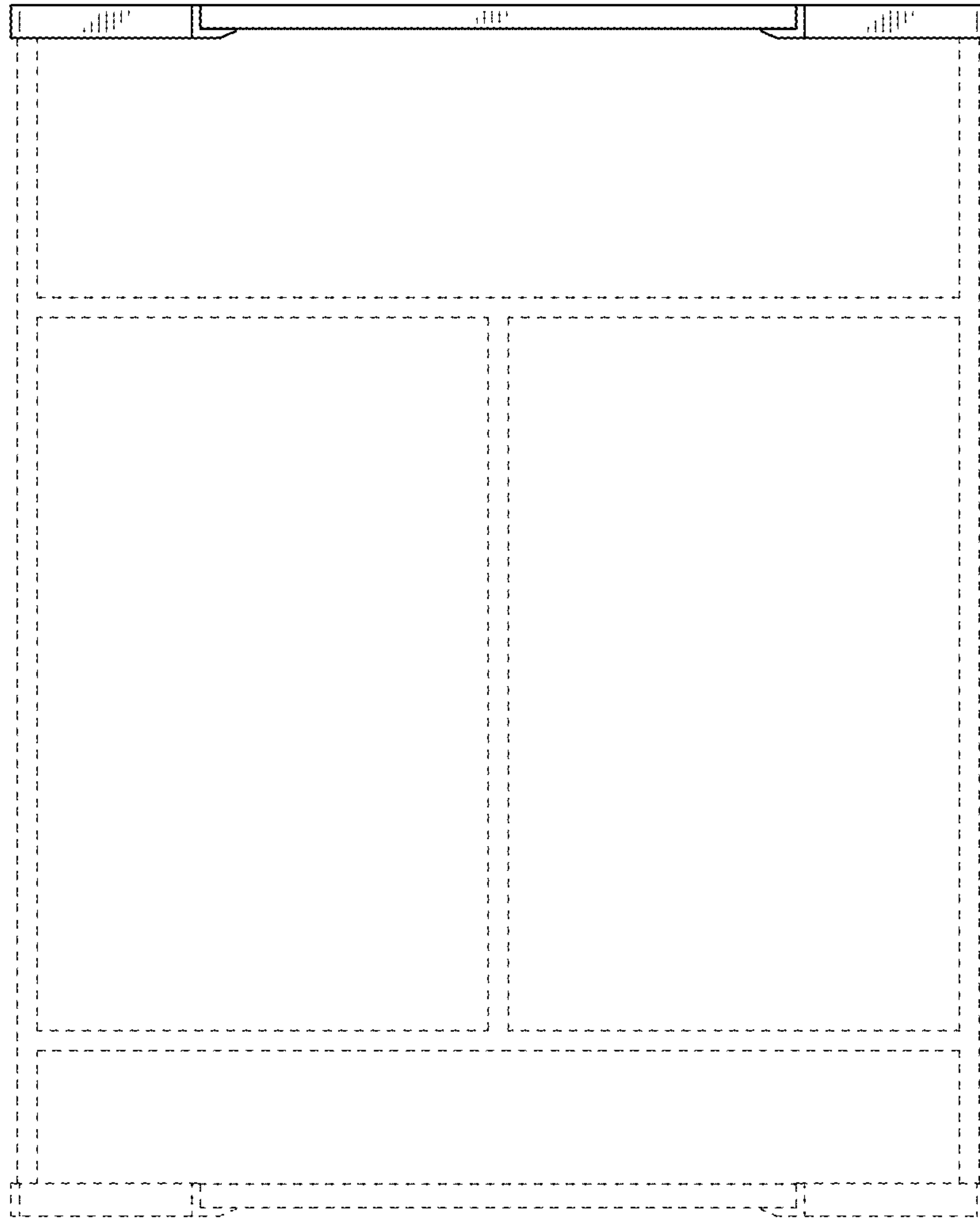


FIG. 5

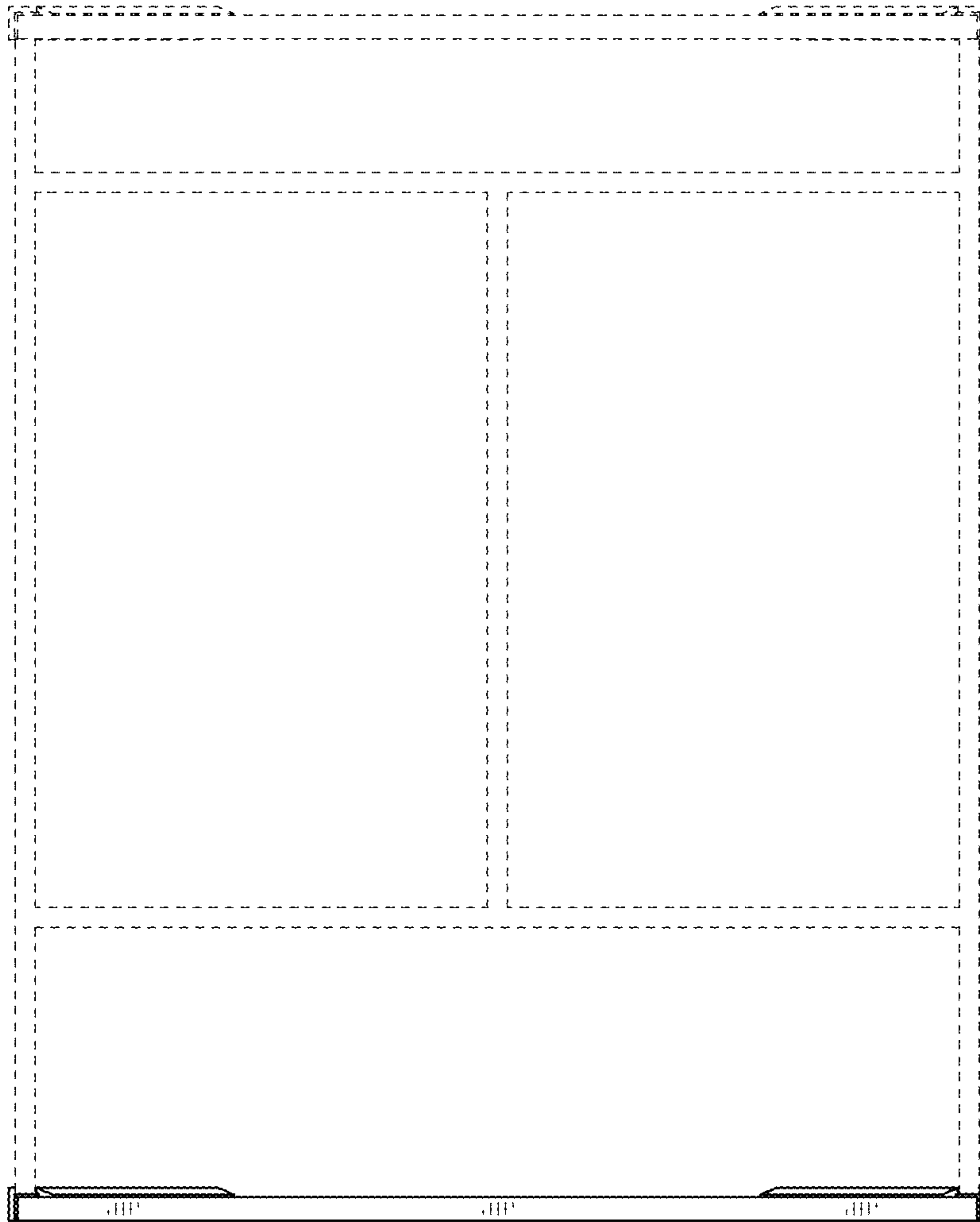


FIG. 6