



US00D989533S

(12) **United States Design Patent** (10) **Patent No.:** **US D989,533 S**
Zhao et al. (45) **Date of Patent:** **** Jun. 20, 2023**

(54) **CHAIR**

(71) Applicant: **ZHEJIANG LINYA CO., LTD,**
Zhejiang (CN)
(72) Inventors: **Niangao Zhao,** Zhejiang (CN); **Xiaolei Fu,** Zhejiang (CN); **Xianjin Zhu,** Zhejiang (CN)
(73) Assignee: **ZHEJIANG LINYA CO., LTD,**
Zhejiang (CN)

(**) Term: **15 Years**

(21) Appl. No.: **29/802,075**

(22) Filed: **Aug. 3, 2021**

(30) **Foreign Application Priority Data**

Mar. 22, 2021 (CN) 202130153229.X

(51) **LOC (14) Cl.** **06-06**

(52) **U.S. Cl.**
USPC **D6/716.4**

(58) **Field of Classification Search**
USPC ... D6/716.1-716.5, 717, 368, 334, 336, 367,
D6/374, 375, 335, 340
CPC A47C 1/02; A47C 1/022; A47C 1/024;
A47C 3/12; A47C 3/18; A47C 3/026;
A47C 7/18; A47C 7/36; A47C 7/40;
A47C 7/46; A47C 1/03294; A47C 1/034;
A47C 1/032; A47C 1/031; A47C 1/023;
A47C 3/029; A47C 3/027; A47C 3/04;
A47C 4/03; A47C 4/04; A47C 5/12;
A47C 7/029; A47C 7/02; A47C 7/28;
A47C 7/32; A47C 7/38; A47C 7/44;
A47C 7/54; A47C 7/425; A47C 7/445;
A47C 31/023; A47C 31/04; A47C 1/14;
A47C 1/03244; A47C 4/20; A47C 4/28;
A47C 4/30; A47C 4/42; A47C 4/46;
A47C 4/54; A47C 4/286; A47C 7/06;
A47C

(Continued)

(56) **References Cited**

U.S. PATENT DOCUMENTS

D182,284 S * 3/1958 Hrach D6/369
D182,730 S * 5/1958 Jakobsen D6/716.4
(Continued)

FOREIGN PATENT DOCUMENTS

EM 008884191-0008 * 3/2022
EM 008884191-0009 * 3/2022
GB 6182422 * 12/2021

OTHER PUBLICATIONS

Linya Outdoor, posted unknown [online], [retrieved Feb. 14, 2023].
Retrieved from internet, <https://www.linyaoutdoor.com/patio-1>
(Date:2023) (Year: 2023).*

(Continued)

Primary Examiner — Christian P. McLean
Assistant Examiner — Kristopher Michael Blechschmidt
(74) *Attorney, Agent, or Firm* — JCIP Global Inc.

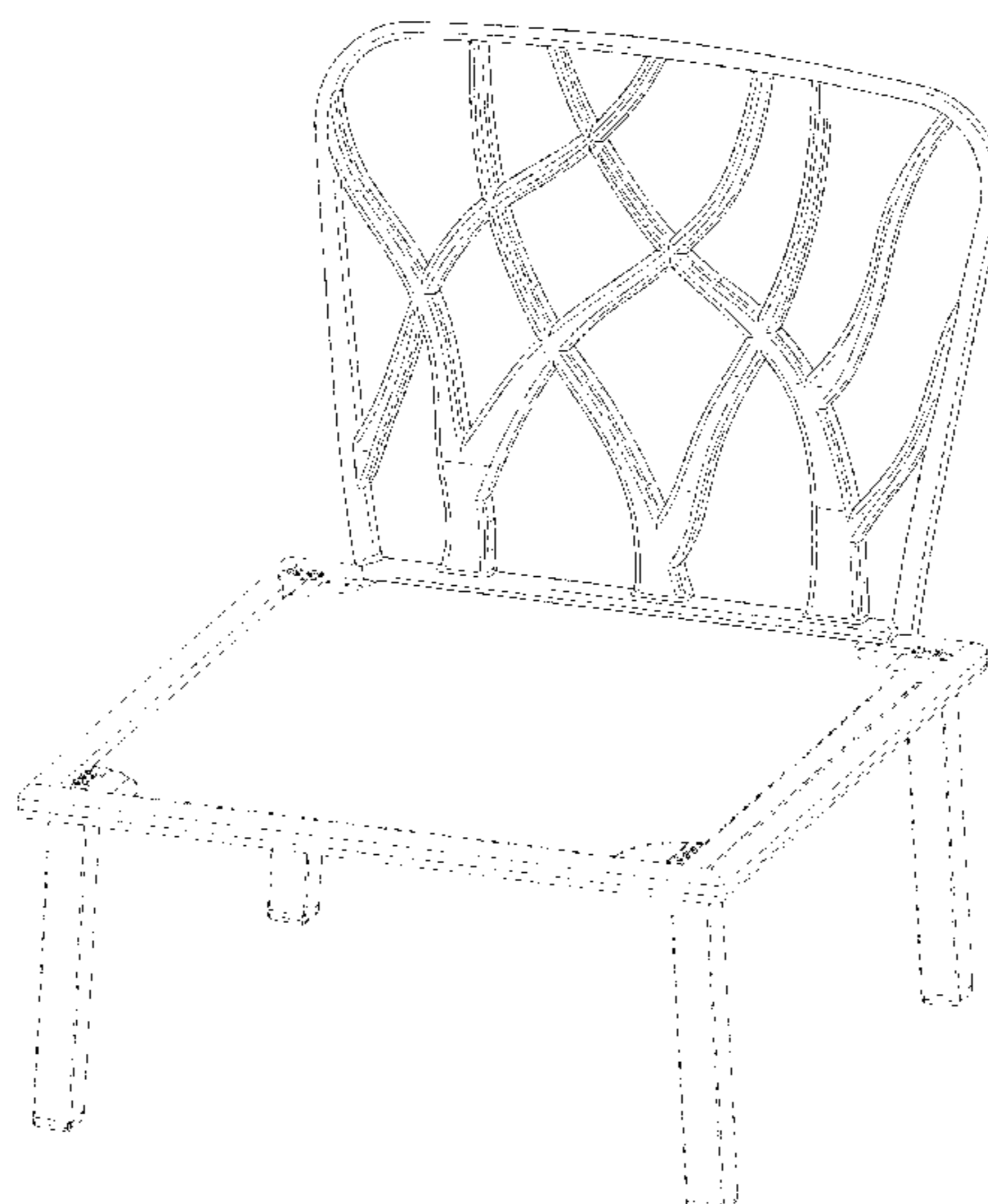
(57) **CLAIM**

The ornamental design for a chair, as shown and described.

DESCRIPTION

FIG. 1 is a perspective view of a chair showing our new design;
FIG. 2 is a front view thereof;
FIG. 3 is a rear view thereof;
FIG. 4 is a left side view thereof;
FIG. 5 is a right side view thereof;
FIG. 6 is a top view thereof;
FIG. 7 is a bottom view thereof; and,
FIG. 8 is a perspective view of the chair of FIG. 1 in a using state.
The broken line showing of portions of the chair in FIGS. 1-8 forms no part of the claimed design.

1 Claim, 8 Drawing Sheets



(58) **Field of Classification Search**

CPC 7/24; A47C 7/66; A47C 7/68; A47C 7/62;
 A47C 7/624; A47C 7/622; A47C 7/407;
 A47C 9/06; A47C 9/00; A47C 9/10;
 A47C 9/105; A47C 11/00; A47C 11/005;
 A47C 15/00; A47C 21/00; A47C 31/00;
 A47C 4/02; A47C 7/14; A47C 7/402;
 A47C 7/405; A47C 7/462; A47C 7/282;
 A47C 7/285; A47C 1/03255; A47C 1/11;
 A47C 1/143; A47C 3/02; A47C 3/025;
 A47C 7/002; A47C 7/004; A47C 7/185;
 A47C 9/007; B60R 2/0284; B60R 2/062;
 B60R 22/001; B60R 22/24; B60R 22/28;
 B60R 22/58; B60R 22/64; B60R 22/68;
 B60R 22/80; B60R 22/99; B60R 22/245;
 B60R 22/643; B60R 22/646; B60R
 22/665; B60R 22/686; B60R 22/688;
 B60R 22/803; B60R 22/986; B60R
 22/914; B60R 22/995; F16B 2/08; F16B
 45/00; Y10S 297/01; Y10S 35/901; A47D
 13/10; B60N 2/00; B60N 2/20; B60N
 2/58; B60N 2/64; B60N 2/646; B60N
 2/686; B60N 2/86; B60N 2/803; B60N
 2/806; B60N 2/04; A47B 5/00; A01M
 31/00; A01M 31/02; A01M 31/025; A45F
 3/22; A45F 3/24; A47G 9/06; A61G 7/10;
 A63B 63/00; B25H 1/14; B25H 1/12;

B25H 1/04; E04H 15/30; F16M 11/22;
 F42B 12/38; F41A 23/14; F41A 23/16;
 F41A 23/18; F41C 27/00

See application file for complete search history.

(56)

References Cited

U.S. PATENT DOCUMENTS

D197,969	S	*	4/1964	Hamilton	D6/716.4
D214,373	S	*	6/1969	Parker	D6/716.4
D329,557	S	*	9/1992	Hubert	D6/369
D462,859	S	*	9/2002	Li	D6/716.4
D538,086	S	*	3/2007	Shake	D6/716.4
D582,701	S	*	12/2008	Thompson	D6/370
D584,909	S	*	1/2009	Gochman	D6/716.4
D692,711	S	*	11/2013	Hallberg	D6/716.4
D818,755	S	*	5/2018	Clark	D6/716.4
D823,625	S	*	7/2018	Oliveira	D6/716.4
D887,192	S	*	6/2020	Cantarutti	D6/375

OTHER PUBLICATIONS

Giantex, posted Jun. 9, 2017 [online], [retrieved Feb. 14, 2023].
 Retrieved from internet, [\(https://www.amazon.com/Giantex-Stackable-Hollow-Out-Geometric-Furniture/dp/B07HH3K4SK/ref\(Date:2023\)\)](https://www.amazon.com/Giantex-Stackable-Hollow-Out-Geometric-Furniture/dp/B07HH3K4SK/ref(Date:2023))
 (Year: 2017).*

* cited by examiner

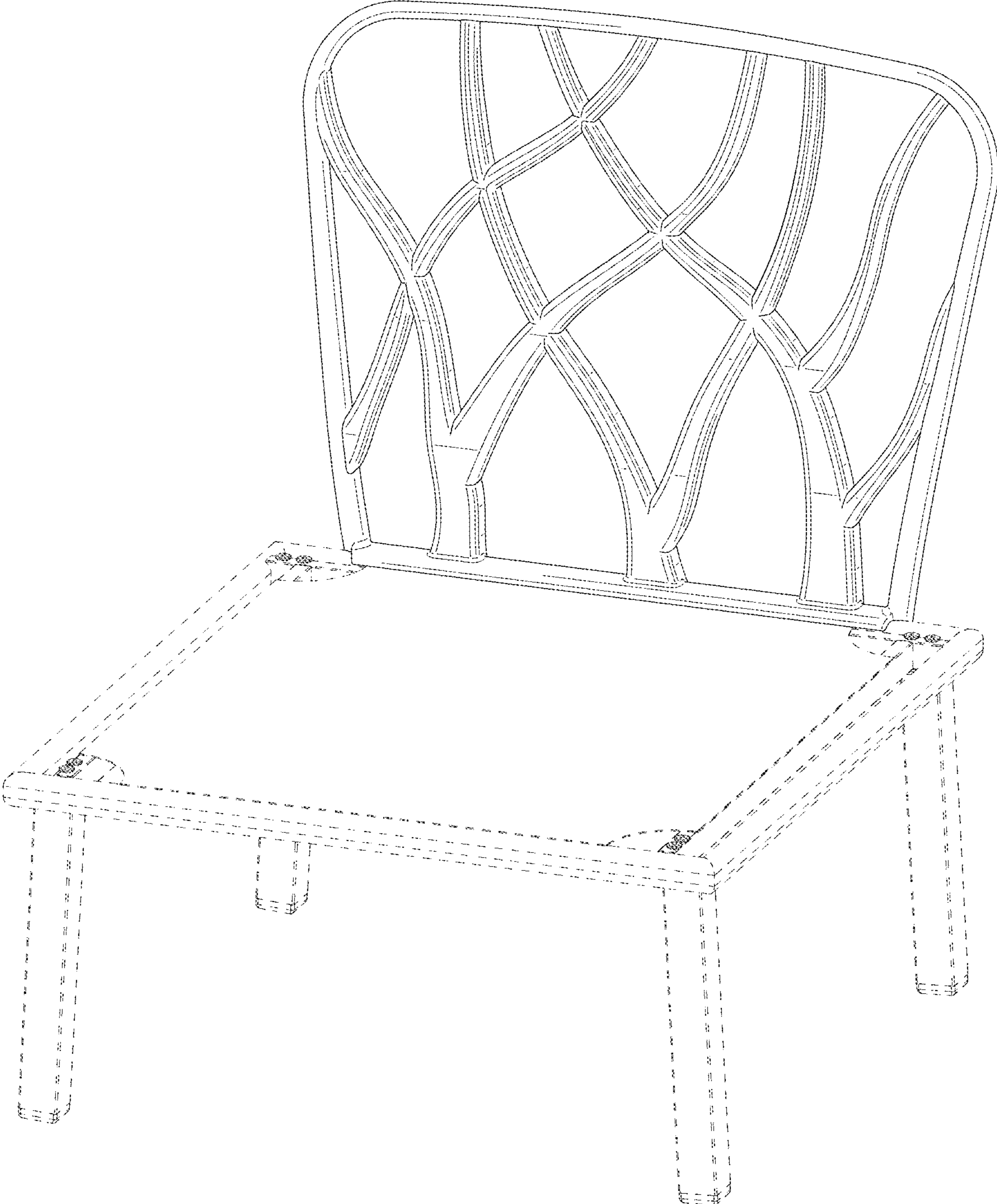


FIG. 1

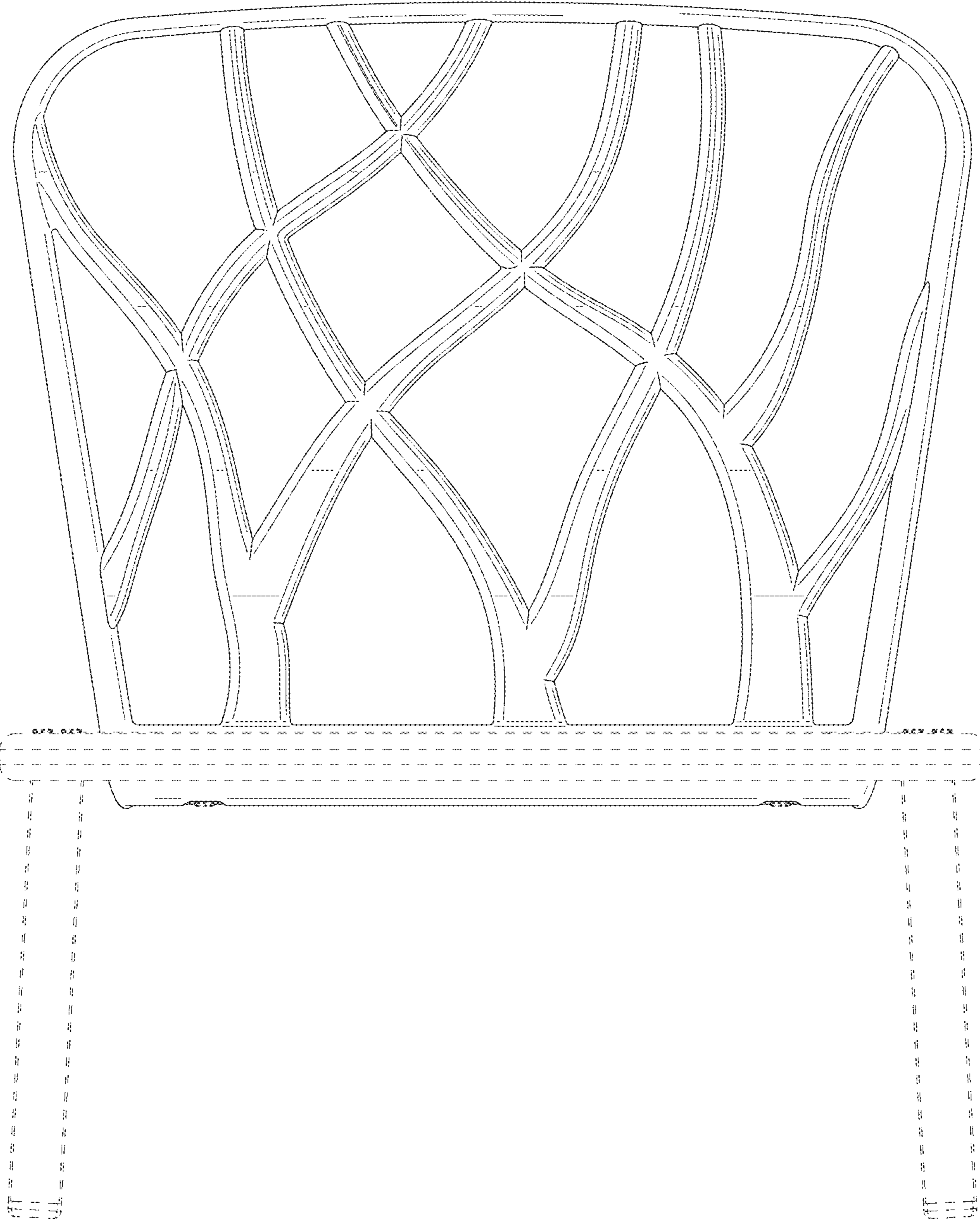


FIG. 2

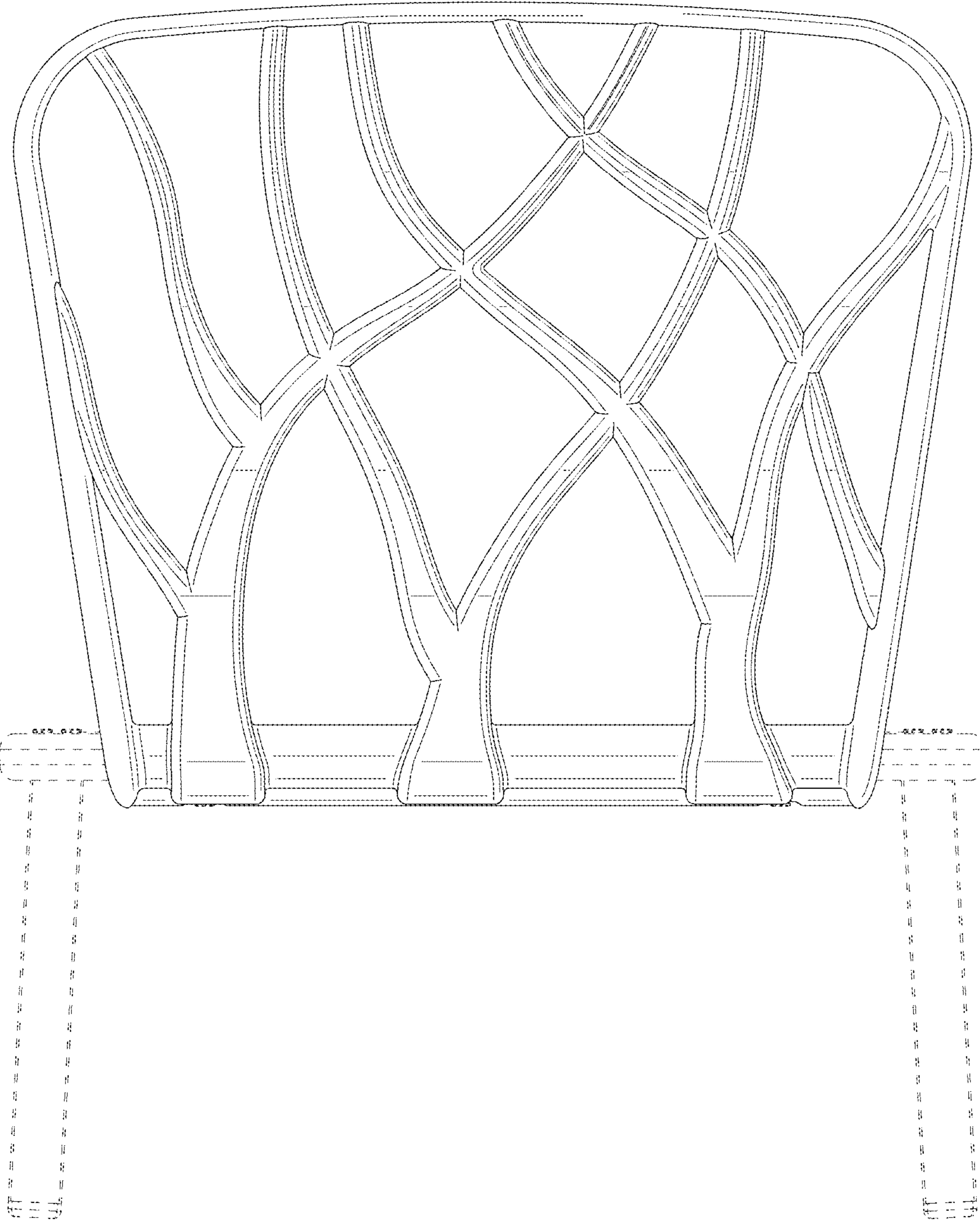


FIG. 3

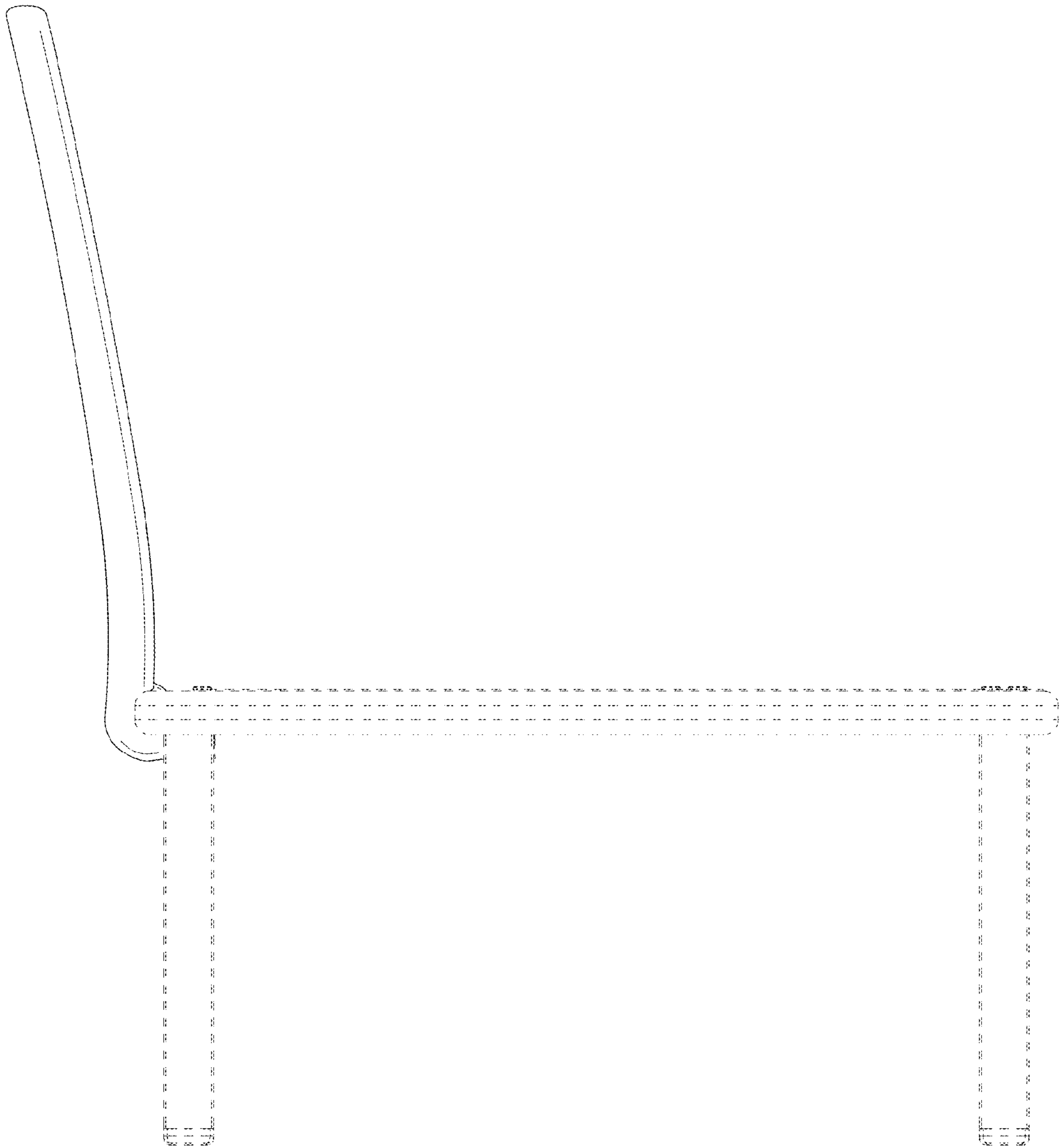


FIG. 4

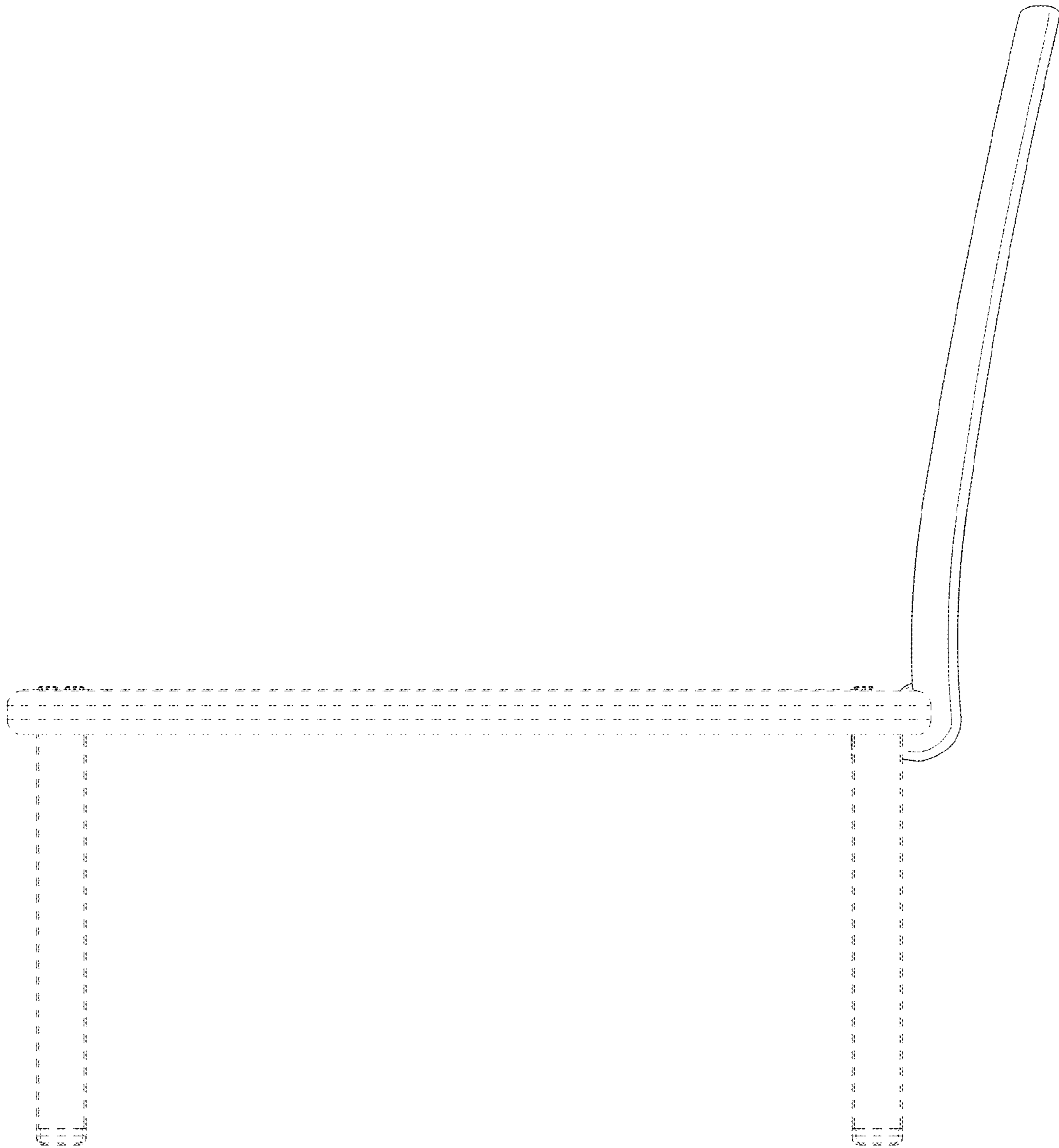


FIG. 5

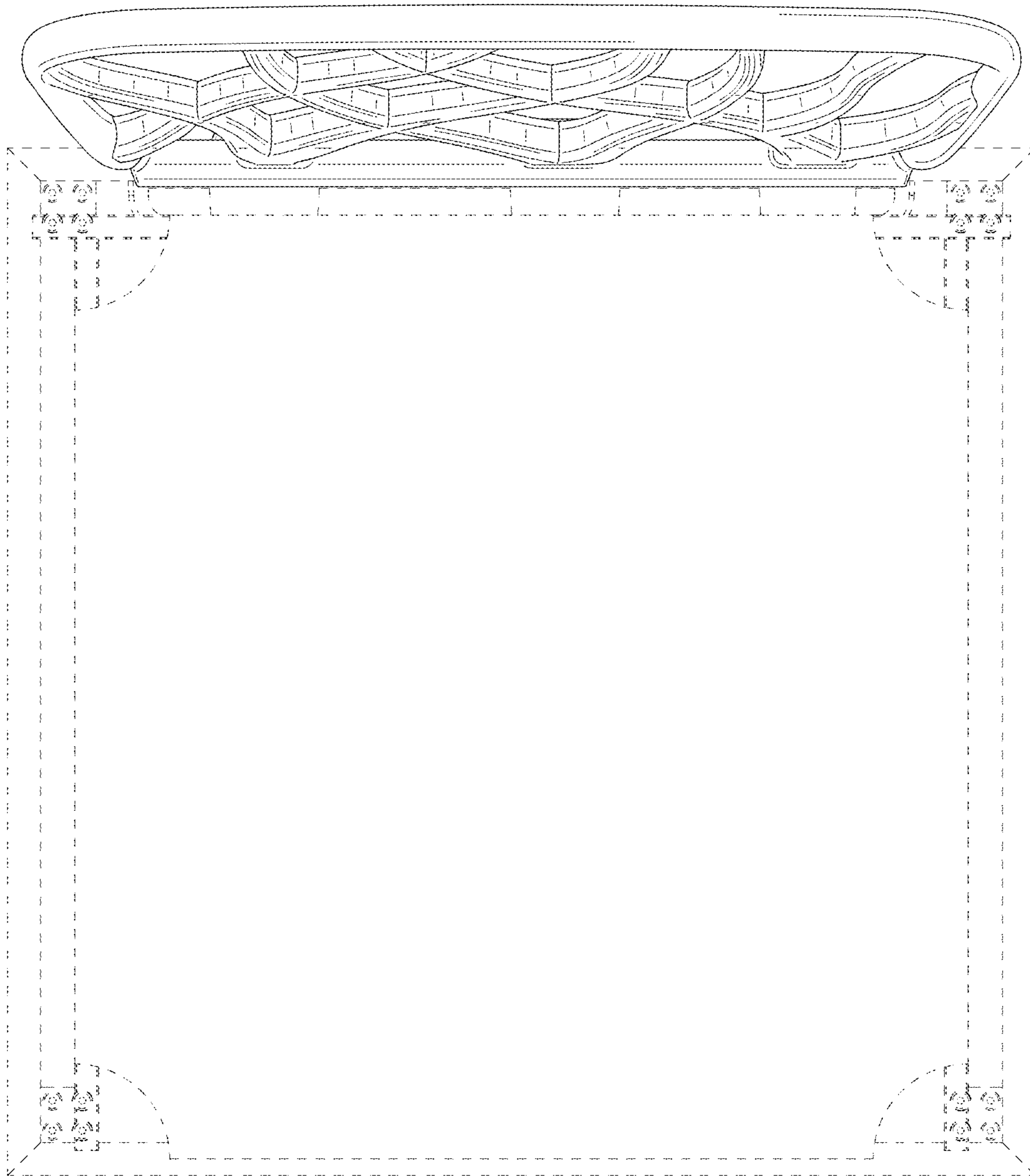


FIG. 6

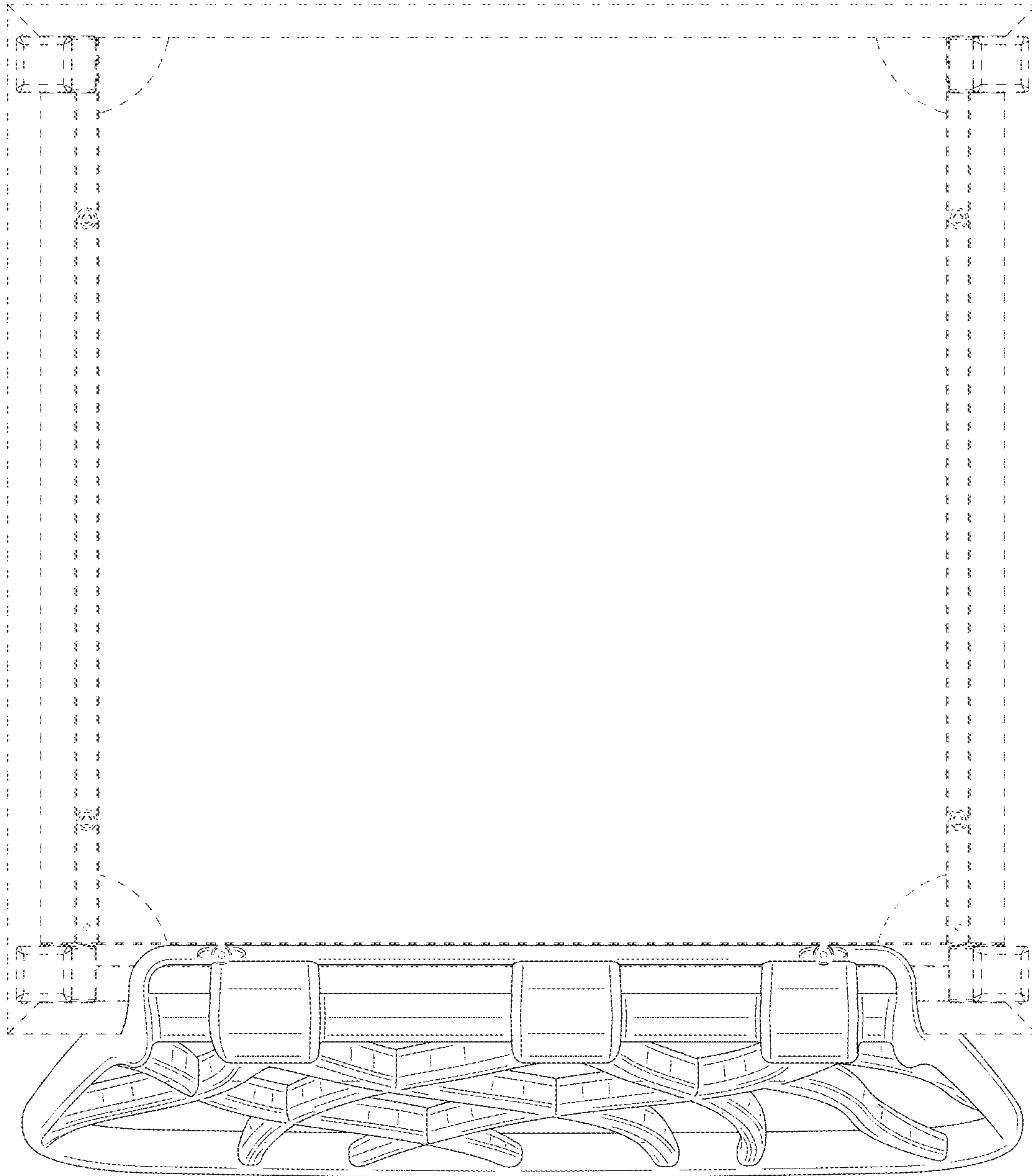


FIG. 7

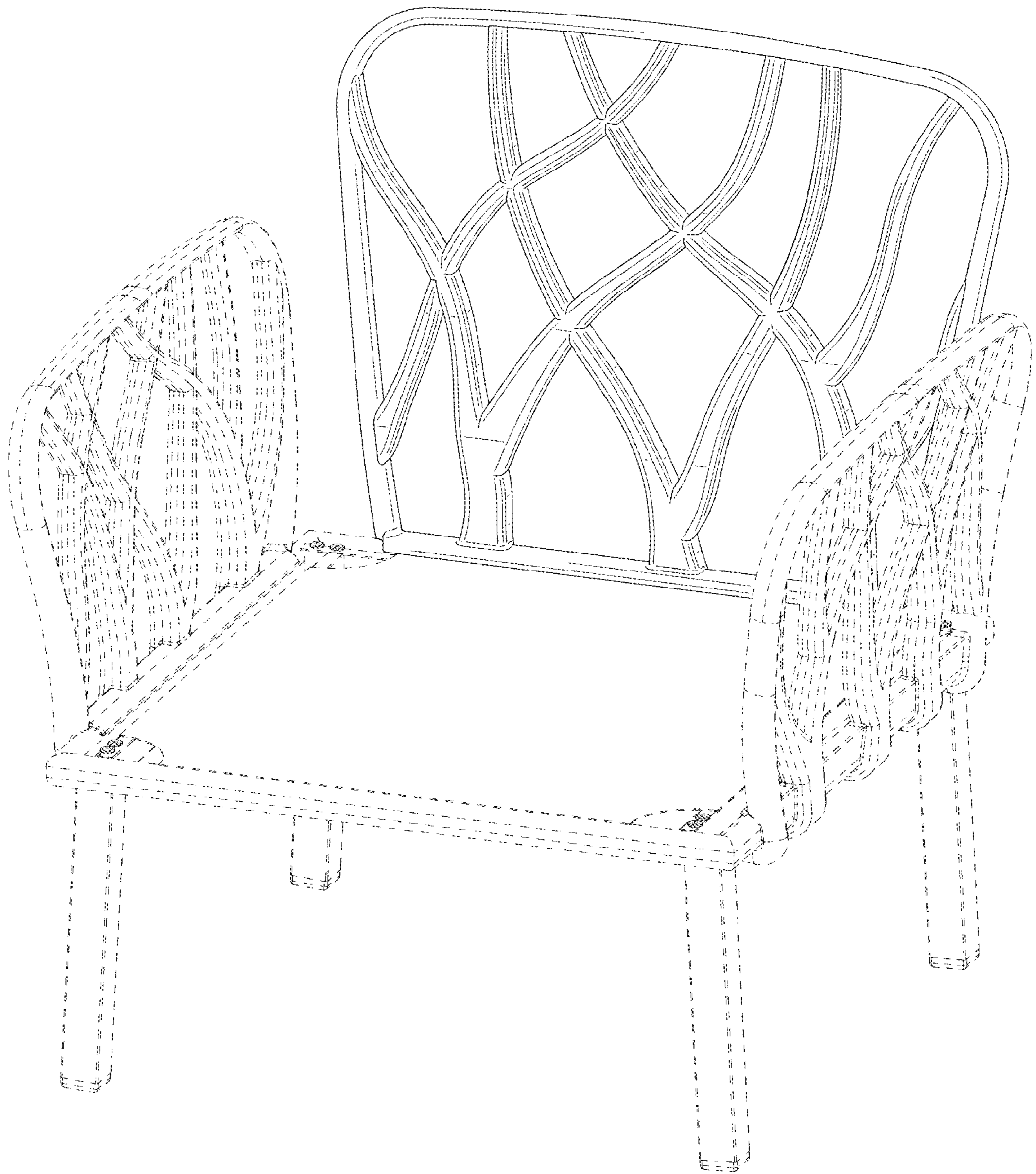


FIG. 8