



US00D989531S

(12) **United States Design Patent**
Palma

(10) **Patent No.:** **US D989,531 S**

(45) **Date of Patent:** **** Jun. 20, 2023**

(54) **CHAIR BASE**

(71) Applicant: **Alberto Palma**, Costa Mesa, CA (US)

(72) Inventor: **Alberto Palma**, Costa Mesa, CA (US)

(**) Term: **15 Years**

(21) Appl. No.: **29/753,030**

(22) Filed: **Sep. 29, 2020**

(51) **LOC (14) Cl.** **06-06**

(52) **U.S. Cl.**
USPC **D6/708.23**

(58) **Field of Classification Search**
USPC D6/334–336, 364, 365, 366, 367, 708.23,
D6/708.24

CPC A47C 7/002; A47C 7/004; A47C 7/006;
A47C 7/18; A47C 7/24; A47C 7/48;
A47C 3/20; A47C 3/24

See application file for complete search history.

(56) **References Cited**

U.S. PATENT DOCUMENTS

D447,895 S * 9/2001 Chen D6/708.23
D507,436 S * 7/2005 Chao D6/708.23

D568,624 S * 5/2008 Wen D6/366
D665,603 S * 8/2012 Huang D6/708.23
D718,544 S * 12/2014 Lu D6/366

* cited by examiner

Primary Examiner — Mimoso De

(74) *Attorney, Agent, or Firm* — Morland C. Fischer

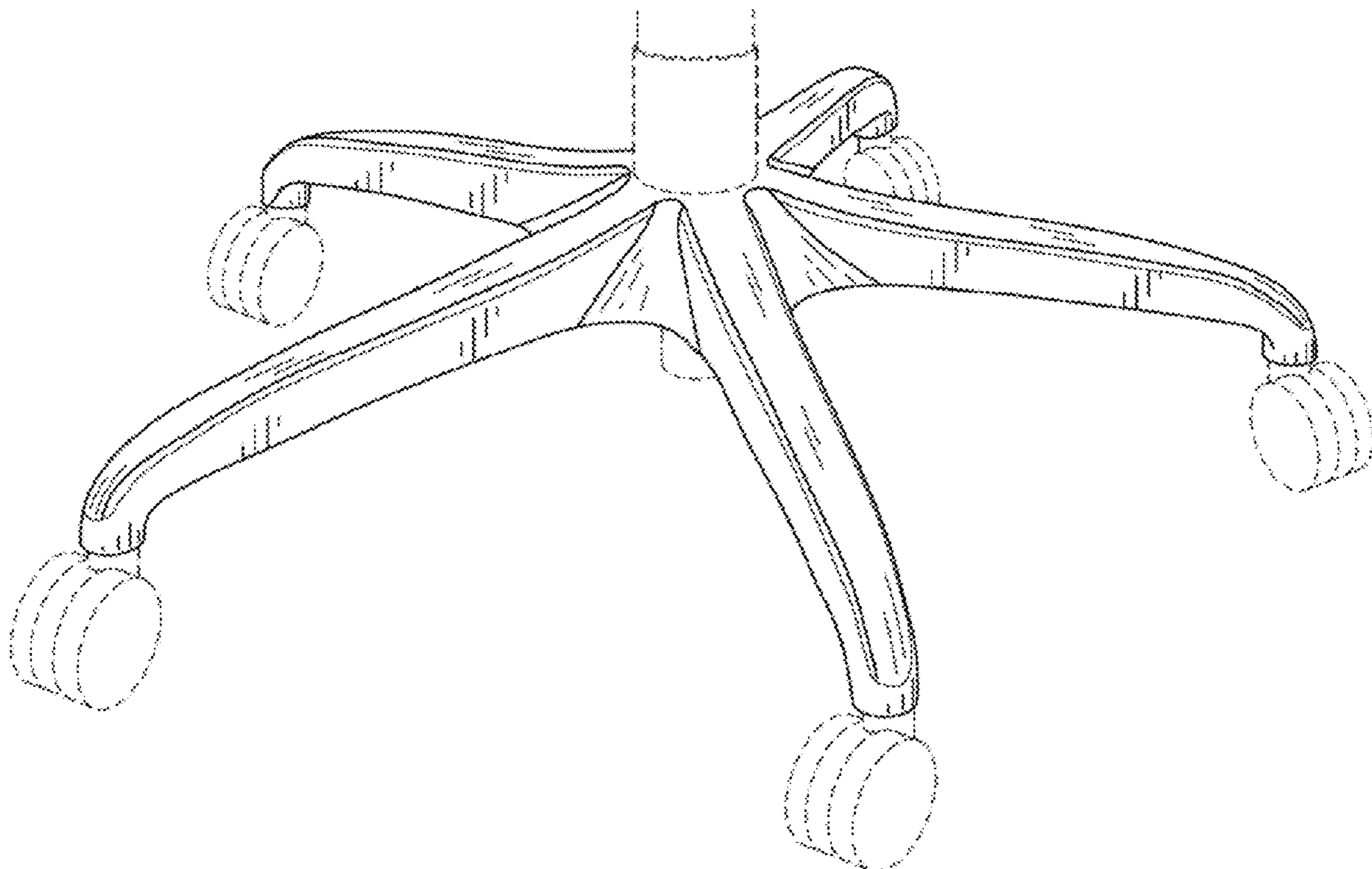
(57) **CLAIM**

The ornamental design for a chair base, as shown and described.

DESCRIPTION

FIG. 1 is a perspective view showing the front, top and opposite sides of a chair base which forms my new design; FIG. 2 is a top plan view thereof; FIG. 3 is a front elevational view thereof; FIG. 4 is a bottom plan view thereof; FIG. 5 is a rear elevational view thereof; FIG. 6 is a left side elevational view thereof; and, FIG. 7 is a right side elevational view thereof. The broken lines in the figures depict portions of the chair base that form no part of the claim.

1 Claim, 4 Drawing Sheets



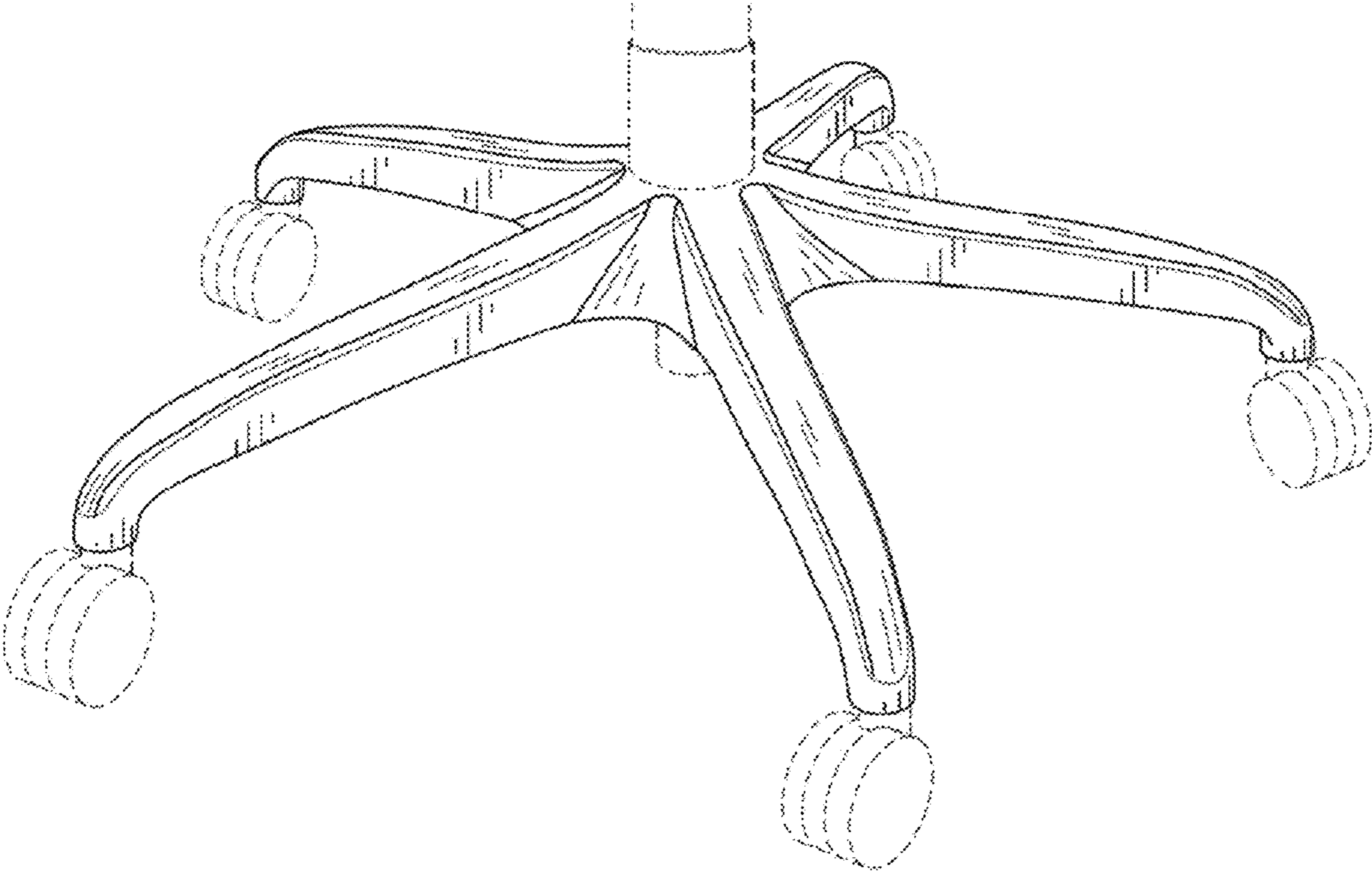


FIG. 1

FIG. 2

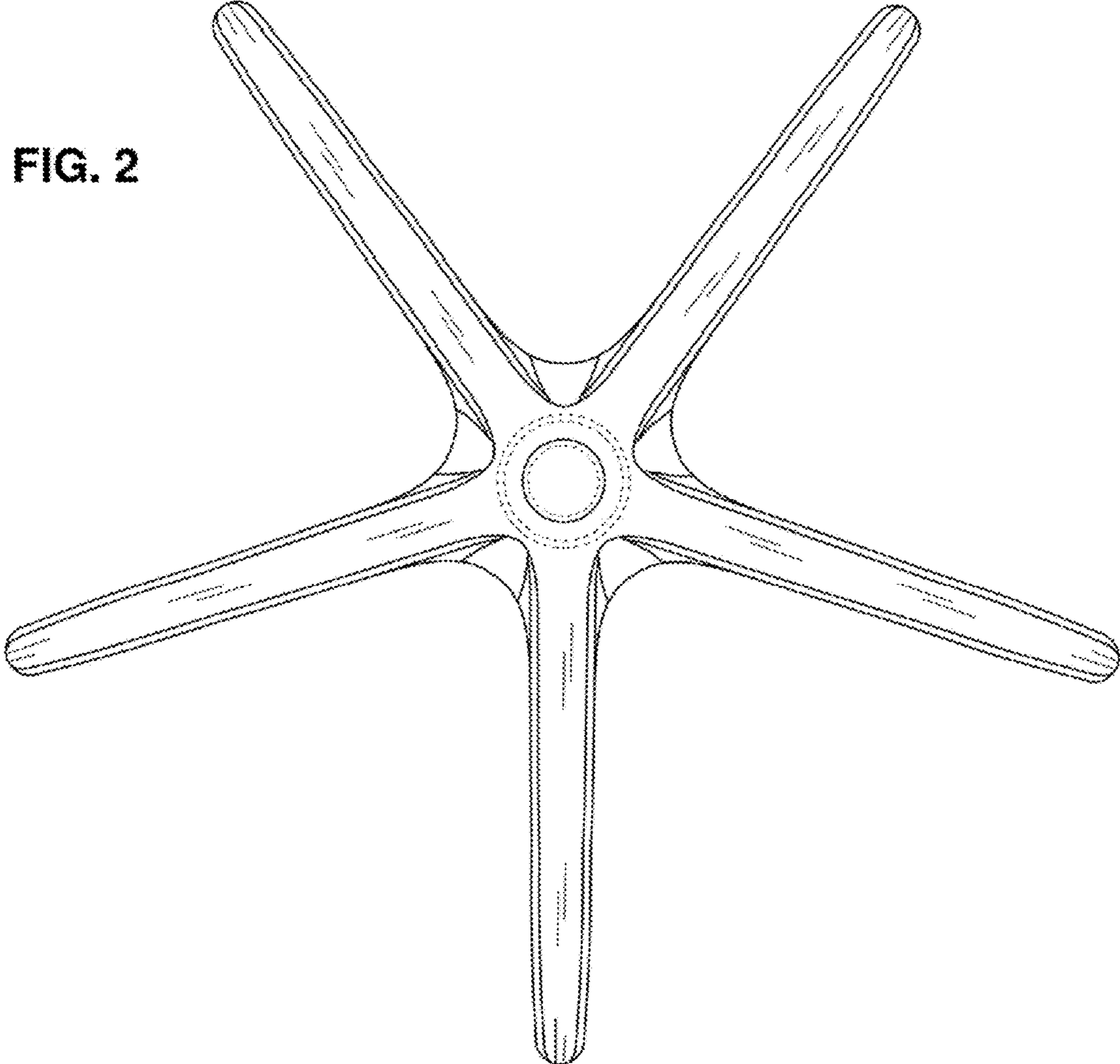


FIG. 3

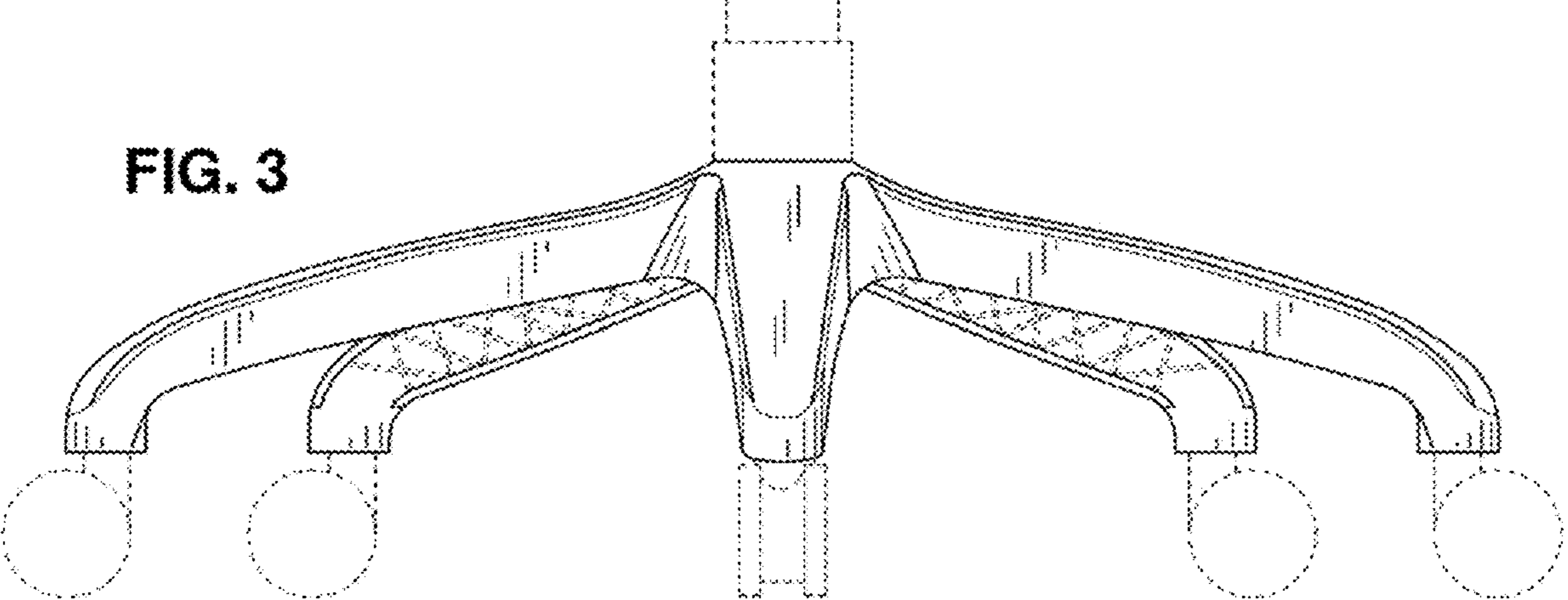


FIG. 4

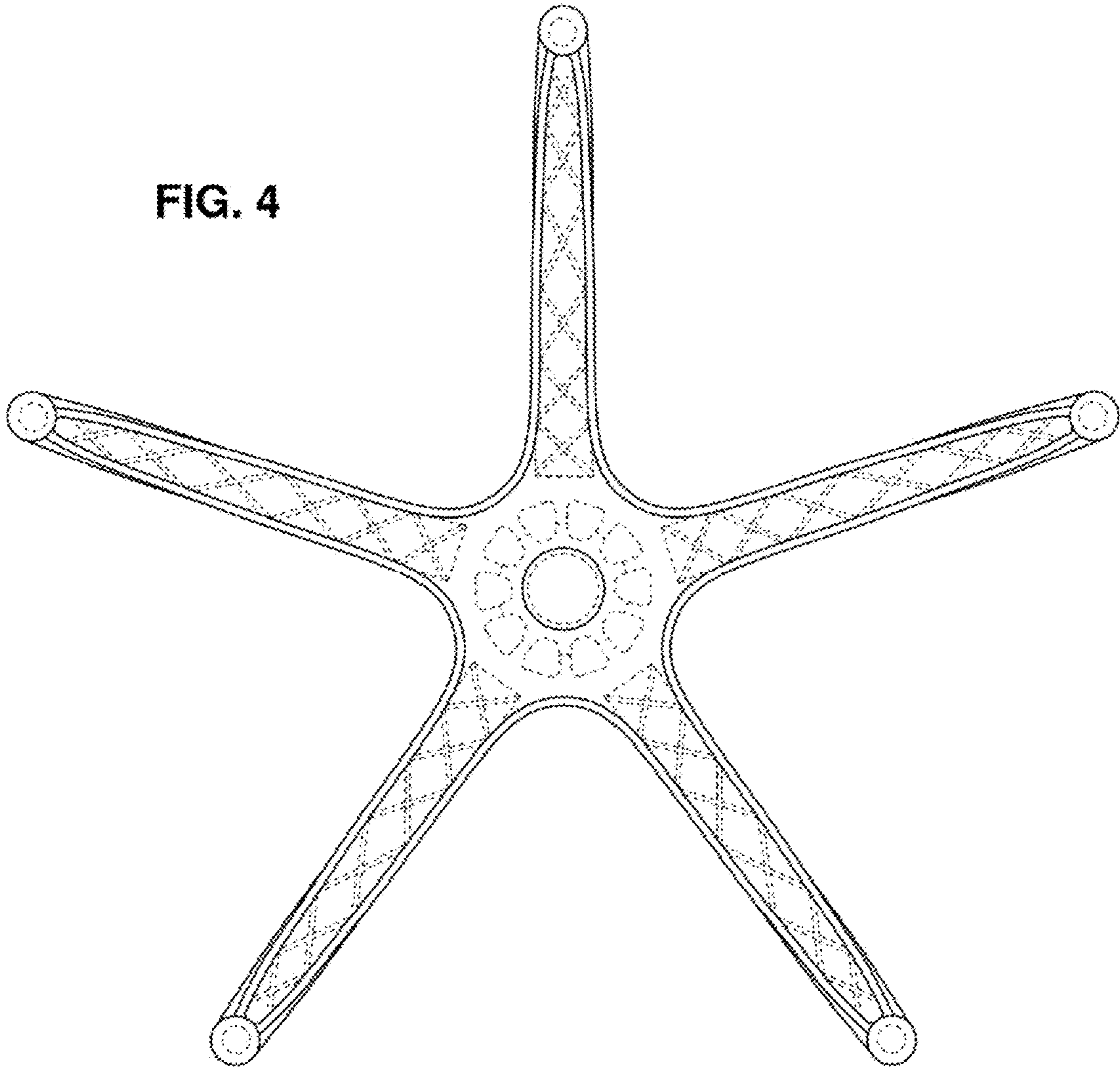
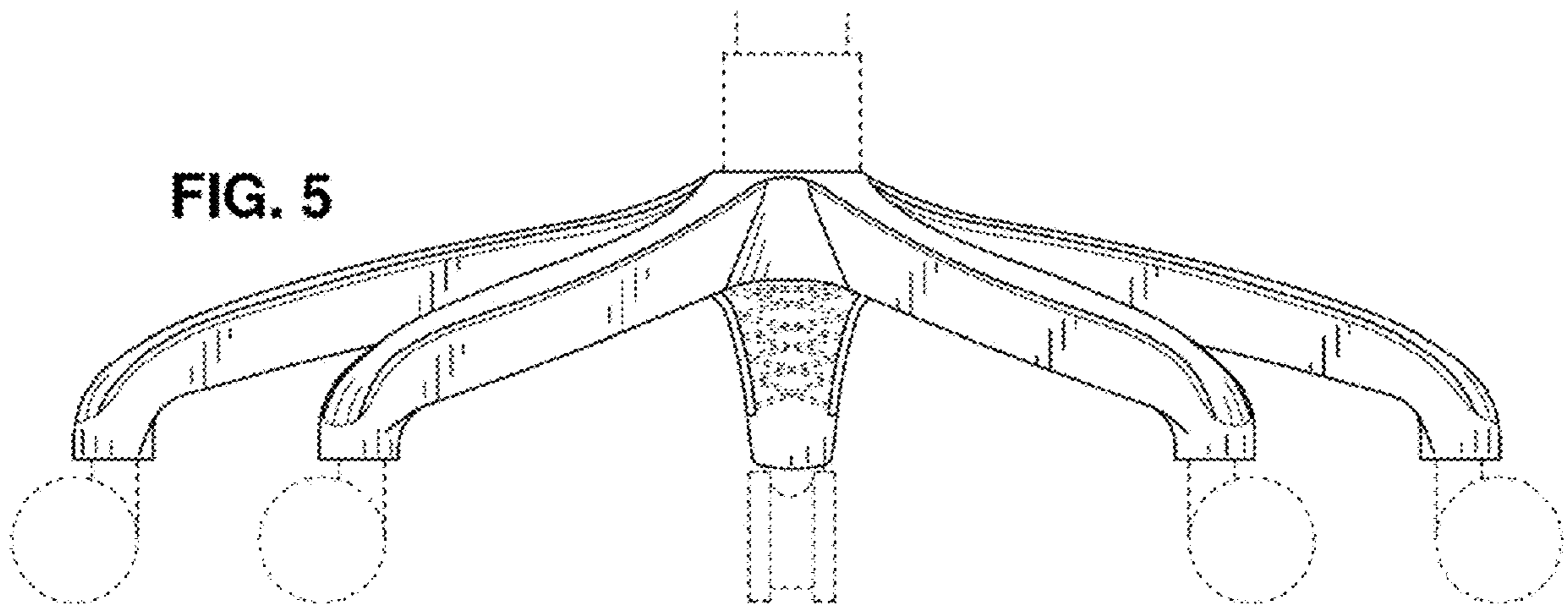


FIG. 5



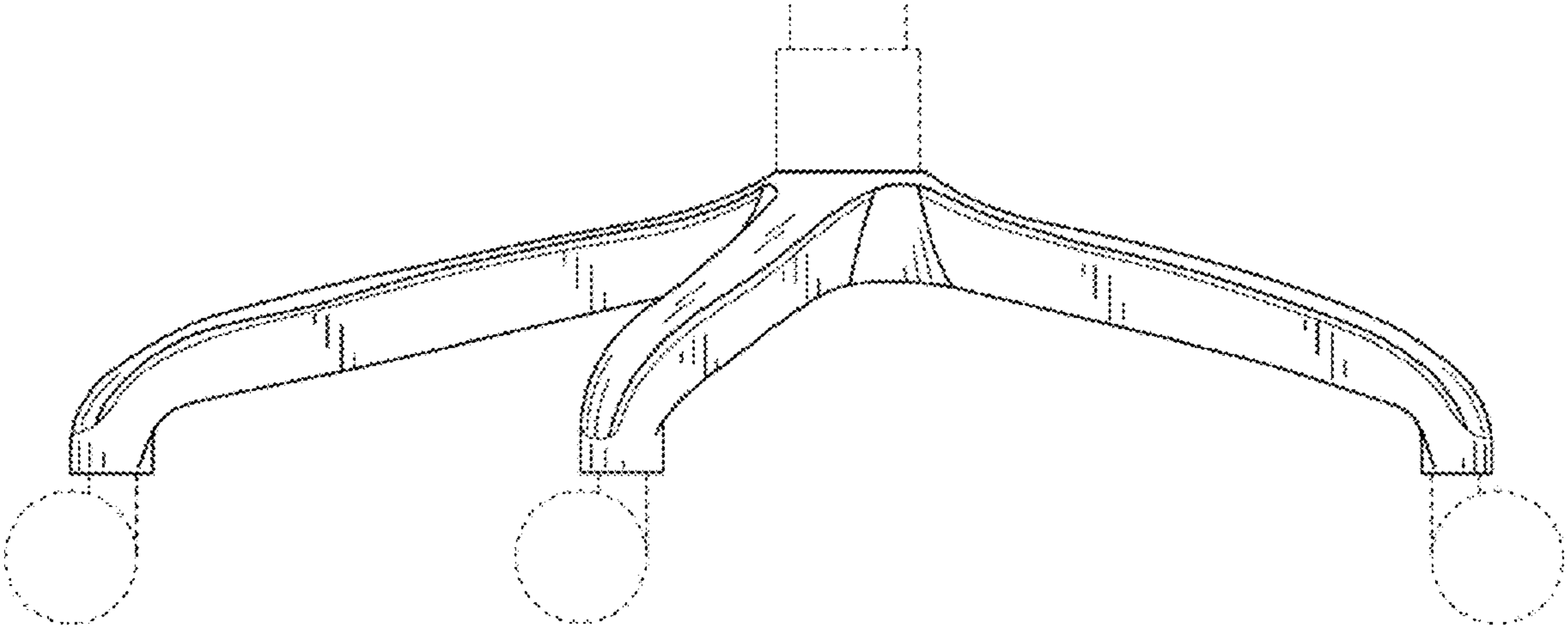


FIG. 6

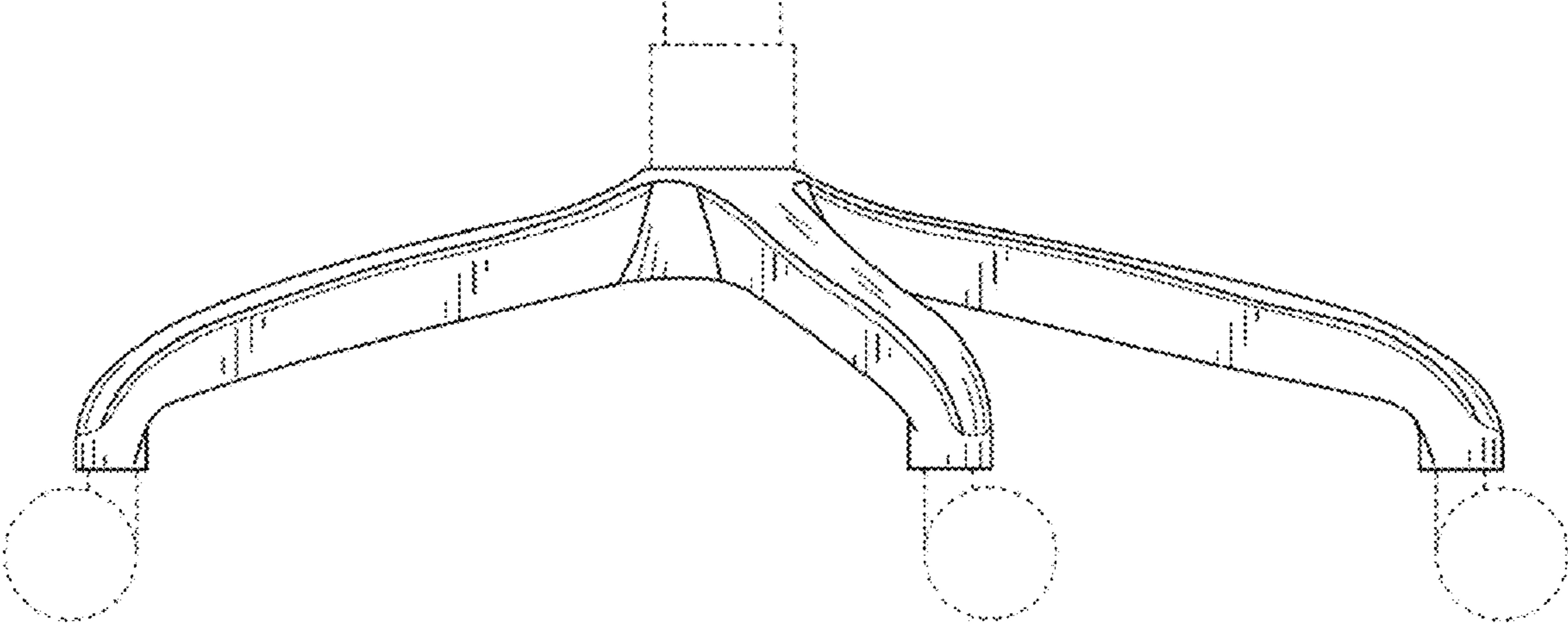


FIG. 7