



US00D989530S

(12) **United States Design Patent**
Zhang

(10) **Patent No.:** **US D989,530 S**
(45) **Date of Patent:** **** Jun. 20, 2023**

(54) **SOLAR TABLE**

FOREIGN PATENT DOCUMENTS

(71) Applicant: **Shenzhen Ouyehua New Energy Co., Ltd.**, Shenzhen (CN)

FR 2749926 A1 * 12/1997 A47B 13/12

(72) Inventor: **Xianwen Zhang**, Shenzhen (CN)

OTHER PUBLICATIONS

(73) Assignee: **Shenzhen Ouyehua New Energy Co., Ltd.**, Shenzhen (CN)

Forp Tables—Maglin <https://www.maglin.com/product/foro-tables/> retrieved from the internet on Feb. 12, 2023.*

(**) Term: **15 Years**

ST1020 Solar charging and connectivity picnic table—SELS—Smart Era Lighting Systems <https://selsled.com/products/st1020-solar-charging-and-connectivity-picnic-table> retrieved from the internet on Feb. 12, 2023.*

(21) Appl. No.: **29/765,951**

Wireless solar charging table—Panasonic Panasonic releases wireless solar charging table—by Katie Gatto, Phys.org, May 23, 2011 <https://phys.org/news/2011-05-panasonic-wireless-solar-table.html> retrieved from the internet on Feb. 12, 2023.*

(22) Filed: **Jan. 13, 2021**

(51) **LOC (14) Cl.** **06-06**

(52) **U.S. Cl.**
USPC **D6/707.2**

* cited by examiner

(58) **Field of Classification Search**
USPC D6/686, 692, 692.3, 707, 707.1, 707.15, D6/707.17–707.19, 707.2, 707.22–707.25
CPC A47B 13/00; A47B 13/081; A47B 13/083; A47B 13/086; A47B 13/088; A47B 13/10; A47B 13/12; A47B 2200/0001
See application file for complete search history.

Primary Examiner — Mary Ann Calabrese

(57) **CLAIM**

The ornamental design for a solar table, as shown and described.

(56) **References Cited**

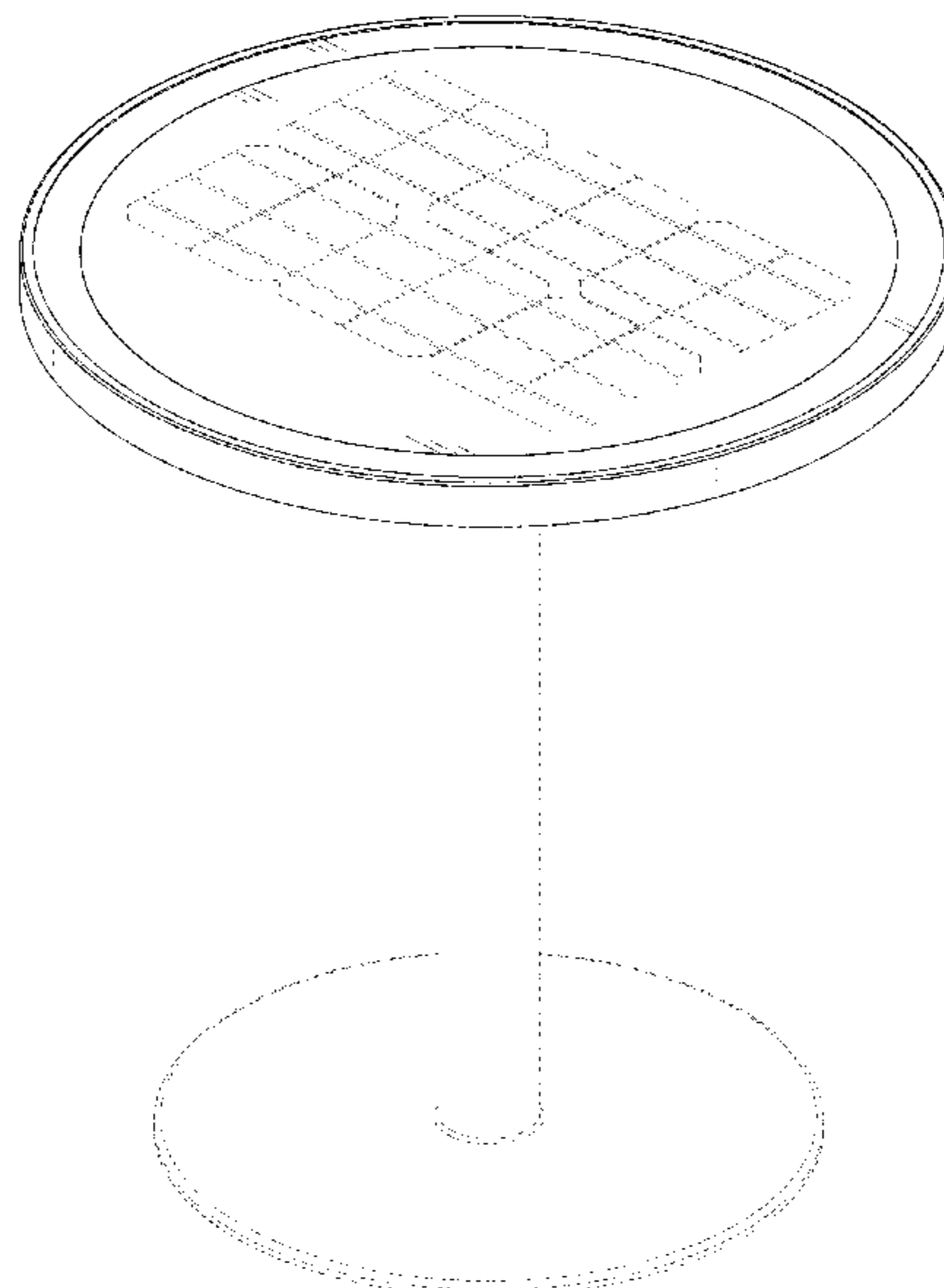
DESCRIPTION

U.S. PATENT DOCUMENTS

D31,157 S *	7/1899	Stover	A47B 13/12
				D6/707.2
5,628,853 A *	5/1997	Edwards	A47B 13/16
				156/212
D559,596 S *	1/2008	Matty	A47C 7/00
				D6/707.2
D690,970 S *	10/2013	Boirun	D6/692.3
D728,288 S *	5/2015	Berkowitz	H01L 31/042
				D6/707.2
9,859,748 B2 *	1/2018	Wang	H01L 31/042
10,388,193 B1 *	8/2019	Wriedt	A47C 7/00
2007/0051282 A1 *	3/2007	Huang	A47B 13/12
				108/27
2010/0064945 A1 *	3/2010	Sierenberg	A47B 37/04
				108/50.02

FIG. 1 is a top, front perspective view of a solar table showing my new design;
FIG. 2 is a front elevational view thereof;
FIG. 3 is a rear elevational view thereof;
FIG. 4 is a left side elevational view thereof;
FIG. 5 is a right side elevational view thereof;
FIG. 6 is a top plan view thereof;
FIG. 7 is a bottom plan view thereof; and,
FIG. 8. is bottom, rear perspective view of the solar table shown in FIG. 1.
The broken lines in the drawings depict portions of the solar table that form no part of the claimed design.

1 Claim, 8 Drawing Sheets



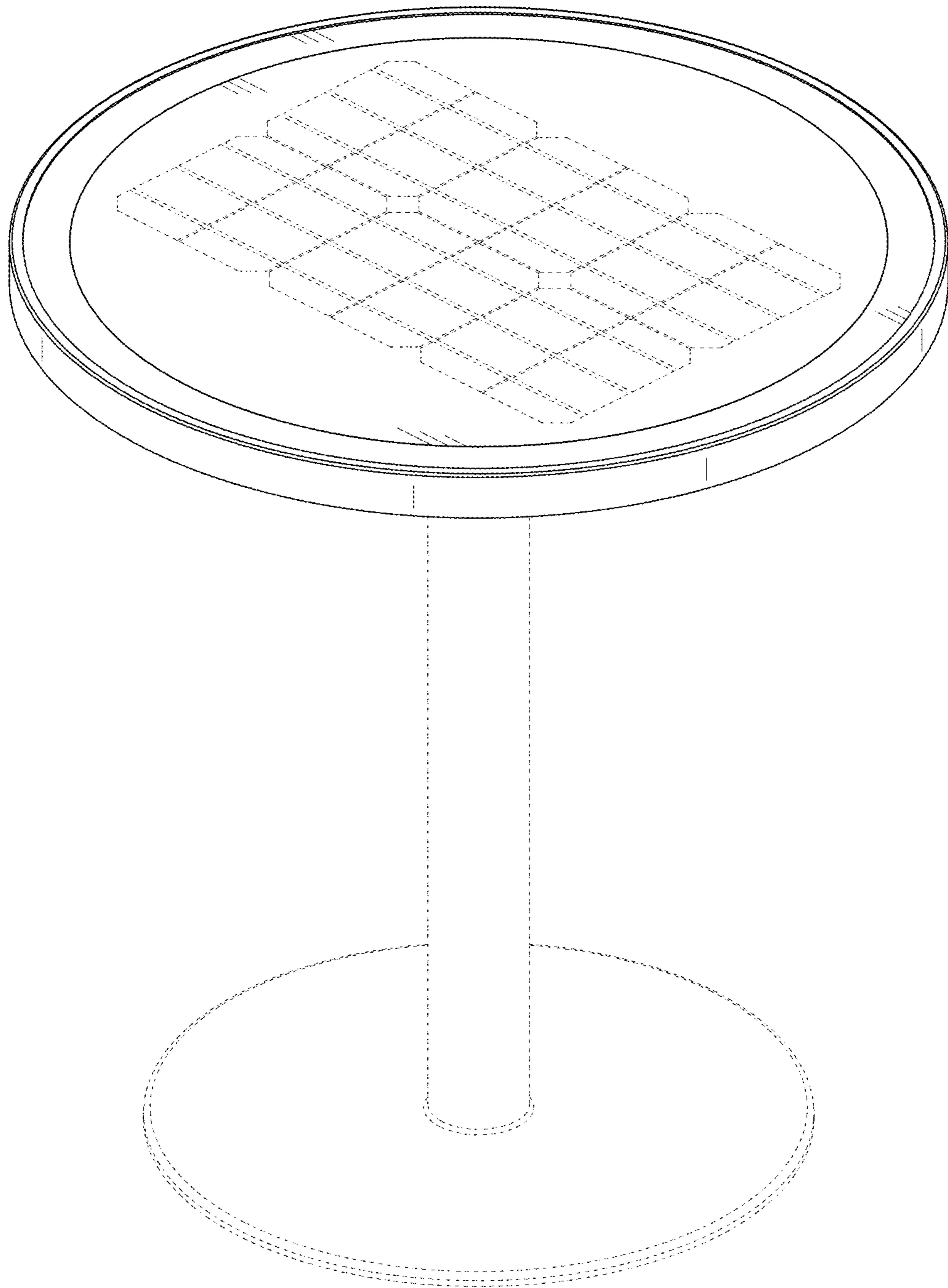


FIG. 1

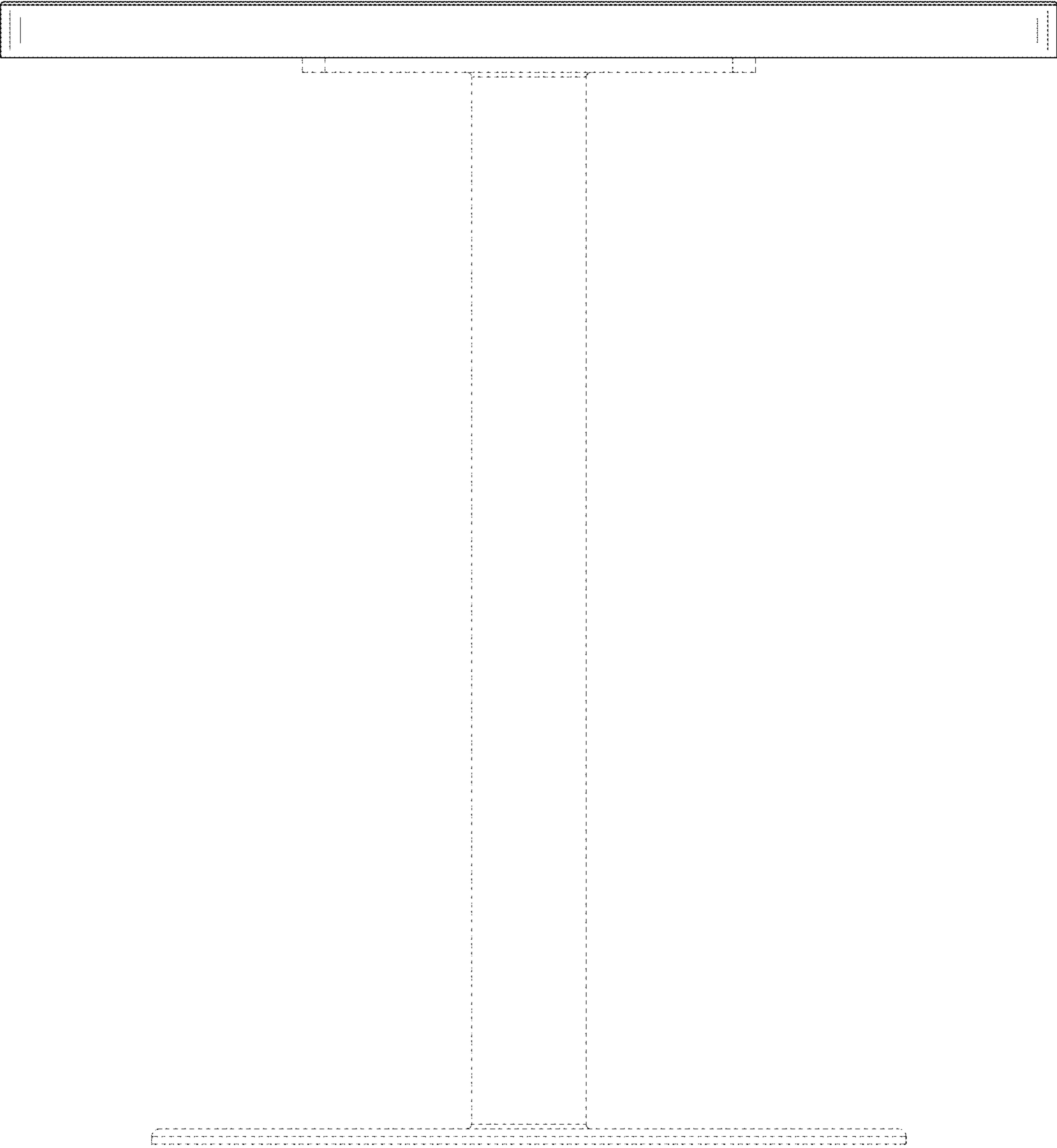


FIG. 2

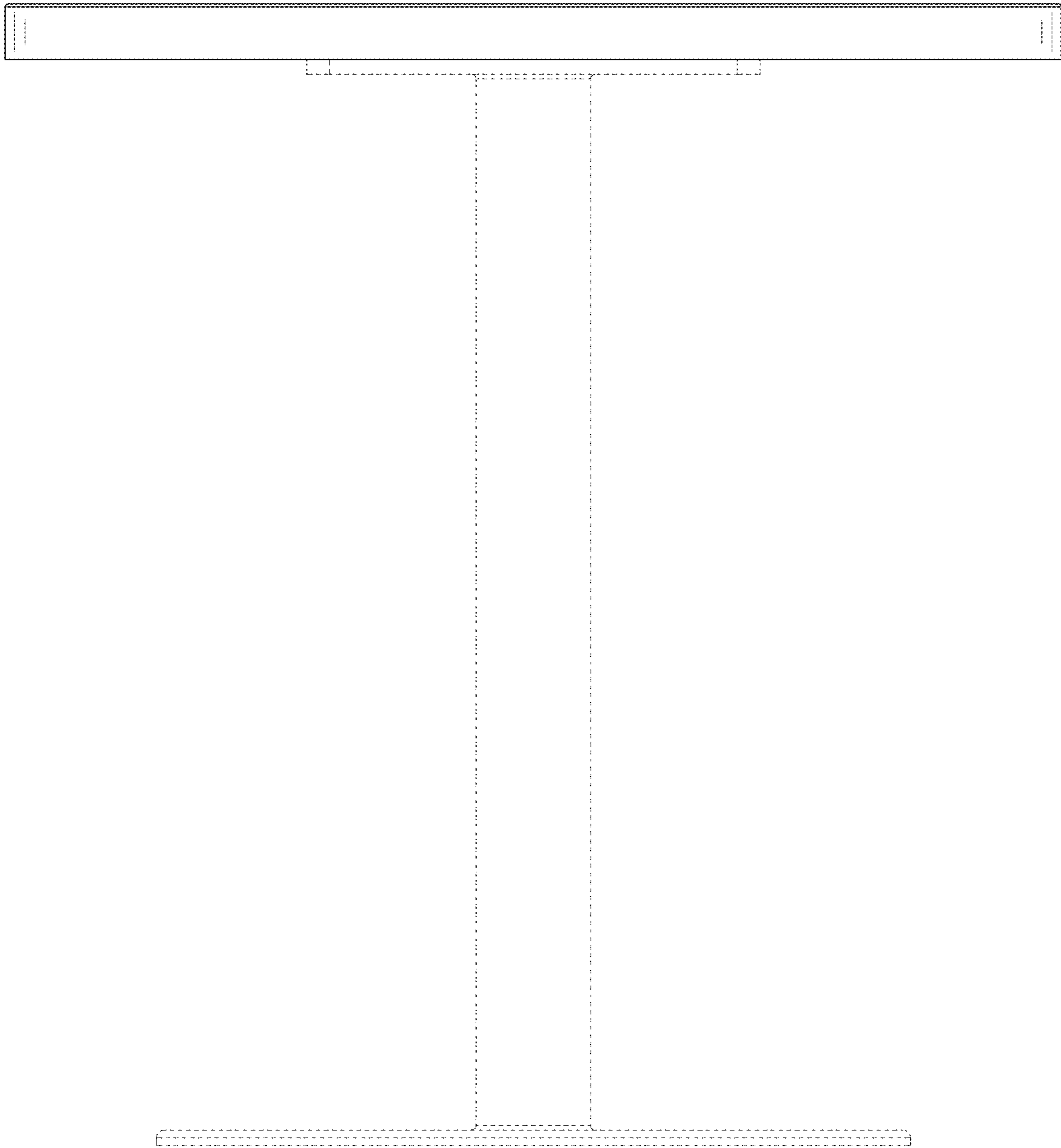


FIG. 3

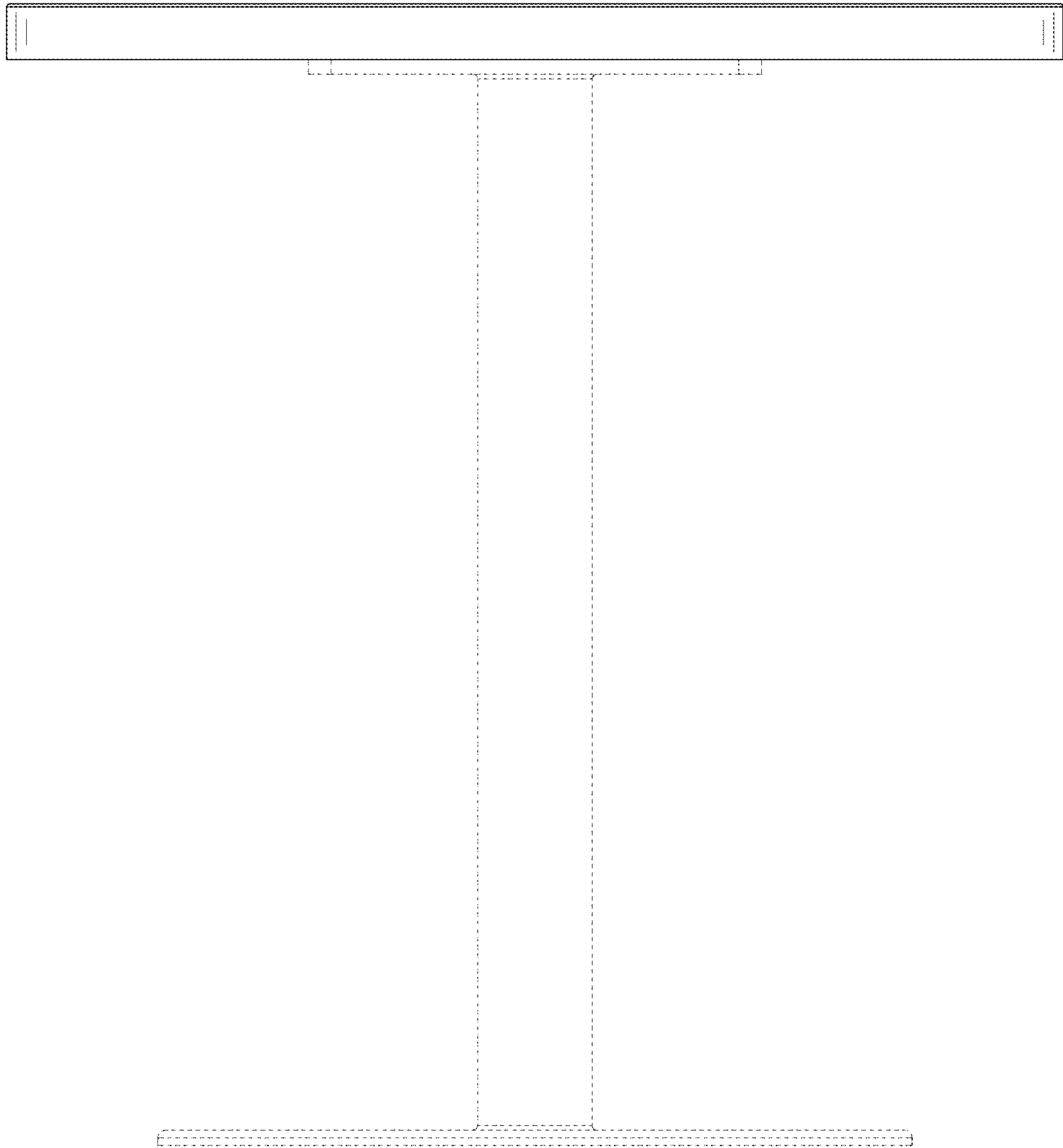


FIG. 4

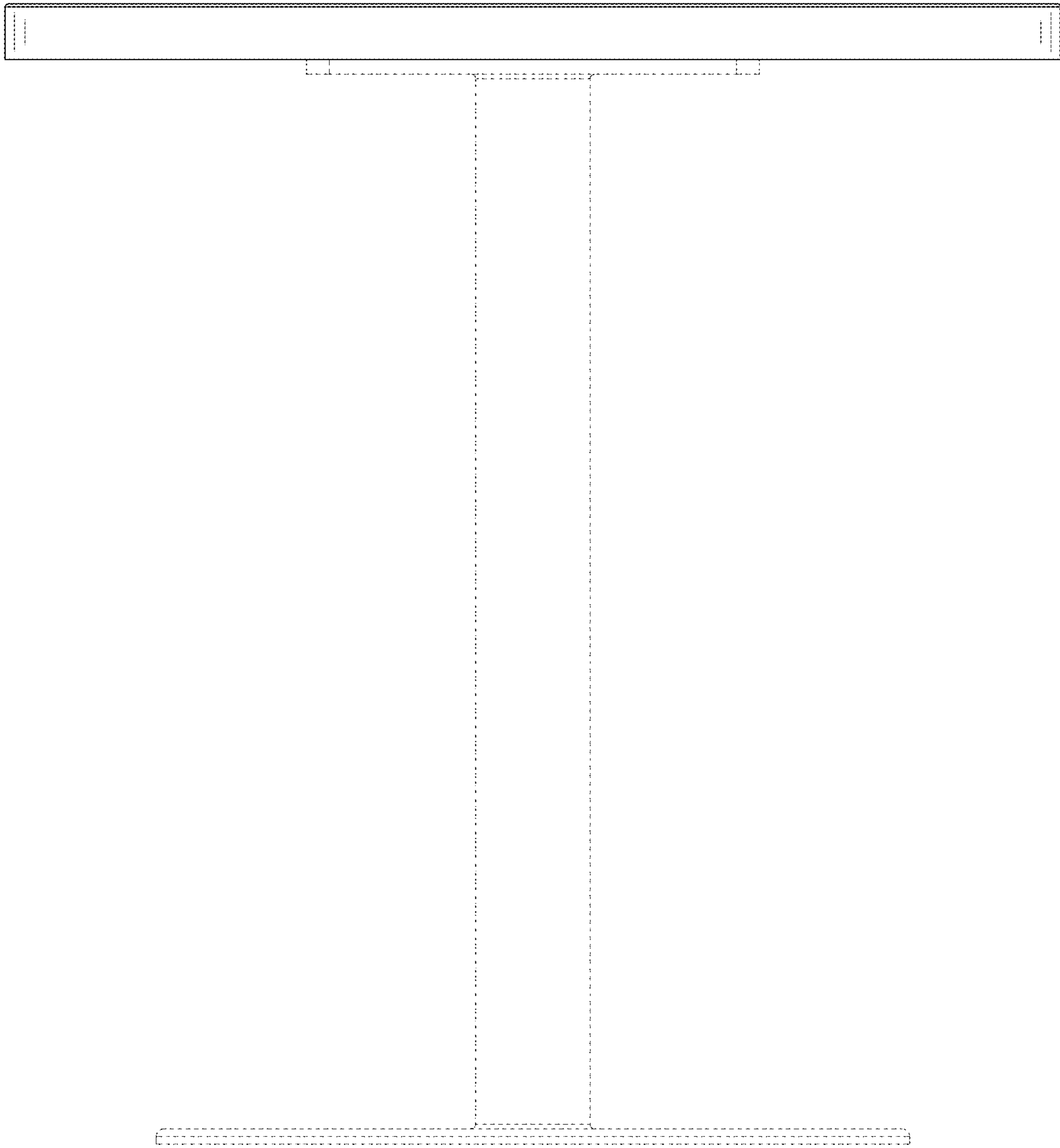


FIG. 5

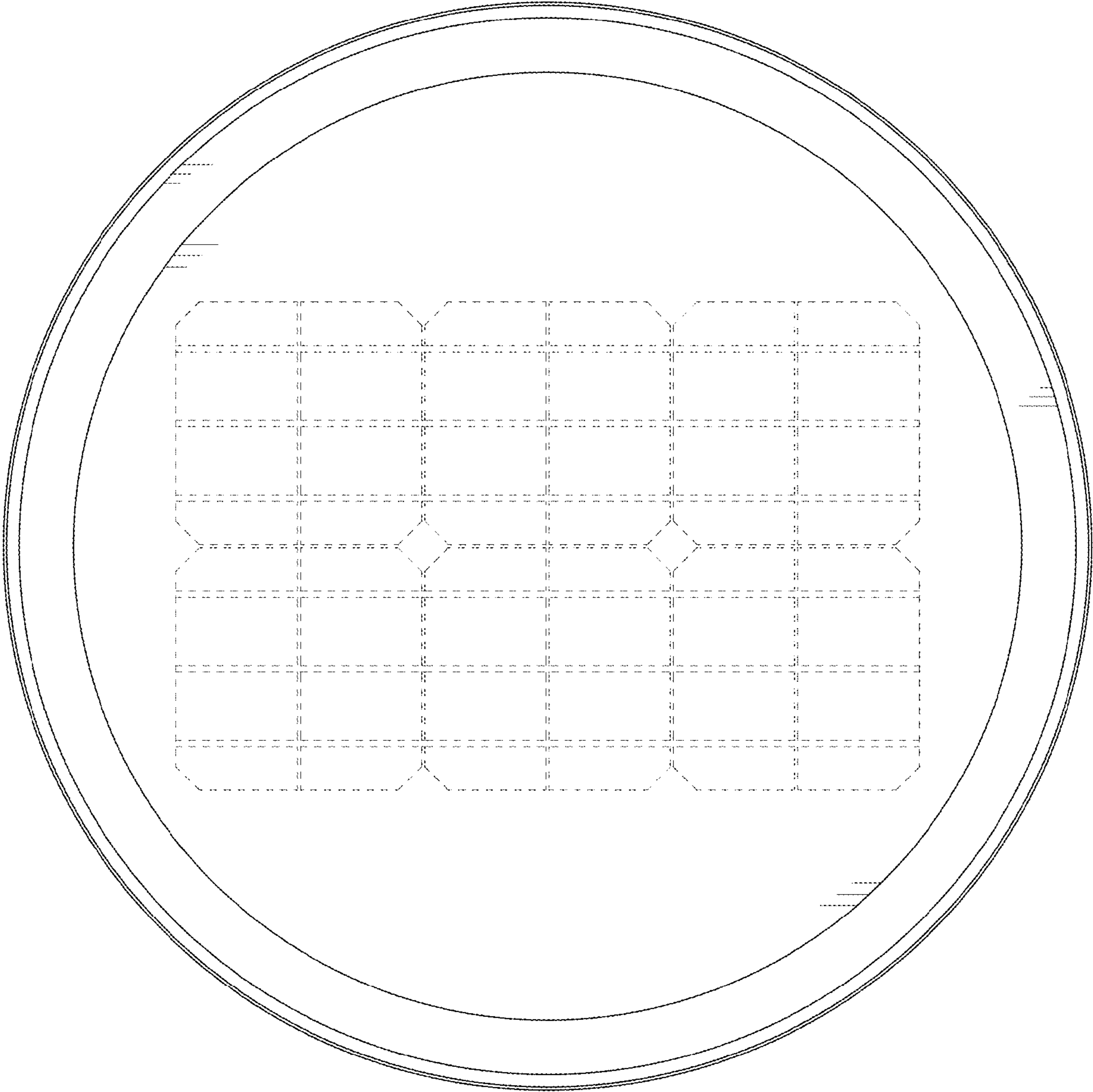


FIG. 6

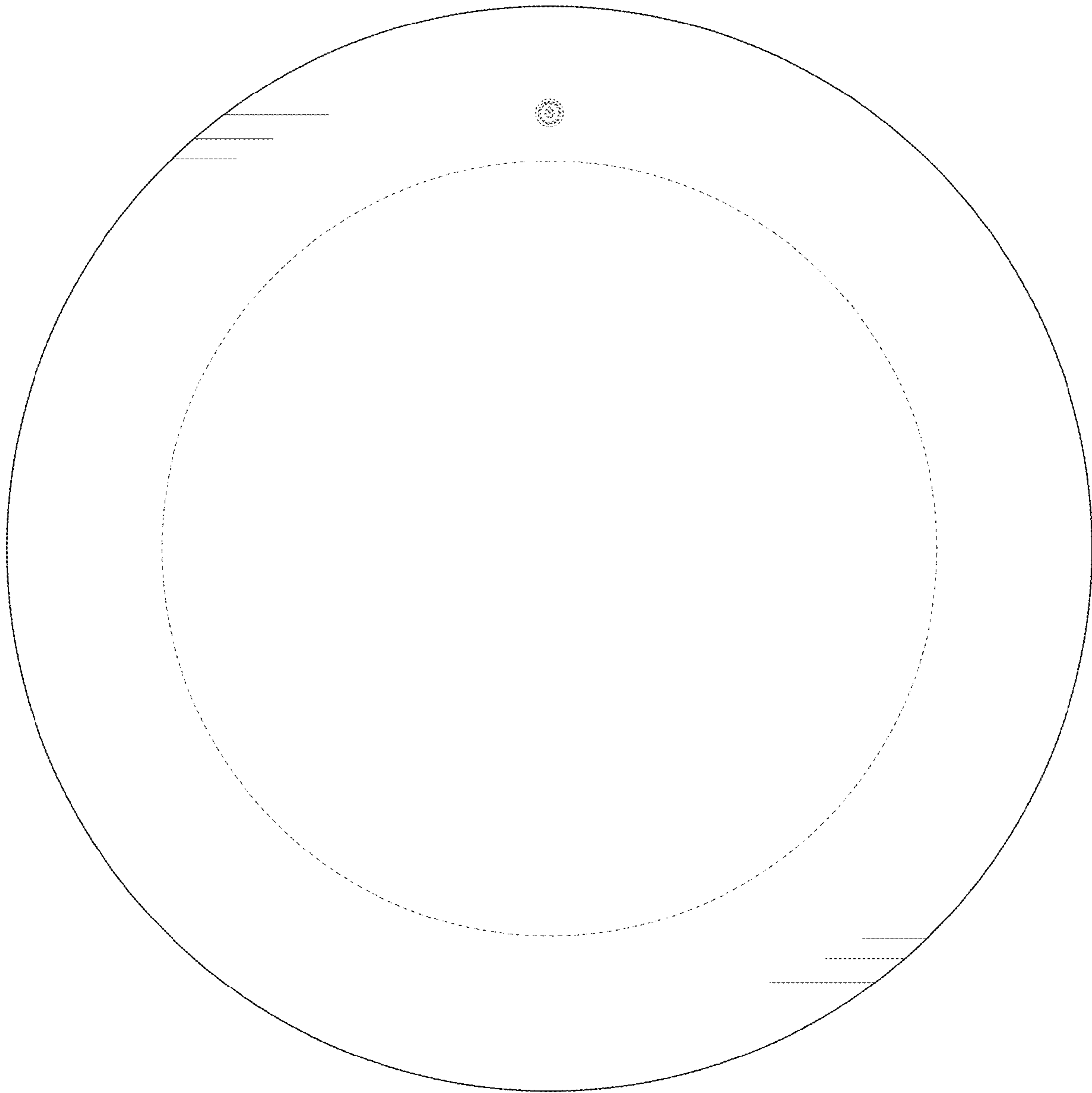


FIG. 7

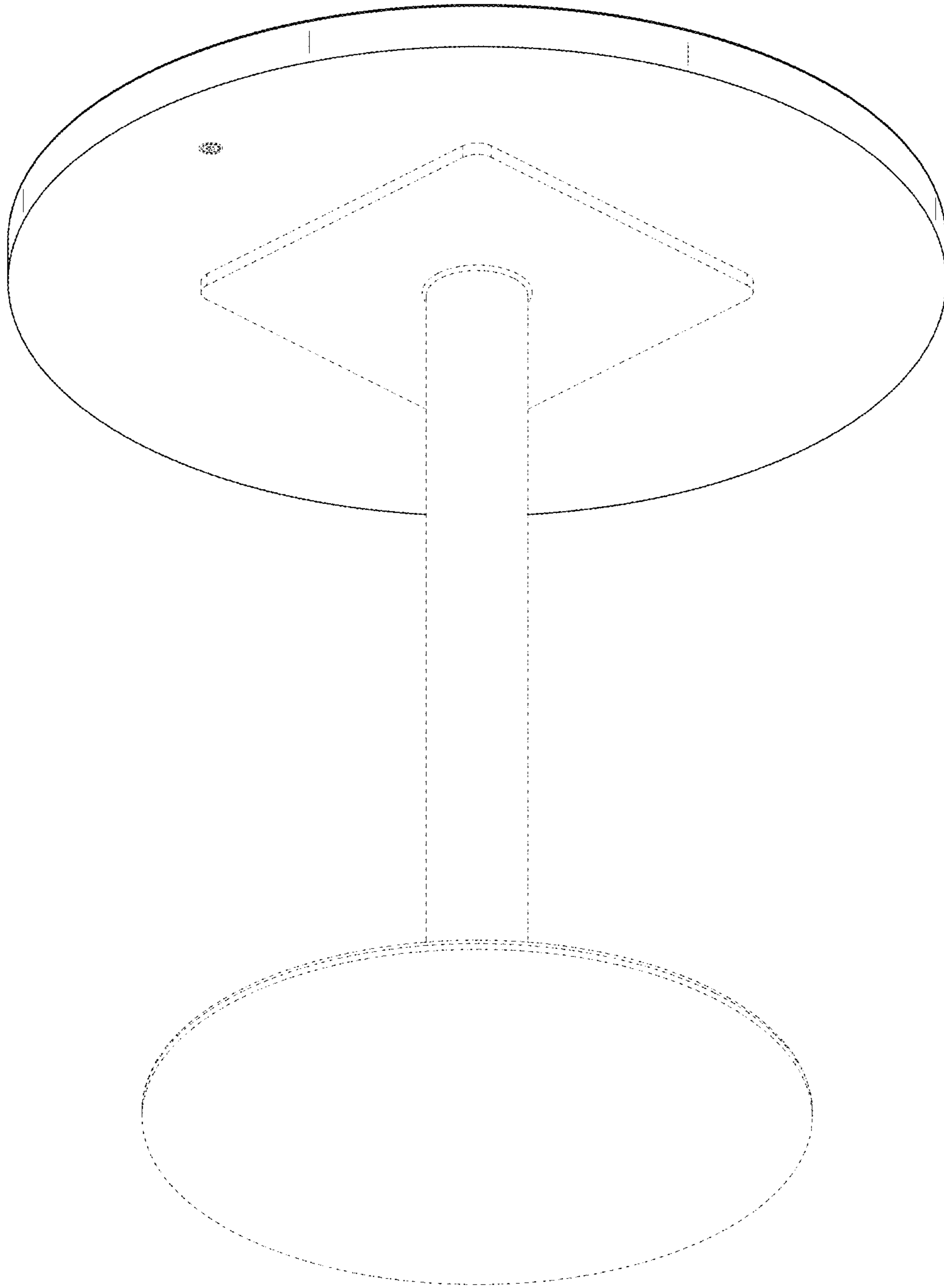


FIG. 8