



US00D989527S

(12) **United States Design Patent** (10) **Patent No.:** **US D989,527 S**
Whang et al. (45) **Date of Patent:** **** Jun. 20, 2023**

(54) **DISPLAY STAND**

FOREIGN PATENT DOCUMENTS

(71) Applicant: **Apple Inc.**, Cupertino, CA (US)

GB 6184919 * 1/2022
GB 6184920 * 1/2022

(72) Inventors: **Eugene Antony Whang**, San Francisco, CA (US); **Peter Russell-Clarke**, San Francisco, CA (US); **Olivia Ching**, Mountain View, CA (US); **Sheng Yang**, Mountain View, CA (US); **Indhu V. Solayappan**, Sunnyvale, CA (US); **Gabriel J. Lamb**, Burlingame, CA (US); **Jean-Marc Gady**, Los Altos, CA (US); **Allison Inouye**, San Francisco, CA (US); **Mi Zou**, San Francisco, CA (US); **Po Huang**, San Jose, CA (US); **Kristy Judy Hsu**, San Jose, CA (US); **Gregory Guillaume Lespinard**, San Jose, CA (US)

OTHER PUBLICATIONS

Yutao, "Headphone stand", first avail. May 11, 2021 https://www.amazon.ca/Headphone-Aluminum-Headset-Compatible-Sennheiser/dp/B094NPWKQD/ref=d_pd_di_sccai_cn_sccl_3_5/141-9159823-8695952?pd_rd_w=EkHfR&content-id=amzn1.sym.d6674fdf-bd00-4d07-8317-6dfd6c498cdf&pf_rd_p=d6674fdf-bd00-4d07-8317-6dfd6c49 (Year: 2021).*

(Continued)

Primary Examiner — Bao-Yen T Nguyen
Assistant Examiner — Jessica Ruth Grable
(74) *Attorney, Agent, or Firm* — Sterne, Kessler, Goldstein & Fox P.L.L.C.

(73) Assignee: **Apple Inc.**, Cupertino, CA (US)

(**) Term: **15 Years**

(57) **CLAIM**

(21) Appl. No.: **29/803,601**

The ornamental design for a display stand, as shown and described.

(22) Filed: **Aug. 13, 2021**

(51) **LOC (14) Cl.** **06-04**

(52) **U.S. Cl.**
USPC **D6/682.5; D14/224**

DESCRIPTION

(58) **Field of Classification Search**
USPC D6/672, 675, 675.5, 678.4, 681, 681.1, D6/681.2, 681.3, 682, 682.5, 682.6, 520, D6/546, 548, 549; D32/58, 59; D14/155-159, 160-173, 187-188, D14/189-198, 203.1-2, 204-216, D14/217-222, 224-229, 253, 257-258,
(Continued)

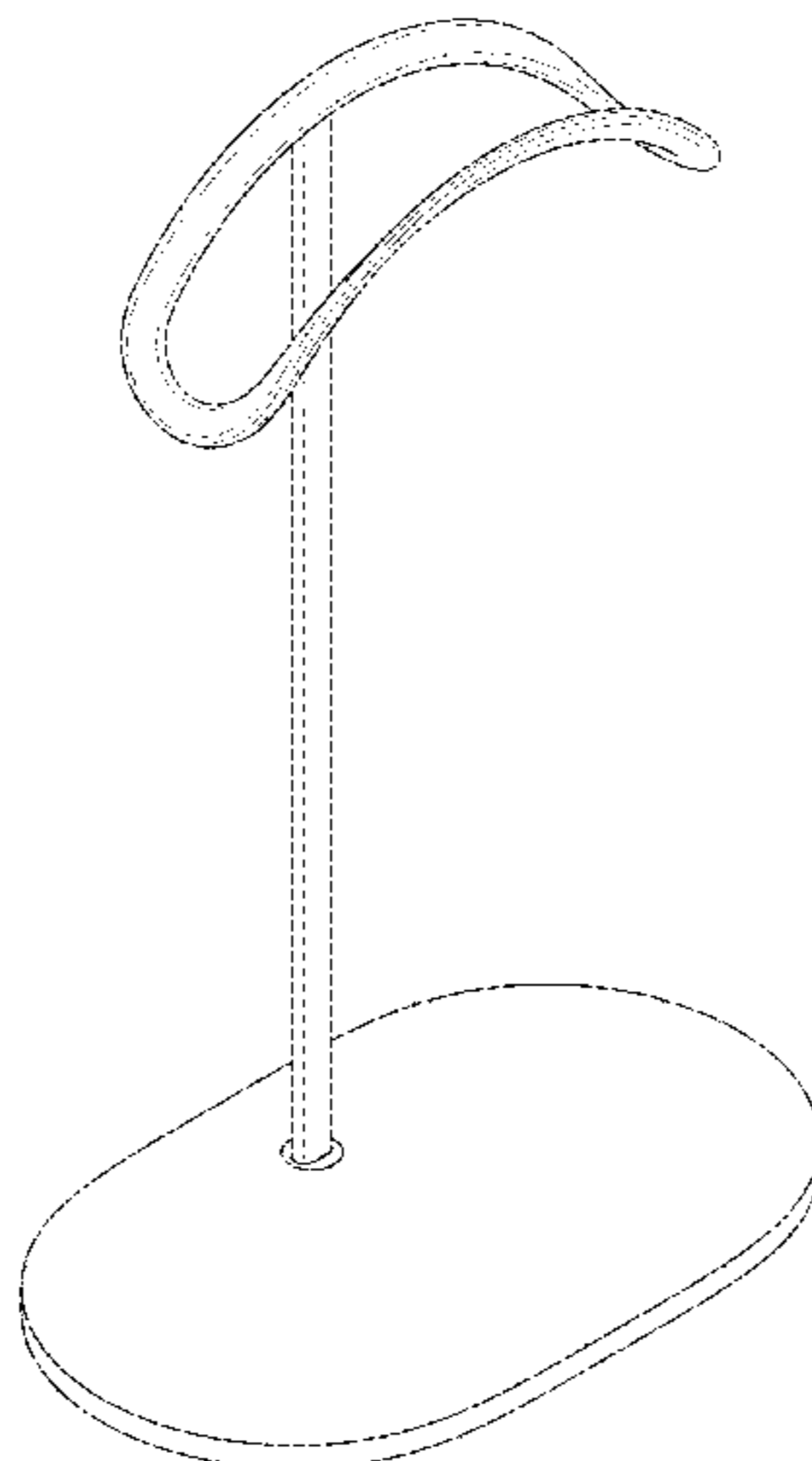
FIG. 1 is a front perspective view of a display stand showing the claimed design;
FIG. 2 is a rear perspective view thereof;
FIG. 3 is a front view thereof;
FIG. 4 is a rear view thereof;
FIG. 5 is a left side view thereof;
FIG. 6 is a right side view thereof;
FIG. 7 is a top view thereof;
FIG. 8 is a bottom view thereof; and,
FIG. 9 is a front view thereof showing the display stand in an environment in which it may be used.
The broken lines in the figures show portions of the display stand and environment that form no part of the claimed design.

(56) **References Cited**

U.S. PATENT DOCUMENTS

D338,700 S * 8/1993 Webb D6/678.4
D430,443 S * 9/2000 Dardashti D6/678.4
D632,136 S * 2/2011 Chen D7/600.1
(Continued)

1 Claim, 8 Drawing Sheets



(58) **Field of Classification Search**

USPC D14/496, 498–506, 672–673, 675.1, 682;
D7/600.1, 637
CPC A47F 5/04; A47F 7/02; A47F 5/13; A47F
5/00; A47F 5/0043; A47F 5/10; H04R
1/02; H04R 1/021; H04R 1/025; H04R
1/026; H04R 1/028; H04R 1/06; H04R
1/105; H04R 1/323; H04R 1/403; H04R
1/2803; H04R 1/2834

See application file for complete search history.

D907,013	S	*	1/2021	Lu	D14/224
D922,361	S	*	6/2021	Jin	D14/224
D947,160	S	*	3/2022	Chong	D14/224
D948,253	S	*	4/2022	Aman	D6/682
D951,919	S	*	5/2022	Turksu	D14/224
D951,920	S	*	5/2022	Turksu	D14/224
D963,617	S	*	9/2022	Liu	D14/224
D969,114	S	*	11/2022	Zeng	D14/224
D973,403	S	*	12/2022	Kurlander	D6/678.4
2017/0251293	A1	*	8/2017	Green	H04R 1/1025
2019/0222916	A1	*	7/2019	Kim	H04R 1/105

(56)

References Cited

U.S. PATENT DOCUMENTS

D723,011	S	*	2/2015	Symons	D14/224
D737,606	S	*	9/2015	King	D6/682
D785,380	S	*	5/2017	King	D6/681
D788,080	S	*	5/2017	Turksu	D14/224
D789,099	S		6/2017	Gorman et al.		
D789,100	S		6/2017	Gorman et al.		
D790,868	S		7/2017	Gorman et al.		
D794,984	S	*	8/2017	Green	D6/682.5
D843,792	S	*	3/2019	Hsu	D7/637
D845,723	S	*	4/2019	Krevetski	D8/1
D850,421	S	*	6/2019	Tong	D14/224
D855,038	S	*	7/2019	Hu	D14/224
D892,772	S	*	8/2020	Wu	D14/224

OTHER PUBLICATIONS

Benks, “Headphone stand”, first avail. May 2, 2022 [https://www.amazon.ca/BENKS-Headphone-Wireless-Charging-Earphone/dp/B09XWRHJYK/ref=d_pd_di_sccai_cn_sccl_3_5/141-9159823-8695952?pd_rd_w=VokEE&content-id=amzn1.sym.d6674fdf-bd00-4d07-8317-6dfd6c498cdf&pf_rd_p=d6674fdf-bd00-4d07-8317-6dfd6c498cdf](https://www.amazon.ca/BENKS-Headphone-Wireless-Charging-Earphone/dp/B09XWRHJYK/ref=d_pd_di_sccai_cn_sccl_3_5/141-9159823-8695952?pd_rd_w=VokEE&content-id=amzn1.sym.d6674fdf-bd00-4d07-8317-6dfd6c498cdf&pf_rd_p=d6674fdf-bd00-4d07-8317-6dfd6c498cdf&pf_rd_p=d6674fdf-bd00-4d07-8317-6dfd6c498cdf) (Year: 2022).*

Reddit, “Apple Store stands”, post dated Mar. 13, 2021 https://www.reddit.com/r/airpods/comments/m3zizp/we_just_updated_the_music_section_of_my_apple/ (Year: 2021).*

Twitter, “New AirPods Max stands at Apple Store”, post dated Mar. 10, 2021 <https://twitter.com/dnlyong/status/1369867140371681285> (Year: 2021).*

* cited by examiner

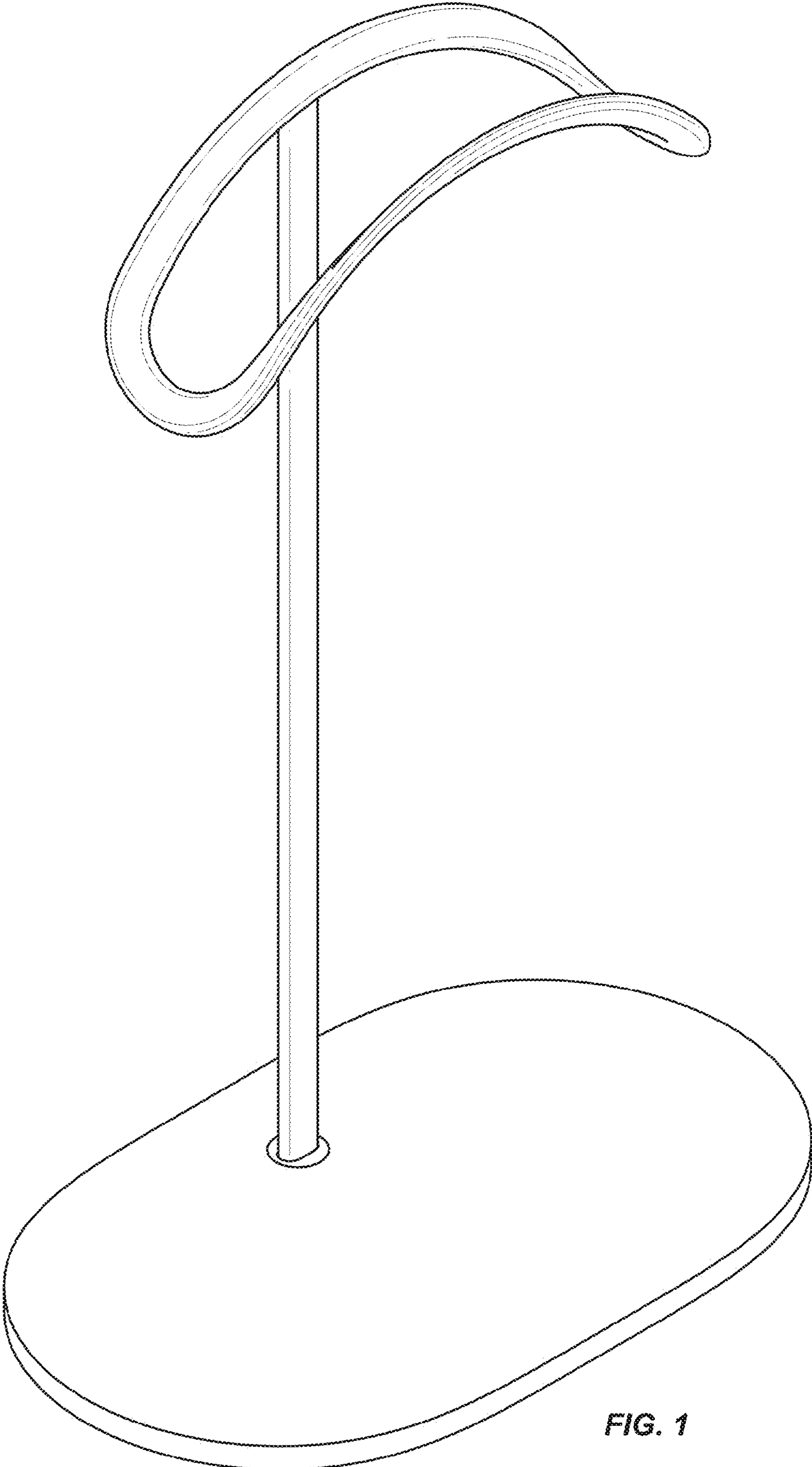


FIG. 1

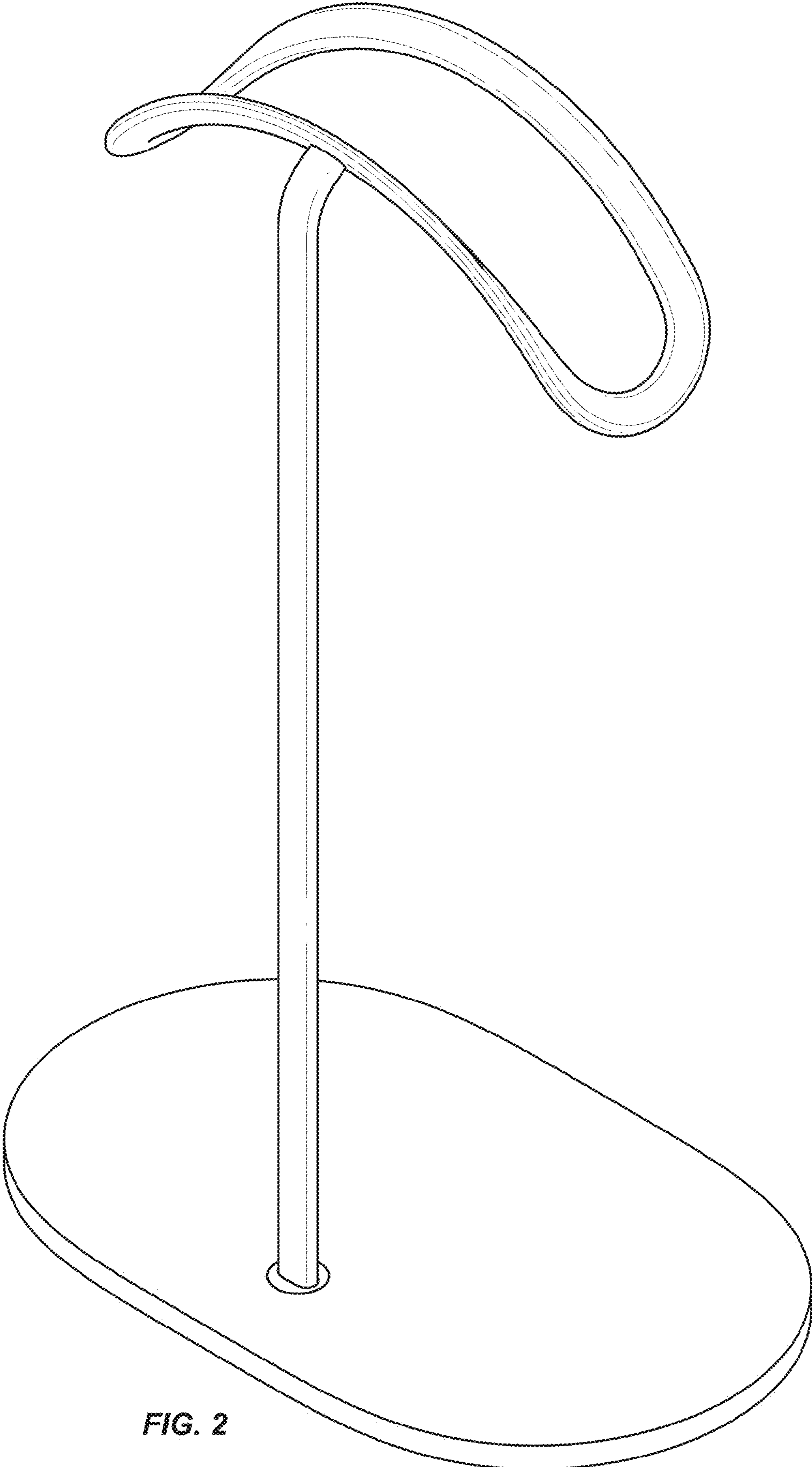


FIG. 2

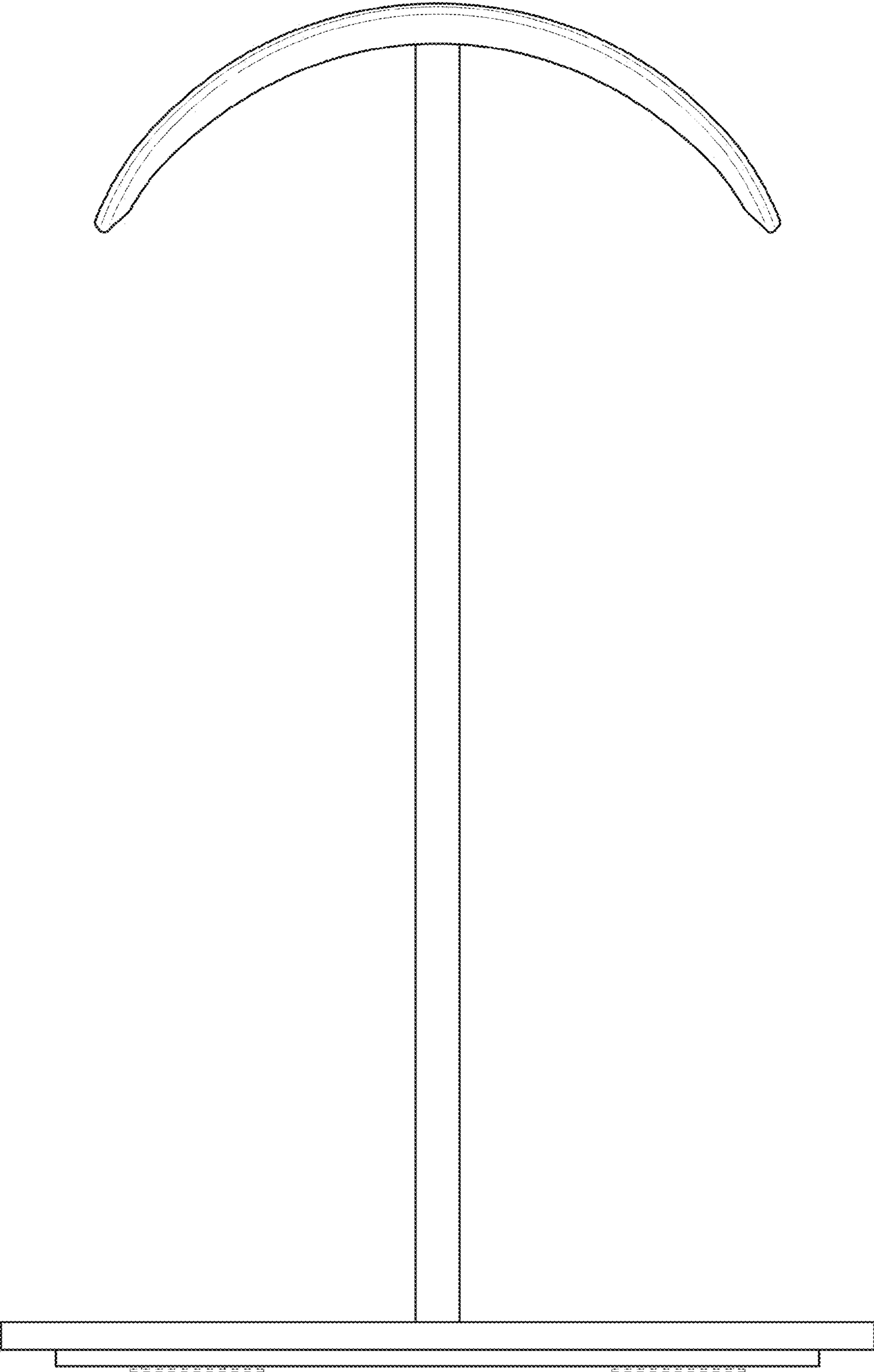


FIG. 3

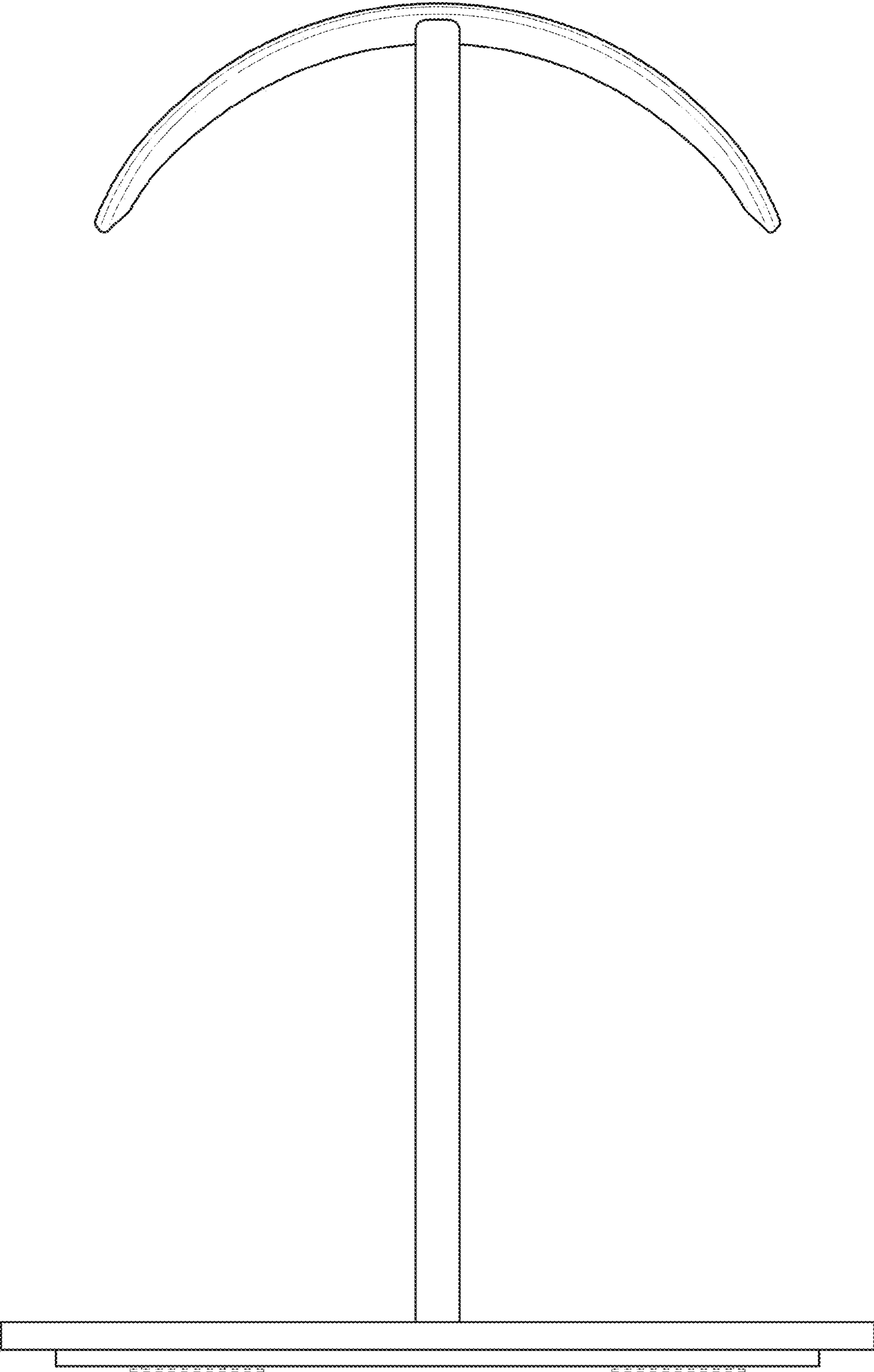


FIG. 4

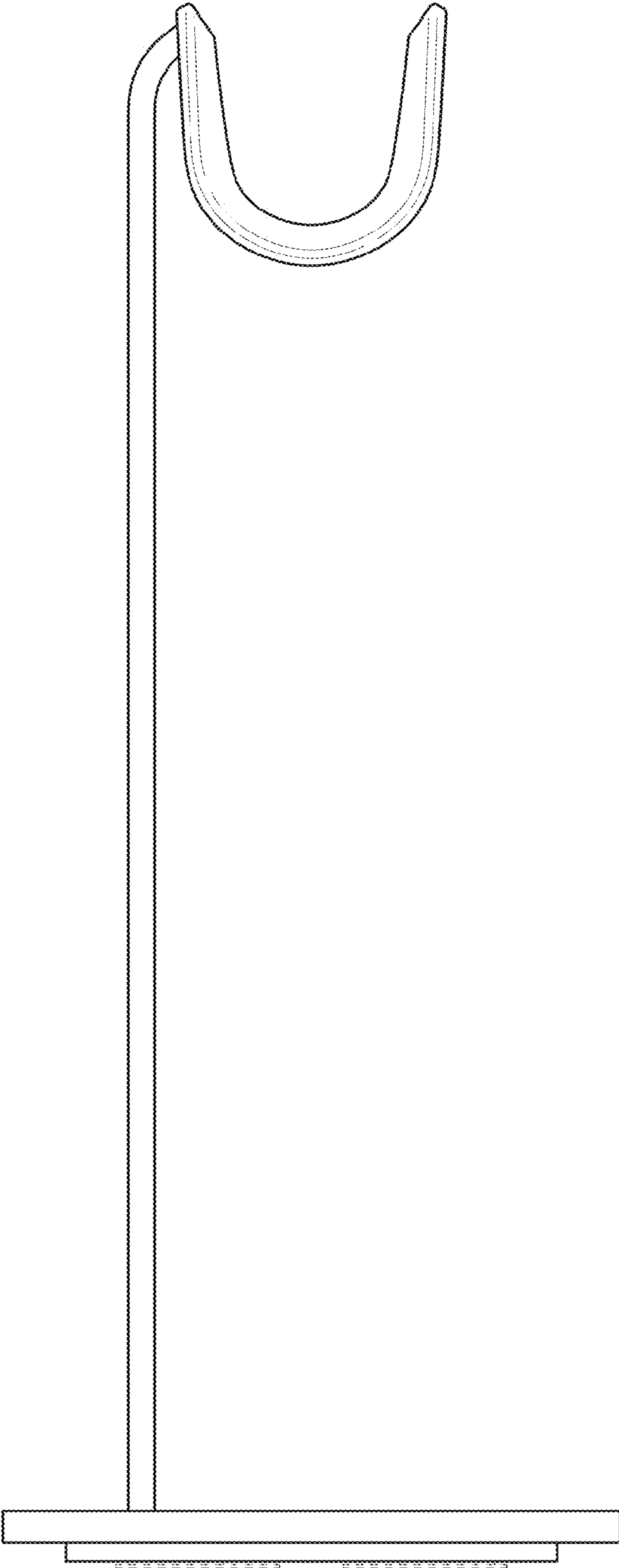


FIG. 5

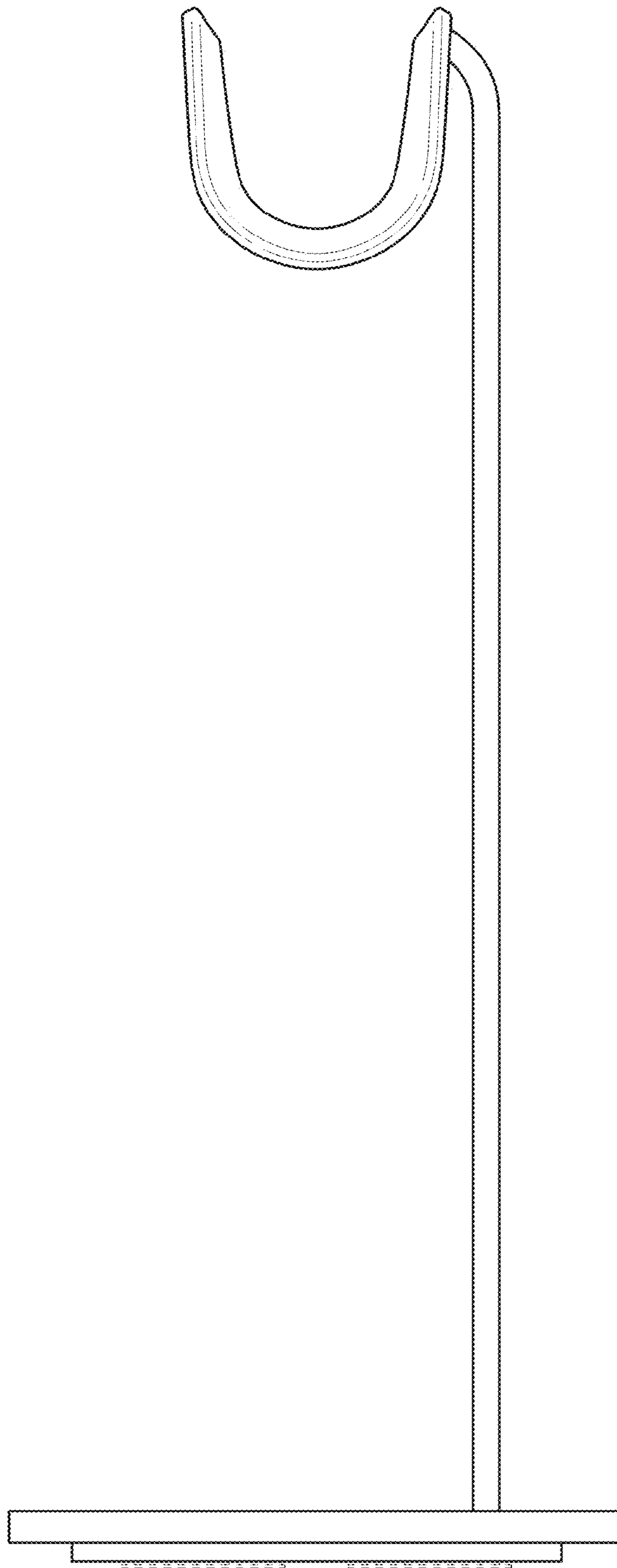


FIG. 6

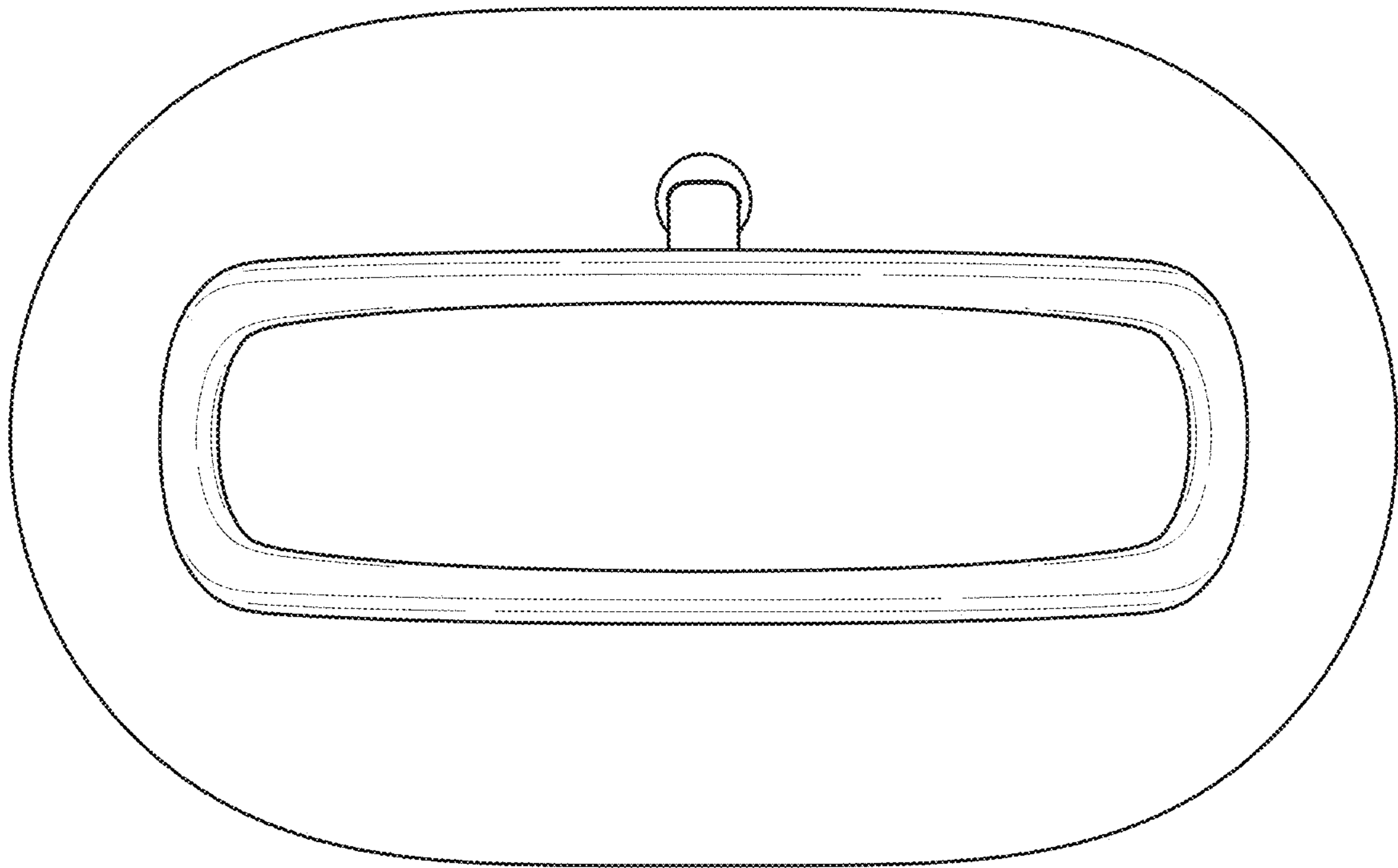


FIG. 7

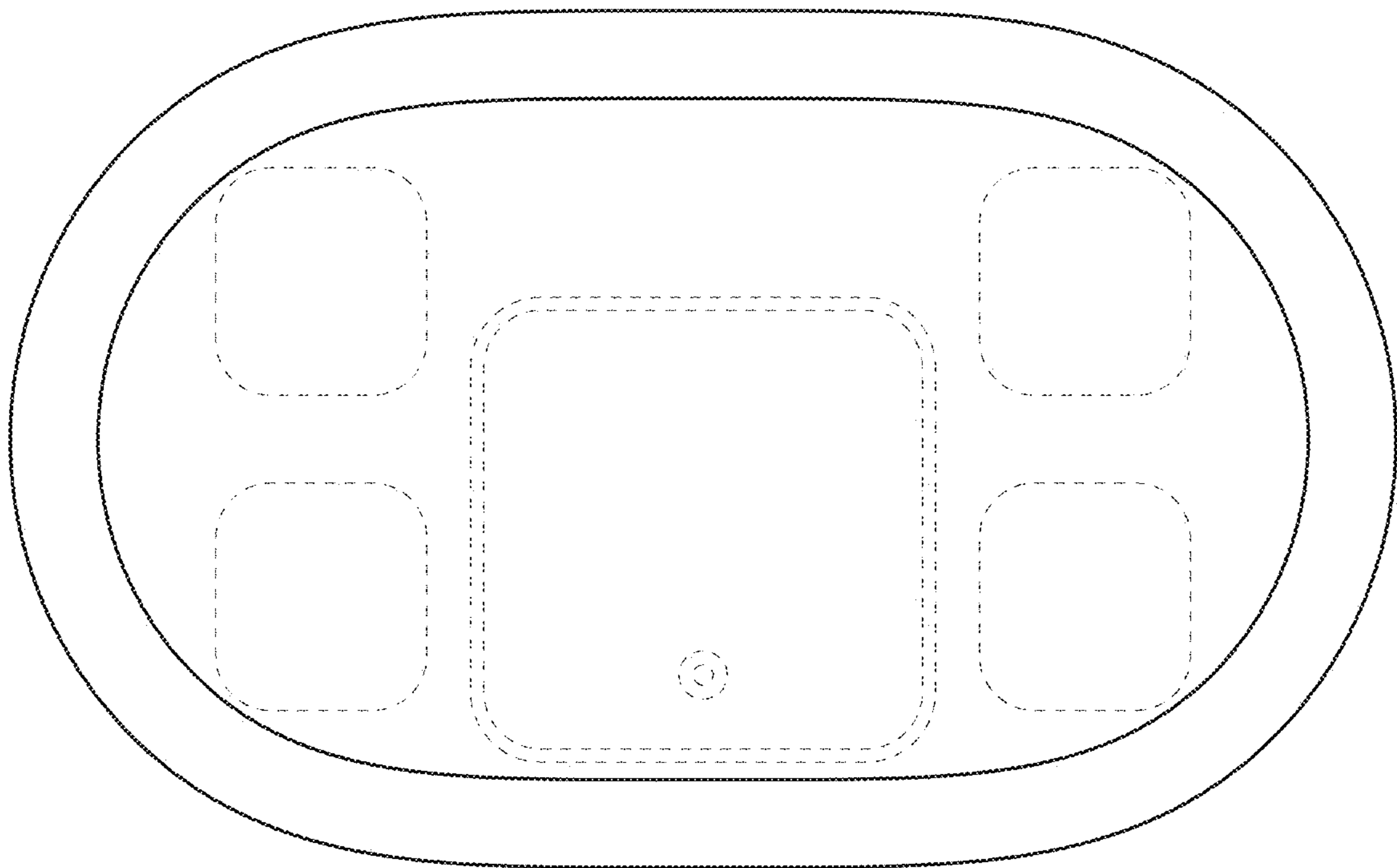


FIG. 8

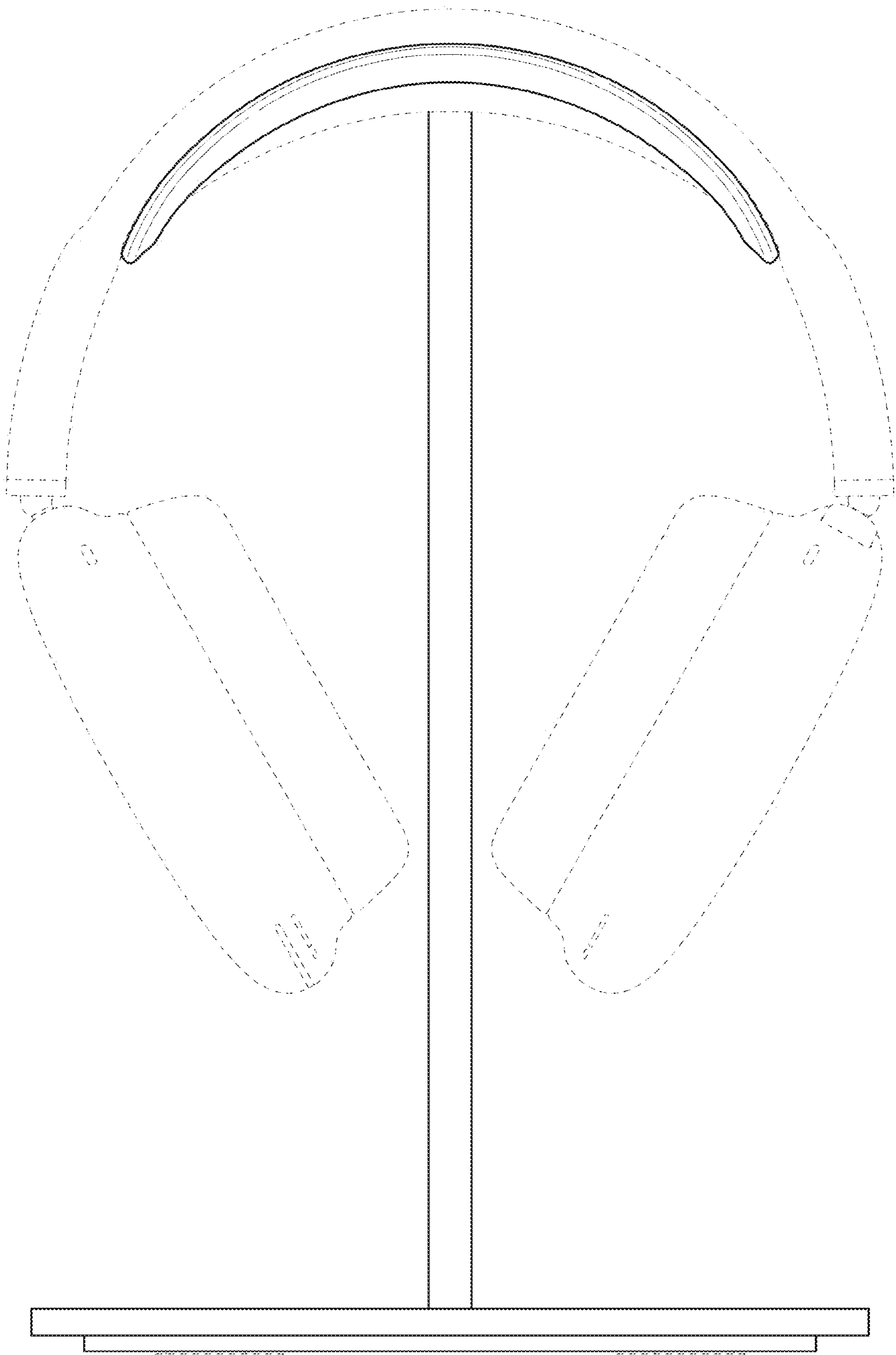


FIG. 9