



(12) **United States Design Patent** (10) **Patent No.:** **US D989,526 S**
Wood (45) **Date of Patent:** **** Jun. 20, 2023**

(54) **MODULE SHELF**

(71) Applicant: **Umbra LLC**, Buffalo, NY (US)
 (72) Inventor: **Todd Wood**, North Vancouver (CA)
 (73) Assignee: **UMBRA LLC**, Buffalo, NY (US)
 (**) Term: **15 Years**

(21) Appl. No.: **29/788,454**

(22) Filed: **May 28, 2021**

(51) **LOC (14) Cl.** **06-04**

(52) **U.S. Cl.**
 USPC **D6/675.1**; D6/533; D6/678

(58) **Field of Classification Search**
 USPC D6/553, 569, 570, 571, 574, 650, 672,
 D6/673, 675, 675.1, 675.2, 675.4, 678
 CPC A47B 47/00; A47B 47/04; A47B 47/0025;
 A47B 47/0066; A47B 47/047; A47B
 47/0091; A47B 63/00; A47B 87/008;
 A47B 97/001; A47F 5/08

See application file for complete search history.

(56) **References Cited**

U.S. PATENT DOCUMENTS

D252,550 S	*	8/1979	Johnson	D7/708
D280,477 S	*	9/1985	Petrick, V	D6/661.3
D345,275 S	*	3/1994	Picotte	D6/571
D459,932 S	*	7/2002	Ellwanger	D6/571
D464,500 S	*	10/2002	Roberts	D6/707
D470,333 S	*	2/2003	Roberts	D6/650
D471,394 S	*	3/2003	Robinson	D6/570
D484,333 S	*	12/2003	Frederick	D6/571
D527,558 S	*	9/2006	Ng	D6/678
D537,276 S	*	2/2007	Kelman	D6/682.2
D560,399 S	*	1/2008	Roberts	D6/678.1
D566,427 S	*	4/2008	McConnell	D6/675
D569,655 S	*	5/2008	Williams	D6/682.2

(Continued)

FOREIGN PATENT DOCUMENTS

CN 303850263 * 9/2016
 CN 3050307969 * 2/2019

(Continued)

OTHER PUBLICATIONS

JV Home Store, "Luska Collection Corner wall shelf", first avail Jun. 13, 2021 https://www.amazon.ca/dp/B0976CTTPR/ref=sspa_dk_detail_8?pf_rd_p=88a70737-8341-4e83-b43f-2849bf84234d&pf_rd_r=MTC7KJW6NGBJJVMV9G3&pd_rd_wg=2KYMO&pd_rd_w=vX4rw&content-id=amzn1.sym.88a70737-8341-4e83-b43f-2849bf84234d&p (Year: 2021).*

(Continued)

Primary Examiner — Bao-Yen T Nguyen
Assistant Examiner — Jessica Ruth Grable
 (74) *Attorney, Agent, or Firm* — Simpson & Simpson, PLLC

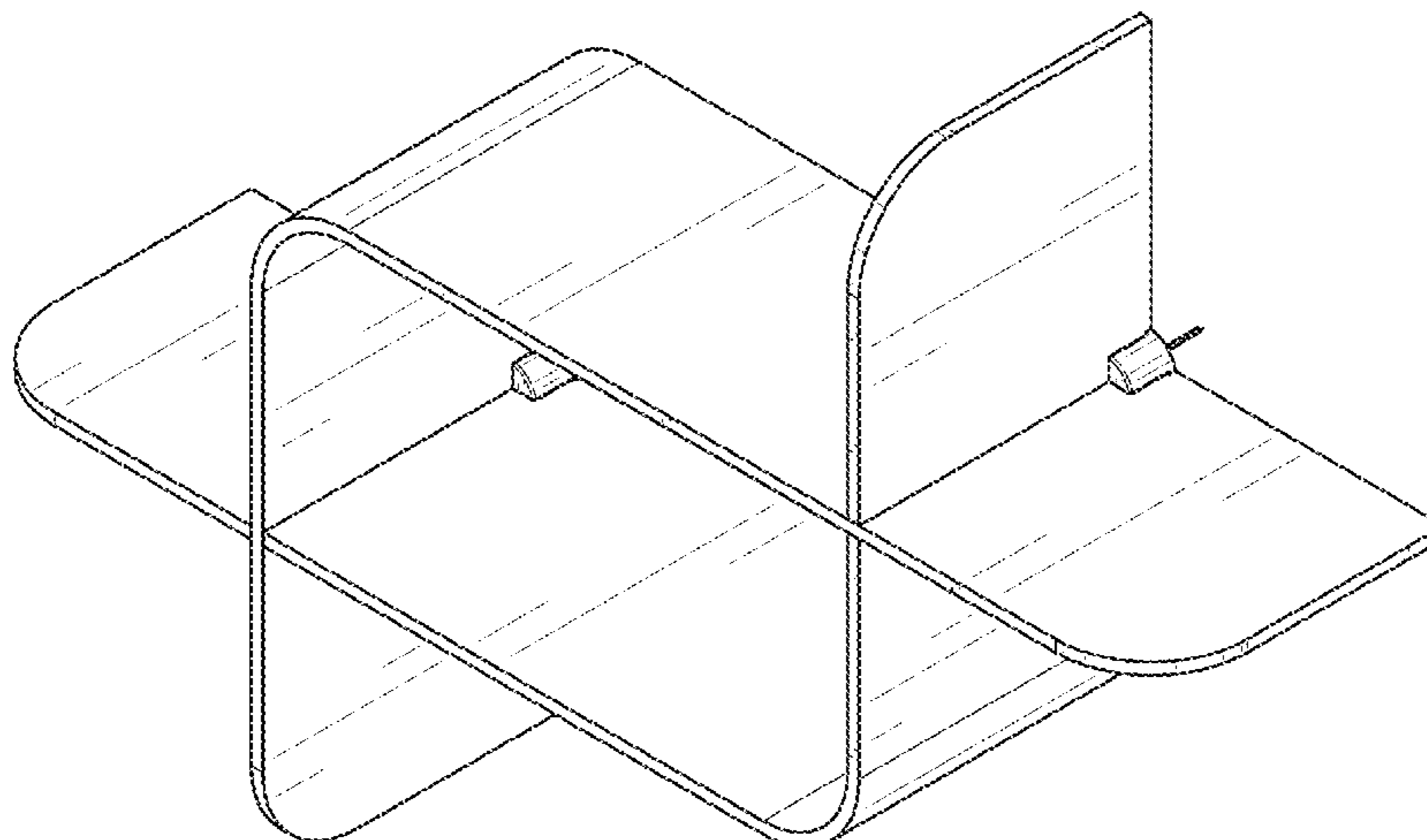
(57) **CLAIM**

The ornamental design for a module shelf, as shown and described.

DESCRIPTION

FIG. 1 is a top perspective view of a module shelf of the present invention;
 FIG. 2 is a front elevation view of the module shelf shown in FIG. 1;
 FIG. 3 is a rear elevation view of the module shelf shown in FIG. 1;
 FIG. 4 is a left side elevation view of the module shelf shown in FIG. 1;
 FIG. 5 is a right side elevation view of the module shelf shown in FIG. 1;
 FIG. 6 is a top plan view of the module shelf shown in FIG. 1; and,
 FIG. 7 is a bottom plan view of the module shelf shown in FIG. 1.

(Continued)



The drawings illustrate a module shelf as shown in the drawings.

1 Claim, 7 Drawing Sheets

(56)

References Cited

U.S. PATENT DOCUMENTS

D597,343	S	*	8/2009	Thakur	D6/683.1
D703,979	S	*	5/2014	Saba	D6/678
D705,583	S	*	5/2014	Meissner	D6/675.1
D716,082	S	*	10/2014	Dixon	D6/678.1
D720,166	S	*	12/2014	Trindall	D6/683.1
D735,500	S	*	8/2015	Wu	D6/675
D753,423	S	*	4/2016	Love	D6/678.2
D780,540	S	*	3/2017	Koziol	D7/701
D797,476	S	*	9/2017	Caillouet	D6/672
D808,806	S	*	1/2018	Campbell	D9/456
D809,716	S	*	2/2018	Spaile	D30/119
D869,869	S	*	12/2019	Ascalon	D6/349
D893,222	S	*	8/2020	Tseng	D6/678
D910,333	S	*	2/2021	Davis	D6/574
11,425,996	B2	*	8/2022	DeShon	A47B 87/008

FOREIGN PATENT DOCUMENTS

JP	D1563055	*	10/2016
WO	D014785-001	*	10/1989
WO	D079917-013	*	11/2012

OTHER PUBLICATIONS

Comfify Store, "Modern Wall Mounted Square shaped shelves", first avail Feb. 23, 2020 https://www.amazon.ca/Modern-Mounted-Square-Floating-Shelves/dp/B081S3MF9G/ref=d_pd_di_sccai_cn_scc1_3_5/141-9159823-8695952?pd_rd_w=6Ws4v&content-id=amzn1.sym.d6674fdf-bd00-4d07-8317-6dfd6c498cdf&pf_rd_p=d6674fd (Year: 2020).*

Confify Store, "Rustic wall mounted shelves set of 3", first avail Jul. 7, 2018 https://www.amazon.ca/dp/B07F6TNVLZ/ref=sspa_dk_detail_4?pd_rd_i=B07F6TNVLZ&pd_rd_w=kc3wk&content-id=amzn1.sym.88a70737-8341-4e83-b43f-2849bf84234d&pf_rd_p=88a70737-8341-4e83-b43f-2849bf84234d&pf_rd_r=J7RDQ7MRNQARPMQ86 (Year: 2018).*

LitFad, "Geometry Bamboo Bookshelf" no first available date https://www.litfad.com/geometry-bamboo-bookshelf-modern-style-bookcase-for-home-office-22-w-x-9-d-s-2699381.html?gclid=EAlaIqobChMItrWslsqQ_QIV8M_ICh3oOQ0-EAsYBiABEgIkW_D_BwE (Year: 2023).*

Pomono, "Czechoslovak Bent Plywood Shelf by Ludvik Volak" from 1960 <https://www.pamono.ca/czechoslovak-bent-plywood-shelf-by-ludvik-volak-for-drevopodnik-holesov-1960s> (Year: 1960).*

Navaris, "Curved Tree Bookcase" first available May 12, 2021 https://www.amazon.ca/Navaris-Tree-Bookshelf-Bookcase-Standing/dp/B08W29D9SB/ref=sr_1_9?crd=YJ2J2S24AIV4&keywords=Curved+plywood+wall+shelf&qid=1677119744&s=kitchen&sprefix=curved+plywood+wall+shelf%2Ckitchen%2C85&sr=1-9 (Year: 2021).*

* cited by examiner

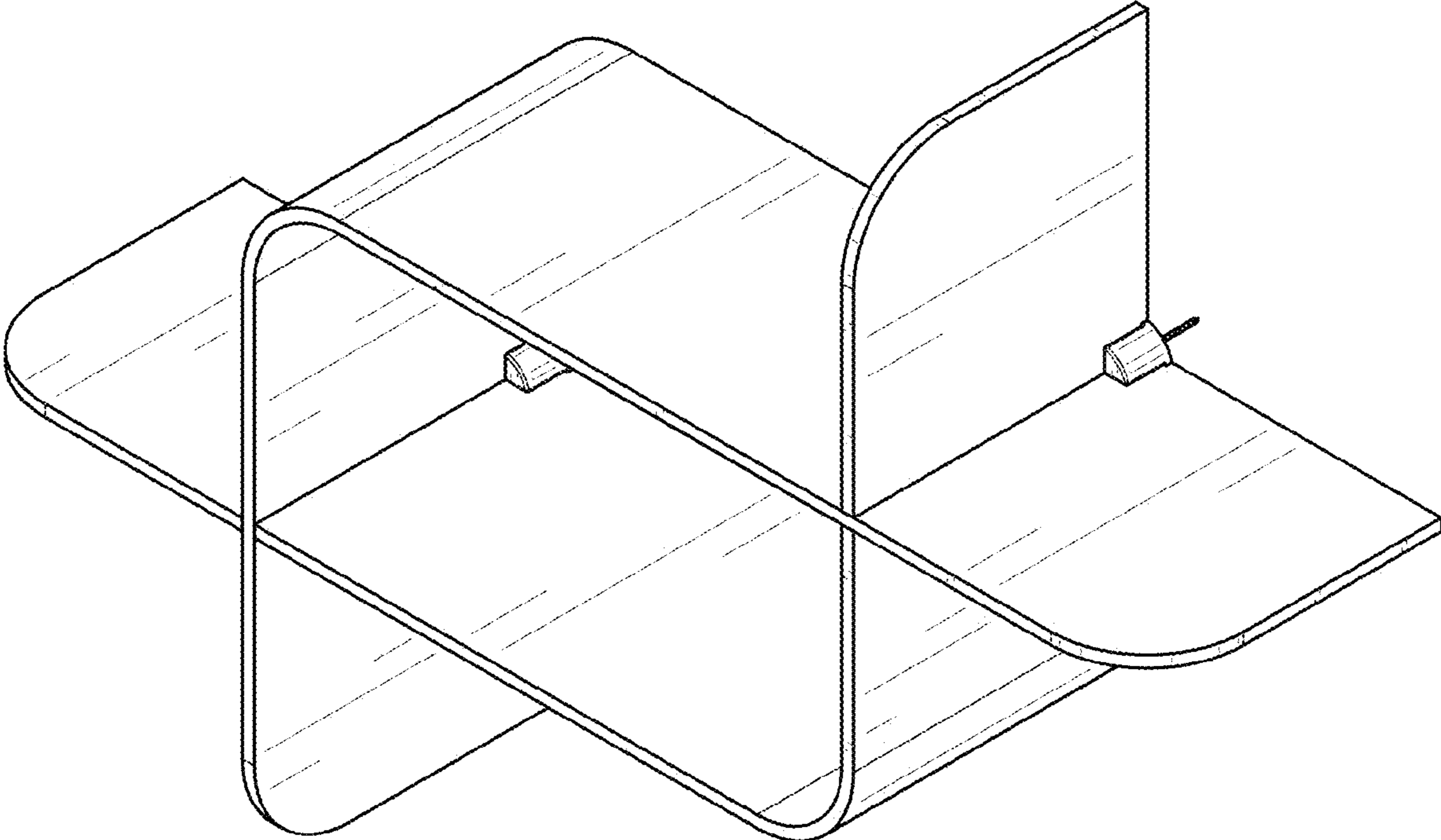


FIG. 1

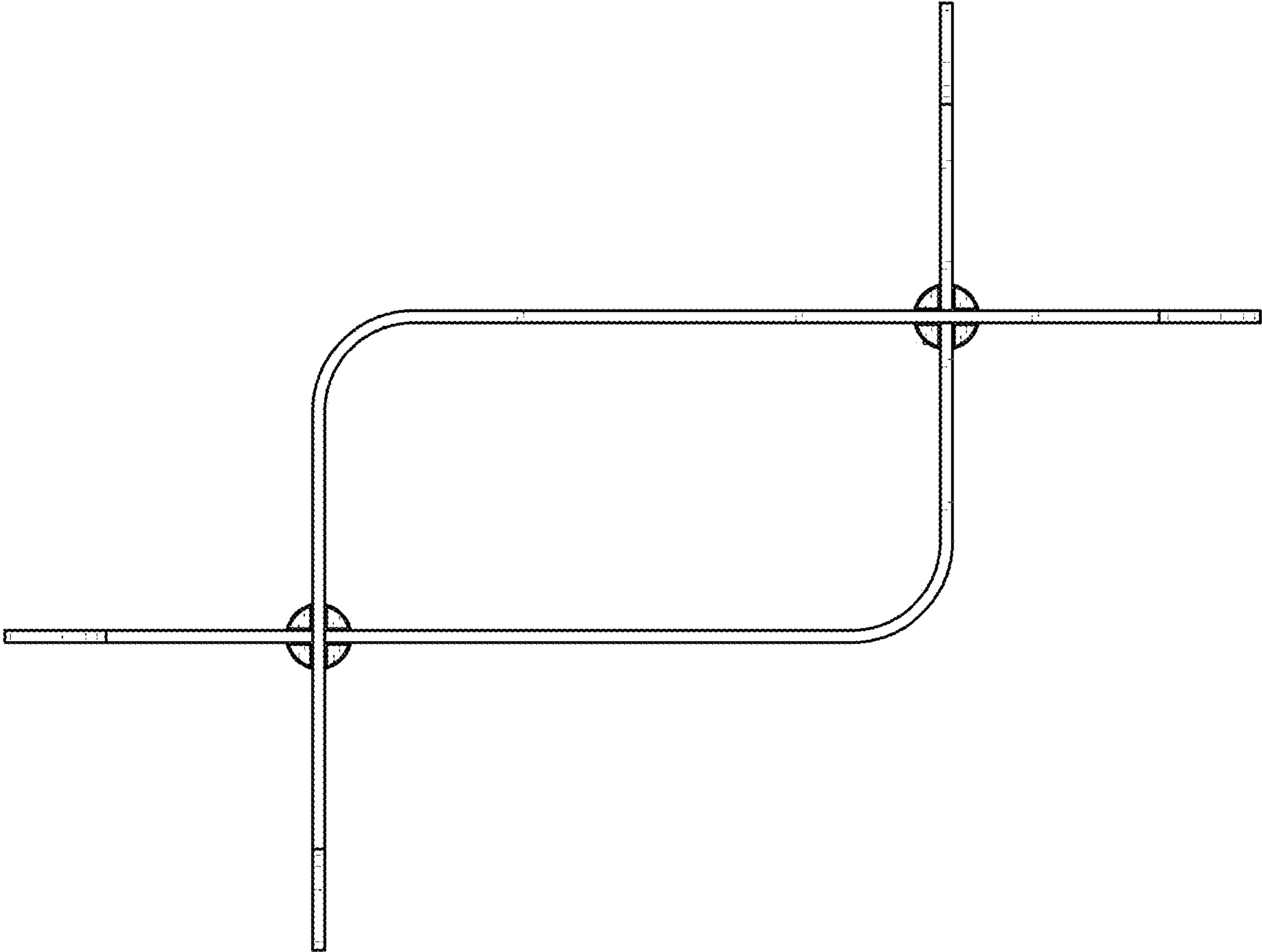


FIG. 2

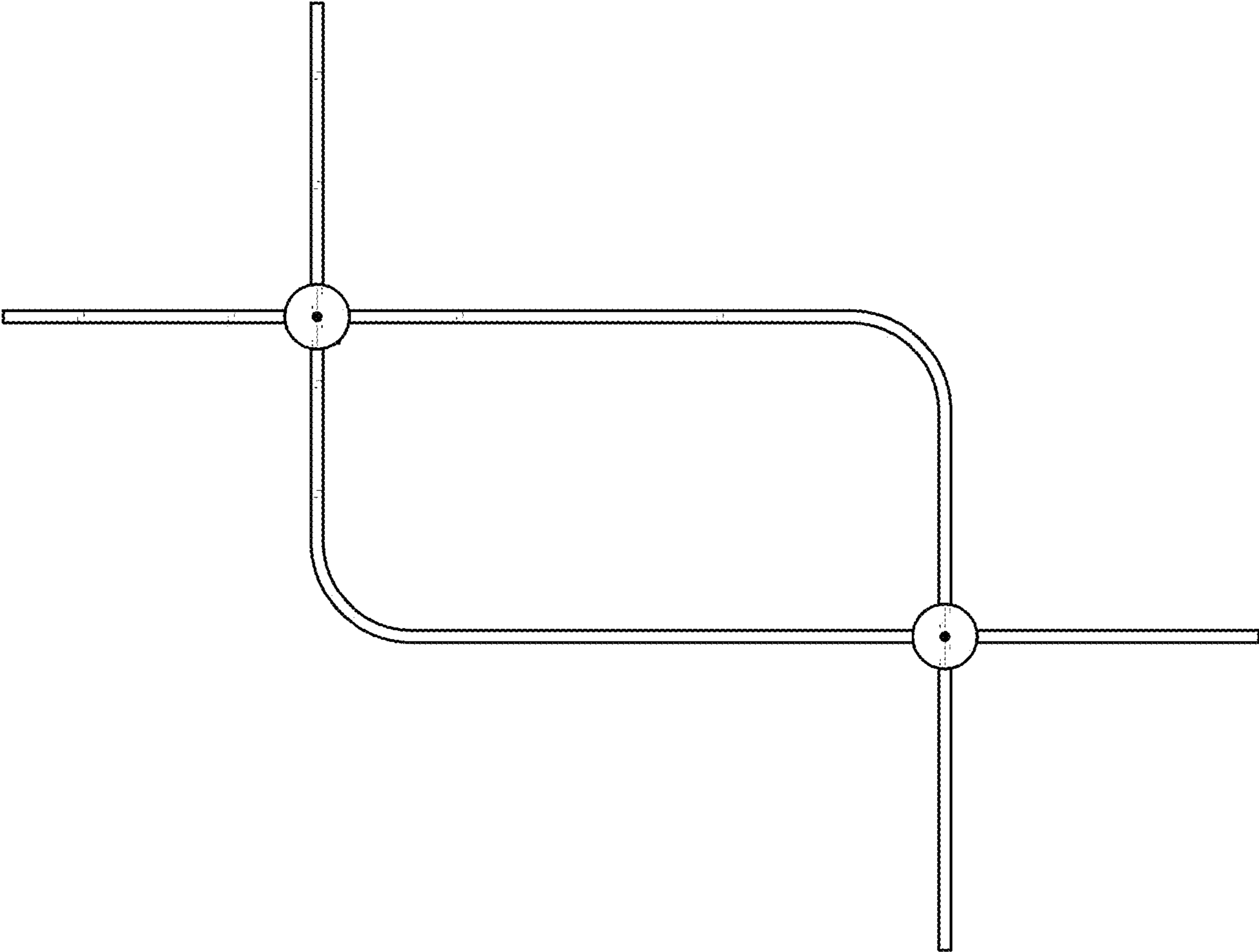


FIG. 3

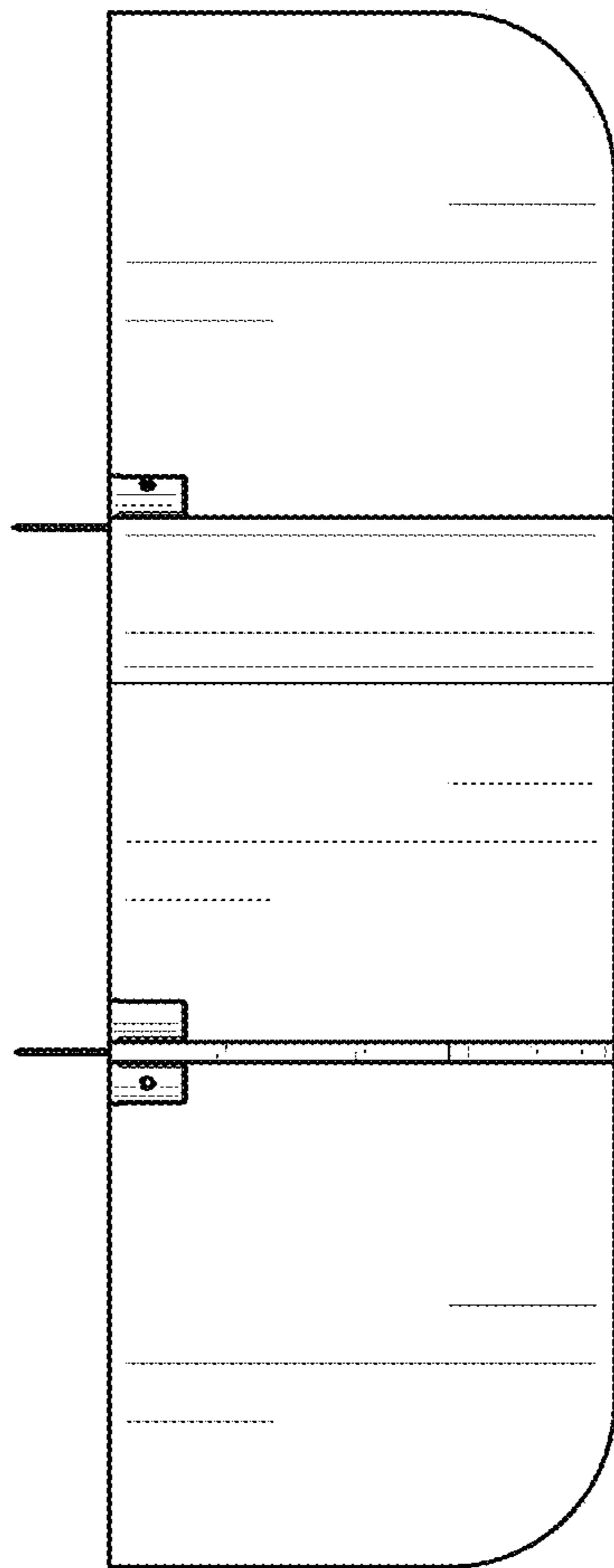


FIG. 4

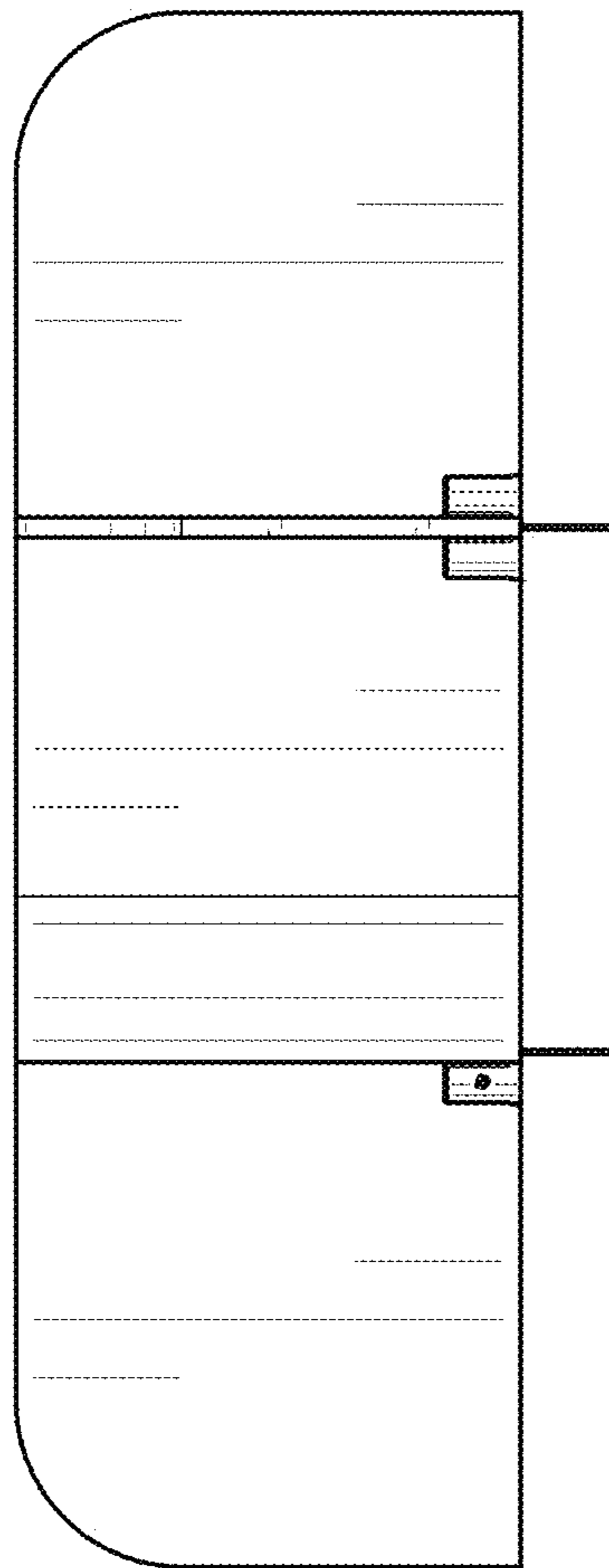


FIG. 5

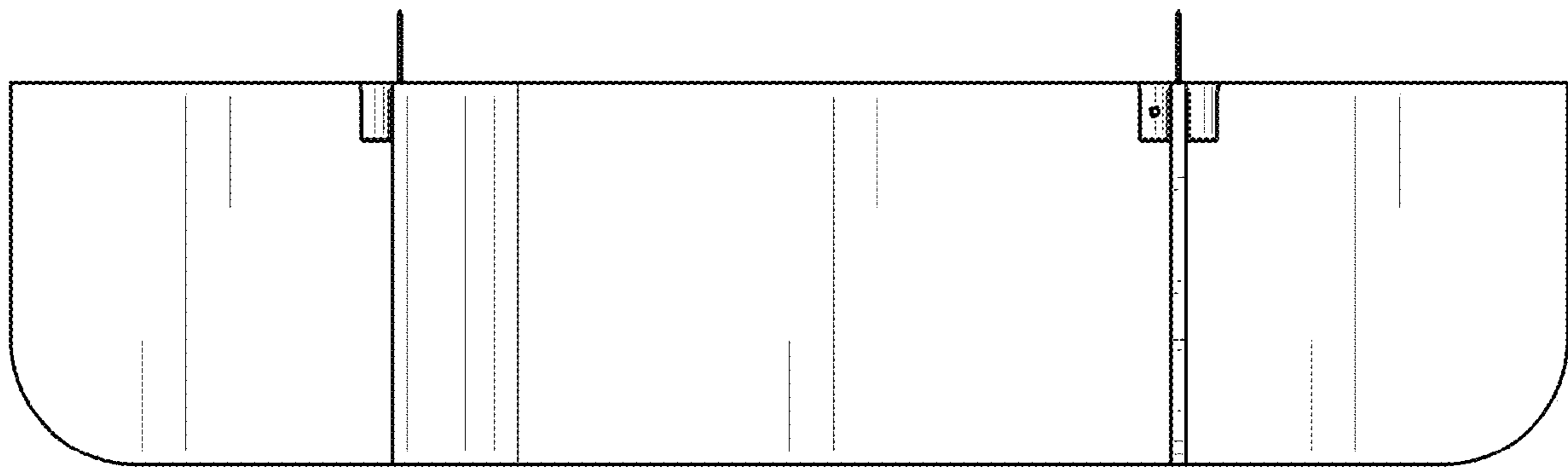


FIG. 6

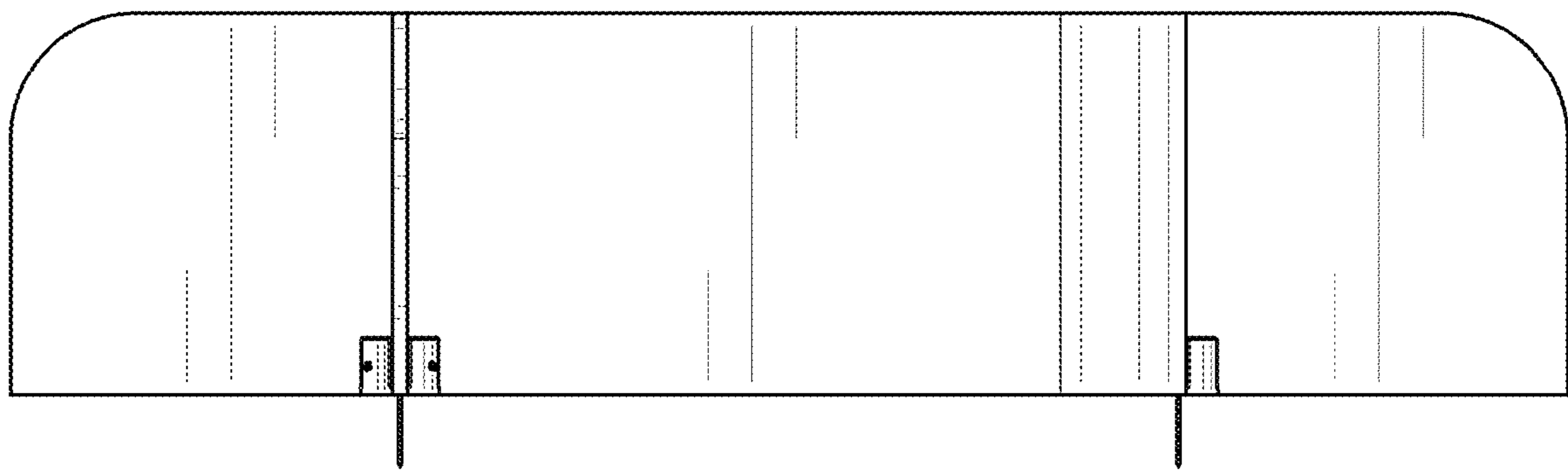


FIG. 7