



US00D989523S

(12) **United States Design Patent**
Wang

(10) **Patent No.:** **US D989,523 S**

(45) **Date of Patent:** **** Jun. 20, 2023**

(54) **DESK**

(71) Applicant: **Ningbo Zuozhou Electronic Commerce Co., Ltd.**, Ningbo (CN)

(72) Inventor: **Rui Wang**, Ningbo (CN)

(73) Assignee: **NINGBO ZUOZHOU ELECTRONIC COMMERCE CO., LTD.**, Ningbo (CN)

(**) Term: **15 Years**

(21) Appl. No.: **29/768,931**

(22) Filed: **Feb. 2, 2021**

(51) **LOC (14) Cl.** **06-03**

(52) **U.S. Cl.**

USPC **D6/691.9; D6/691.8**

(58) **Field of Classification Search**

USPC D6/406.1–406.6, 643, 643.1, 653, 654, D6/654.1, 655, 655.1, 655.14, 655.16, D6/655.17, 656, 656.13, 656.15, 663, D6/664, 686, 691.1–691.9, 700, 702, 703, D6/703.1, 705, 705.1

CPC A45D 29/00; A45D 44/00; A45D 44/02; A45D 29/20; A45C 2007/0013; A45C 7/0022; A45C 5/141; A47B 3/002; A47B 2003/006; A47B 3/02; A47B 2003/025; A47B 3/10; A47B 7/00; A47B 9/20; A47B 11/00; A47B 21/00; A47B 2021/0307;

(Continued)

(56) **References Cited**

U.S. PATENT DOCUMENTS

D240,377 S * 7/1976 Goulder D6/675.1
D254,281 S * 2/1980 Kayfes D6/686

(Continued)

Primary Examiner — Catherine Ho

(74) *Attorney, Agent, or Firm* — WPAT, P.C

(57) **CLAIM**

The ornamental design for a desk, as shown and described.

DESCRIPTION

FIG. 1 is a perspective view of a desk, showing a first embodiment of the new design;

FIG. 2 is a left side view thereof, the right side being an identical image thereof;

FIG. 3 is a front view thereof, the rear view being an identical image thereof;

FIG. 4 is a top view thereof;

FIG. 5 is a bottom view thereof;

FIG. 6 is a perspective view of a desk, showing a second embodiment of the new design;

FIG. 7 is a left side view thereof, the right side being an identical image thereof;

FIG. 8 is a front view thereof, the rear view being an identical image thereof;

FIG. 9 is a top view thereof; and

FIG. 10 is a bottom view thereof;

FIG. 11 is a perspective view of a desk, showing a third embodiment of the new design;

FIG. 12 is a left side view thereof, the right side being an identical image thereof;

FIG. 13 is a front view thereof, the rear view being an identical image thereof;

FIG. 14 is a top view thereof;

FIG. 15 is a bottom view thereof;

FIG. 16 is a perspective view of a desk, showing a fourth embodiment of the new design;

FIG. 17 is a left side view thereof, the right side being an identical image thereof;

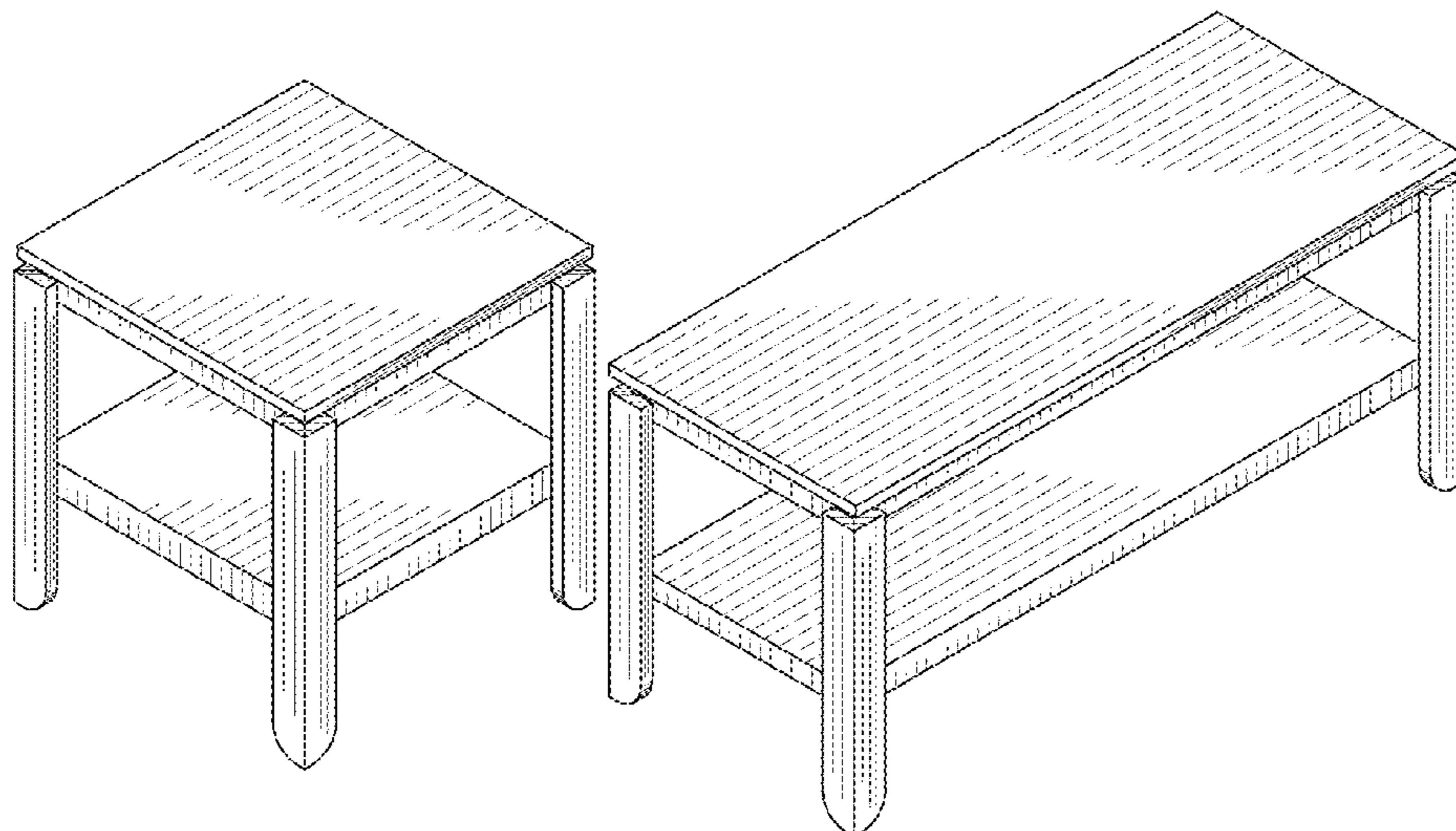
FIG. 18 is a front view thereof, the rear view being an identical image thereof;

FIG. 19 is a top view thereof; and,

FIG. 20 is a bottom view thereof.

A right-side view and a rear view of the desk are omitted since the right-side view and the rear view are respectively identical to the left-side view and the front view.

1 Claim, 12 Drawing Sheets



(58) **Field of Classification Search**

CPC ... A47B 21/0314; A47B 23/001; A47B 23/00;
A47B 2200/00; A47B 2200/008; A47B
1/08; A47B 2001/085; A47B 23/046;
A47B 2023/047; A47B 2200/0031; A47B
2200/05; A47B 13/081; A47B 13/023

See application file for complete search history.

(56) **References Cited**

U.S. PATENT DOCUMENTS

D255,519 S *	6/1980	Friedman	D6/691.9
D488,320 S *	4/2004	De Blois	D6/691.9
D500,215 S *	12/2004	Winter	D6/662.1
D541,559 S *	5/2007	Lewis	D6/691.8
D584,532 S *	1/2009	Mohundro	D6/686
D584,540 S *	1/2009	Mohundro	D6/686
D792,136 S *	7/2017	High	D6/686
D837,578 S *	1/2019	Rundle	D6/686
D891,161 S *	7/2020	Velez	D6/691.9

* cited by examiner

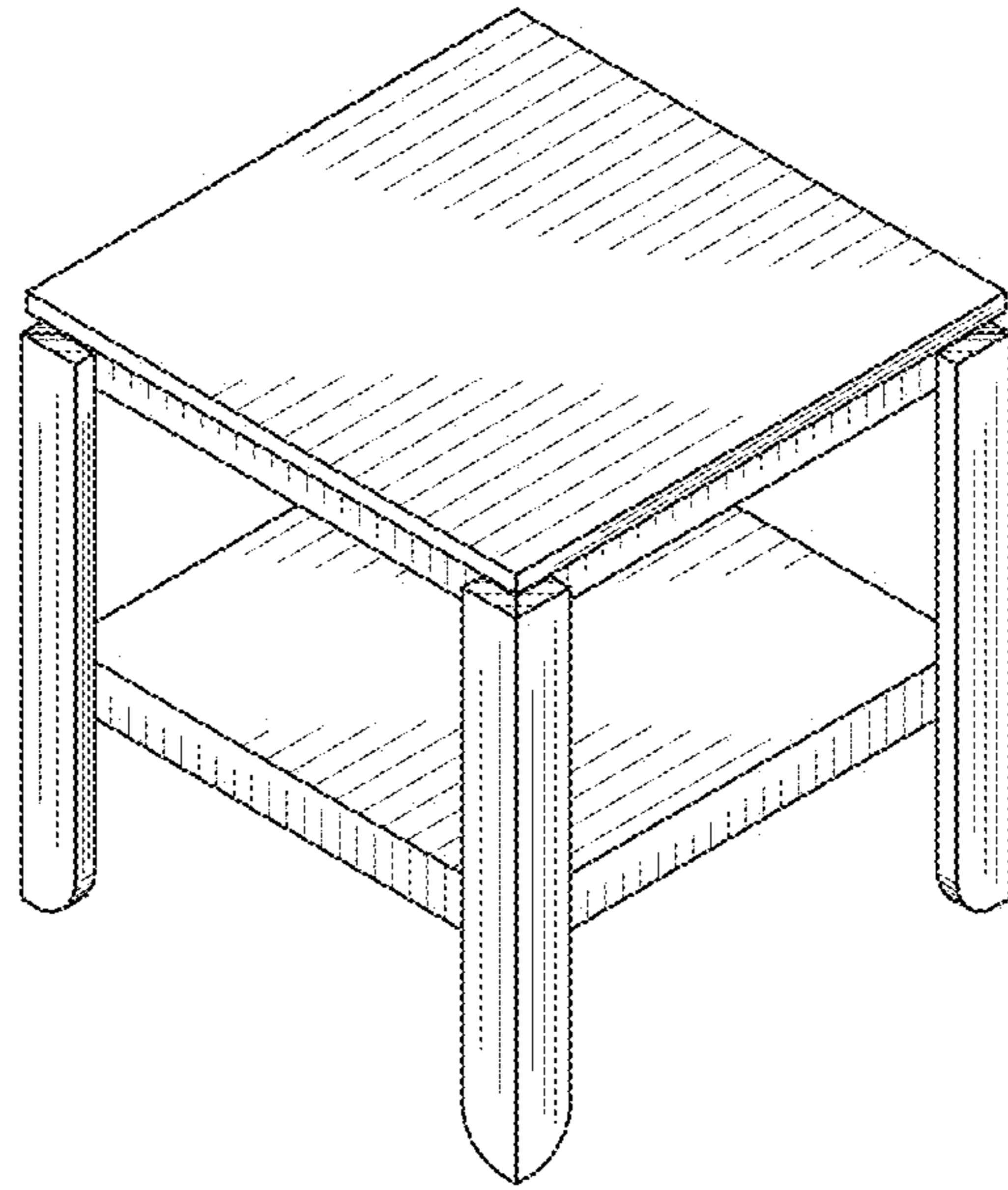


FIG. 1

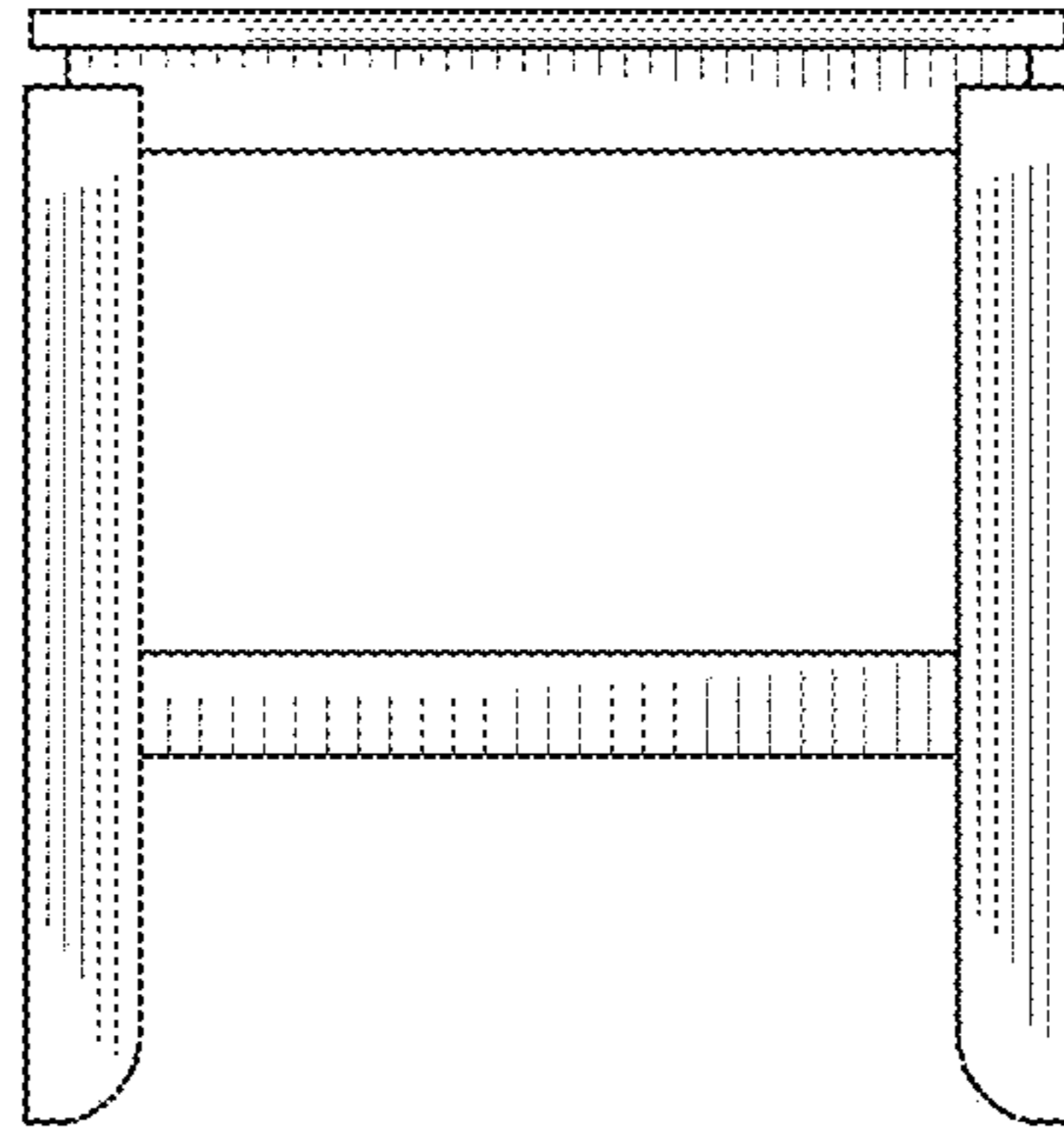


FIG. 2

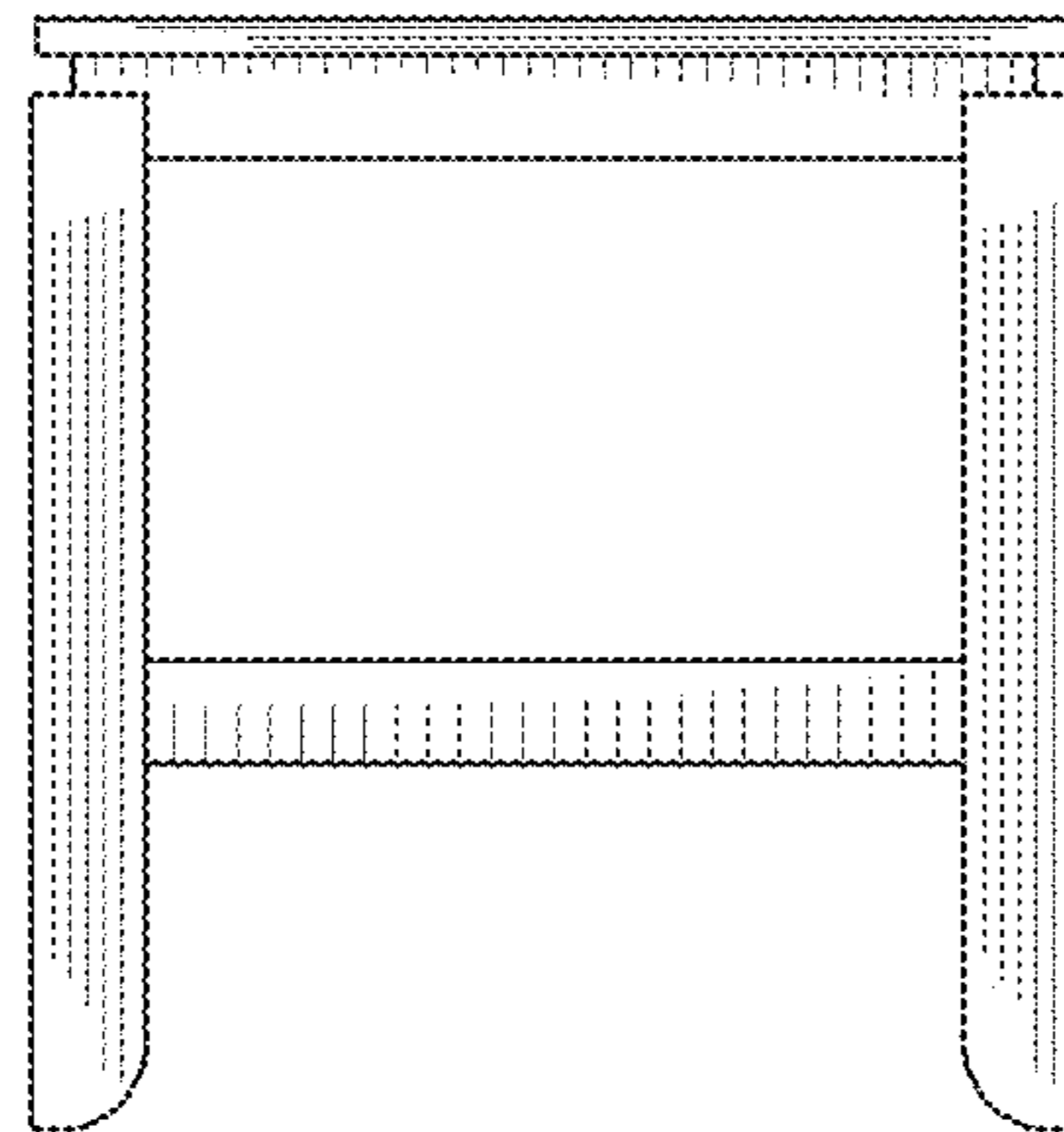


FIG. 3

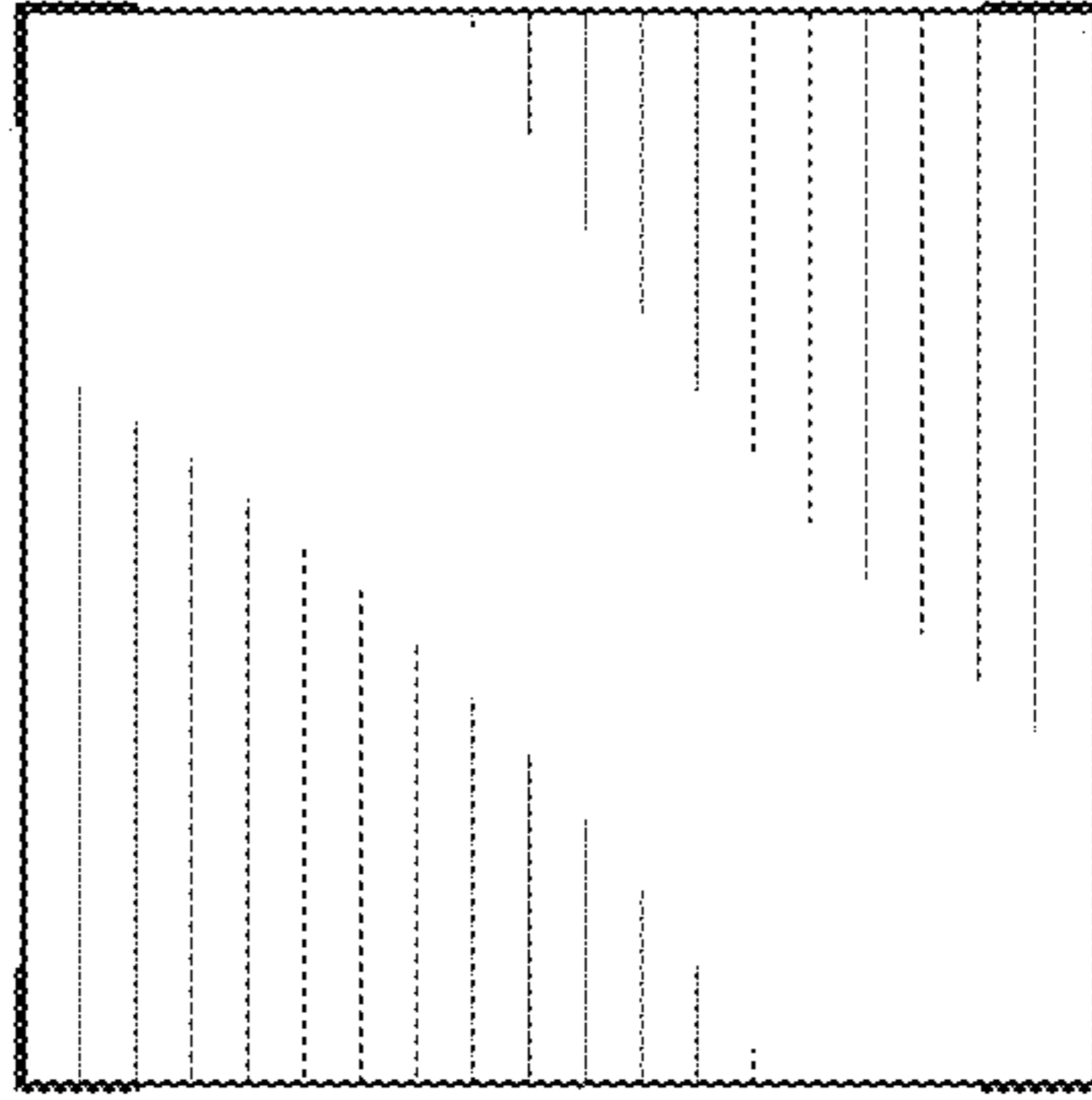


FIG. 4

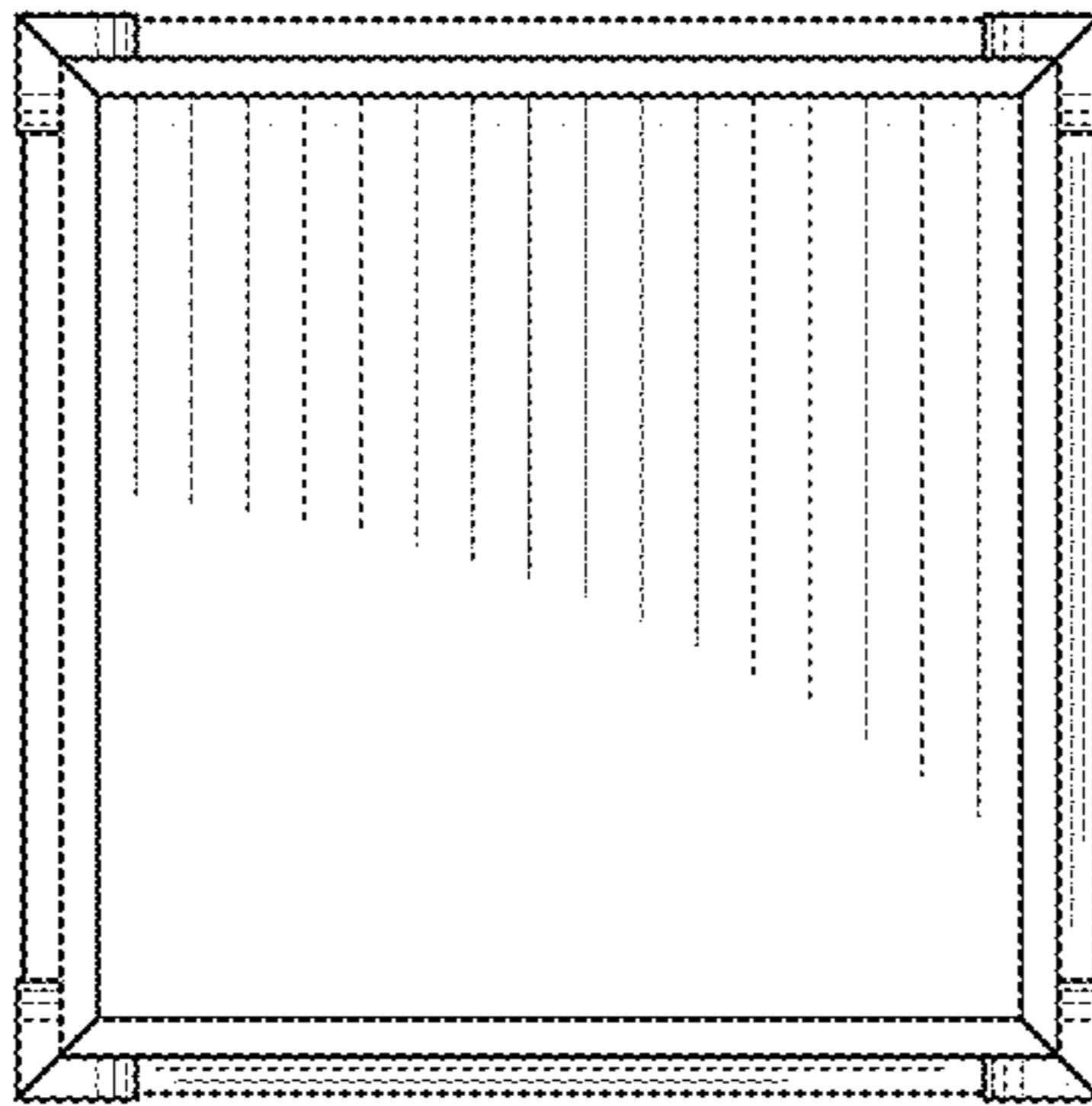


FIG. 5

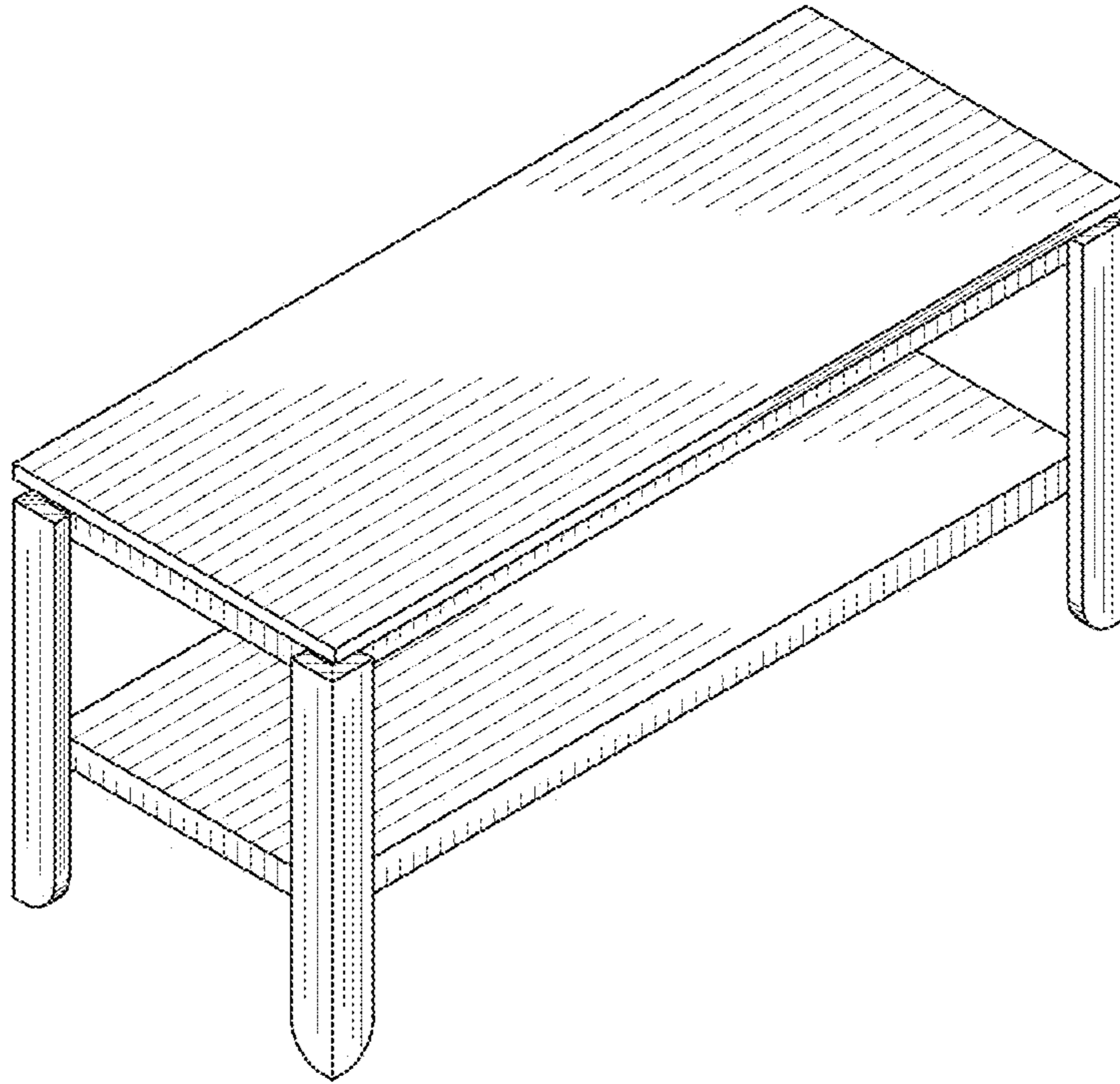


FIG. 6

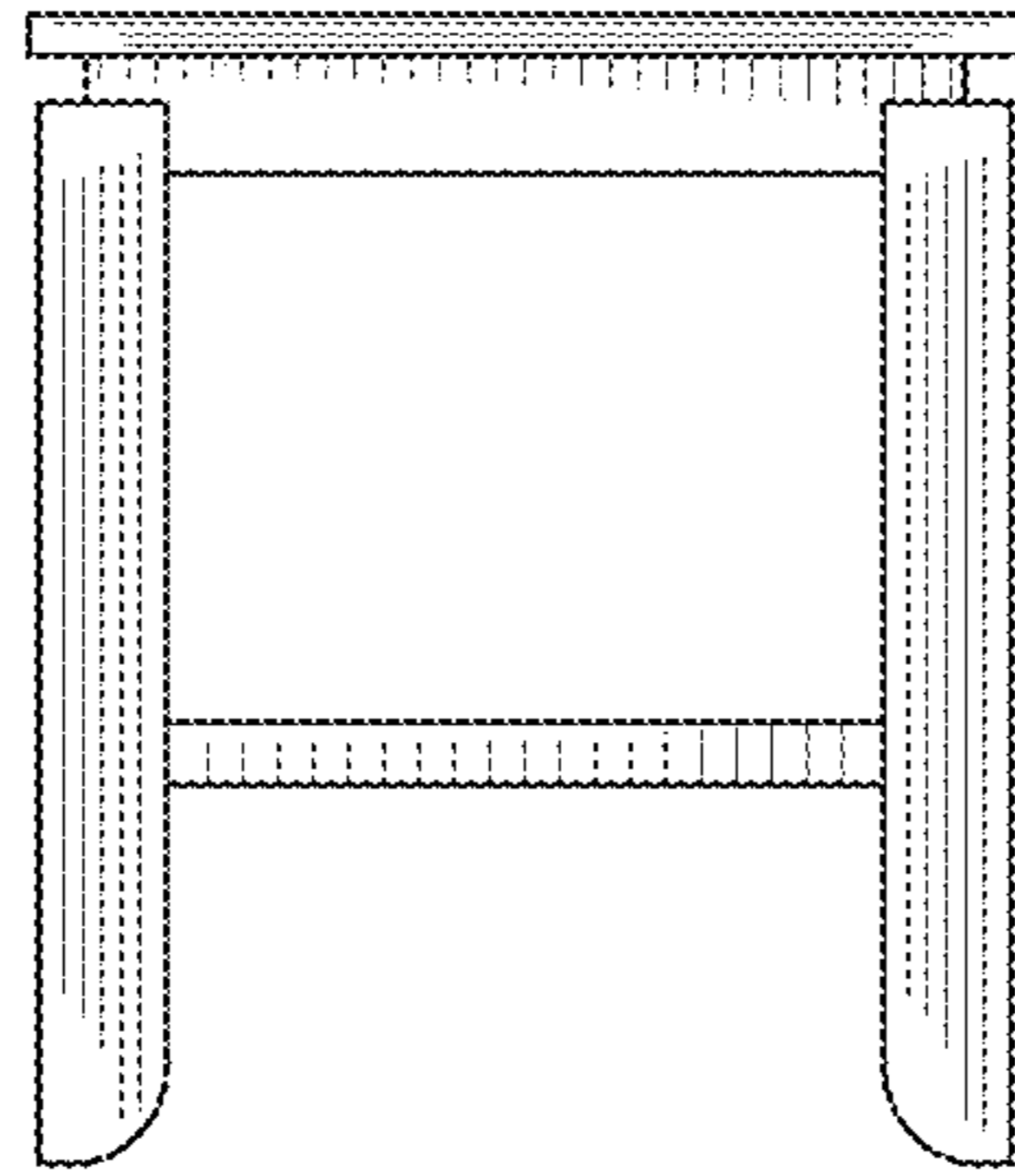


FIG. 7

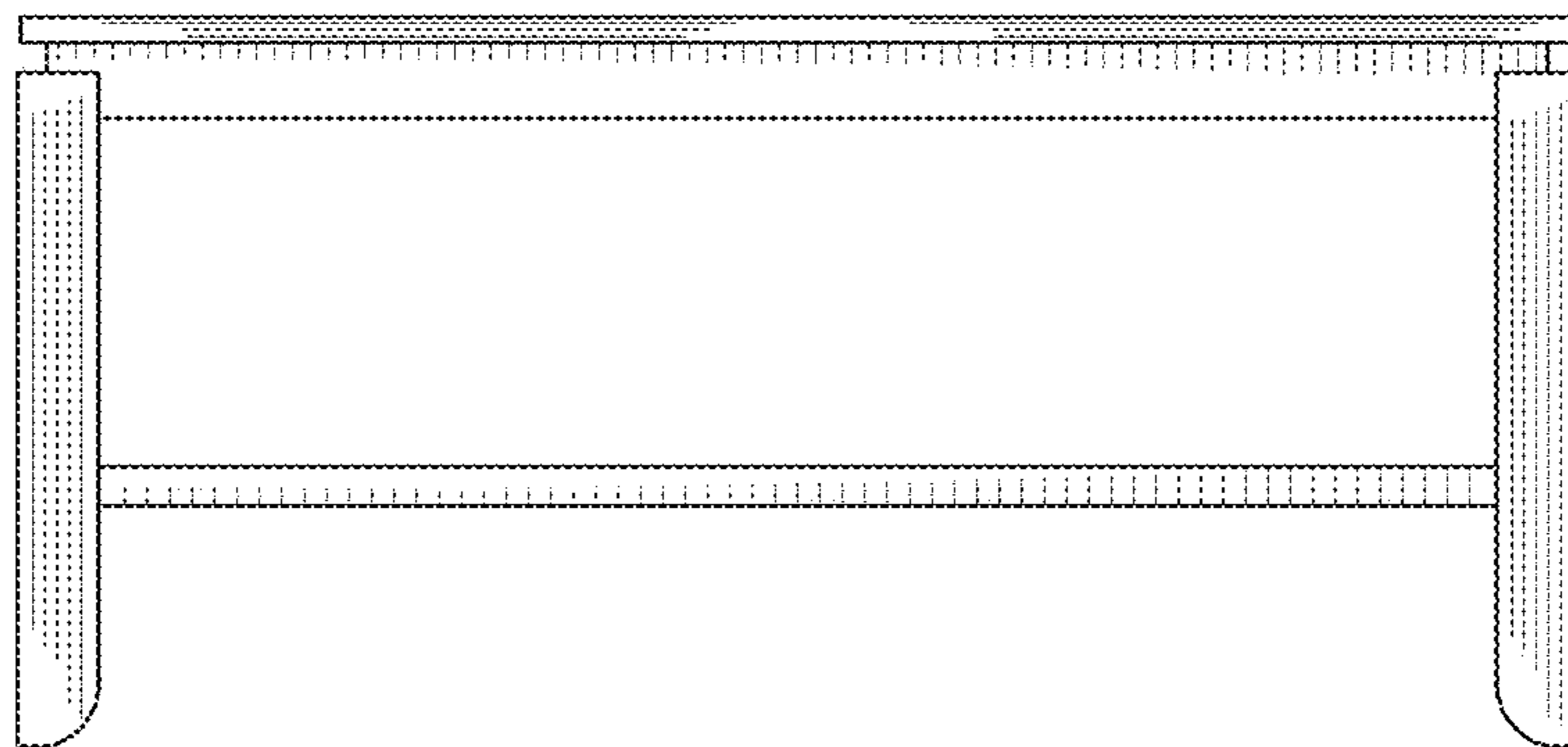


FIG. 8

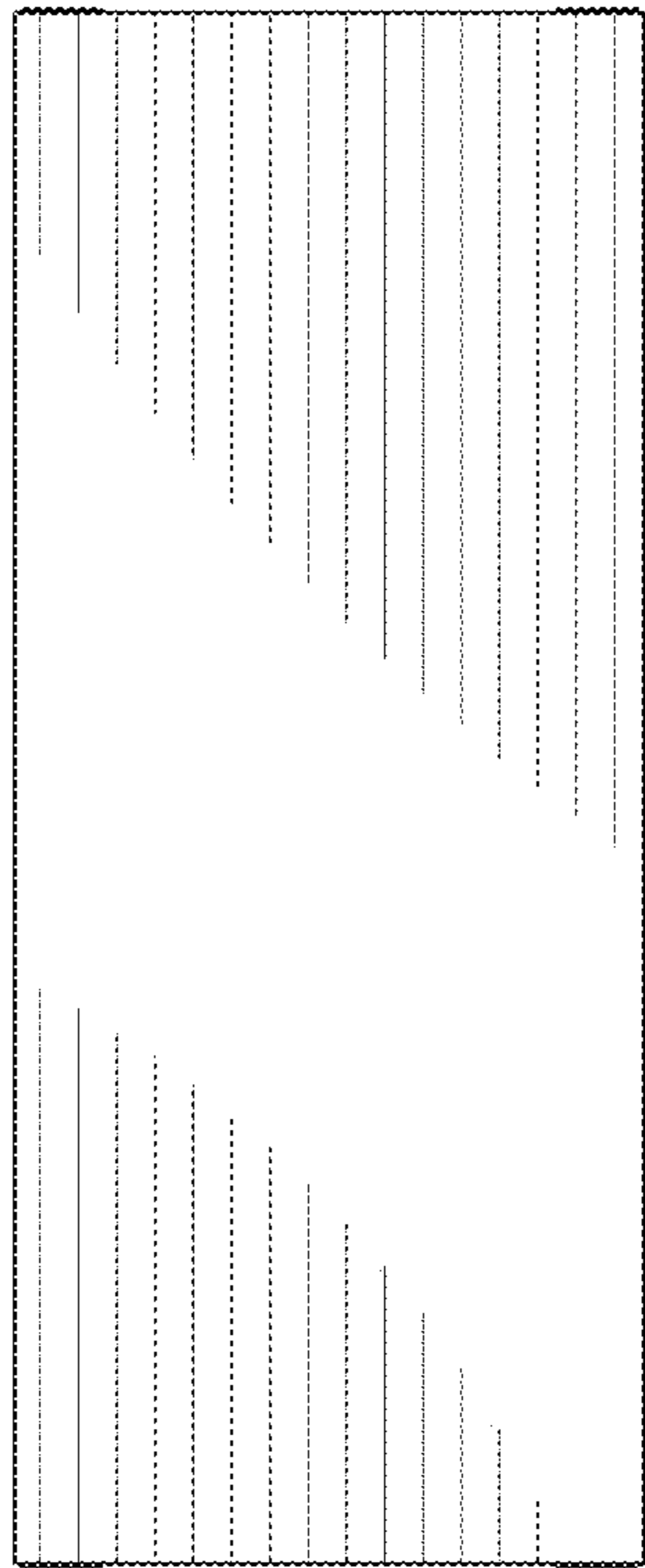


FIG. 9

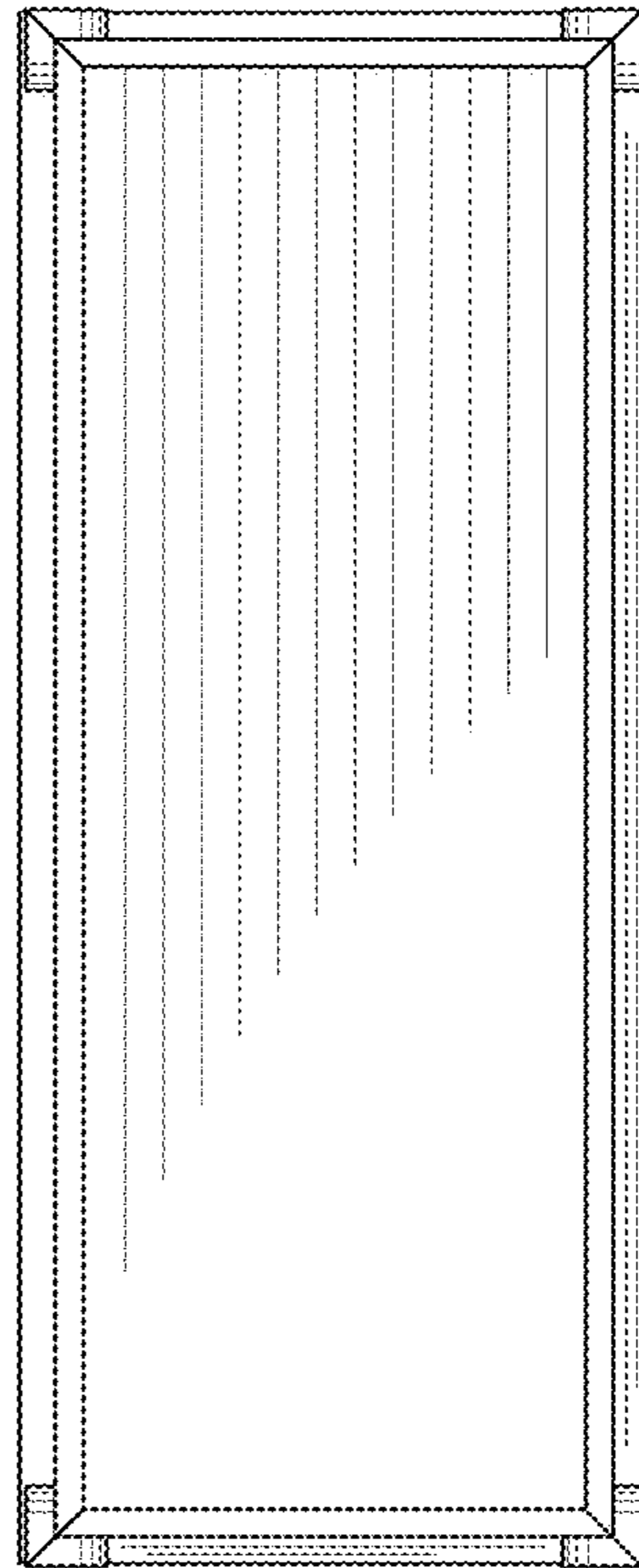


FIG. 10

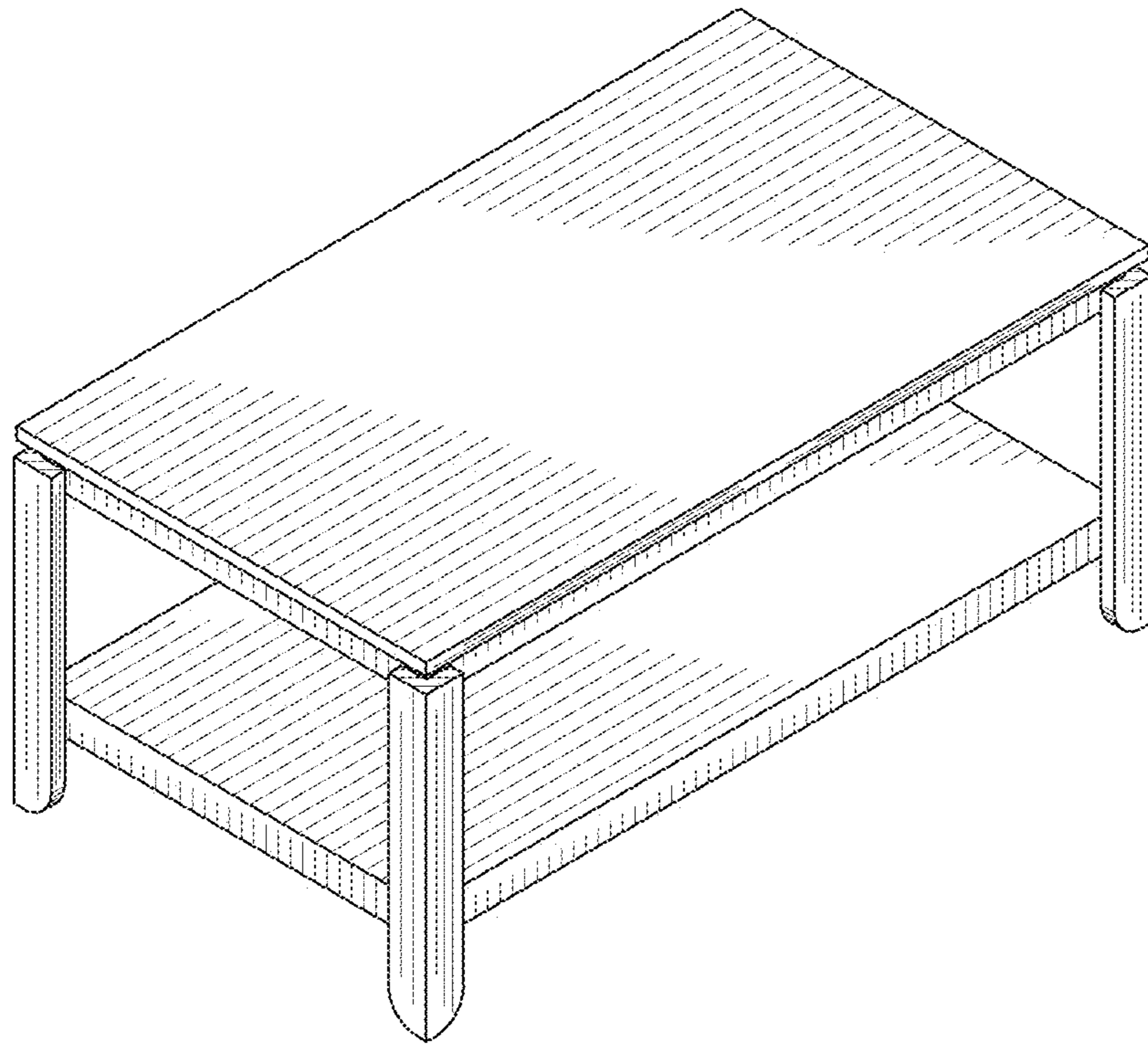


FIG. 11

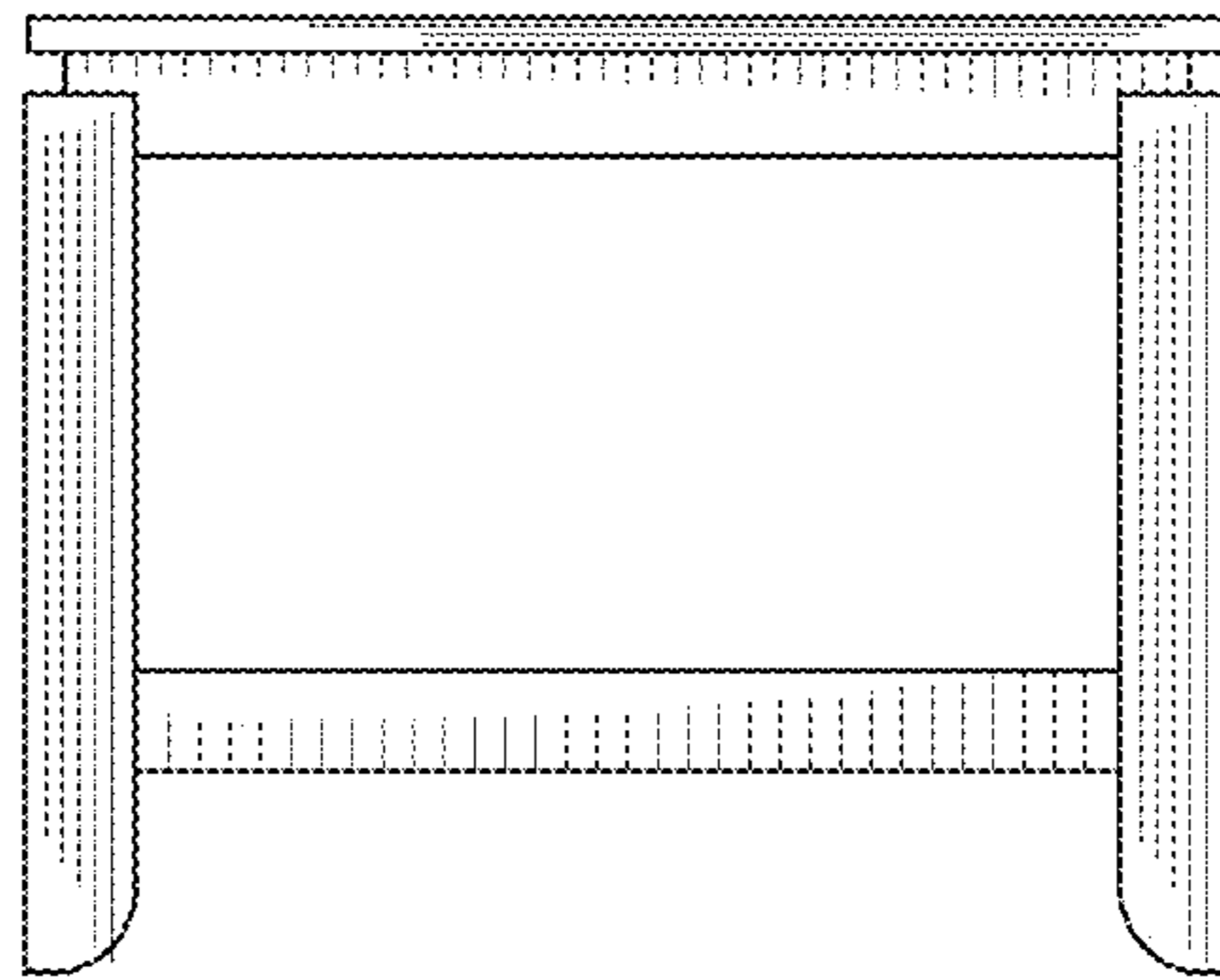


FIG. 12

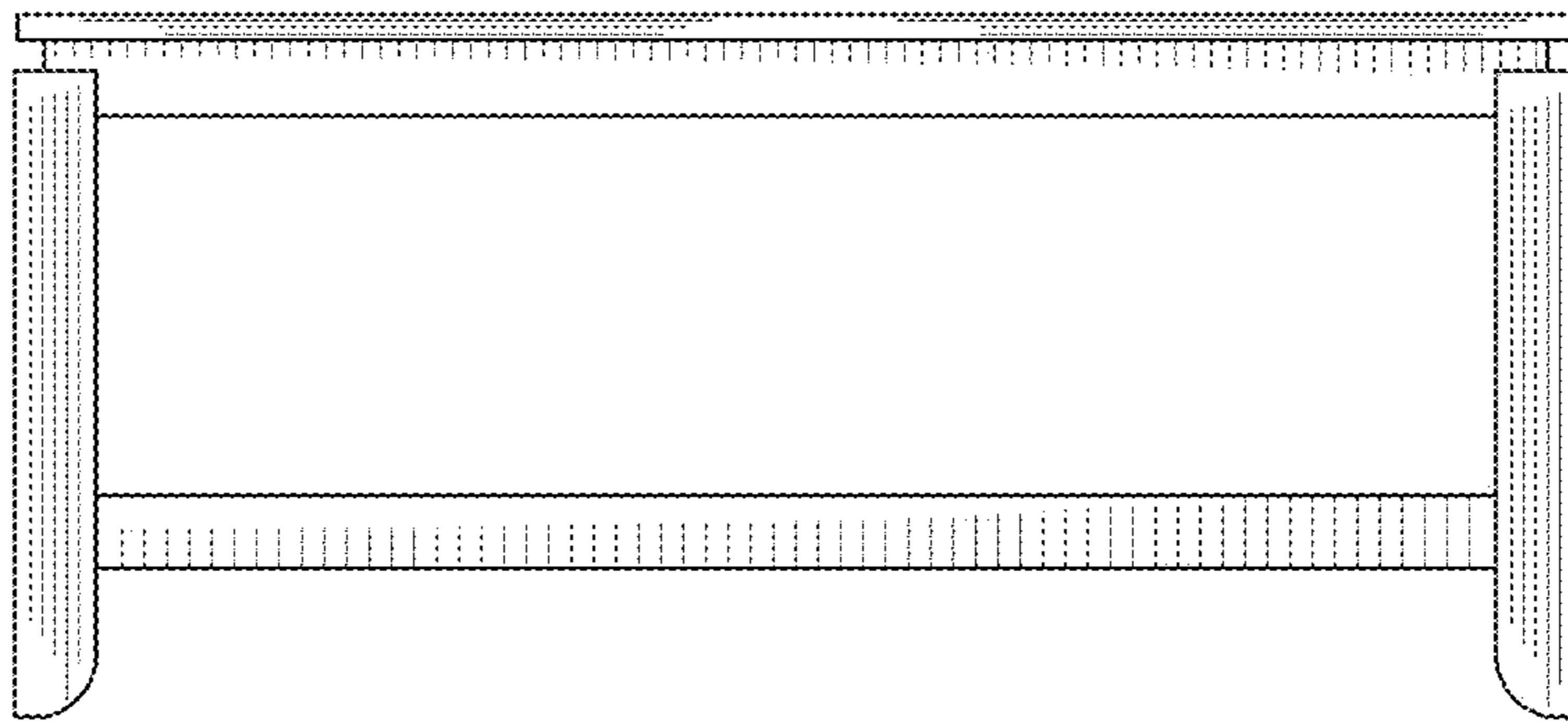


FIG. 13

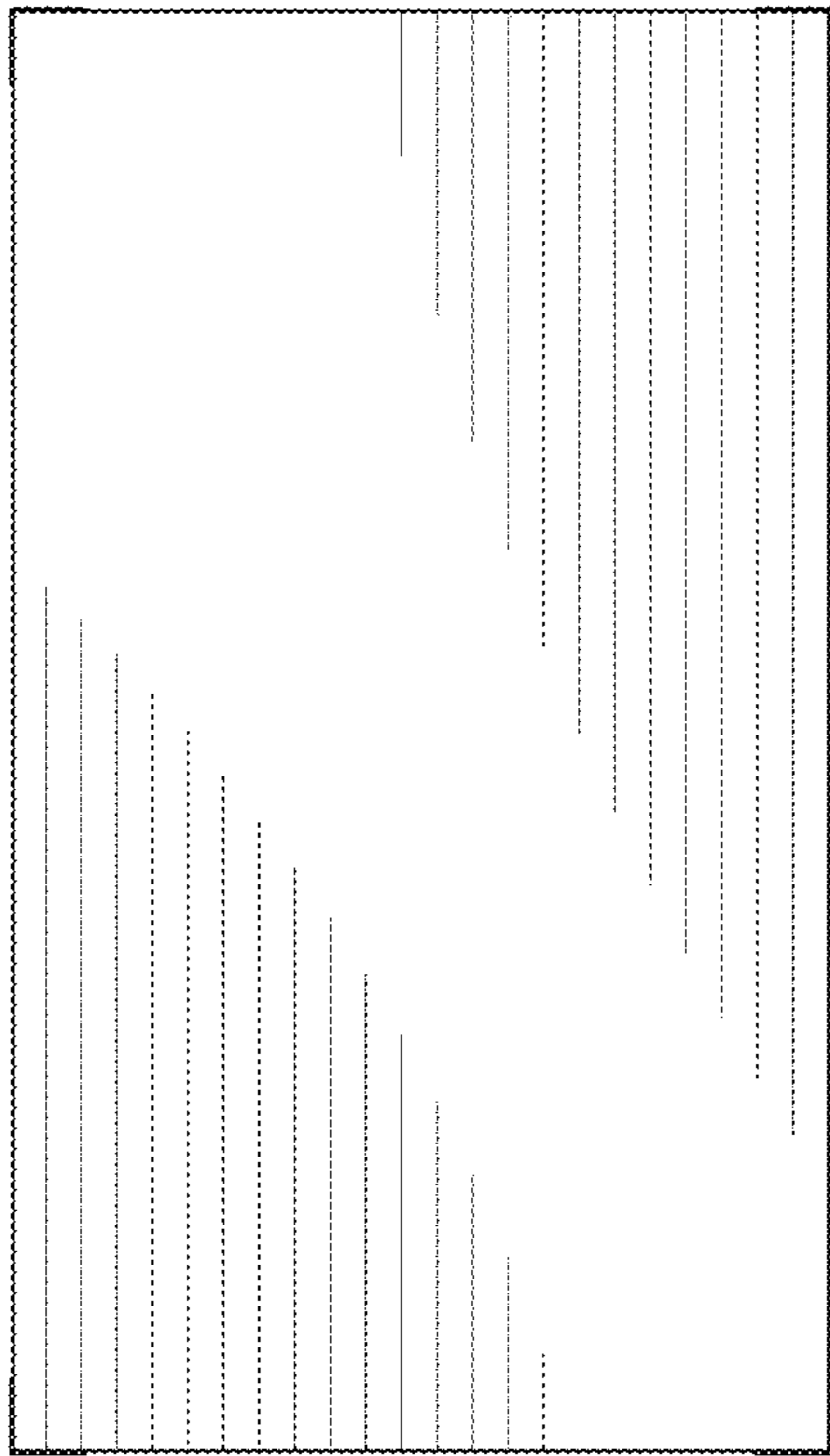


FIG. 14

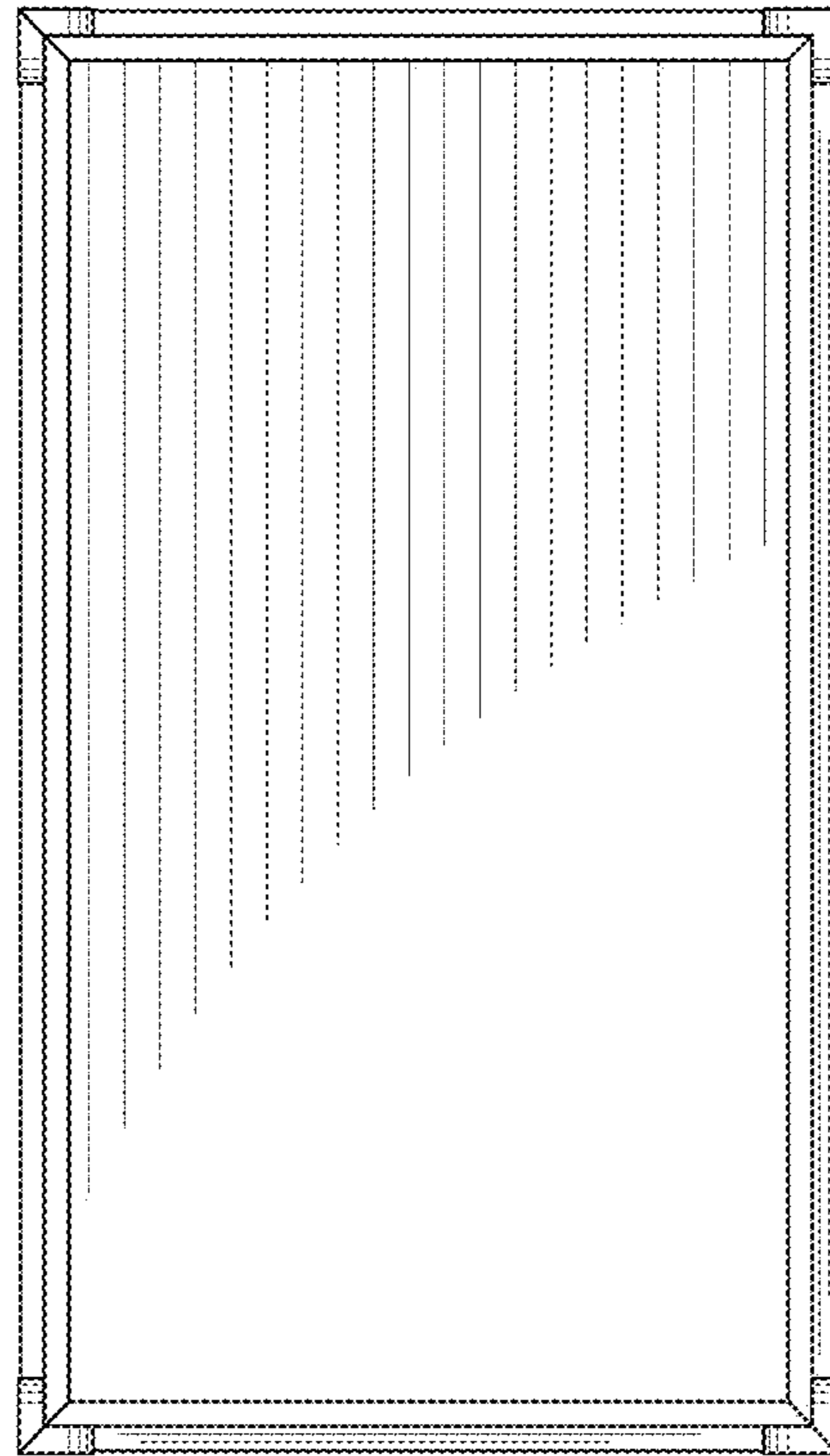


FIG. 15

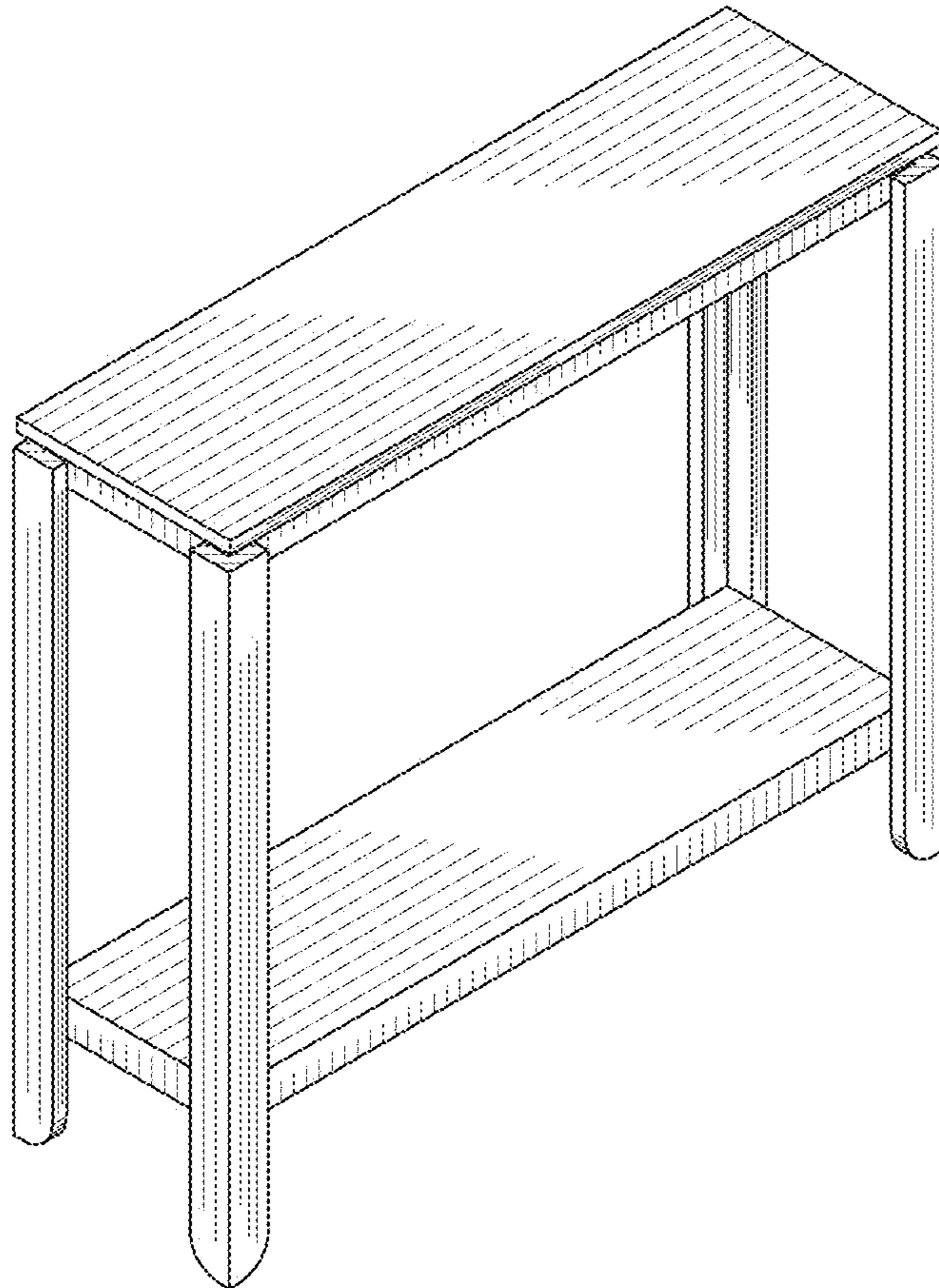


FIG. 16

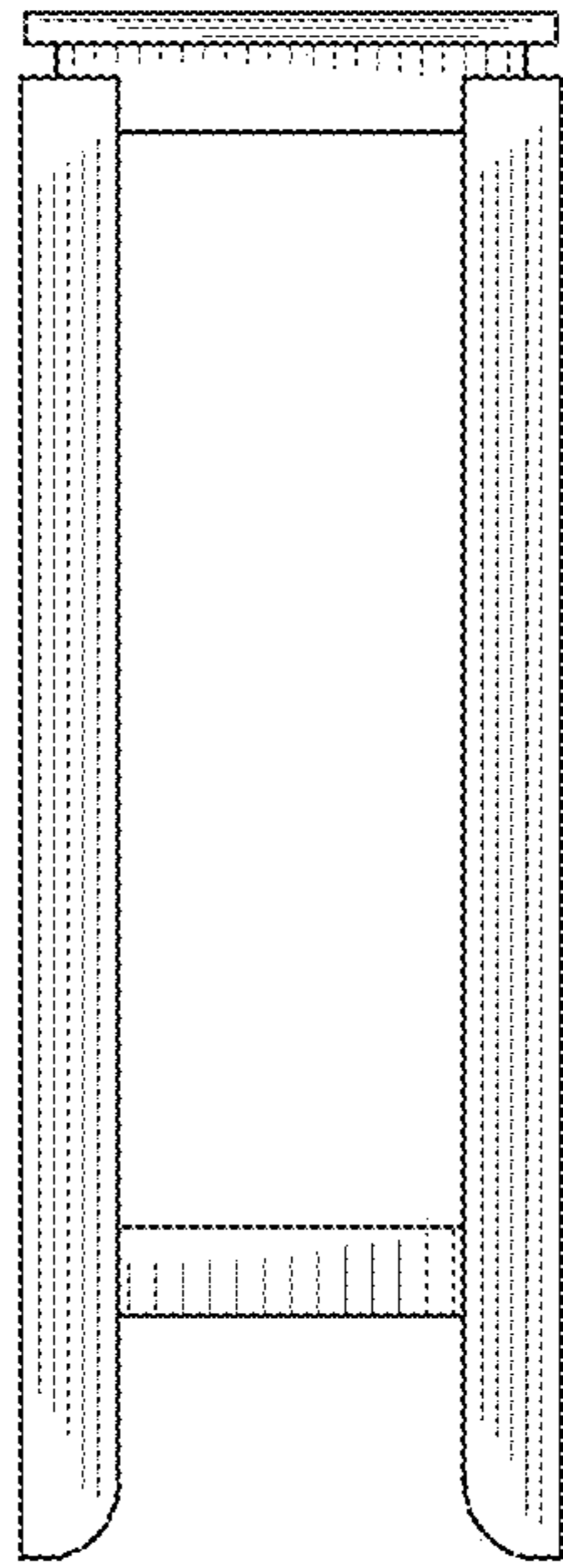


FIG. 17

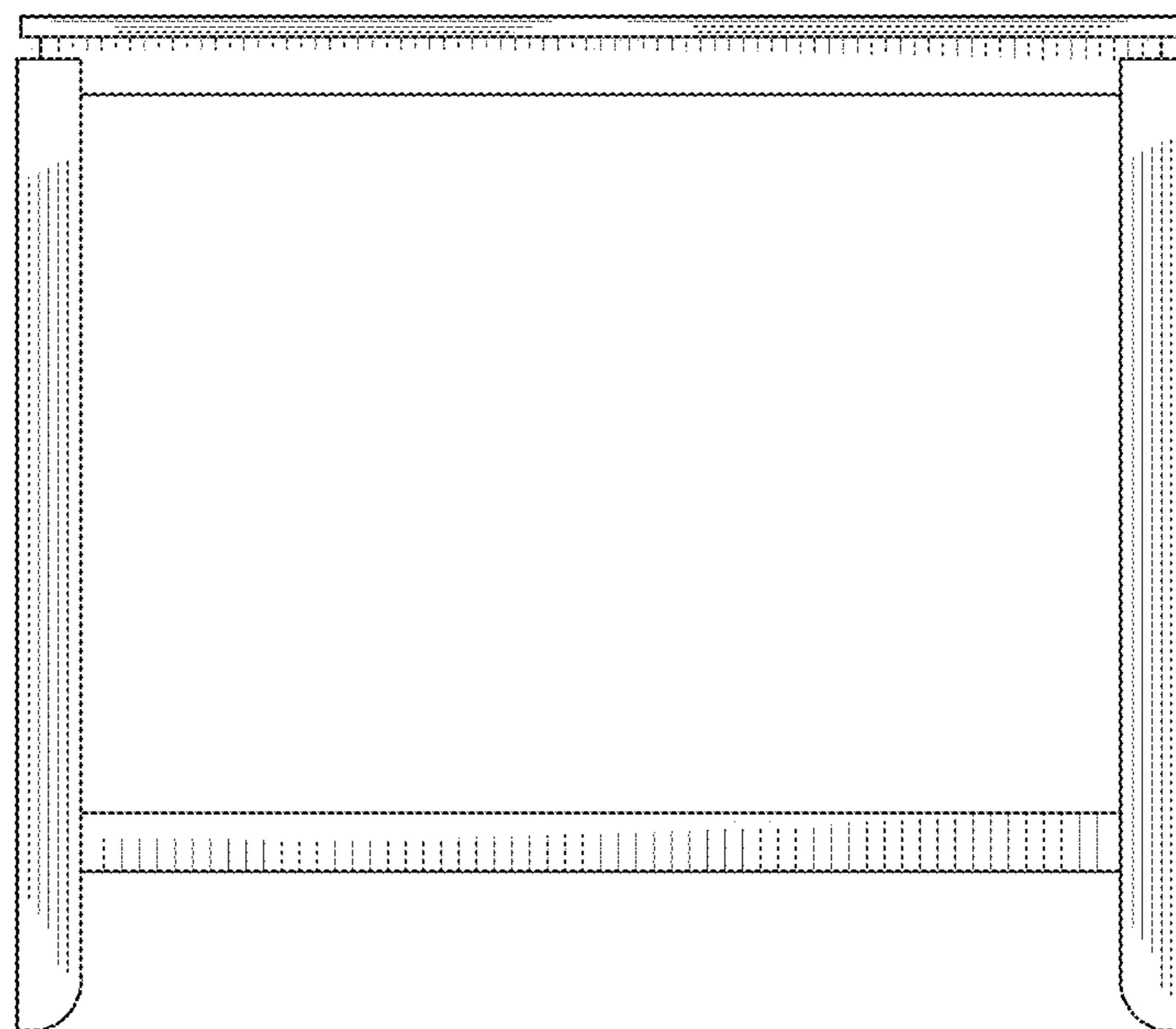


FIG. 18

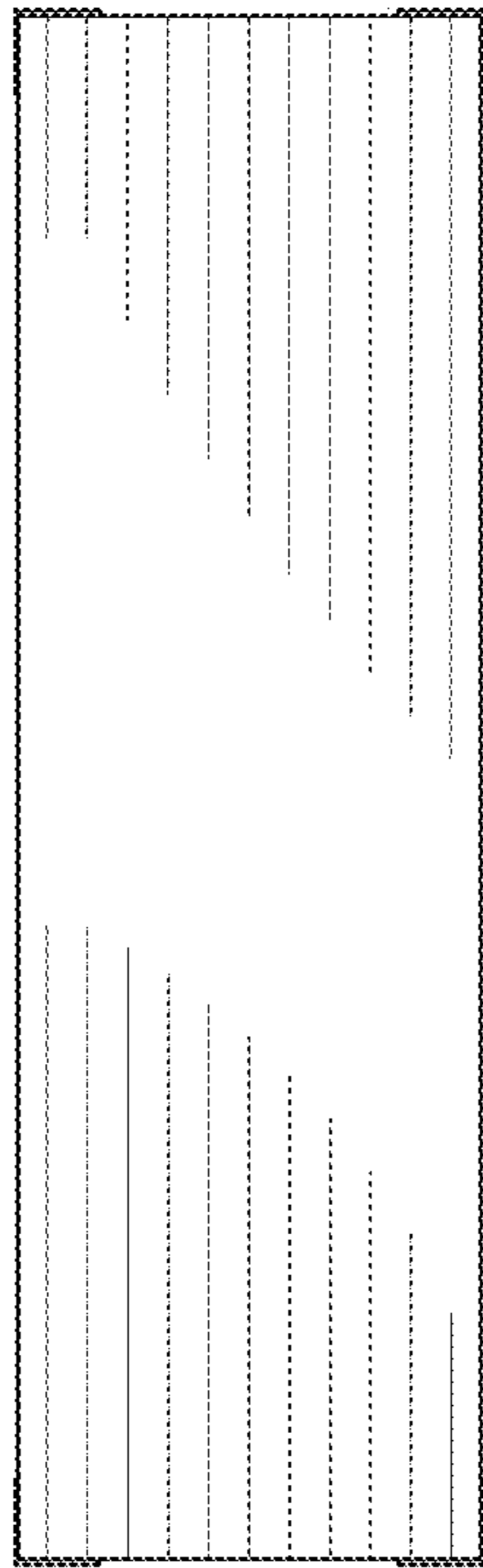


FIG. 19

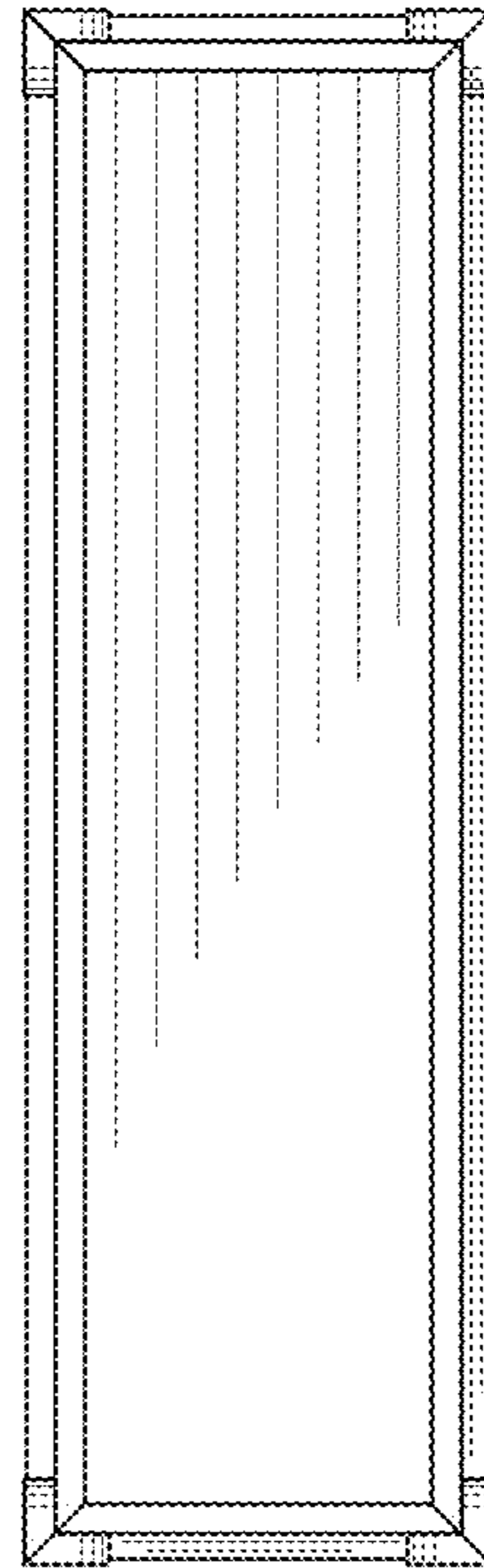


FIG. 20