



US00D989522S

(12) **United States Design Patent**
Symons

(10) **Patent No.:** **US D989,522 S**
(45) **Date of Patent:** **** Jun. 20, 2023**

(54) **COMBINED ACOUSTIC WORKSPACE AND TABLE**

(71) Applicant: **BuzziSpace NV**, Kontich (BE)

(72) Inventor: **Steve Symons**, Knokke (BE)

(73) Assignee: **BuzziSpace NV**, Kontich (BE)

(**) Term: **15 Years**

(21) Appl. No.: **29/783,173**

(22) Filed: **May 11, 2021**

(51) **LOC (14) Cl.** **06-03**

(52) **U.S. Cl.**
USPC **D6/643**; D6/643.1; D6/644; D6/698;
D6/714

(58) **Field of Classification Search**

USPC D6/332, 335, 337, 338, 364, 640, 641,
D6/642, 643, 643.1, 644, 648, 648.1, 653,
D6/653.1, 654, 655.14, 686, 687, 693,
D6/698, 699, 708, 714; D25/16
CPC A47B 9/04; A47B 2009/043; A47B 9/20;
A47B 9/18; A47B 2009/185; A47B 9/00;
A47B 3/002; A47B 9/10; A47B 9/12

See application file for complete search history.

(56) **References Cited**

U.S. PATENT DOCUMENTS

D371,206 S * 6/1996 Priestley D25/1
D638,551 S * 5/2011 Gann D25/16
D732,691 S * 6/2015 Hallfors D25/16
D733,441 S * 7/2015 McGrath D6/335
D740,058 S * 10/2015 Bouroullec D6/643.1
D744,256 S * 12/2015 Schoors D25/16
D785,374 S * 5/2017 Holbrook D6/643
D788,495 S * 6/2017 Bouroullec D6/643.1
D789,551 S * 6/2017 Mayer D25/16
D809,808 S * 2/2018 Sarkkinen D6/337
D816,244 S * 4/2018 Mayer D25/16
D831,988 S * 10/2018 Passmore D6/334

D849,454 S * 5/2019 Webb D6/643.1
D872,302 S * 1/2020 Tibi D25/16
D873,437 S * 1/2020 Zhu D25/16
D908,918 S * 1/2021 Zhu D25/16
D915,779 S * 4/2021 Clarke D6/337
10,975,564 B2 * 4/2021 Watanabe E04H 1/1205
D941,612 S * 1/2022 Wurm D6/643
D952,374 S * 5/2022 Spiljaric D6/643
D952,375 S * 5/2022 Spiljaric D6/643
D965,819 S * 10/2022 Yamanashi D25/16
D965,996 S * 10/2022 Bell D25/56
D970,042 S * 11/2022 Sobiepanek D25/16

(Continued)

OTHER PUBLICATIONS

Buzziring, posted at cms.buzzi.space, posted on Aug. 6, 2020, site visited Mar. 30, 2023. online, available from internet: https://cms.buzzi.space/files/attachments/.9013/5544_PSS_BuzziRing_v02.pdf (Year: 2020).*

Primary Examiner — Catherine Ho

(74) Attorney, Agent, or Firm — Holland & Hart LLP

(57) **CLAIM**

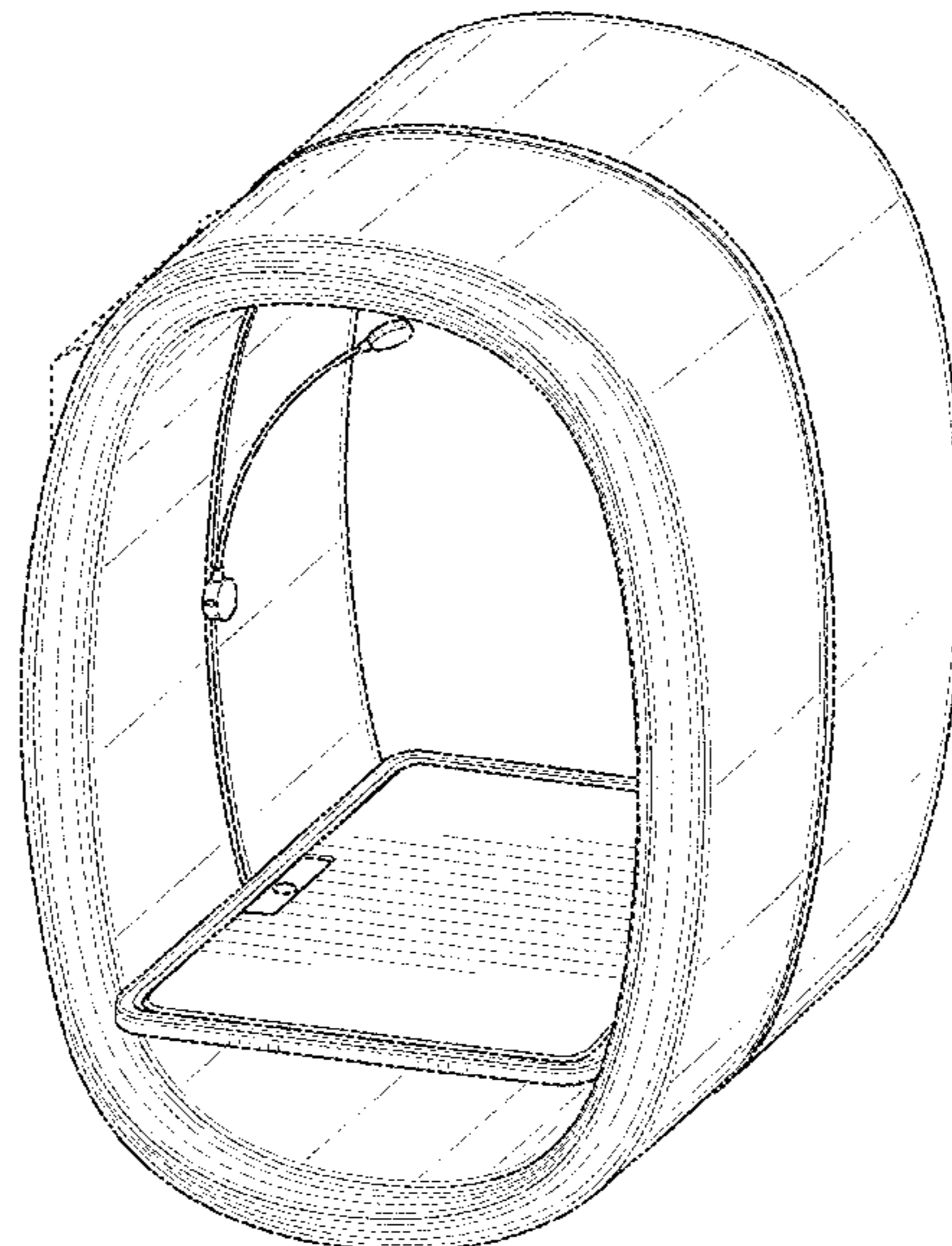
I claim the ornamental design for a combined acoustic workspace and table, as shown and described.

DESCRIPTION

FIG. 1 is a perspective view of a combined acoustic workspace and table, showing my new design;
FIG. 2 is a front view thereof;
FIG. 3 is a back view thereof;
FIG. 4 is a left side view thereof;
FIG. 5 is a right side view thereof;
FIG. 6 is a top view thereof; and,
FIG. 7 is a bottom view thereof.

Any broken lines in the drawing views are included for the purpose of illustrating environment and form no part of the claimed design.

1 Claim, 4 Drawing Sheets



(56)

References Cited

U.S. PATENT DOCUMENTS

D977,676 S * 2/2023 Wall D25/16
D978,379 S * 2/2023 Kjellberg D25/16

* cited by examiner

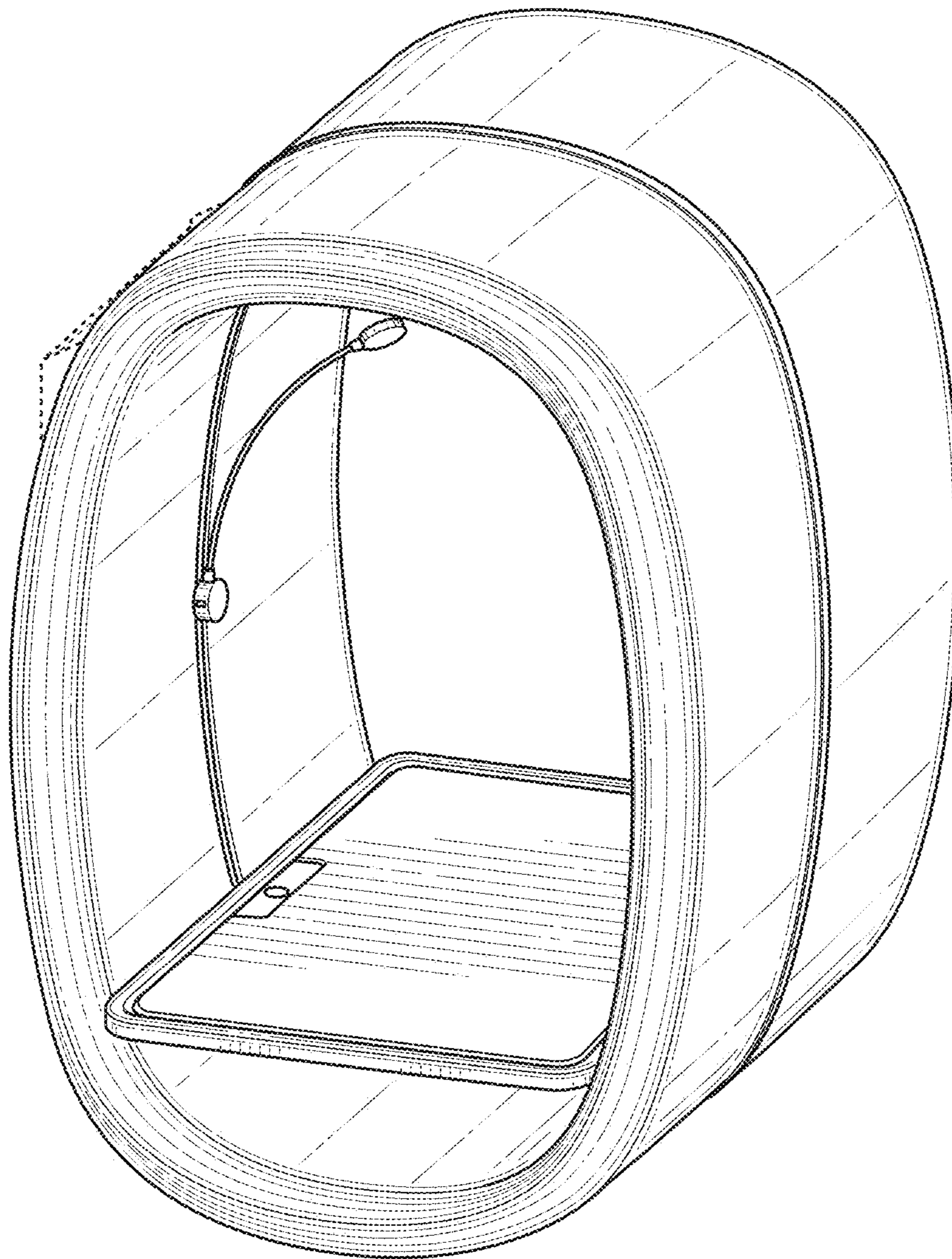


FIG. 1

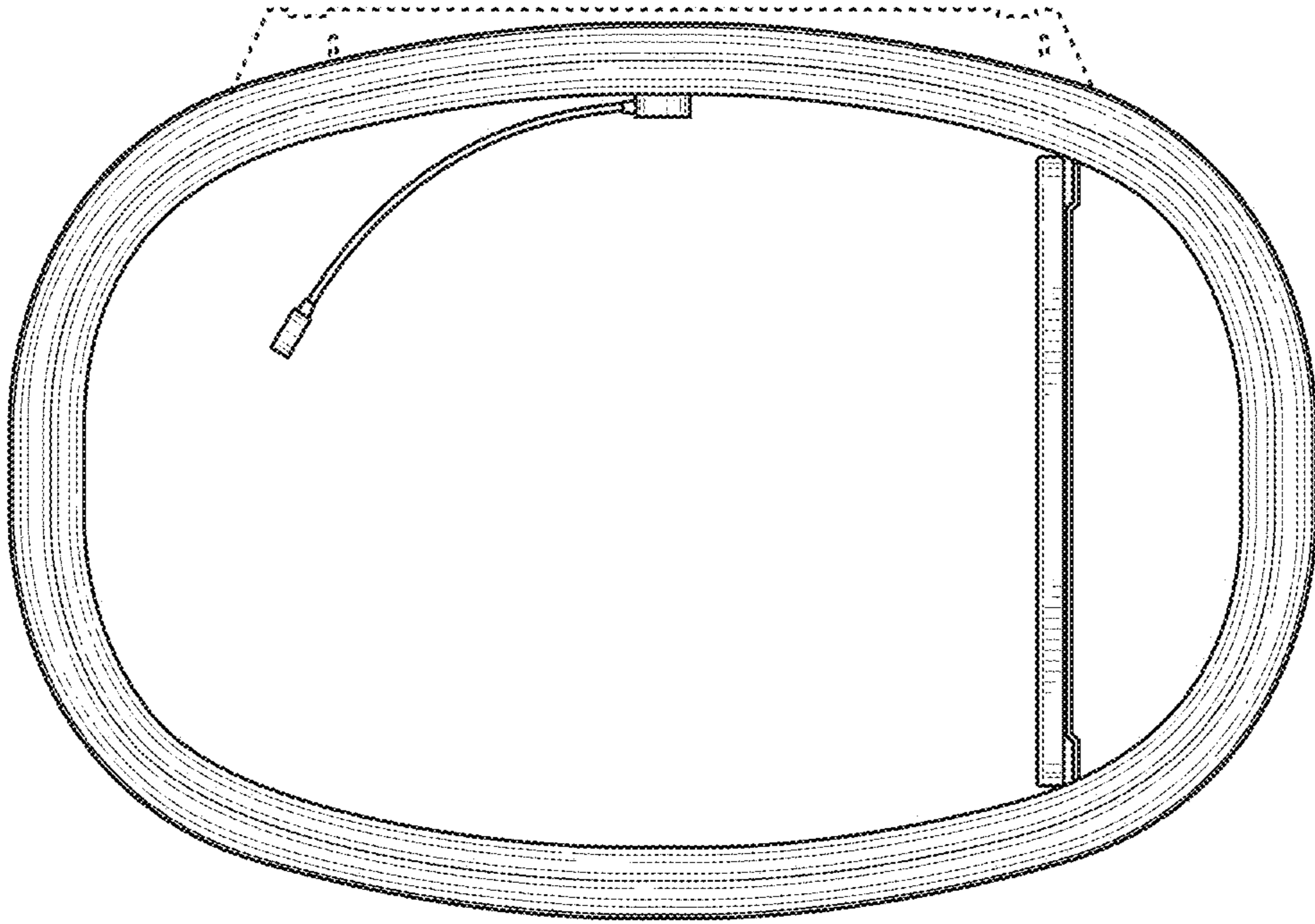


FIG. 3

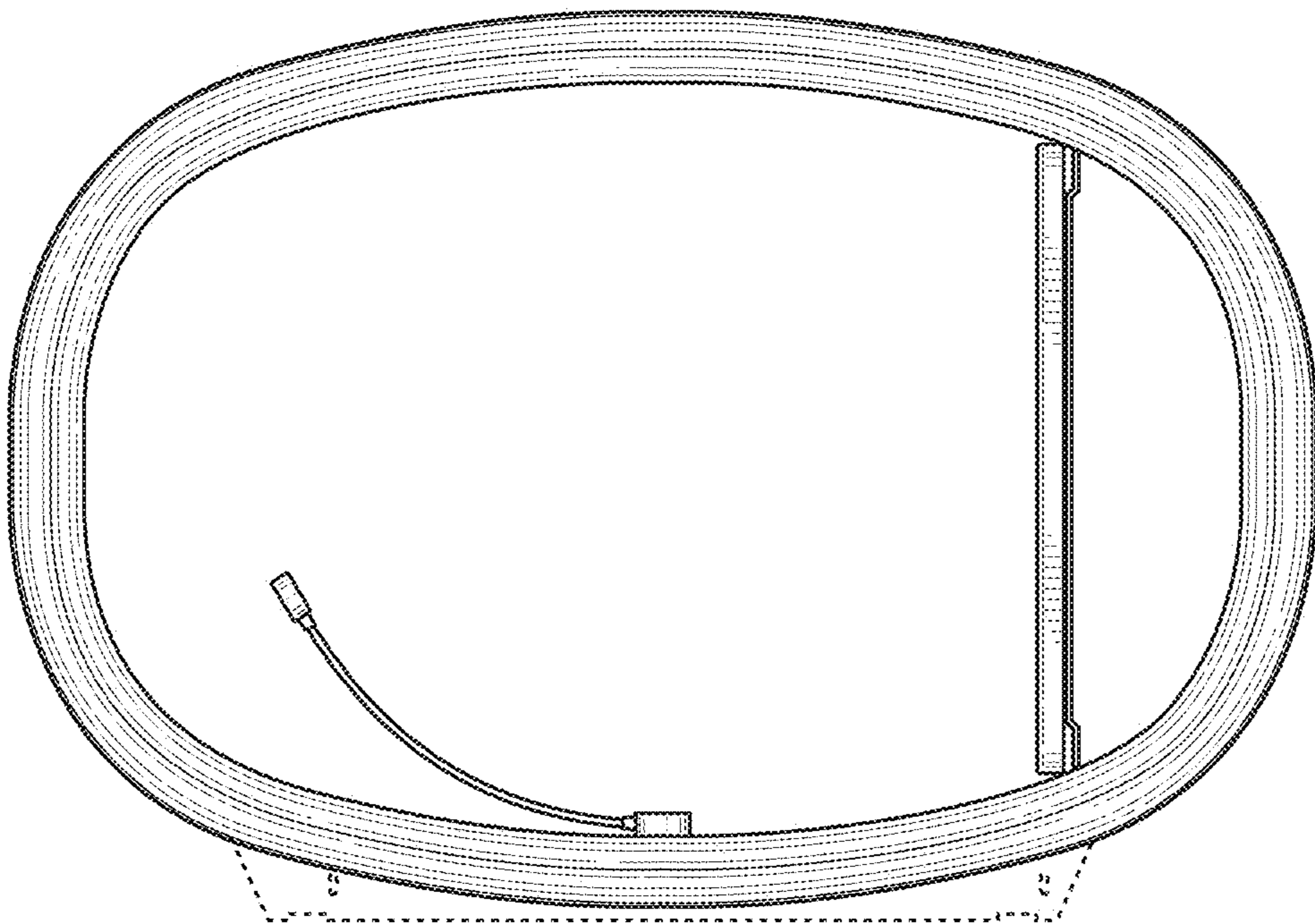


FIG. 2

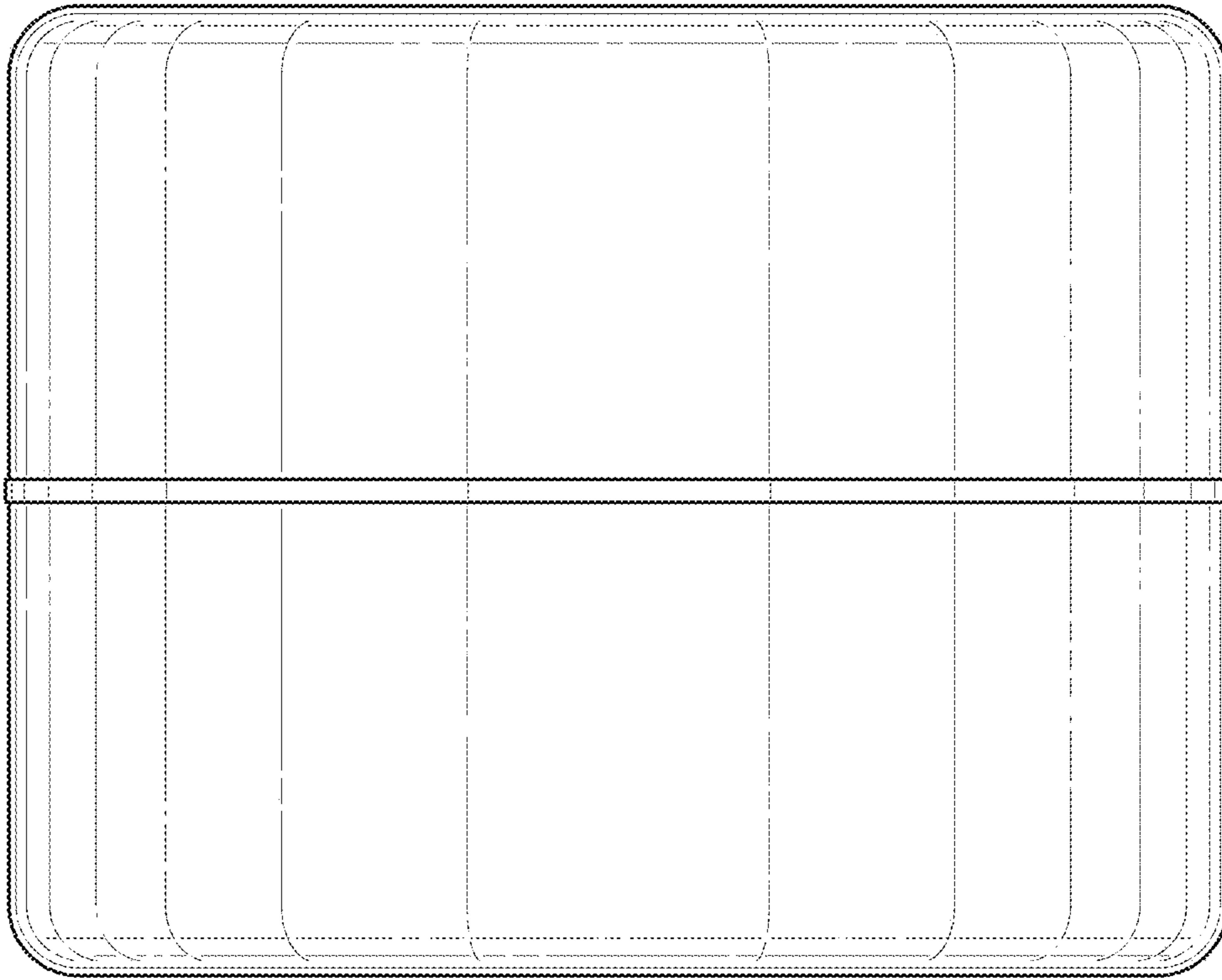


FIG. 5

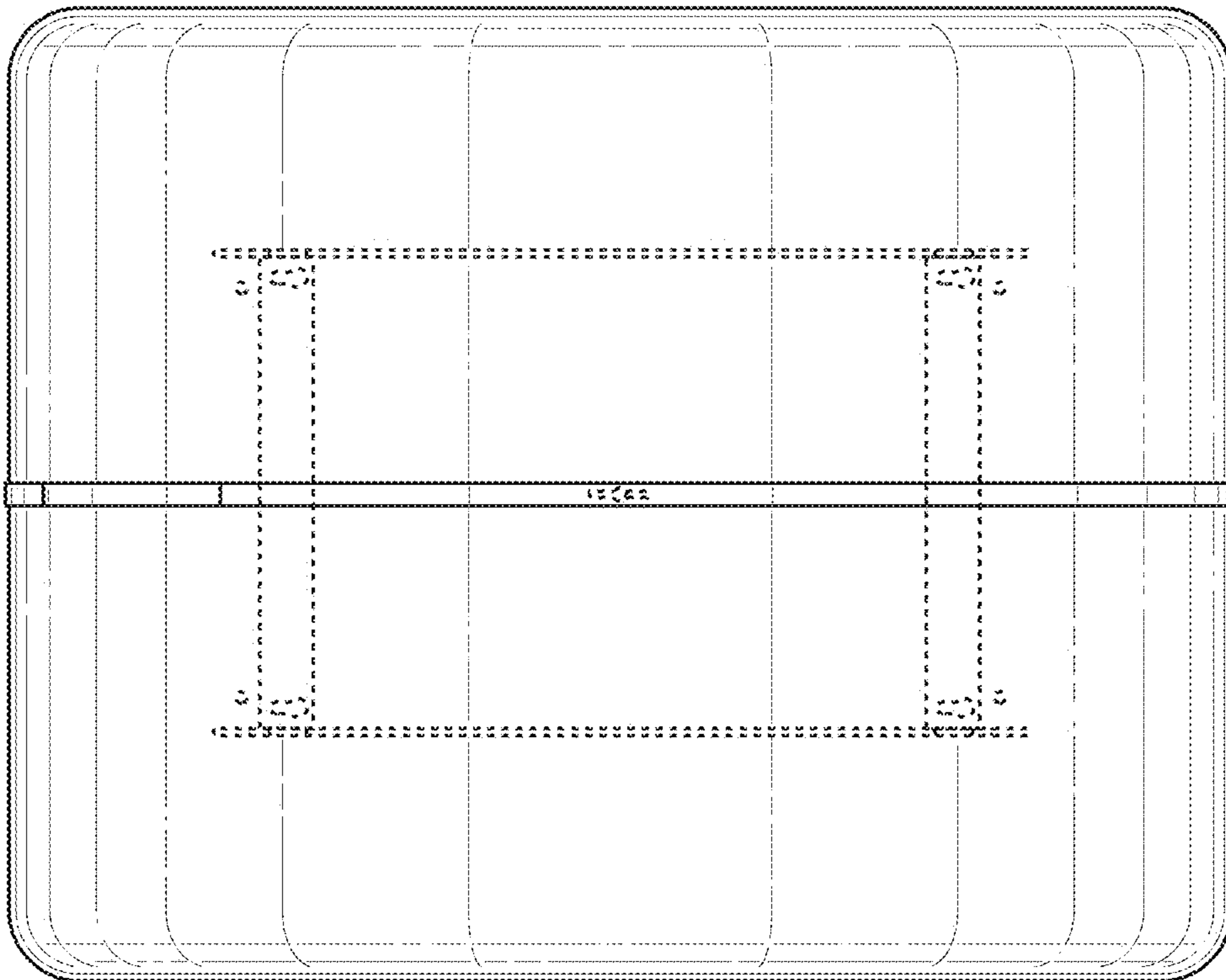


FIG. 4

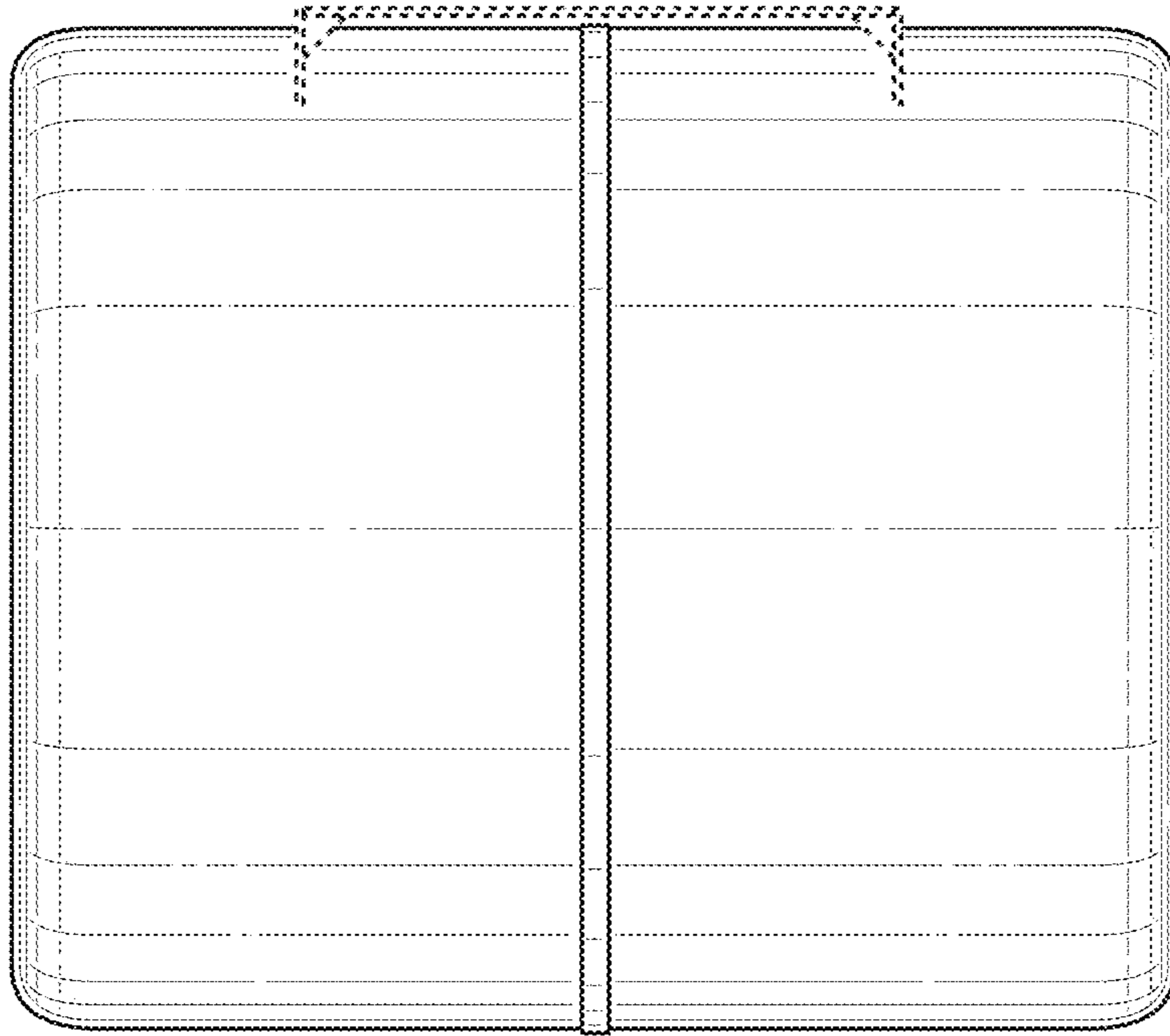


FIG. 7

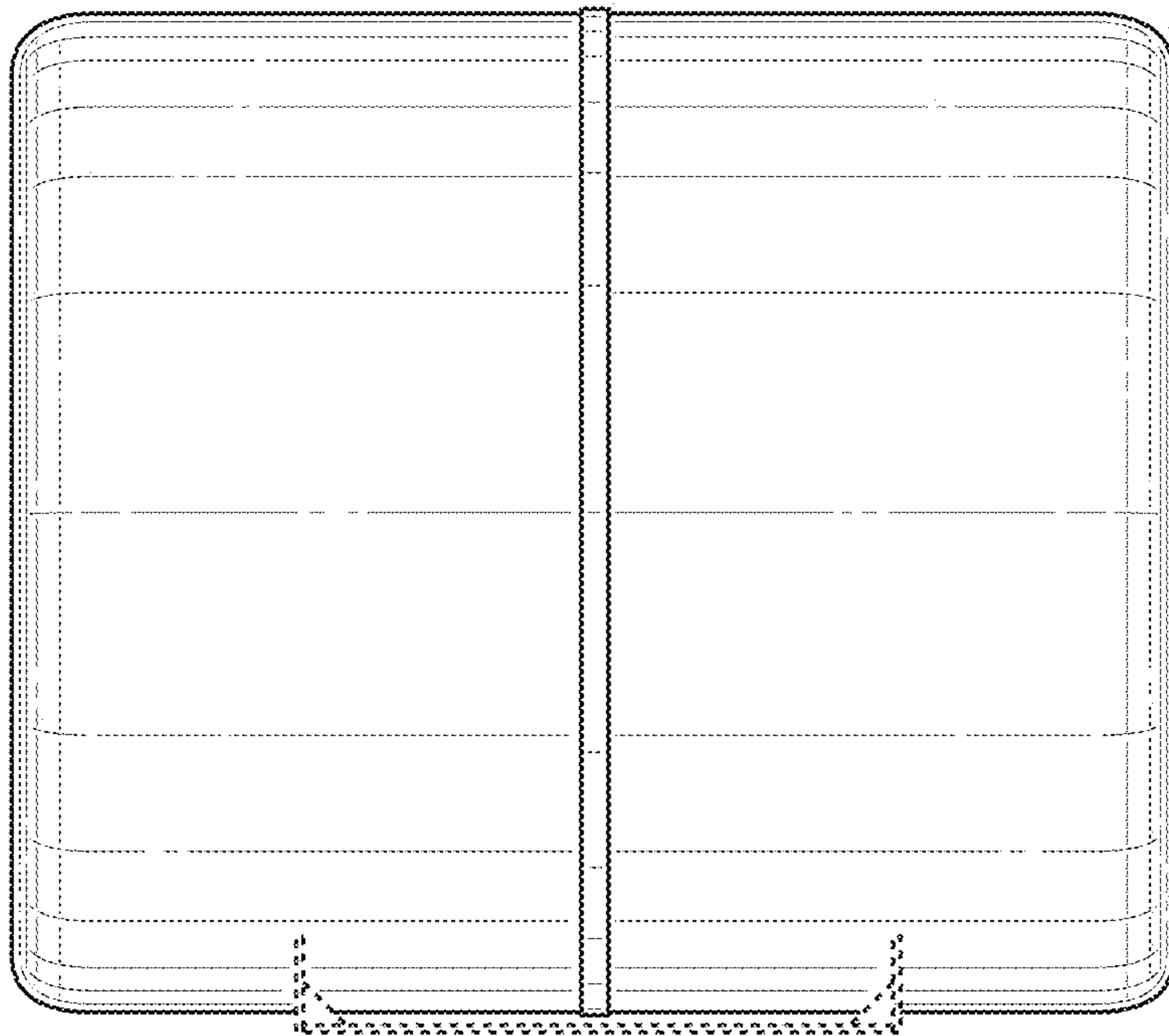


FIG. 6

UNITED STATES PATENT AND TRADEMARK OFFICE
CERTIFICATE OF CORRECTION

PATENT NO. : D989,522 S
APPLICATION NO. : 29/783173
DATED : June 20, 2023
INVENTOR(S) : Steve Symons

Page 1 of 1

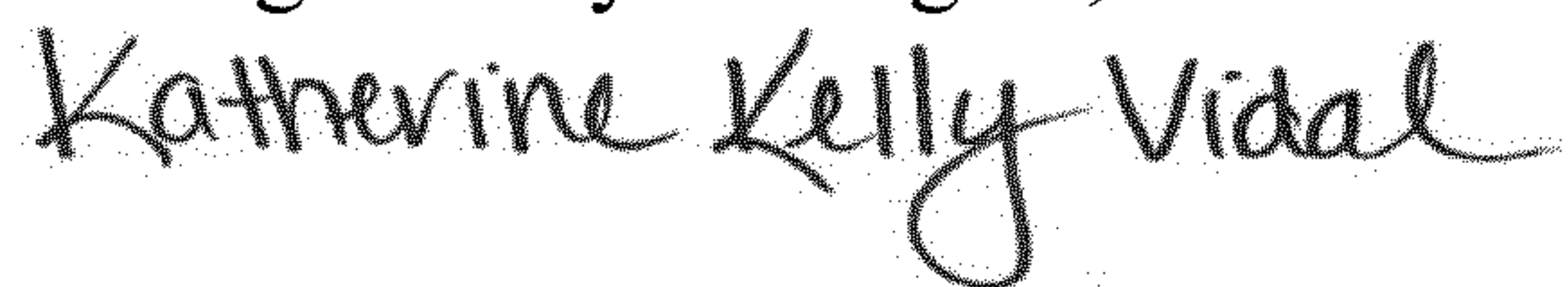
It is certified that error appears in the above-identified patent and that said Letters Patent is hereby corrected as shown below:

On the Title Page

Item (30), Please add Related Foreign Application Data:

European Union Design Application No. 008312482-0001 and Priority Date, December 8, 2020.

Signed and Sealed this
Eighth Day of August, 2023



Katherine Kelly Vidal
Director of the United States Patent and Trademark Office