



US00D989521S

(12) **United States Design Patent**  
**Shan**

(10) **Patent No.:** **US D989,521 S**

(45) **Date of Patent:** **\*\* Jun. 20, 2023**

(54) **EXPANDABLE AND REMOVABLE  
MATTRESS ENCASEMENT**

(71) Applicant: **Sisi Shan**, Ningbo (CN)

(72) Inventor: **Sisi Shan**, Ningbo (CN)

(\*\*) Term: **15 Years**

(21) Appl. No.: **29/776,850**

(22) Filed: **Apr. 1, 2021**

(51) **LOC (14) Cl.** ..... **06-09**

(52) **U.S. Cl.**

USPC ..... **D6/606**

(58) **Field of Classification Search**

USPC ..... D6/333, 349, 355, 375, 388, 512, 563,  
D6/564, 582-583, 587-592, 595-609,  
D6/611, 617-622, 707, 715, 713.1;  
D21/803-809, 804, 805; D24/183-185,  
D24/234; 5/401, 420, 600, 630, 631,  
5/632, 633, 635, 636, 638, 639, 646, 652,  
5/652.1, 655, 703, 730; 297/1, 2, 4, 93,  
297/181.11, 195.1, 195, 11, 195.13, 393,  
297/397, 452.12, 452.14, 452.15, 452.21,  
297/452.24, 452.26, 452.48, 452.62, 482  
CPC ..... A47G 9/10; A47G 9/1009; A47G 9/1027;  
A47G 9/1045; A47G 9/1063; A47G  
9/1072; A47G 9/1081

See application file for complete search history.

(56) **References Cited**

**U.S. PATENT DOCUMENTS**

D799,858 S \* 10/2017 Pearce ..... D6/605

D862,935 S \* 10/2019 Pfister ..... D6/605

(Continued)

**OTHER PUBLICATIONS**

Mattress protector, posted Nov. 13, 2021 [online], [retrieved Sep. 12, 2022]. Retrieved from internet, <https://www.amazon.com/>

Protector-Adjustable-Waterproof-Depth-Zippered-Encasement/dp/B09LQB5VSH/?th=1 (Year: 2021).\*

*Primary Examiner* — Cynthia Ramirez

*Assistant Examiner* — Carrie A Matteoli

(74) *Attorney, Agent, or Firm* — Che-Yang Chen; Law Office of Michael Chen

(57) **CLAIM**

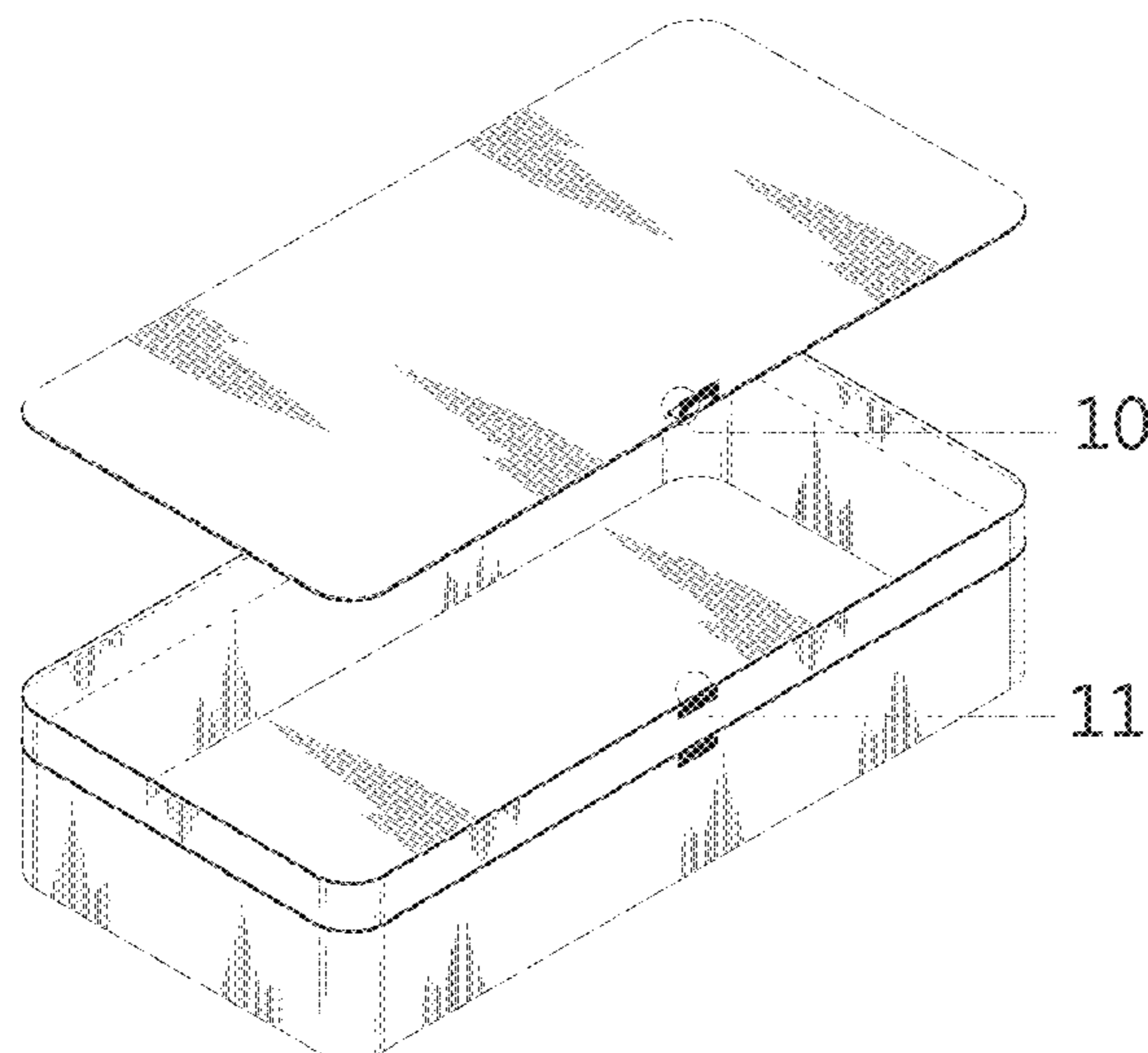
The ornamental design for an expandable and removable mattress encasement, as shown and described.

**DESCRIPTION**

FIG. 1 is a perspective view of an expandable and removable mattress encasement, showing my new design; FIG. 2 is an exploded perspective view thereof; FIG. 3 is a front elevation view thereof; FIG. 4 is a rear elevation view thereof; FIG. 5 is a left side elevation view thereof; FIG. 6 is a right side elevation view thereof; FIG. 7 is a top plan view thereof; FIG. 8 is a bottom plan view thereof; FIG. 9 is another perspective view thereof, showing the expandable and removable mattress encasement being retracted; FIG. 10 is a partially enlarged view of the area labeled 10 in FIG. 2, showing design of a buckle in the expandable and removable mattress encasement; FIG. 11 is another partially enlarged view of the area labeled 11 in FIG. 2, showing a zipper design in the expandable and removable mattress encasement; FIG. 12 is another partially enlarged view of the area labeled 12 in FIG. 1; and, FIG. 13 is another partially enlarged view of the area labeled 13 in FIG. 1.

The zipper pull shown in broken lines in the figures represents environment and forms no part of the claimed design. The long broken lines in the figures show stitching, and form no part of the claimed design. The dash-dot broken lines are to show enlarged areas and form no part of the claimed design.

**1 Claim, 13 Drawing Sheets**



(56)

**References Cited**

U.S. PATENT DOCUMENTS

D864,616	S	*	10/2019	Pfister	.....	D6/605
D864,617	S	*	10/2019	Pfister	.....	D6/605
D865,400	S	*	11/2019	Williams	.....	D6/605
D866,222	S	*	11/2019	Williams	.....	D6/605
D897,742	S	*	10/2020	Williams	.....	D6/606
D898,470	S	*	10/2020	Williams	.....	D6/606
D961,298	S	*	8/2022	Lyu	.....	D6/605
2012/0137434	A1	*	6/2012	Dusaj	.....	A47G 9/0246
						5/499
2017/0119171	A1	*	5/2017	Levinsohn	.....	A47C 31/007
2022/0095805	A1	*	3/2022	Waggoner	.....	A47C 27/002

\* cited by examiner

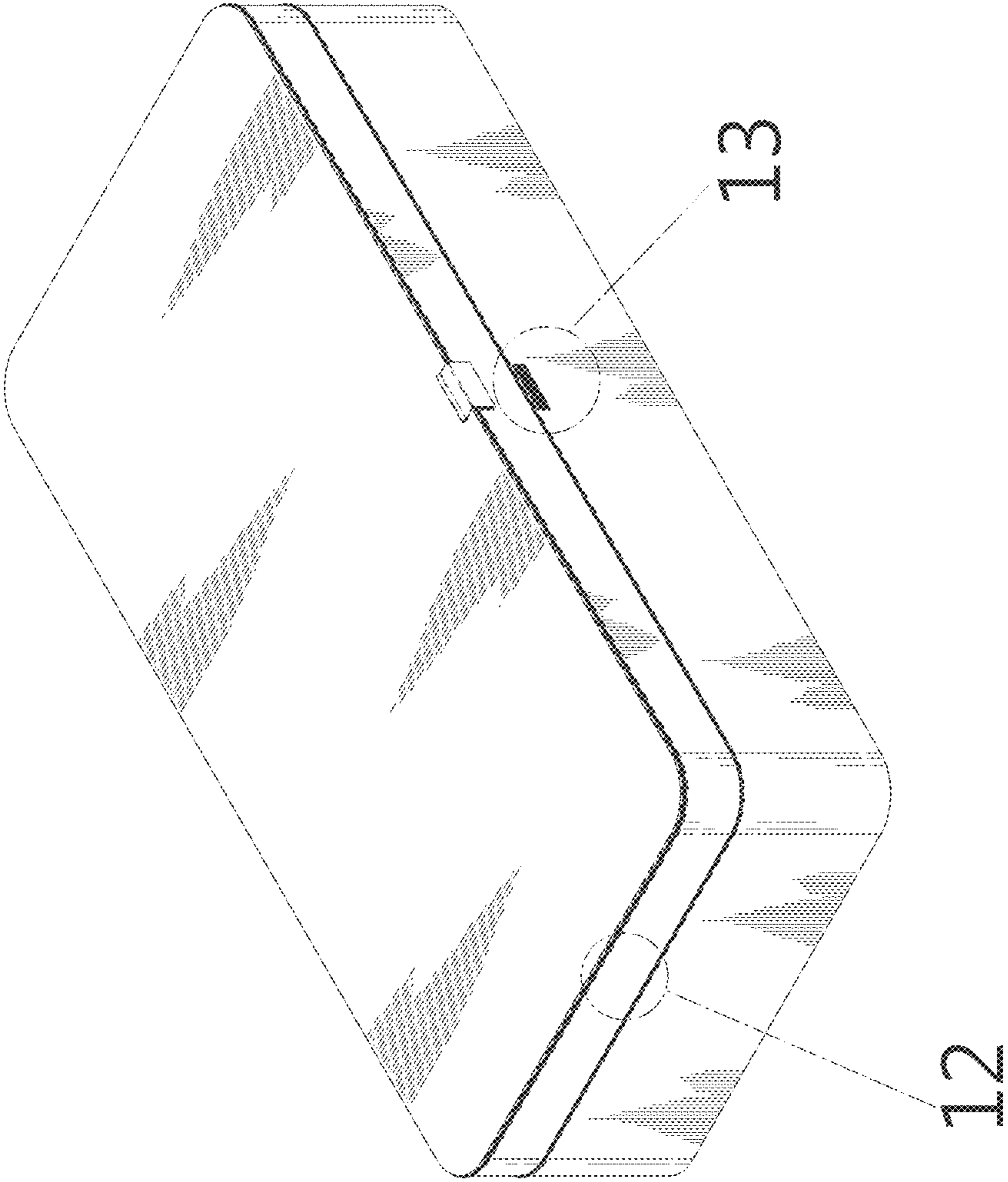


FIG. 1

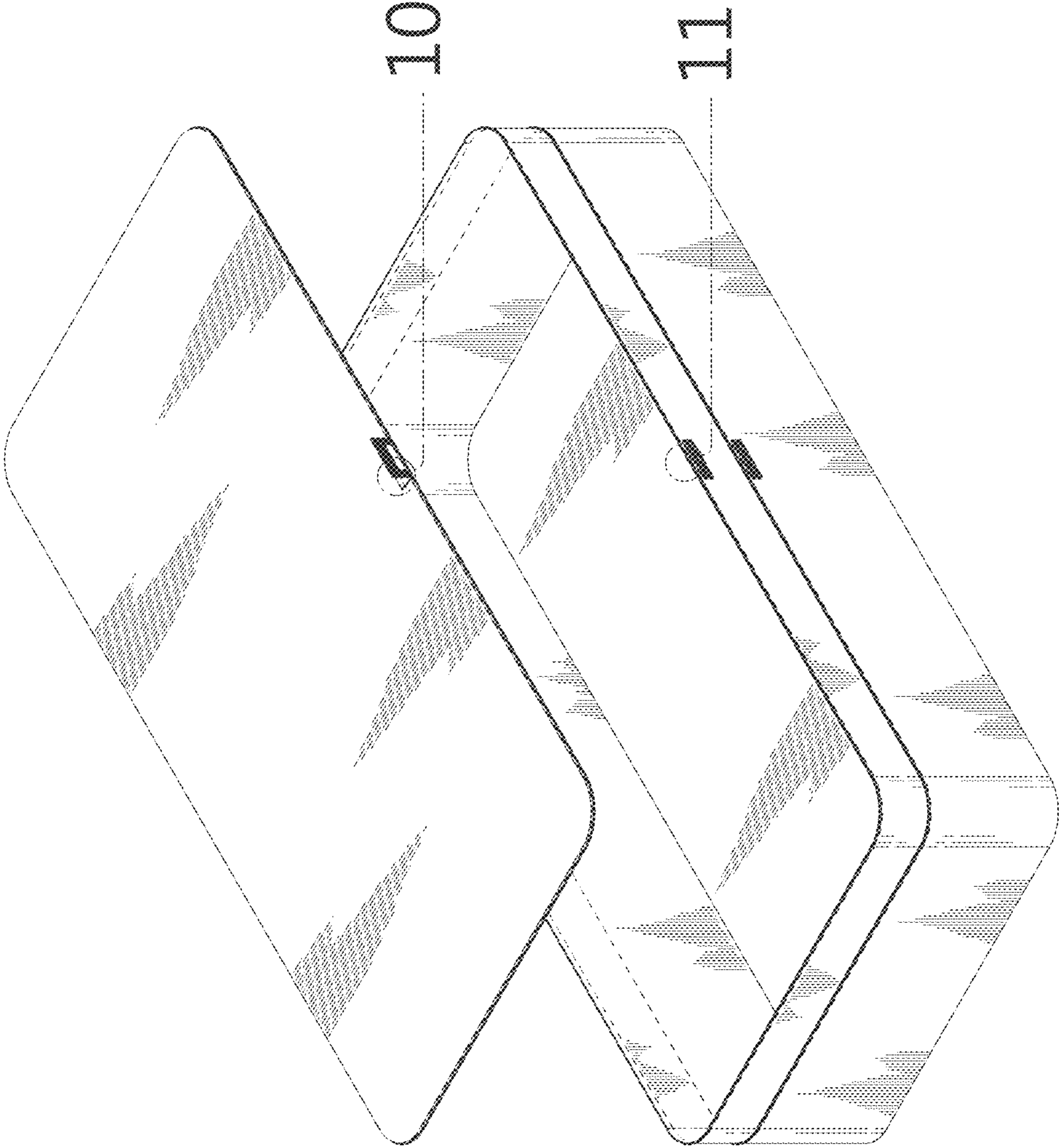


FIG. 2

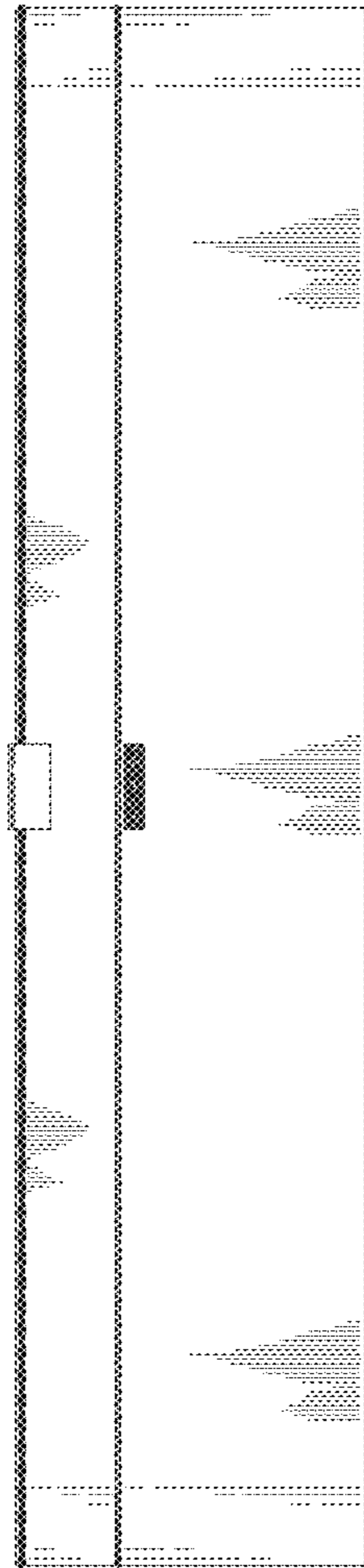


FIG. 3

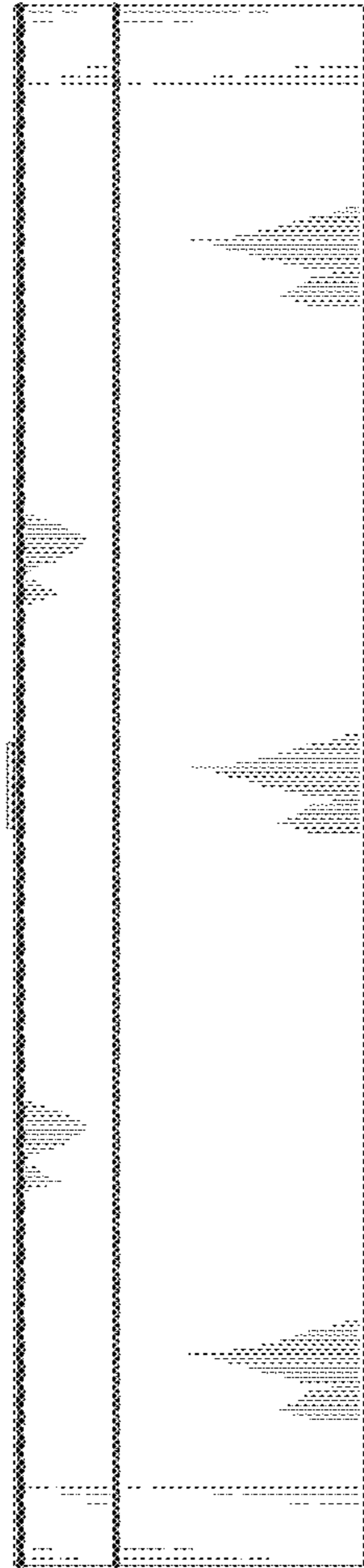


FIG. 4

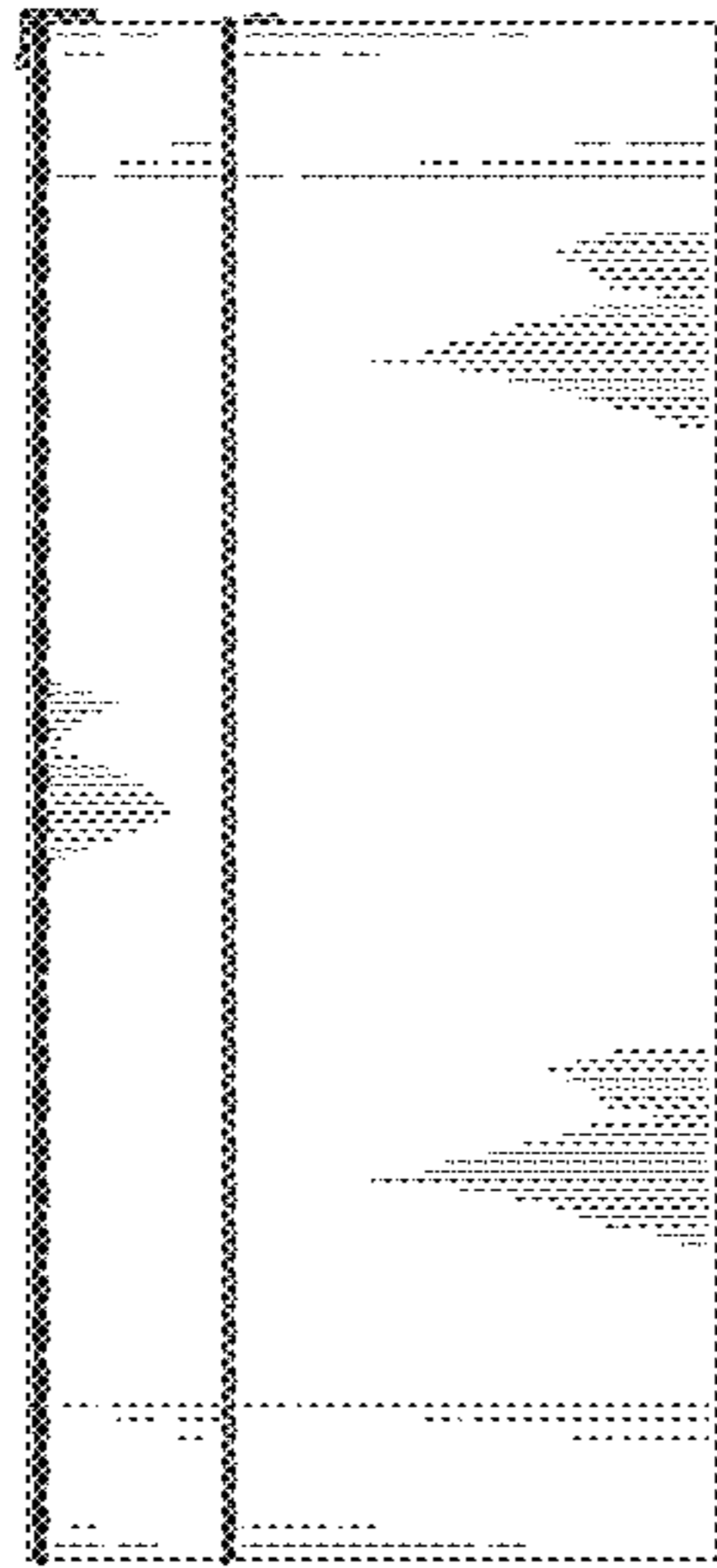


FIG. 5

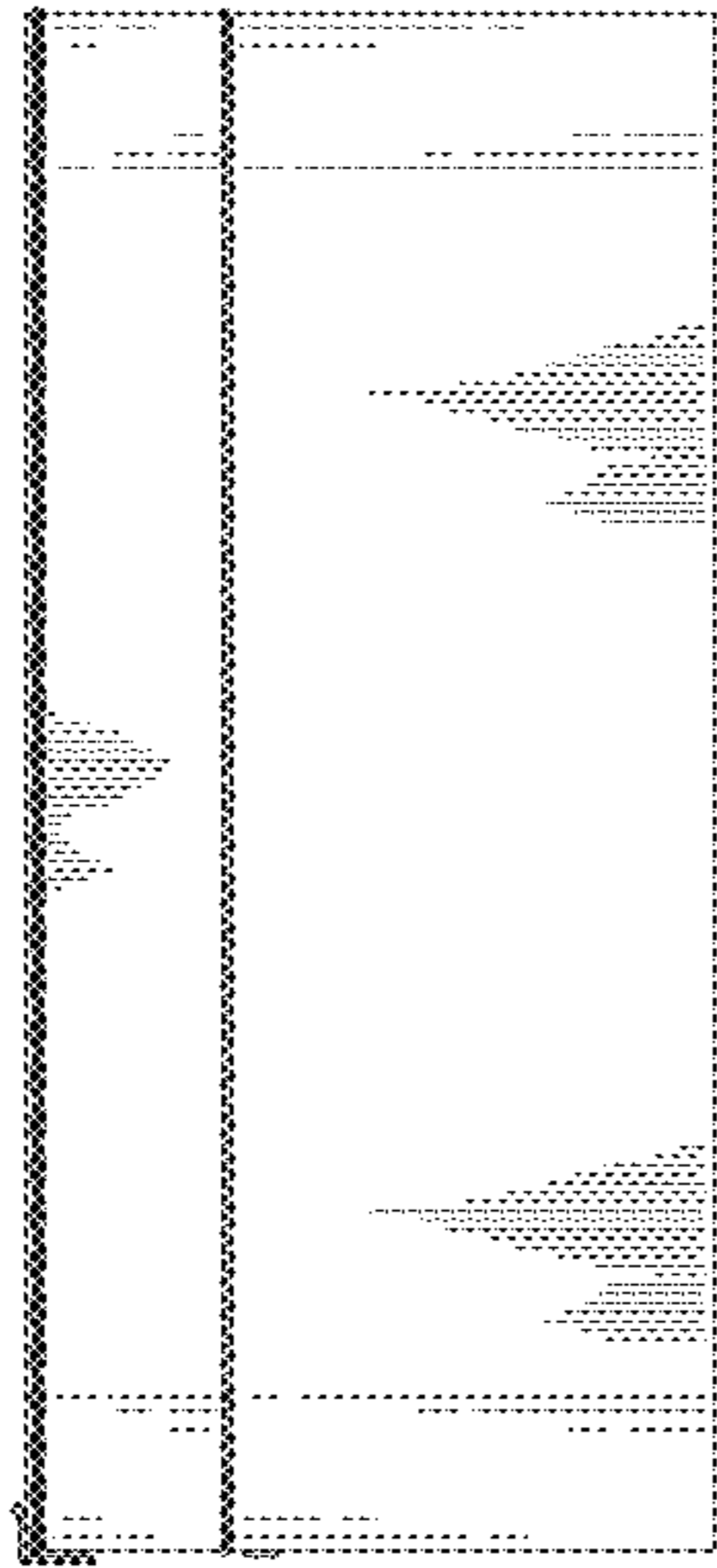


FIG. 6



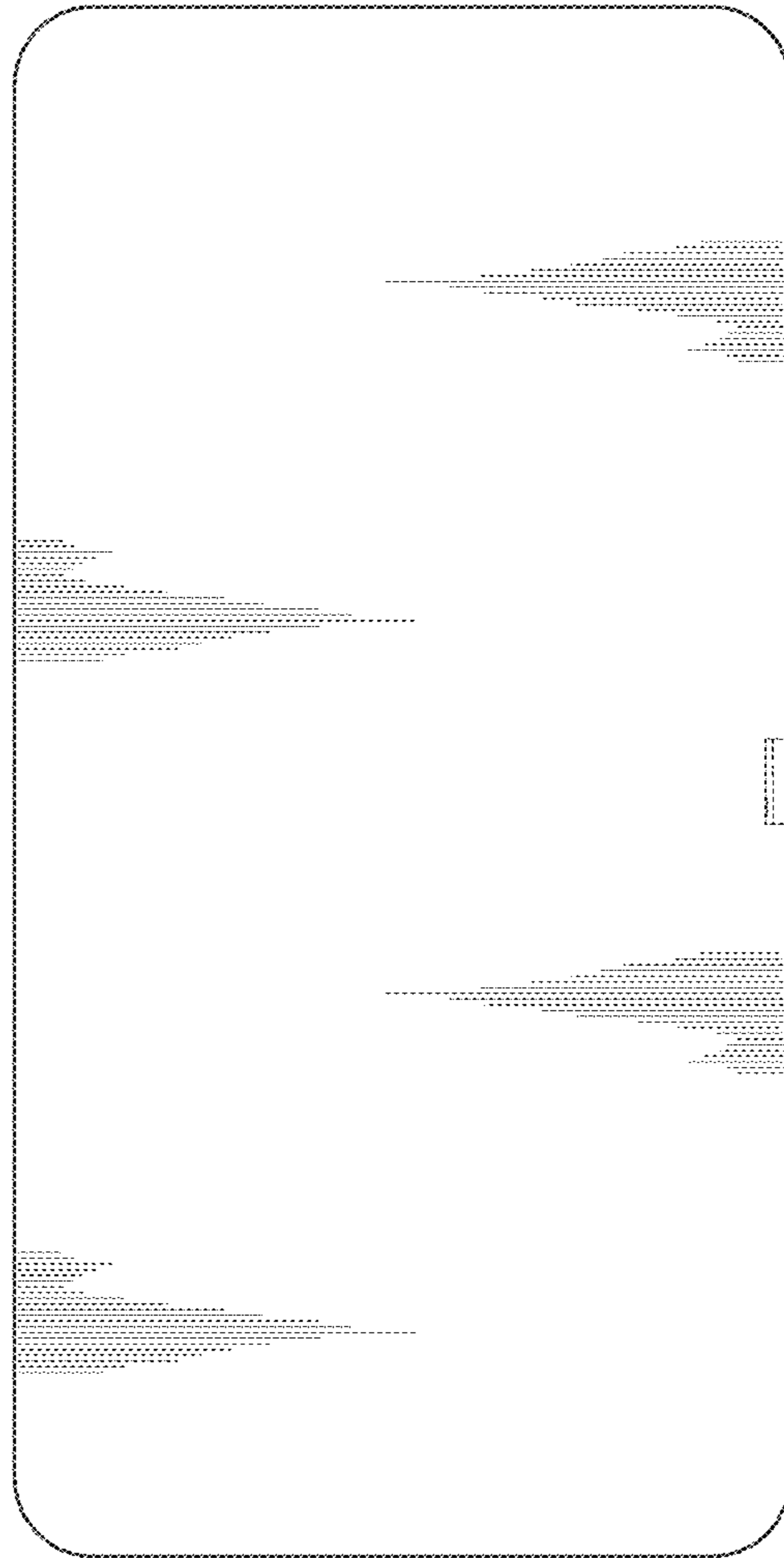


FIG. 7

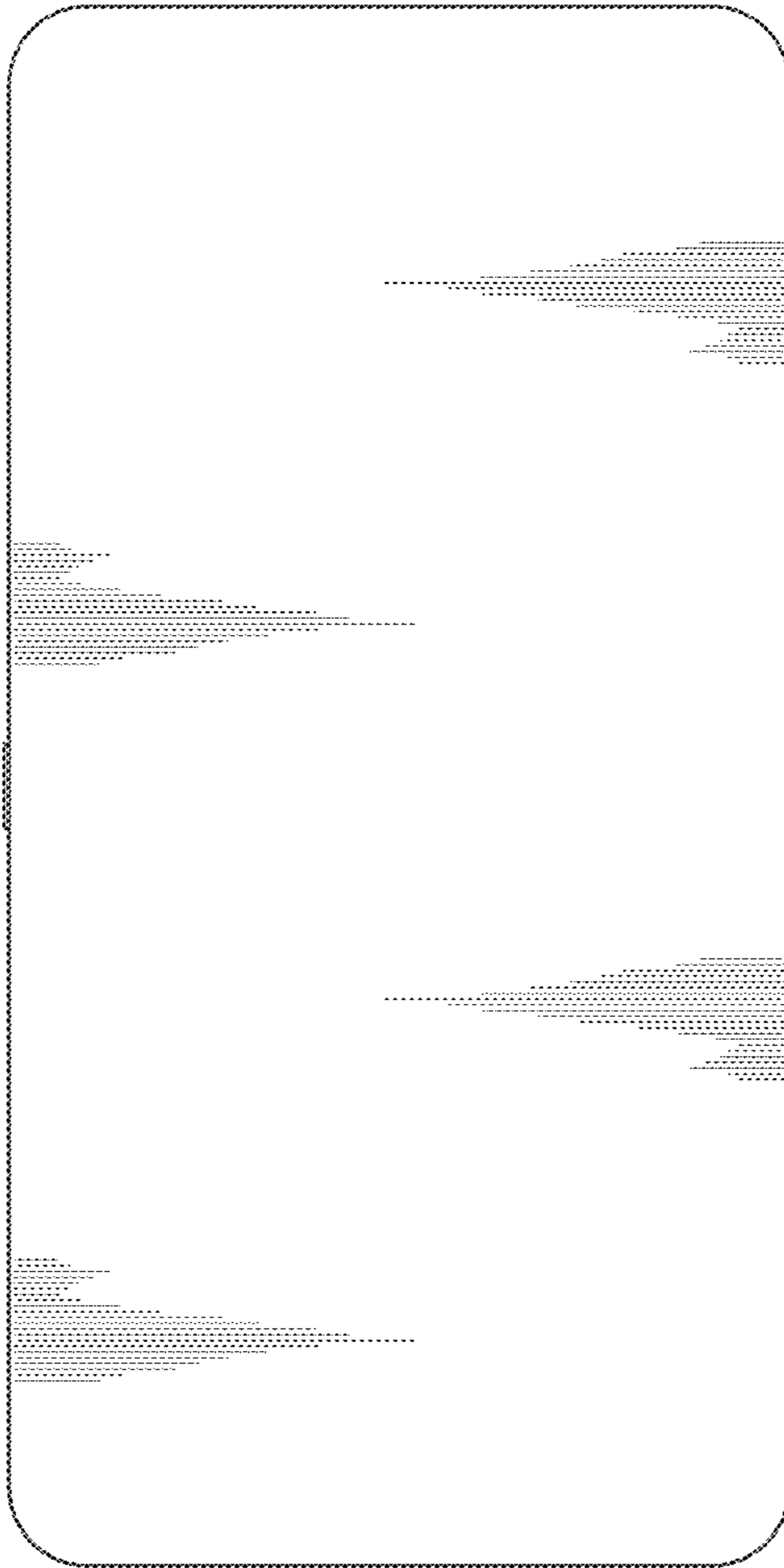


FIG. 8

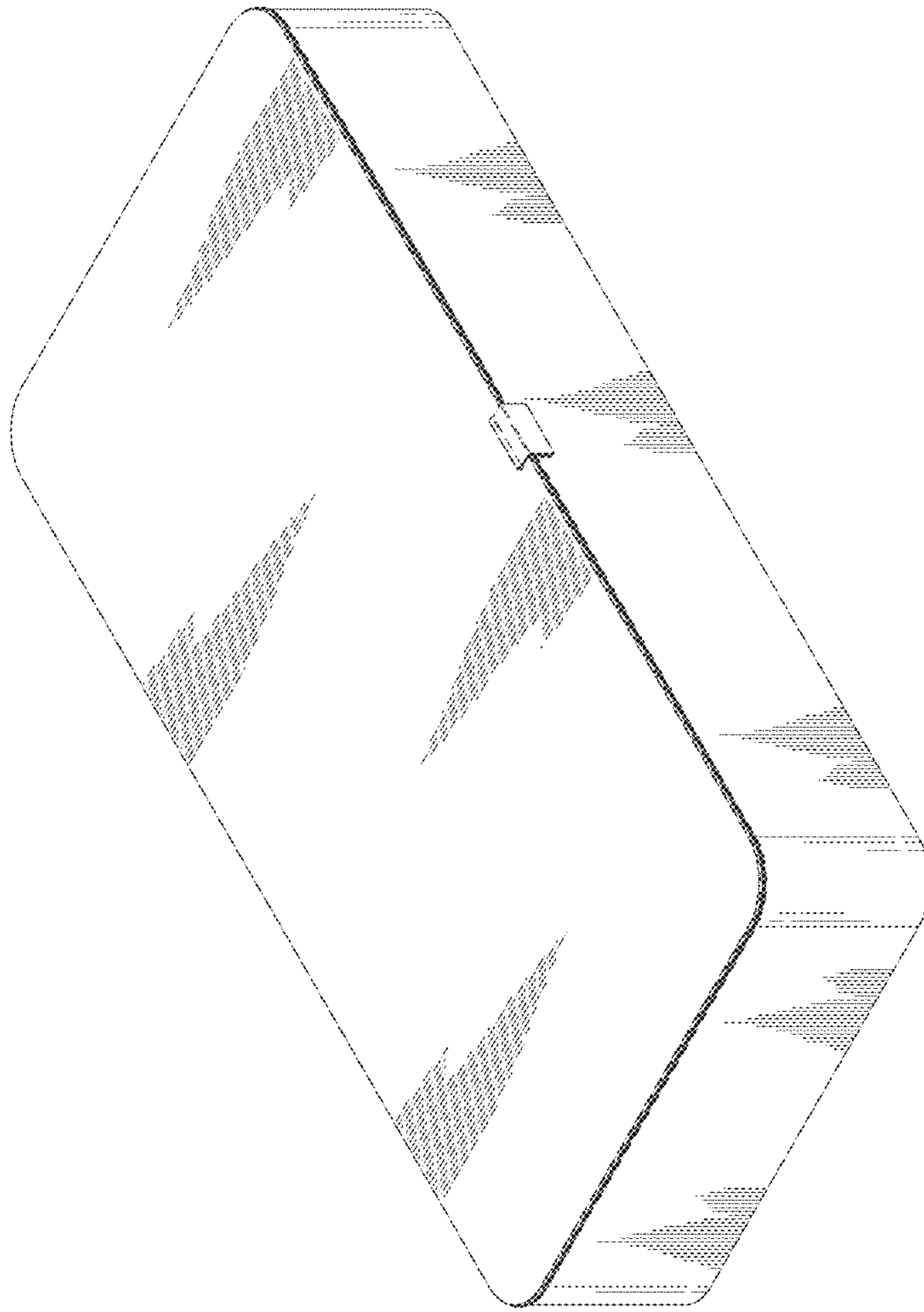


FIG. 9

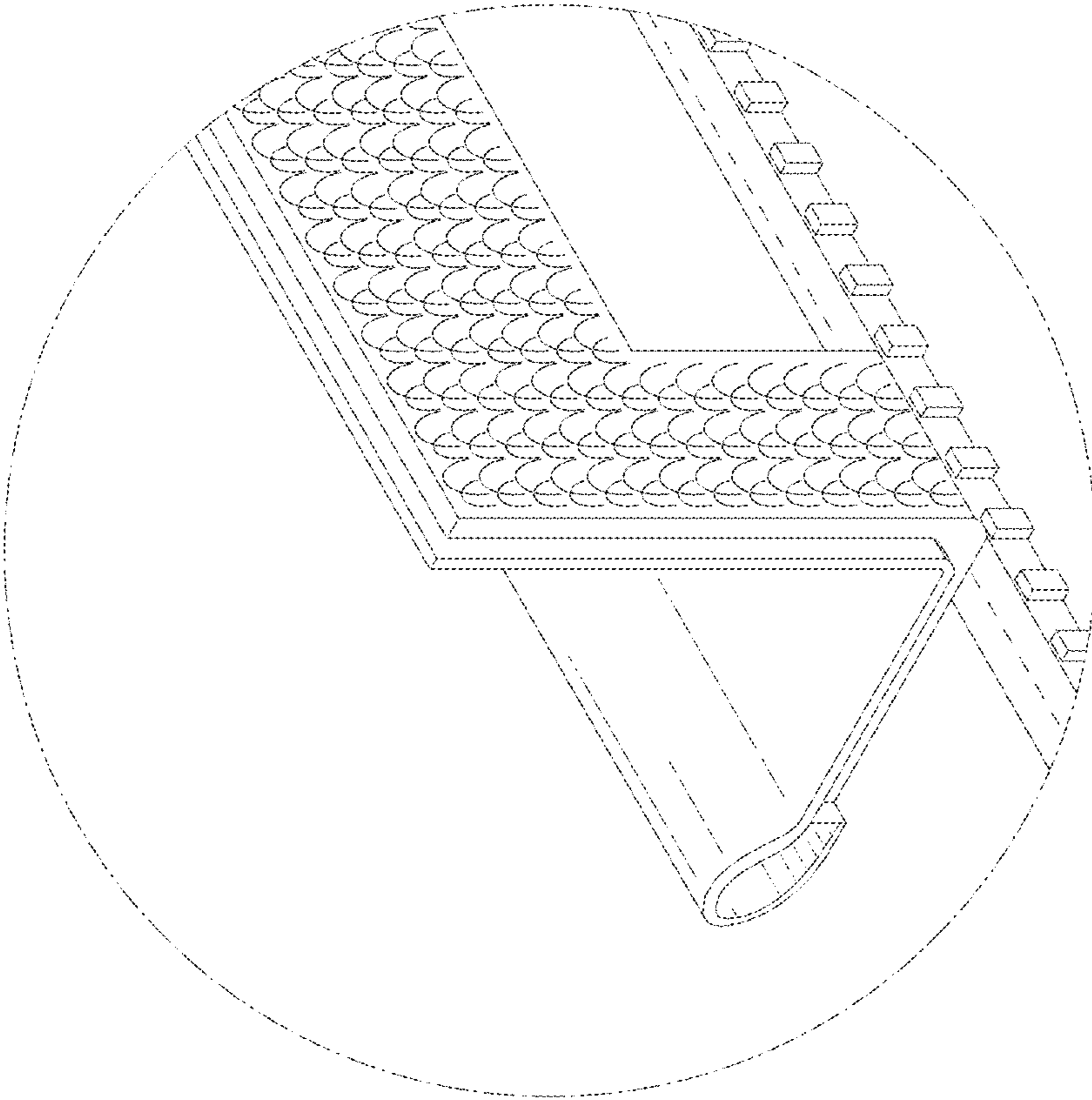


FIG. 10

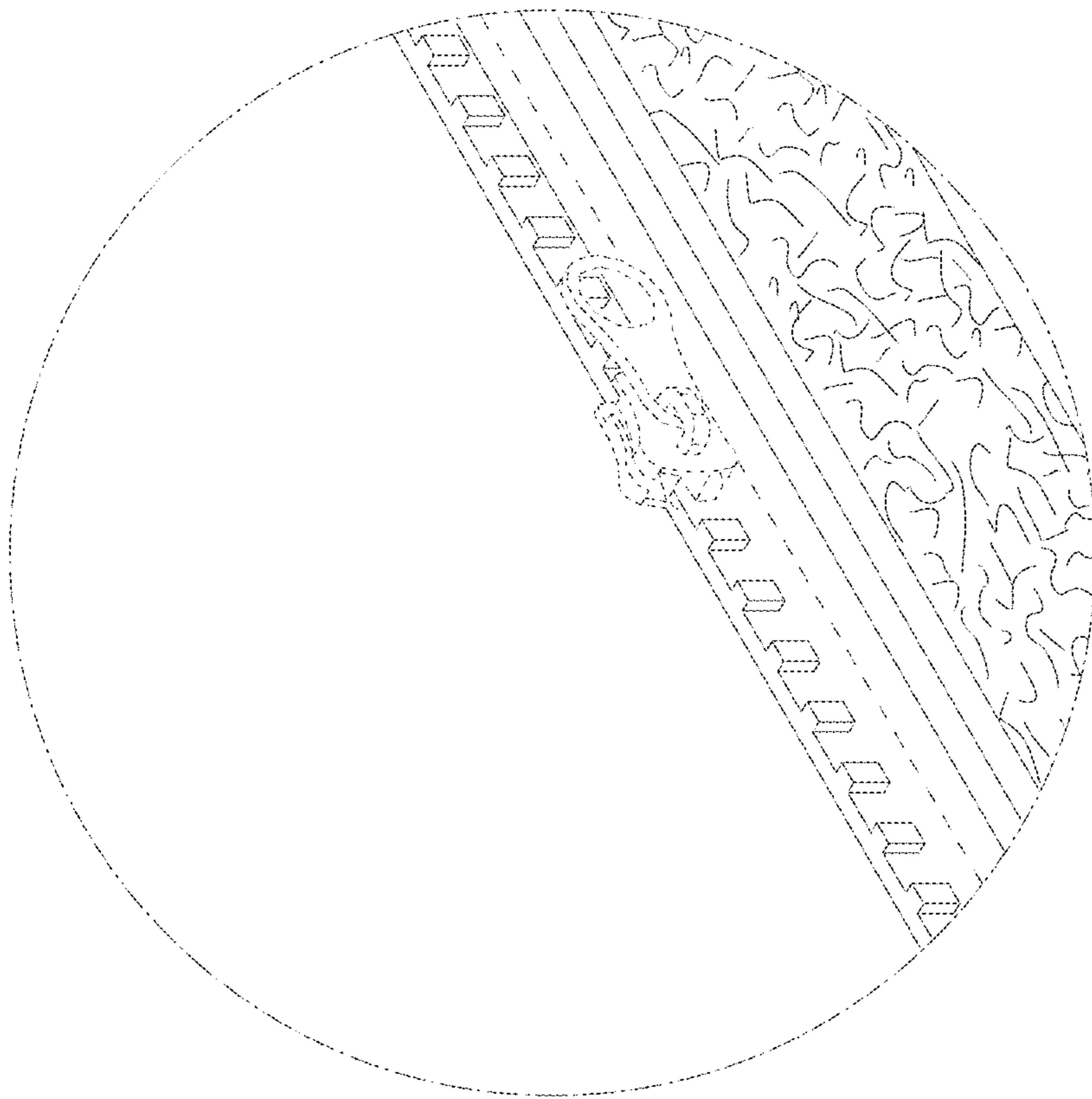


FIG. 11

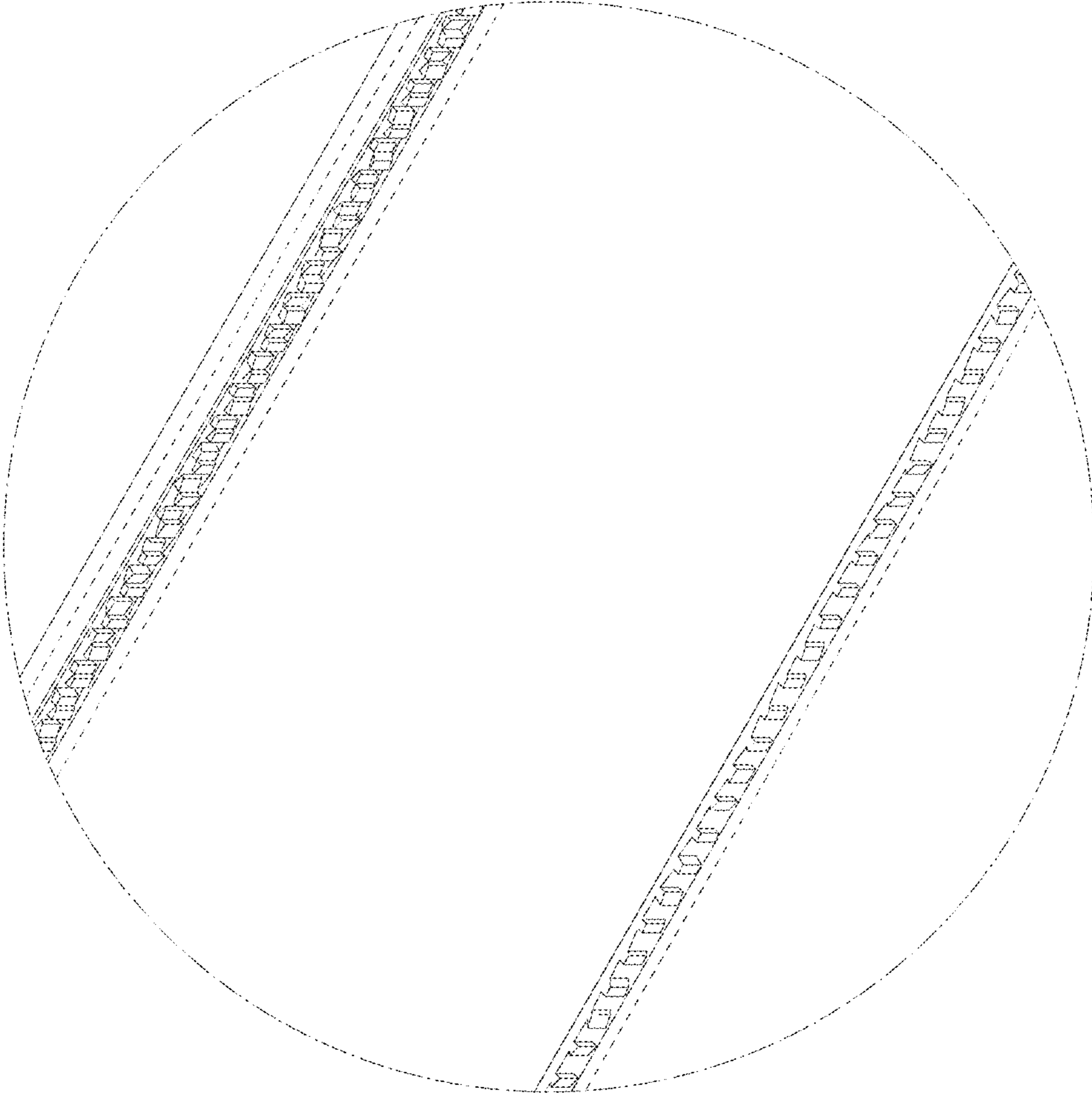


FIG. 12

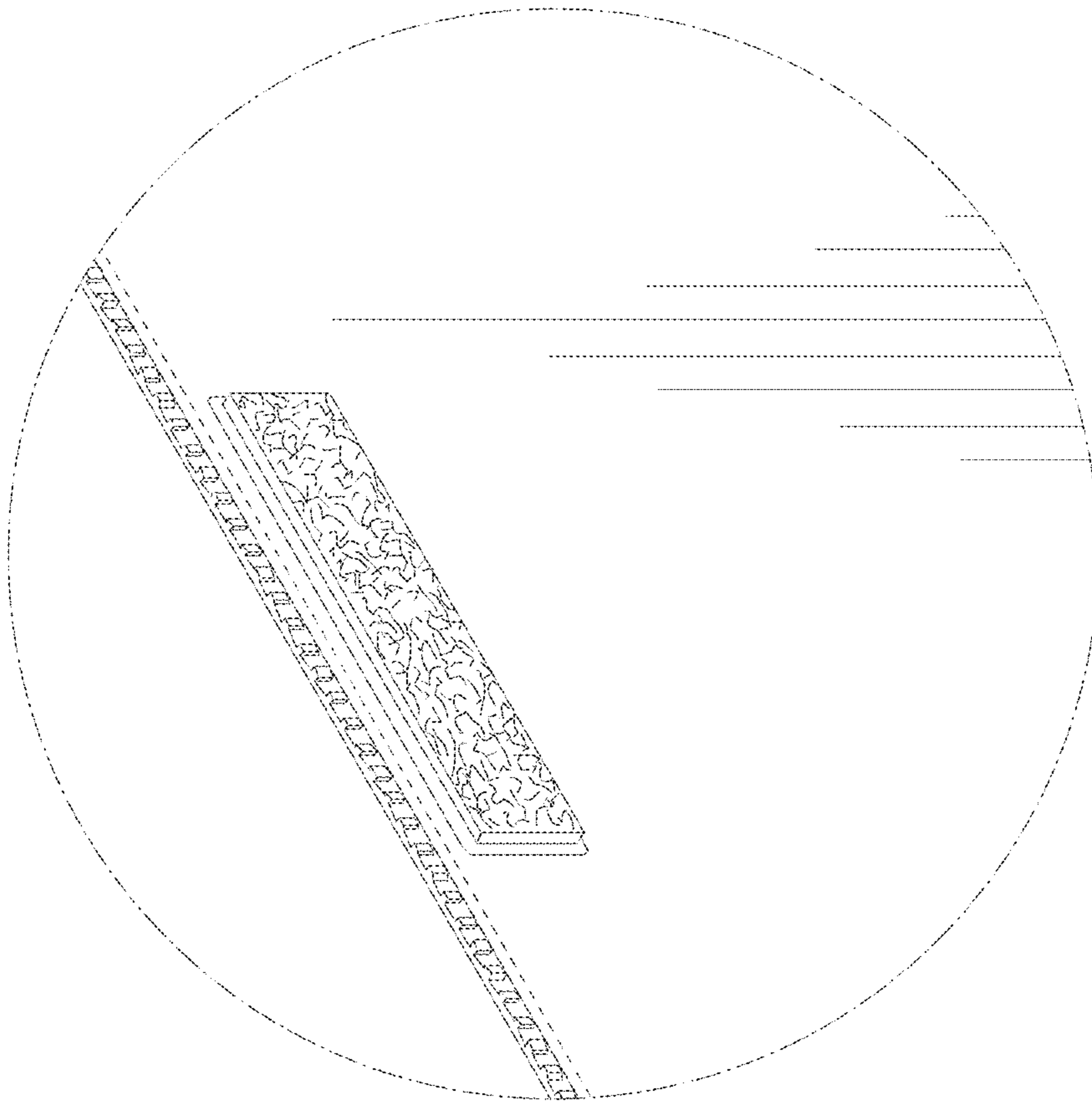


FIG. 13