



US00D989520S

(12) **United States Design Patent**
Trevisan et al.

(10) **Patent No.:** **US D989,520 S**

(45) **Date of Patent:** **** Jun. 20, 2023**

(54) **NECK PILLOW**

(71) Applicant: **Lexington International, LLC**, Boca Raton, FL (US)

(72) Inventors: **Paolo Trevisan**, Key Biscayne, FL (US); **Francisco Barboza Grasa**, Miami, FL (US); **David Michaels**, Boca Raton, FL (US); **James P. Smeriglio, Jr.**, Jupiter, FL (US)

(73) Assignee: **Lexington International, LLC**, Boca Raton, FL (US)

(**) Term: **15 Years**

(21) Appl. No.: **29/780,364**

(22) Filed: **Apr. 23, 2021**

(51) **LOC (14) Cl.** **06-04**

(52) **U.S. Cl.**
USPC **D6/601**

(58) **Field of Classification Search**
USPC D6/595-601, 604, 606; D24/183, 190;
D21/803, 809
CPC A47A 20/00; A47A 20/021; A47D 15/001;
A47D 15/008; A47G 9/00; A47G 9/10;
A47C 7/742; A47C 7/021; A47C 27/00;
B62J 1/26

See application file for complete search history.

(56) **References Cited**

U.S. PATENT DOCUMENTS

D590,198 S * 4/2009 Nostrant D6/601
D762,400 S * 8/2016 Wong A47C 7/383
D6/601

D899,138 S * 10/2020 Alletto, Jr. D6/601
D899,819 S * 10/2020 Sutton D6/601
D913,726 S * 3/2021 Jiao D6/601
2014/0310877 A1* 10/2014 Sternlight A47G 9/02
5/639
2018/0146807 A1* 5/2018 Silver A47G 9/1045
2021/0353083 A1* 11/2021 Ali A47G 9/1045

* cited by examiner

Primary Examiner — Cynthia Ramirez

Assistant Examiner — Carrie A Matteoli

(74) *Attorney, Agent, or Firm* — Christopher & Weisberg, P.A.

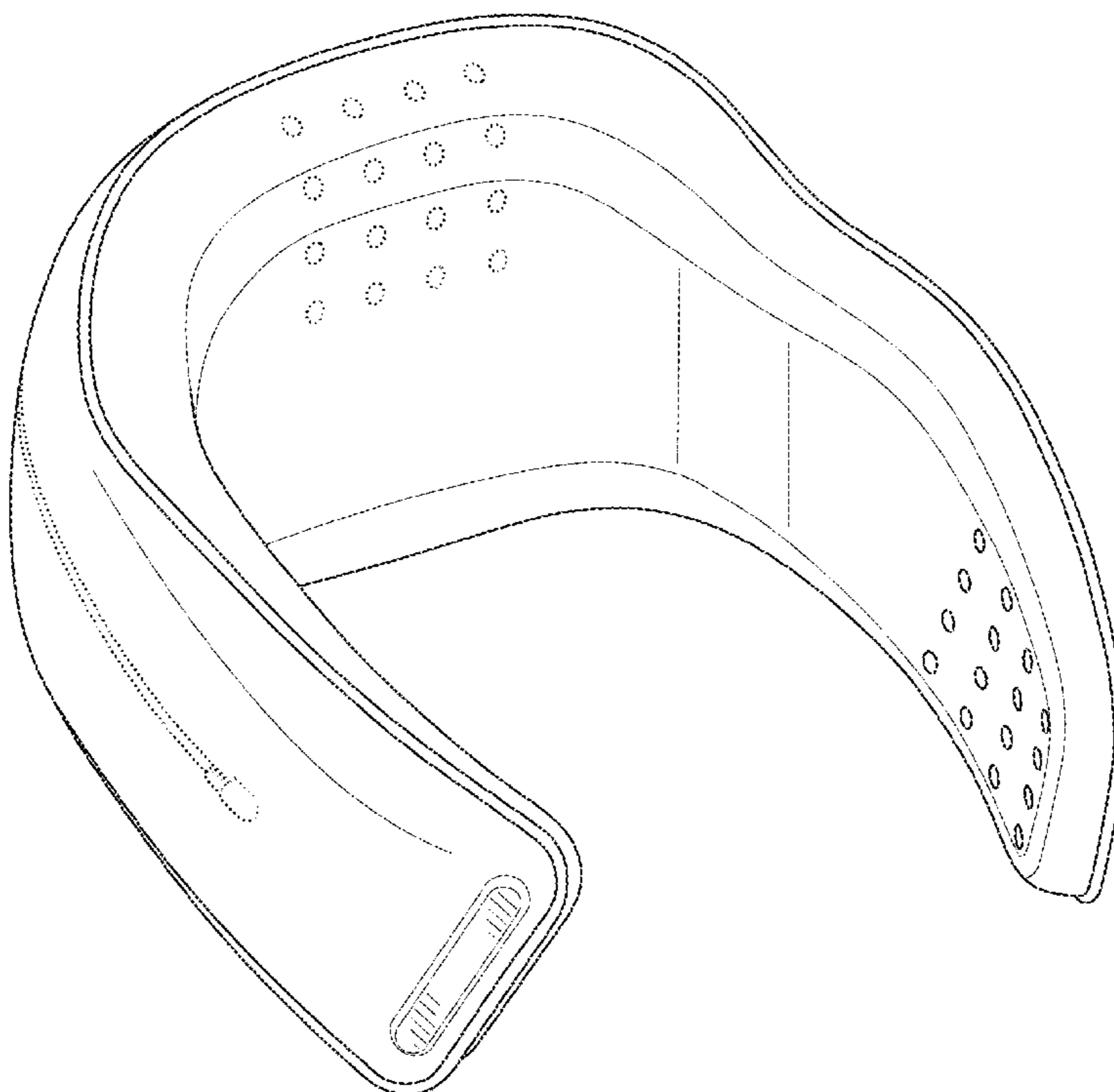
(57) **CLAIM**

The ornamental design for a neck pillow, as shown and described.

DESCRIPTION

FIG. 1 is a front perspective view of a neck pillow;
FIG. 2 is a front perspective view thereof;
FIG. 3 is a back view thereof;
FIG. 4 is a top view thereof;
FIG. 5 is a bottom side view thereof;
FIG. 6 is a left side view thereof; and,
FIG. 7 is a right side view thereof.
The dotted lines in FIGS. 1-7 represent portions of the design that form no part of the claimed design.

1 Claim, 7 Drawing Sheets



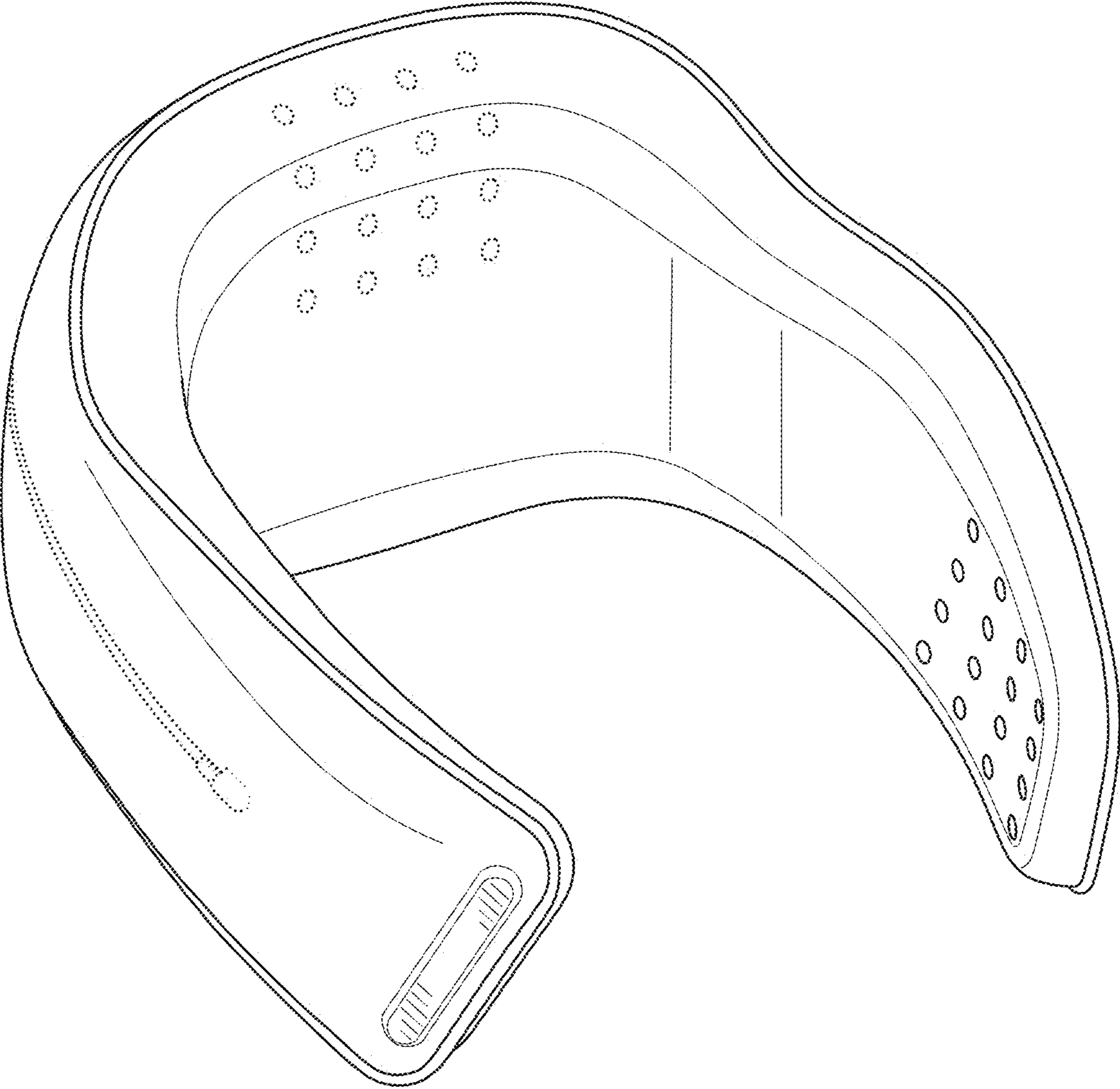


FIG. 1

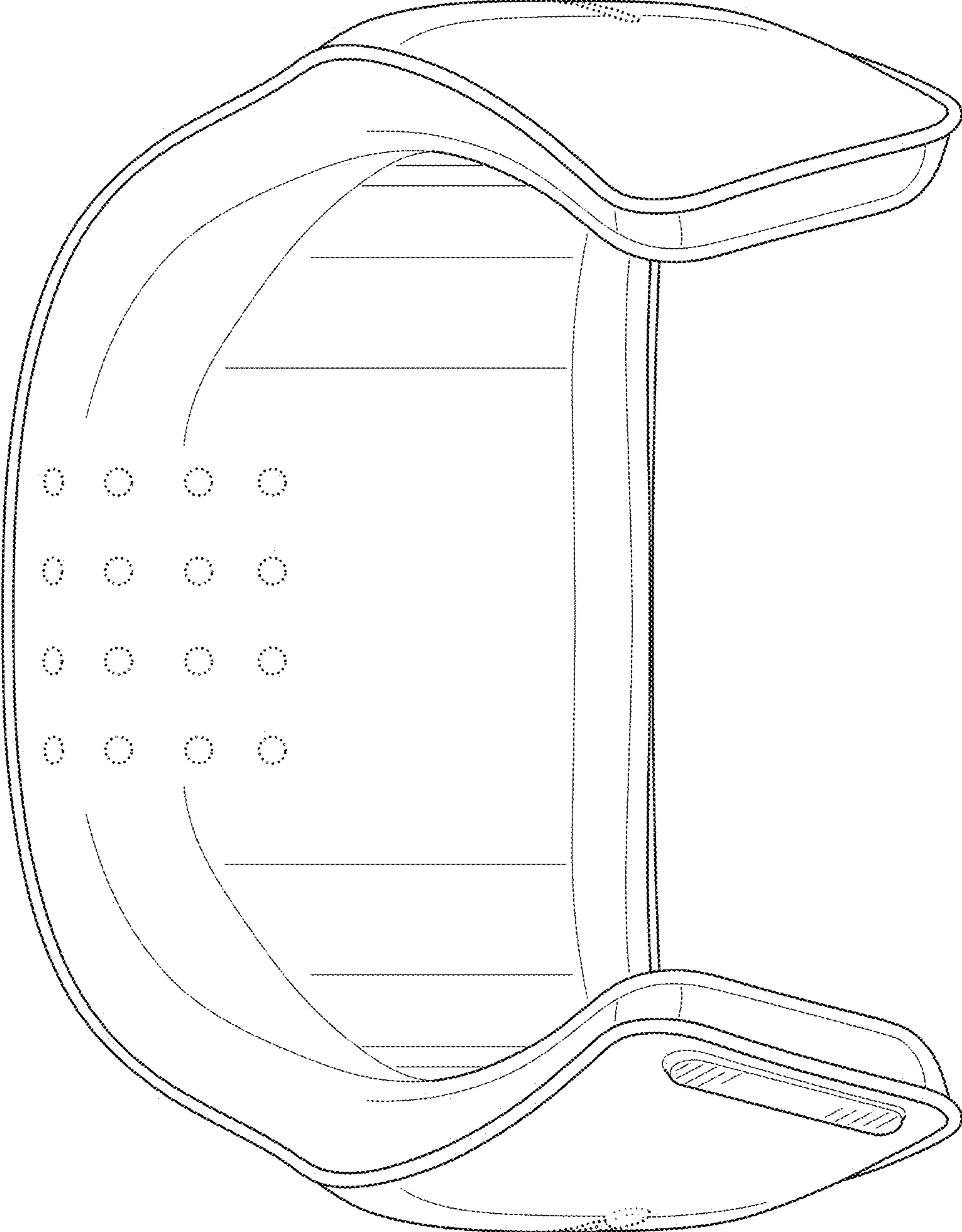


FIG. 2

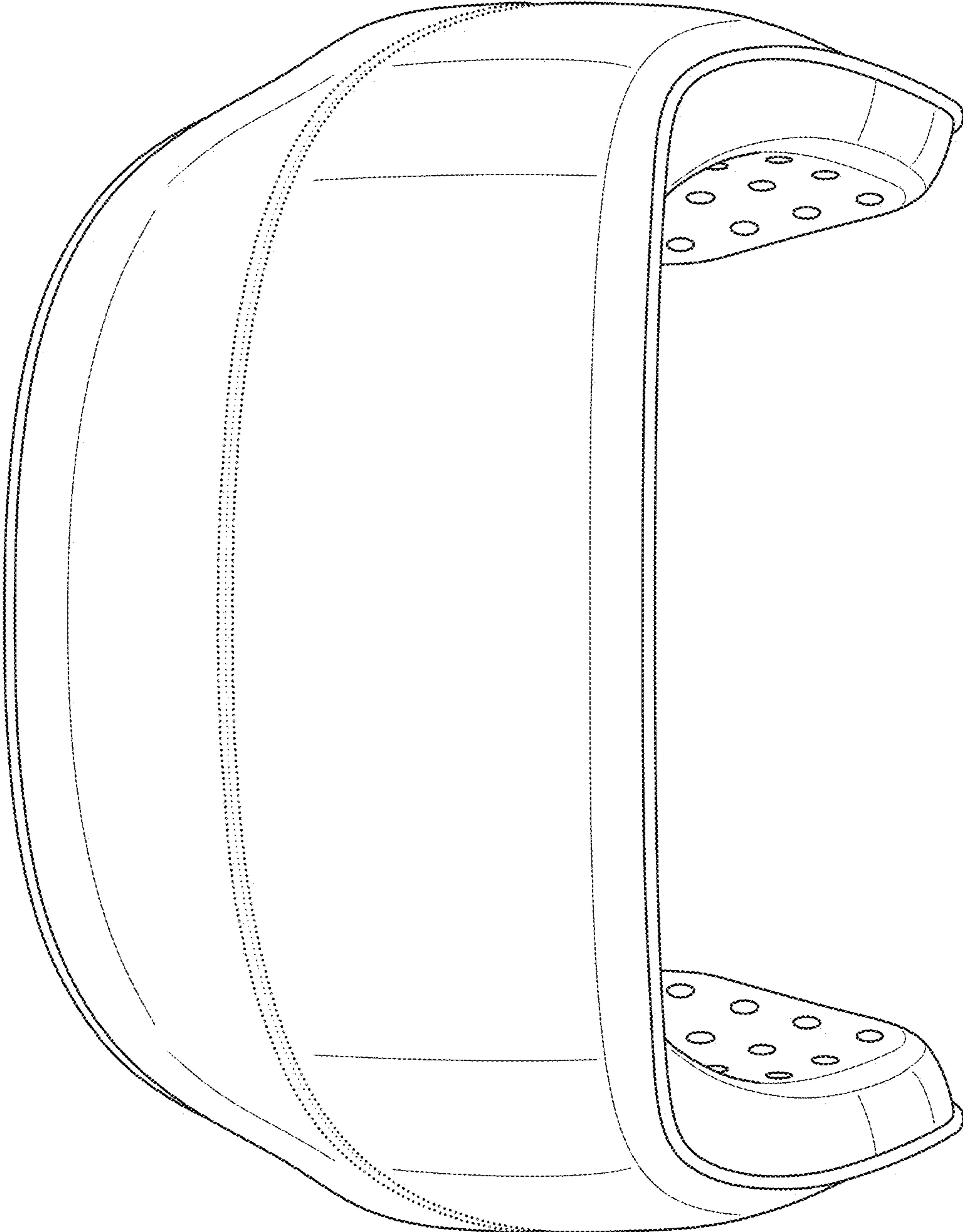


FIG. 3

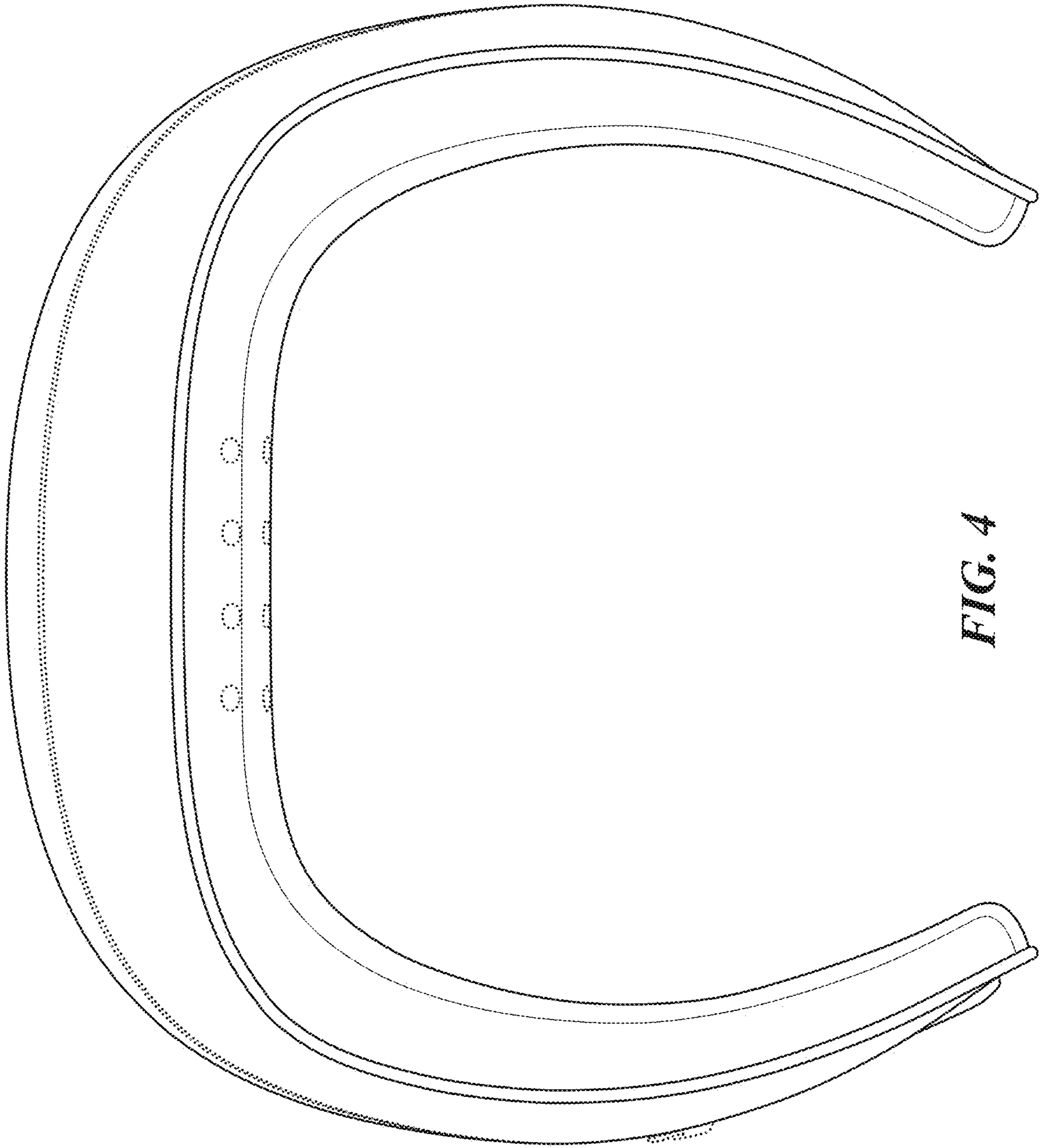


FIG. 4

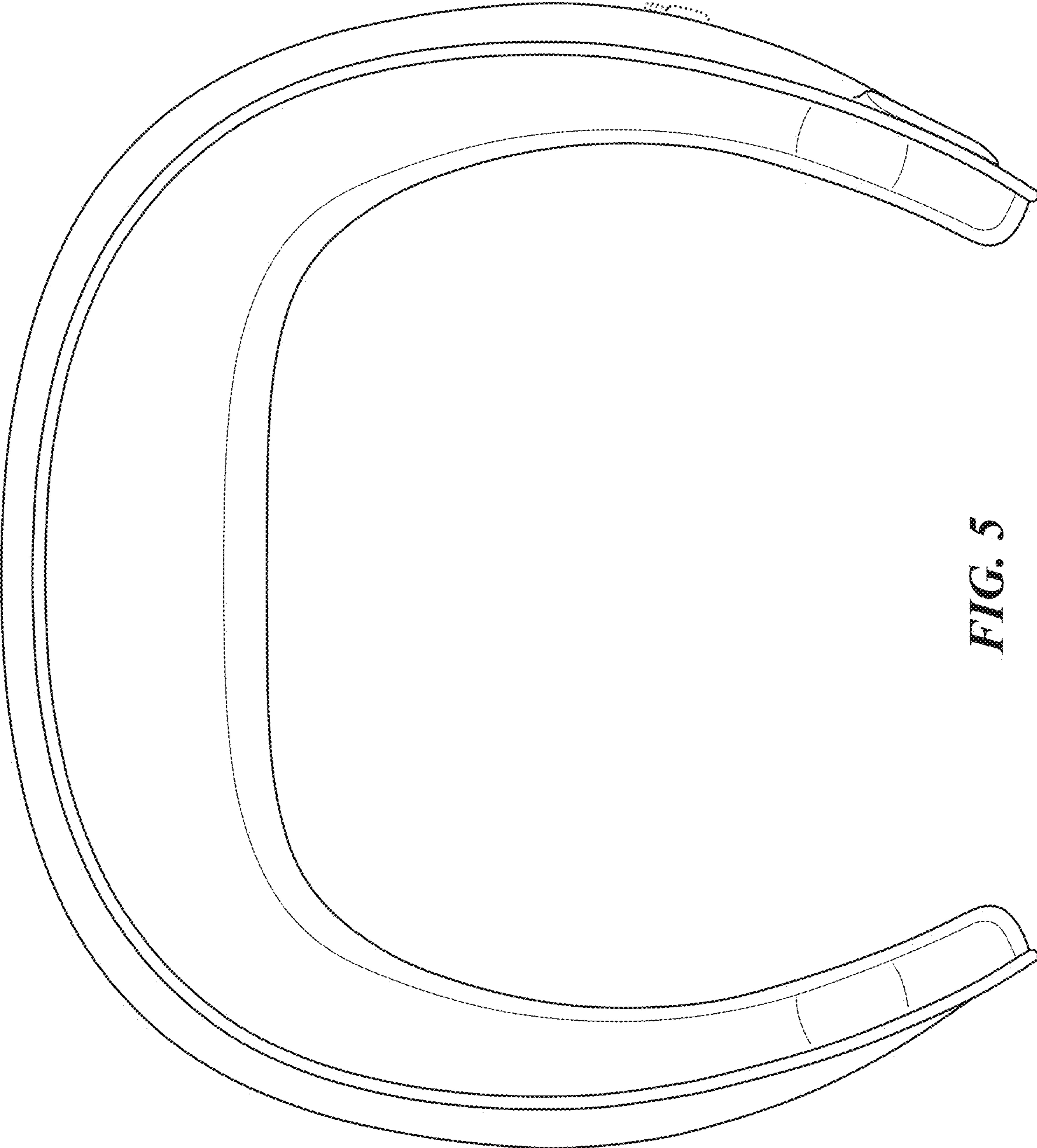


FIG. 5

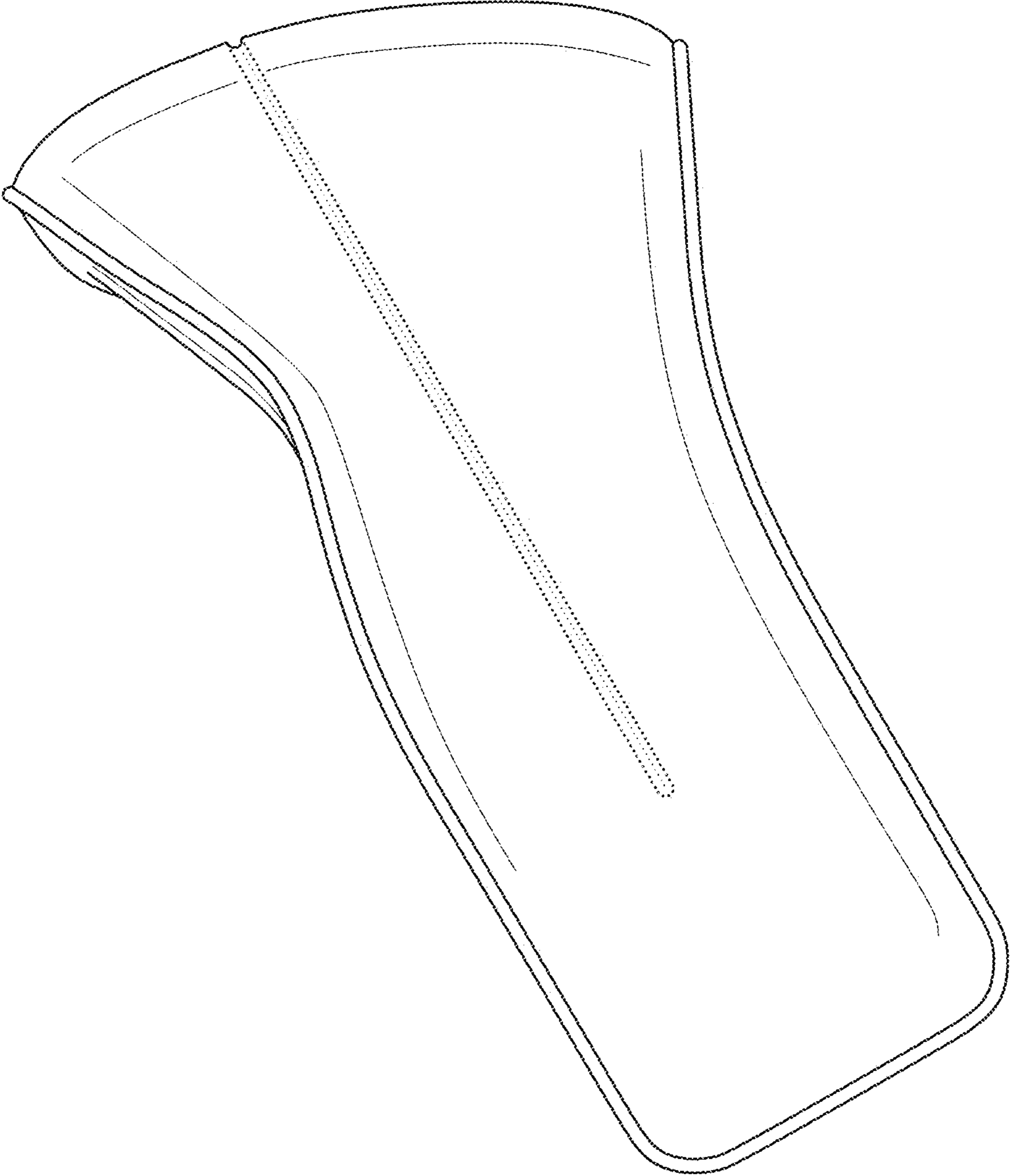


FIG. 6

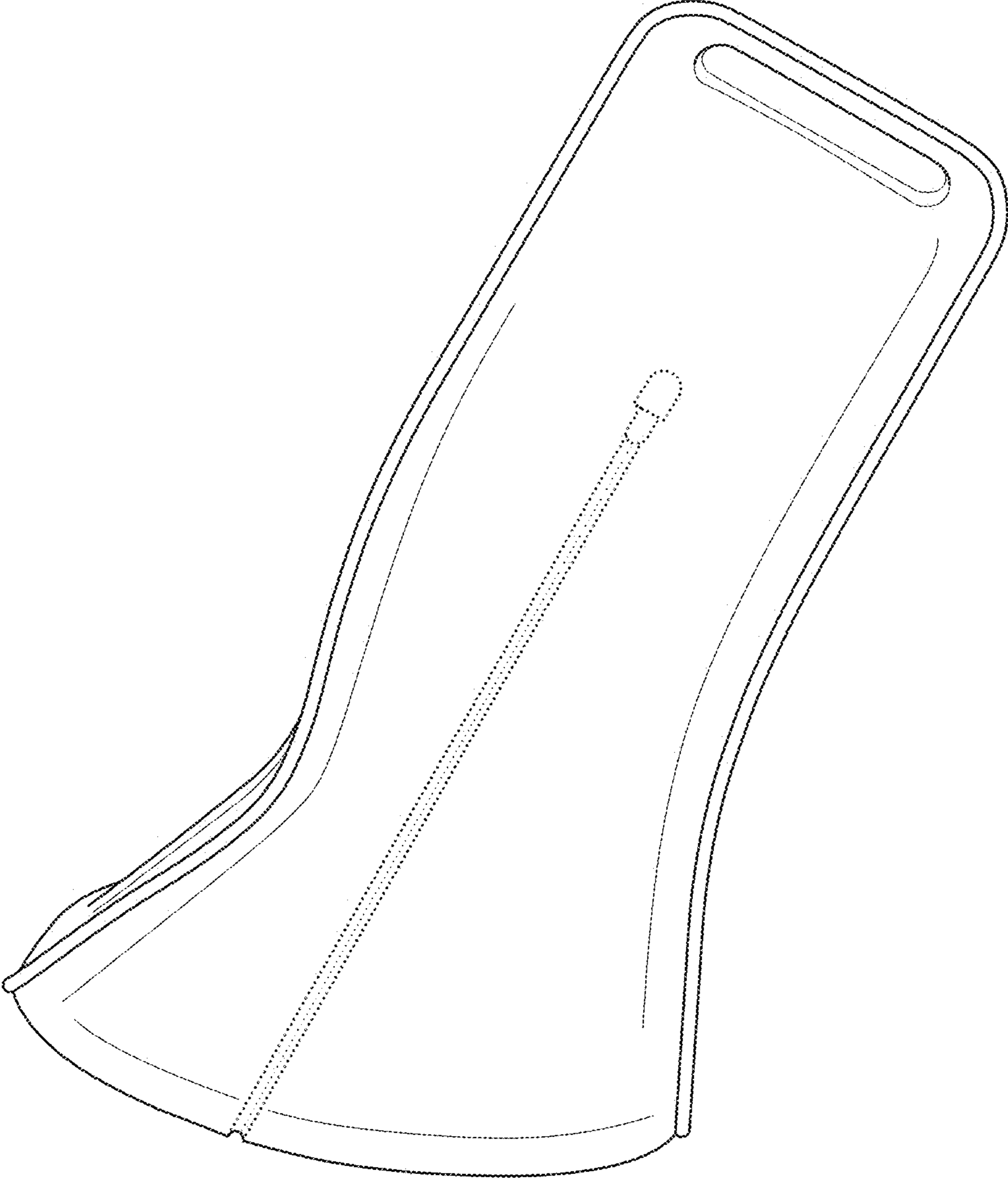


FIG. 7