



US00D989518S

(12) **United States Design Patent** (10) **Patent No.:** **US D989,518 S**
Martin (45) **Date of Patent:** **** Jun. 20, 2023**

(54) **PILLOW**
(71) Applicant: **Layne Martin**, NY, NY (US)
(72) Inventor: **Layne Martin**, NY, NY (US)
(**) Term: **15 Years**
(21) Appl. No.: **29/770,456**
(22) Filed: **Feb. 12, 2021**
(51) **LOC (14) Cl.** **06-04**
(52) **U.S. Cl.**
USPC **D6/601**
(58) **Field of Classification Search**
USPC D6/595-601, 604, 606; D24/183, 190;
D21/803, 809
CPC A47A 20/00; A47A 20/021; A47D 15/001;
A47D 15/008; A47G 9/00; A47G 9/10;
A47C 7/742; A47C 7/021; A47C 27/00;
B62J 1/26
See application file for complete search history.

D844,346 S * 4/2019 Chen D6/601
D859,885 S * 9/2019 Gao D6/601
D861,375 S 10/2019 Gao
D863,826 S * 10/2019 Gao D6/601
D864,611 S * 10/2019 Gao D6/601
D942,180 S * 2/2022 Picone D6/601
D944,564 S * 3/2022 Qiu D6/601
2006/0174413 A1 * 8/2006 Kakehashi A47G 9/10
5/636
2007/0209115 A1 * 9/2007 Carroll A47C 20/027
5/636
2007/0283495 A1 * 12/2007 Ghani A47G 9/10
5/636
2009/0038078 A1 2/2009 House
(Continued)

FOREIGN PATENT DOCUMENTS

AU 2019101162 A4 10/2019
CN 201379344 Y 1/2010
CN 205083150 U 3/2016
(Continued)

Primary Examiner — Cynthia Ramirez
Assistant Examiner — Carrie A Matteoli
(74) *Attorney, Agent, or Firm* — Edell, Shapiro & Finnan, LLC

(56) **References Cited**

U.S. PATENT DOCUMENTS

2,149,140 A 2/1939 Gonzalez-Rincones
D258,793 S 4/1981 Rinz
4,574,412 A 3/1986 Smith
D293,990 S 2/1988 Brooksby
4,731,890 A 3/1988 Roberts
D419,819 S 2/2000 Bartoli
D431,745 S 10/2000 Jackson
6,202,234 B1 * 3/2001 Henderson A47C 7/029
5/653
D493,324 S * 7/2004 Rodgers D6/601
D561,511 S * 2/2008 Peart D6/601
D592,438 S 5/2009 Schottin
7,578,013 B2 8/2009 Aikman
7,793,371 B1 9/2010 Leach
10,022,285 B2 7/2018 Melcher et al.
D830,733 S * 10/2018 Mi D6/601

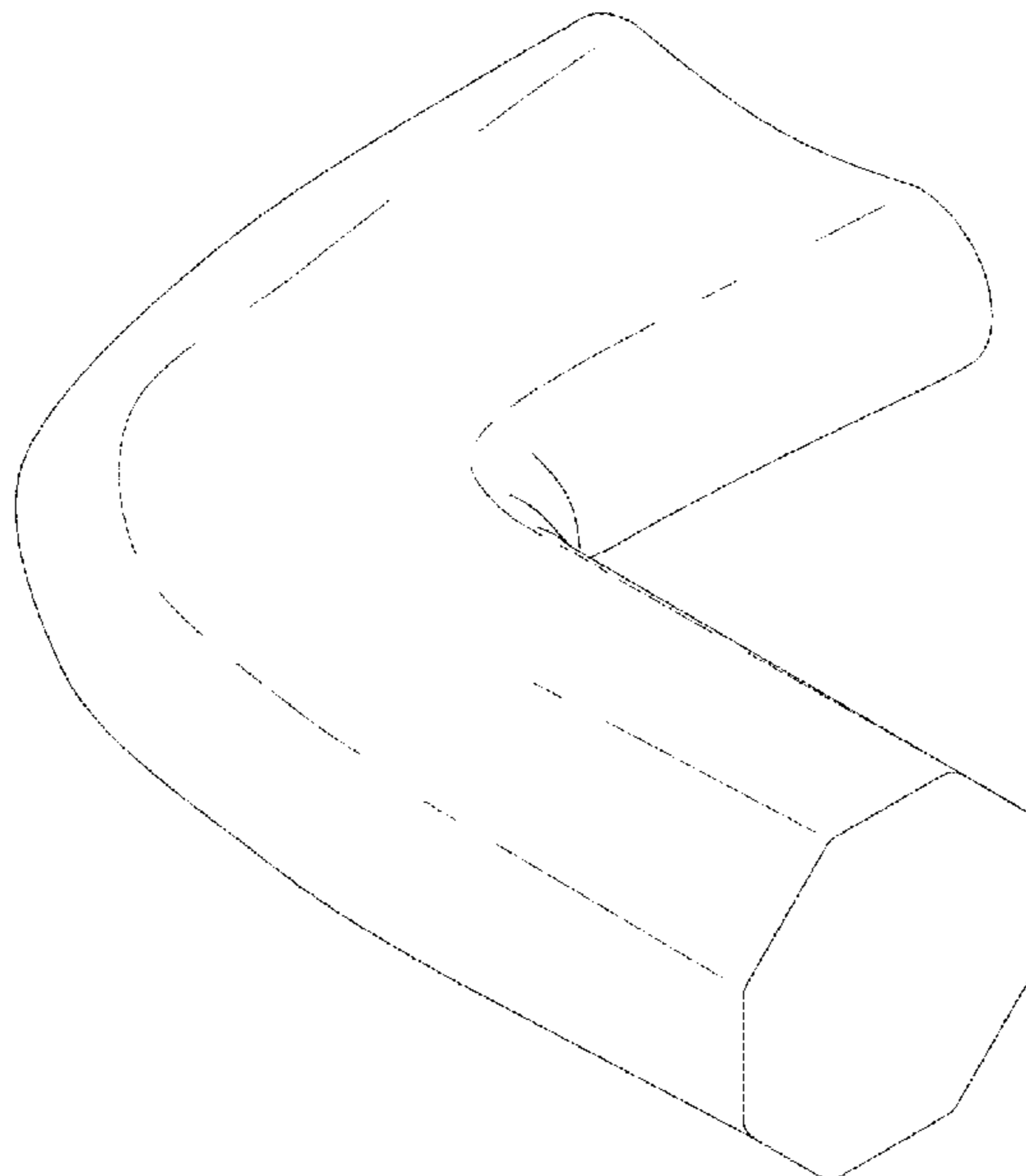
(57) **CLAIM**

The ornamental design for a pillow, as shown and described.

DESCRIPTION

FIG. 1 is a front perspective view of a pillow;
FIG. 2 is a back perspective view of the pillow of FIG. 1;
FIG. 3 is a front view of the pillow of FIG. 1;
FIG. 4 is a back view of the pillow of FIG. 1;
FIG. 5 is a first side view of the pillow of FIG. 1;
FIG. 6 is a second side view of the pillow of FIG. 1;
FIG. 7 is a top view of the pillow of FIG. 1; and,
FIG. 8 is a bottom view of the pillow of FIG. 1.

1 Claim, 4 Drawing Sheets



(56)

References Cited

U.S. PATENT DOCUMENTS

2010/0078033 A1 4/2010 Aikman

FOREIGN PATENT DOCUMENTS

EP	1951173 B1	6/2012
ES	2531387 B1	12/2015
KR	101260501 B1	5/2013
KR	200470931 Y1	1/2014

* cited by examiner

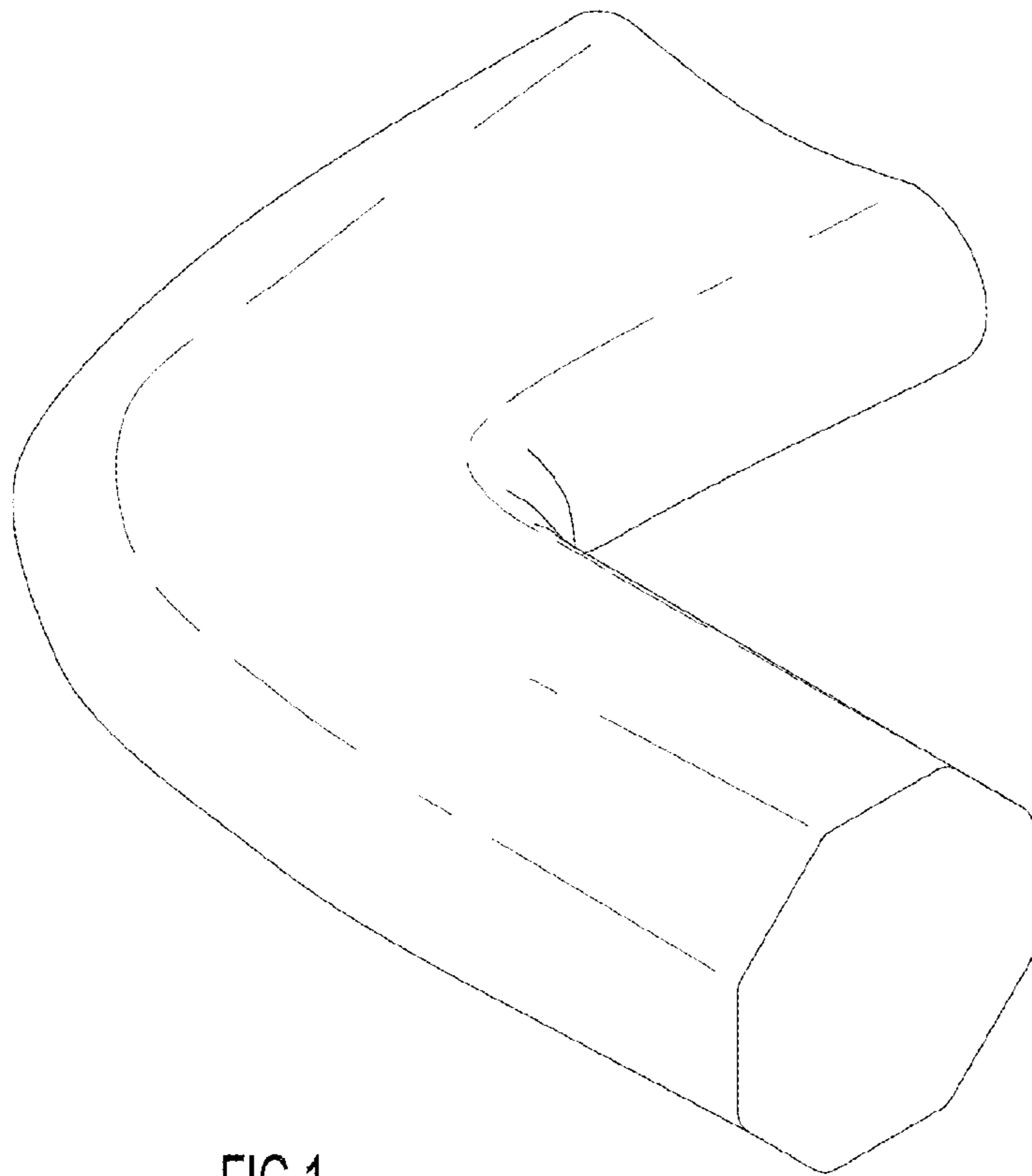


FIG.1

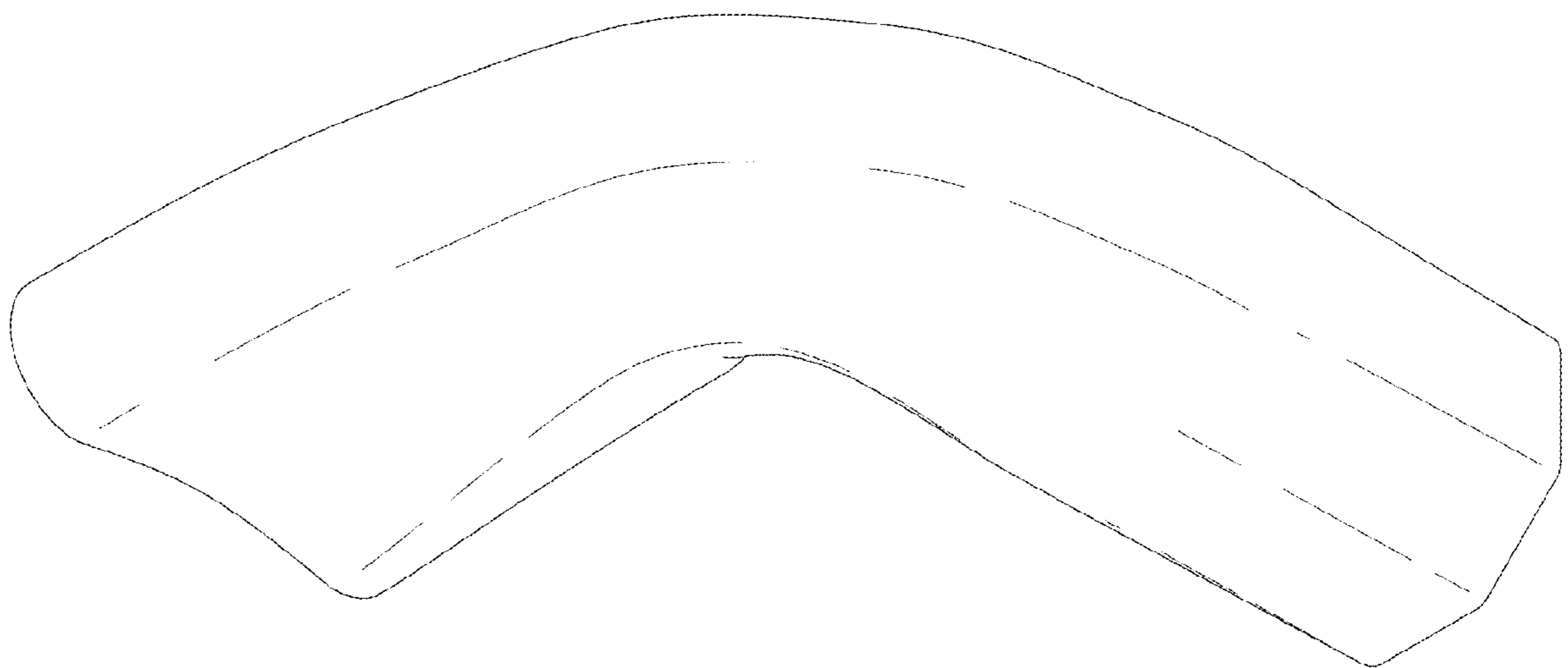


FIG.2

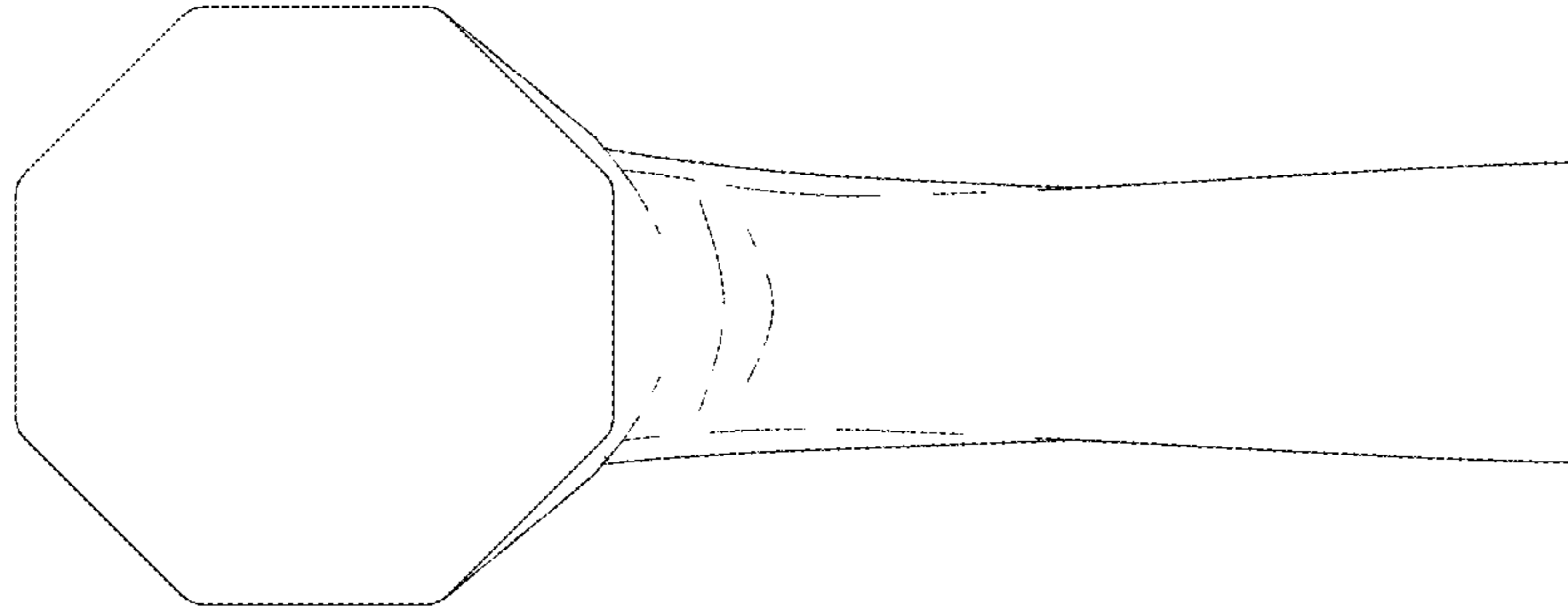


FIG.3

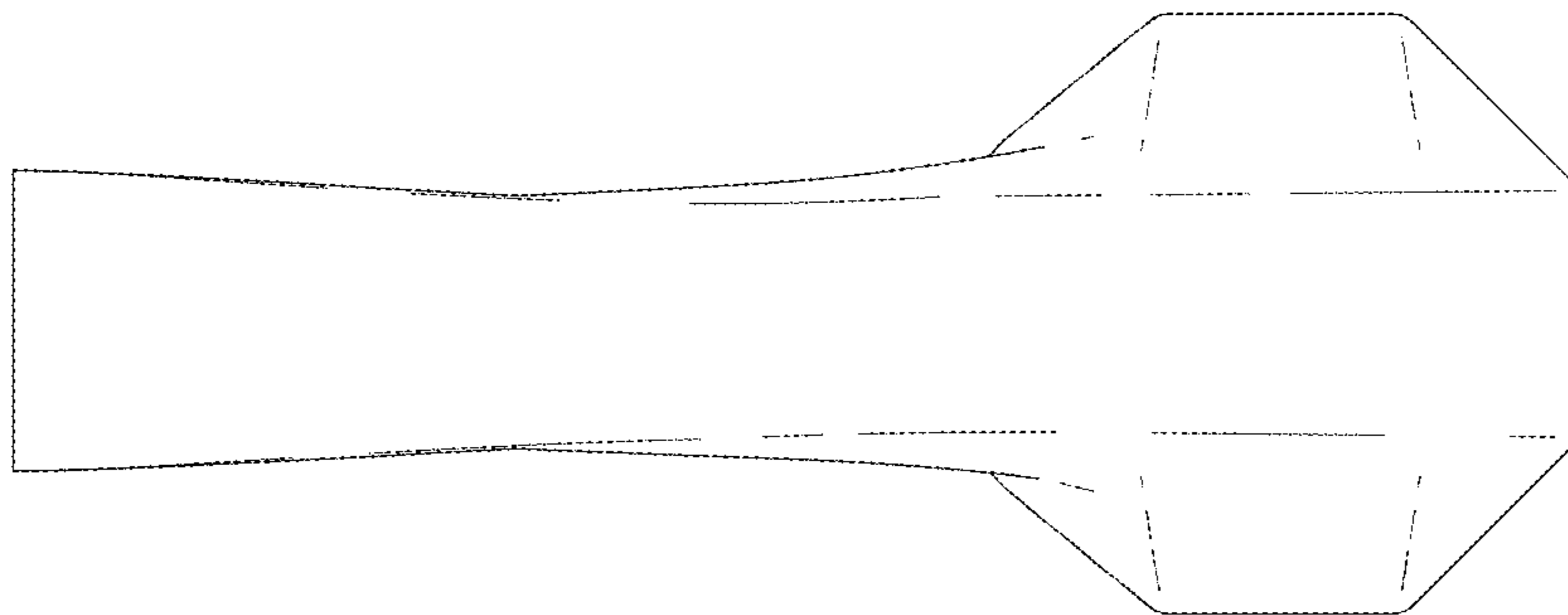


FIG.4

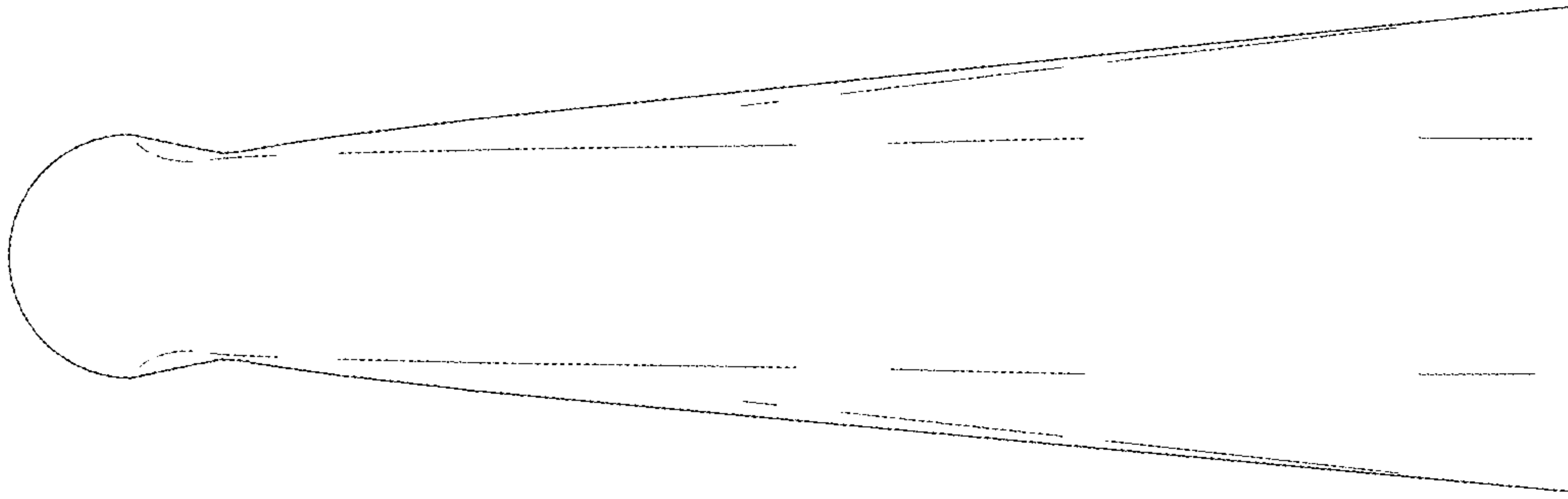


FIG.5

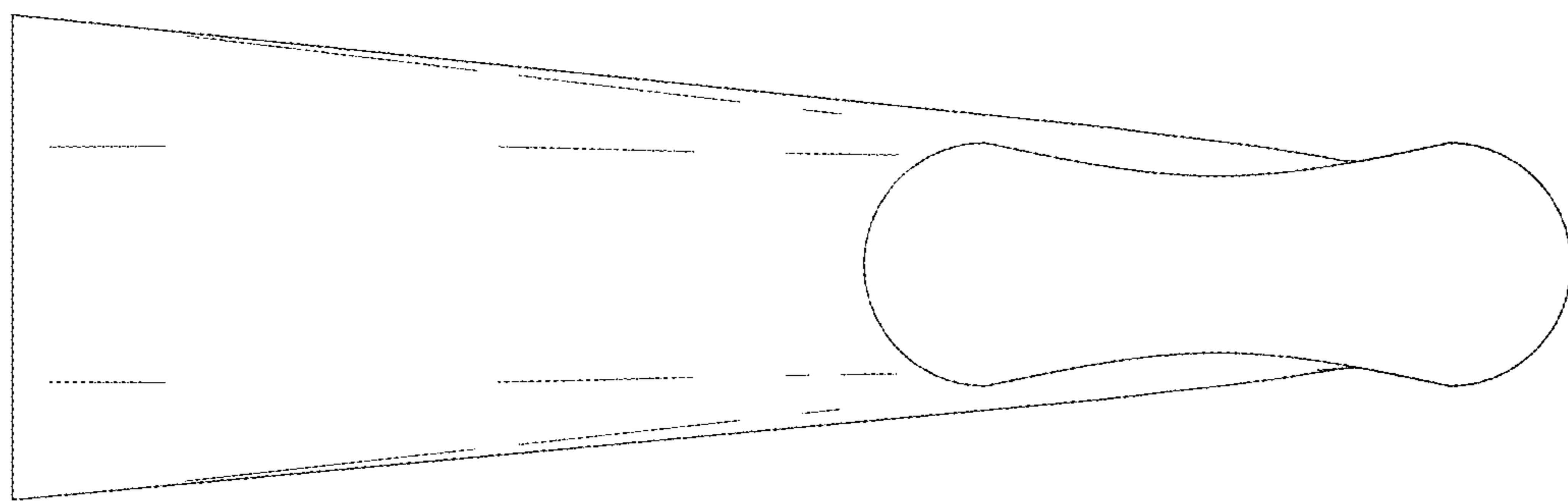


FIG.6

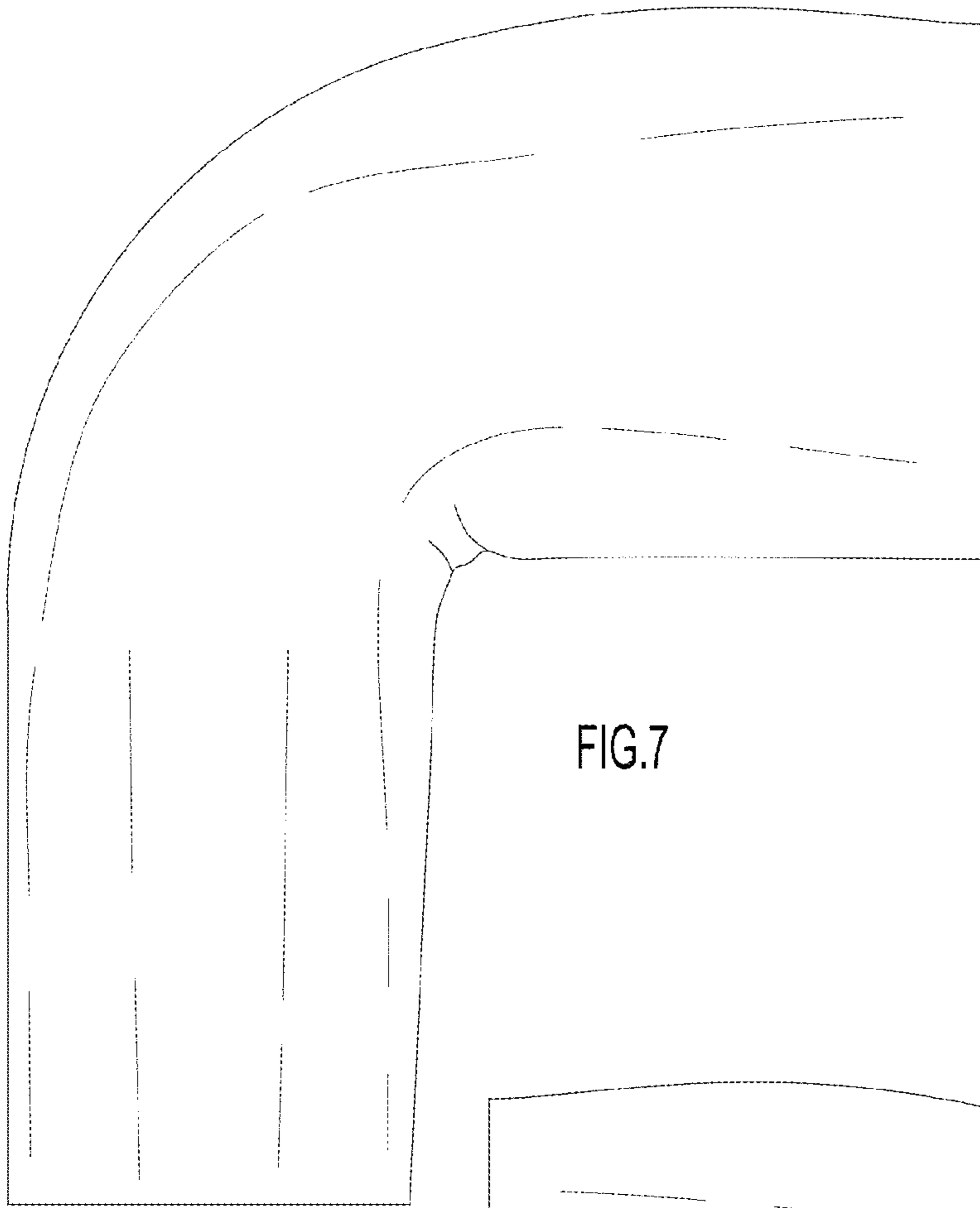


FIG.7

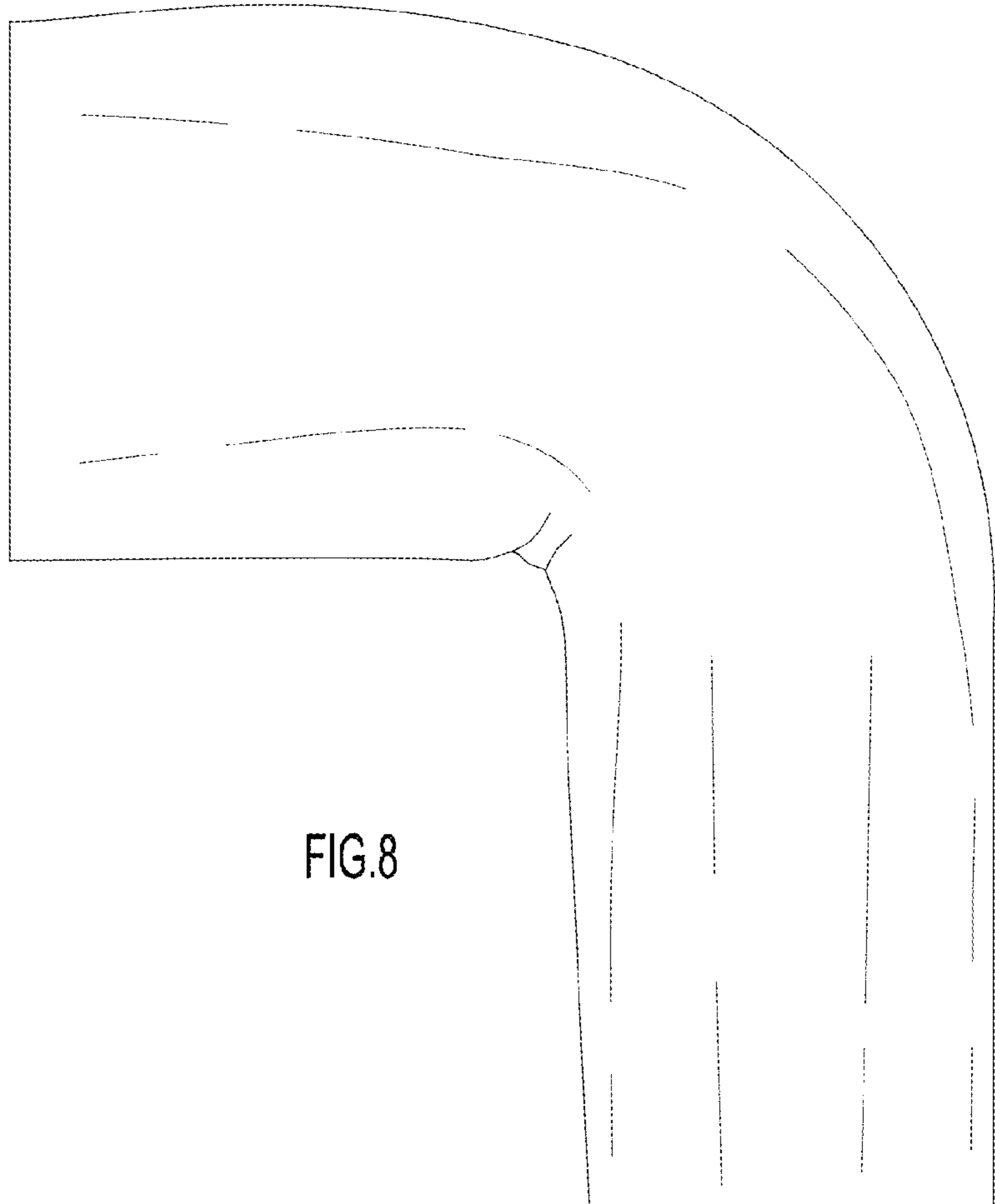


FIG.8