



US00D989514S

(12) **United States Design Patent**
Attwood

(10) **Patent No.:** **US D989,514 S**

(45) **Date of Patent:** **** Jun. 20, 2023**

(54) **SWIVEL SHELF**

6,948,626 B1 * 9/2005 Duncan A47J 47/16
211/70.7

(71) Applicant: **Anastasia C. Attwood**, Kissimmee, FL
(US)

D571,592 S 6/2008 Bickler et al.
D641,194 S * 7/2011 Vaccaro D6/525

(Continued)

(72) Inventor: **Anastasia C. Attwood**, Kissimmee, FL
(US)

FOREIGN PATENT DOCUMENTS

(73) Assignee: **Anastasia C. Attwood**, Kissimmee, FL
(US)

GB 6098845 * 8/2020
IN 346360-001-0001 * 7/2021
KR 300823272.0000 * 11/2015

(**) Term: **15 Years**

OTHER PUBLICATIONS

(21) Appl. No.: **29/788,649**

Heoniture Industrial Pipe Shelving, Pipe Shelves with Wood Planks,
Corner Floating Shelves Wall Mounted, Retro Rustic Industrial
Shelf for Bar Kitchen Living Room <https://a.co/d/78fheqP>, Sep. 27,
2021 (Year: 2021).*

(22) Filed: **Jul. 8, 2021**

(51) **LOC (14) Cl.** **06-04**

(52) **U.S. Cl.**
USPC **D6/574**

(Continued)

(58) **Field of Classification Search**
USPC D6/406.2, 512, 524, 525, 527, 562, 566,
D6/567, 570, 571, 574; D15/140
CPC ... A47B 13/023; A47B 47/022; A47B 57/565;
A47B 81/007; A47B 87/0246; A47B
96/02; A47B 96/1408; A47F 5/01; A47F
7/163; A47F 7/283; A47J 47/16; A47K
3/281; A47K 5/00; A47K 17/00; G09F
2005/045

Primary Examiner — Jennifer L Rempfer
Assistant Examiner — Bethany Louise Mallino
(74) *Attorney, Agent, or Firm* — Anastasia C. Attwood

See application file for complete search history.

(57) **CLAIM**

The ornamental design for a swivel shelf, as shown and
described.

(56) **References Cited**

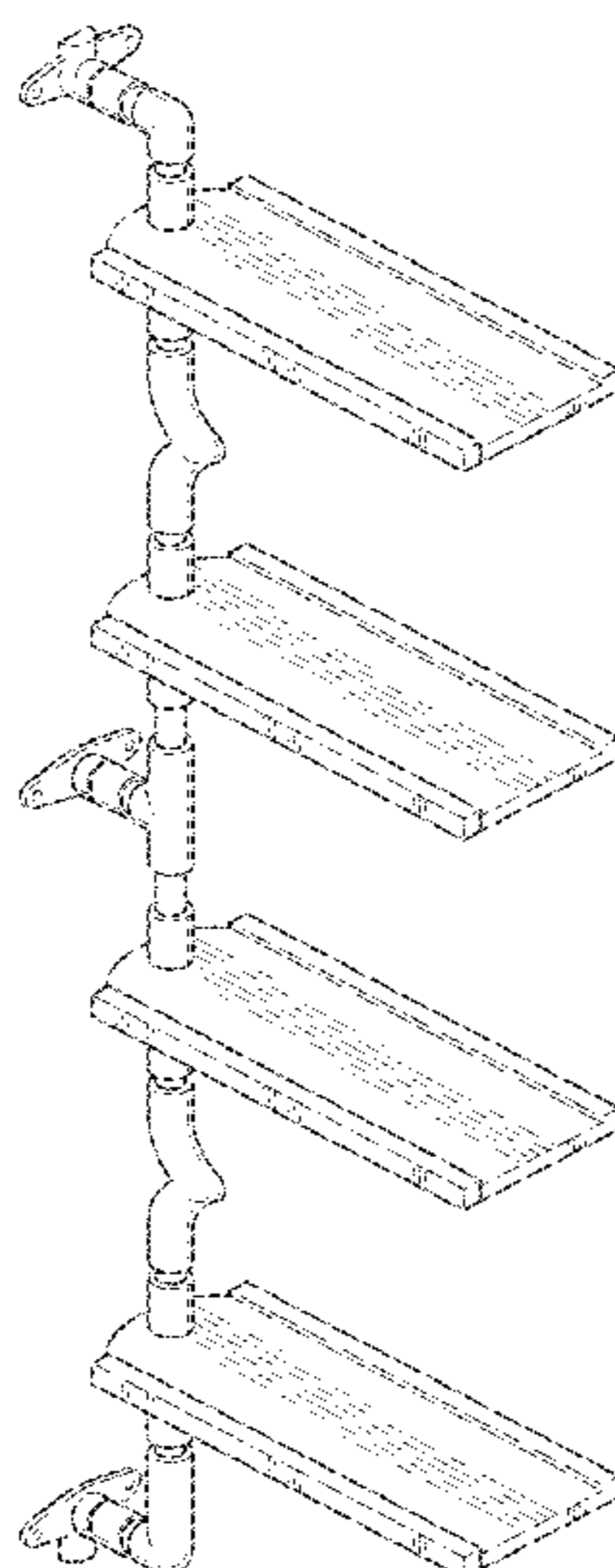
DESCRIPTION

U.S. PATENT DOCUMENTS

D257,195 S * 10/1980 Swett D6/570
4,442,778 A * 4/1984 Lang A47B 87/0246
211/186
4,938,364 A * 7/1990 Stadelman A47F 7/163
211/205
D421,692 S * 3/2000 Wojtowicz D6/525
D422,443 S * 4/2000 De Limur D6/406.2
D443,162 S * 6/2001 Winter D6/525
D462,552 S * 9/2002 Emery D6/525
D475,560 S * 6/2003 Suero, Jr. A47K 3/281
D6/525

FIG. 1 is a left perspective view of the swivel shelf, showing
my new design;
FIG. 2 is a front elevation view of the swivel shelf;
FIG. 3 is a rear elevation view of the swivel shelf;
FIG. 4 is a left side elevation view of the swivel shelf;
FIG. 5 is a right side elevation view of the swivel shelf;
FIG. 6 is a top plan view of the swivel shelf;
FIG. 7 is a bottom plan view of the swivel shelf; and,
FIG. 8 is a front view of the swivel shelf in an alternate
configuration.

1 Claim, 5 Drawing Sheets



(56)

References Cited

U.S. PATENT DOCUMENTS

8,720,708 B1 * 5/2014 Gilmore A47B 96/02
211/205
D711,666 S 8/2014 Fritz
D711,667 S 8/2014 Fritz
D711,668 S 8/2014 Fritz
D727,631 S 4/2015 Irvin
D785,366 S 5/2017 Andrew
D788,490 S 6/2017 Klein et al.
D869,206 S 12/2019 Wu
2013/0313212 A1 * 11/2013 Lindo A47K 17/00
211/119.011
2016/0128477 A1 * 5/2016 Jensen A47F 7/283
211/85.18
2017/0055780 A1 * 3/2017 Jepson A47K 3/281

OTHER PUBLICATIONS

Baoyouni Bathroom Tension Pole Corner Shower Caddy Telescopic
Shower Storage Rack Organizer 4 Tier Adjustable Rectangle Shelves—
Ivory <https://a.co/d/bPUebsC>, TinEye: Feb. 21, 2018 (Year: 2018).*

* cited by examiner

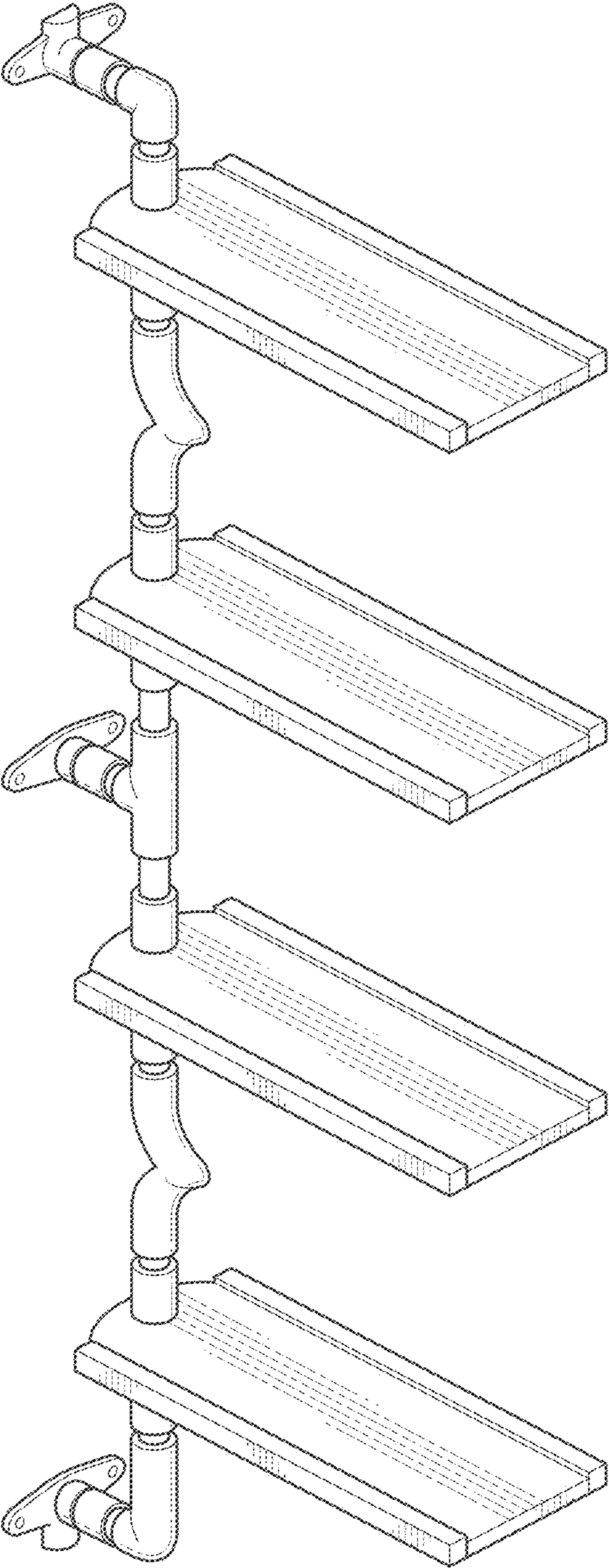


FIG. 1

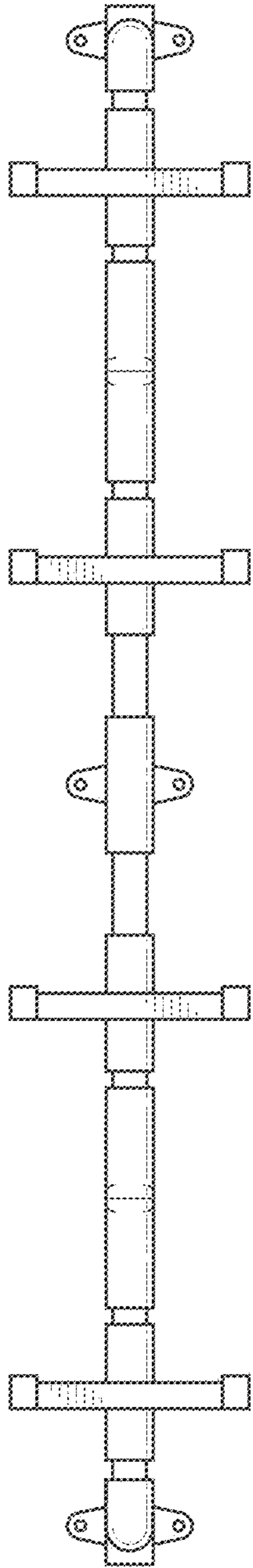


FIG. 2

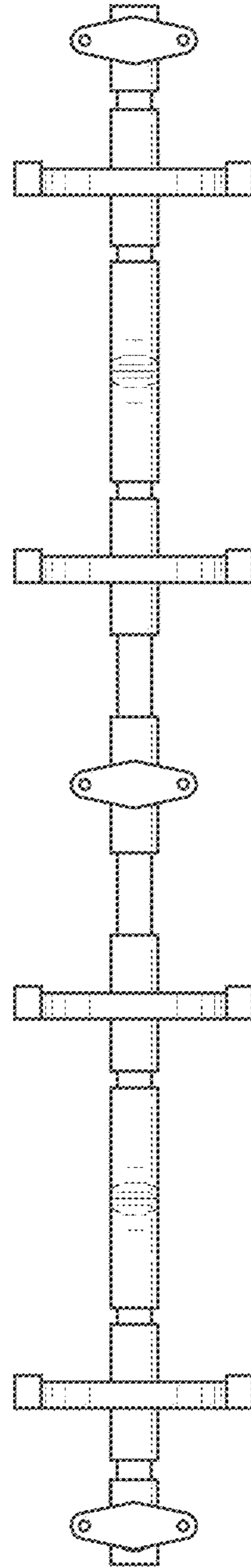


FIG. 3

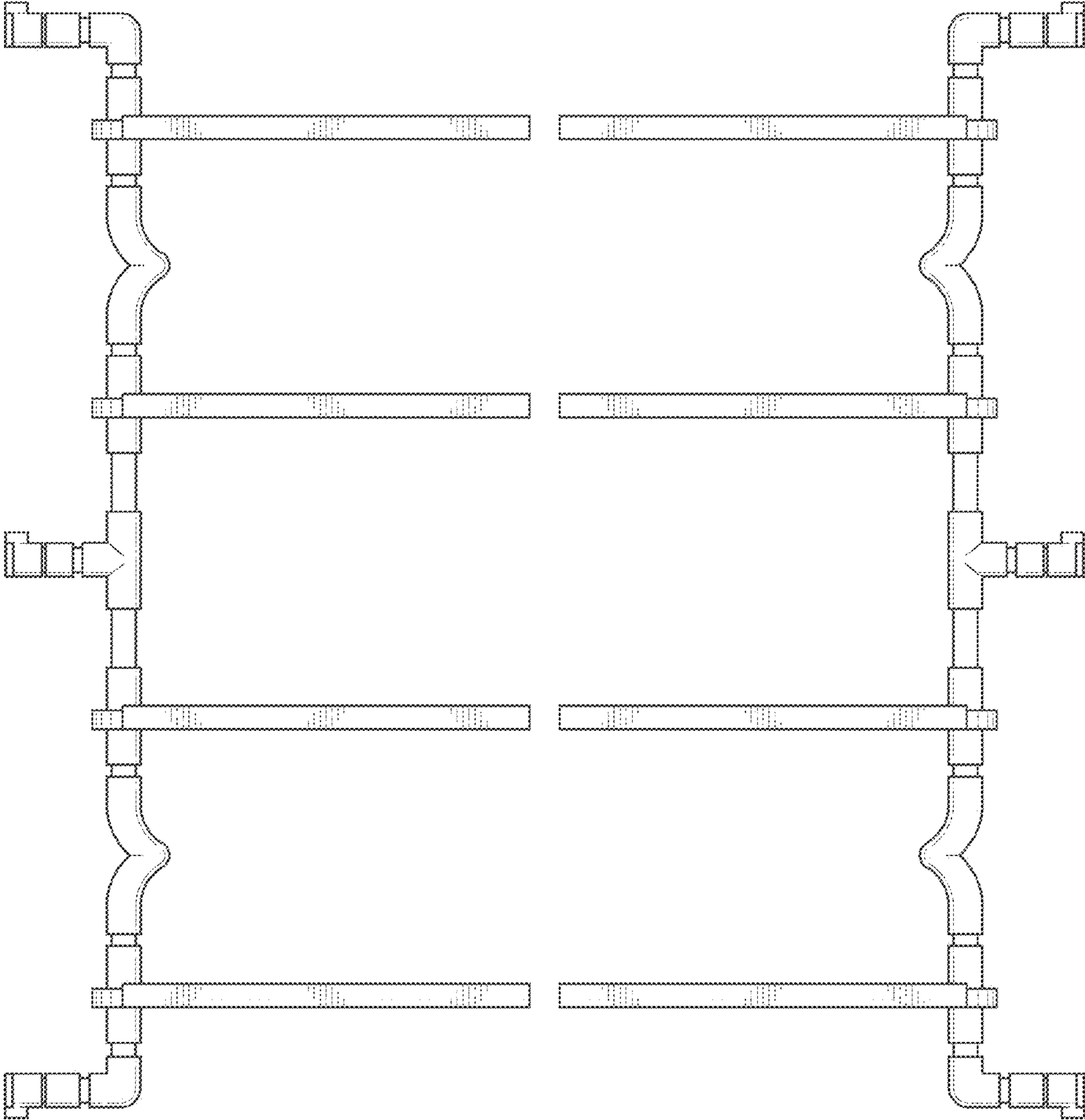


FIG. 4

FIG. 5

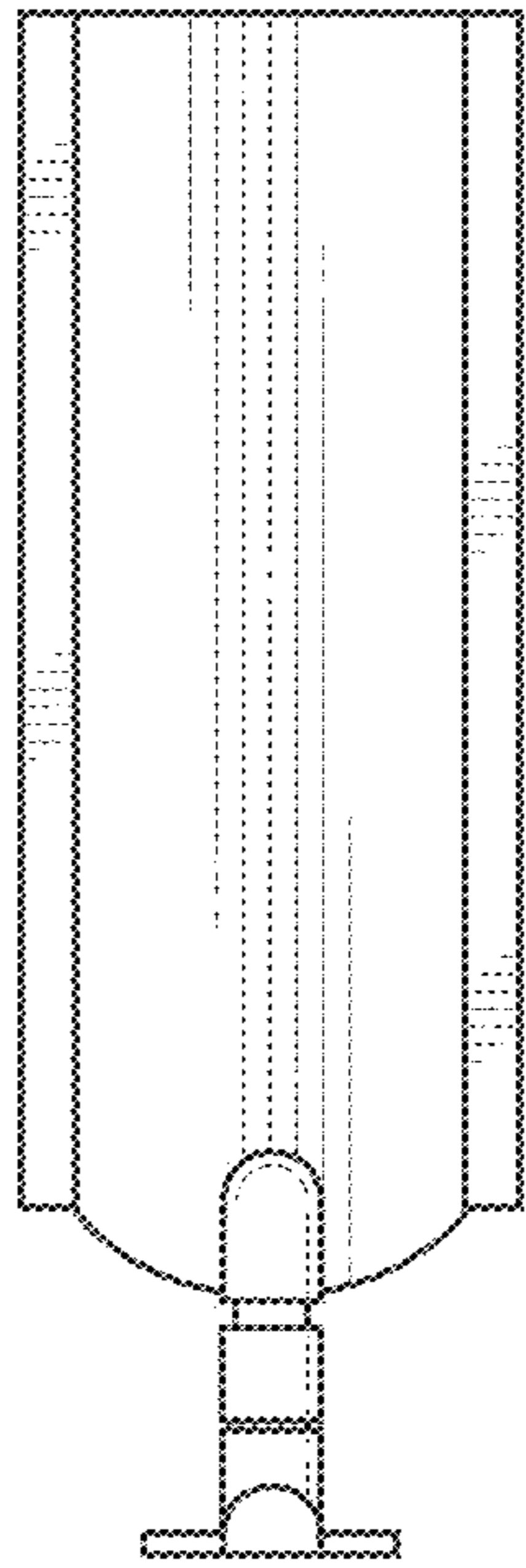


FIG. 6

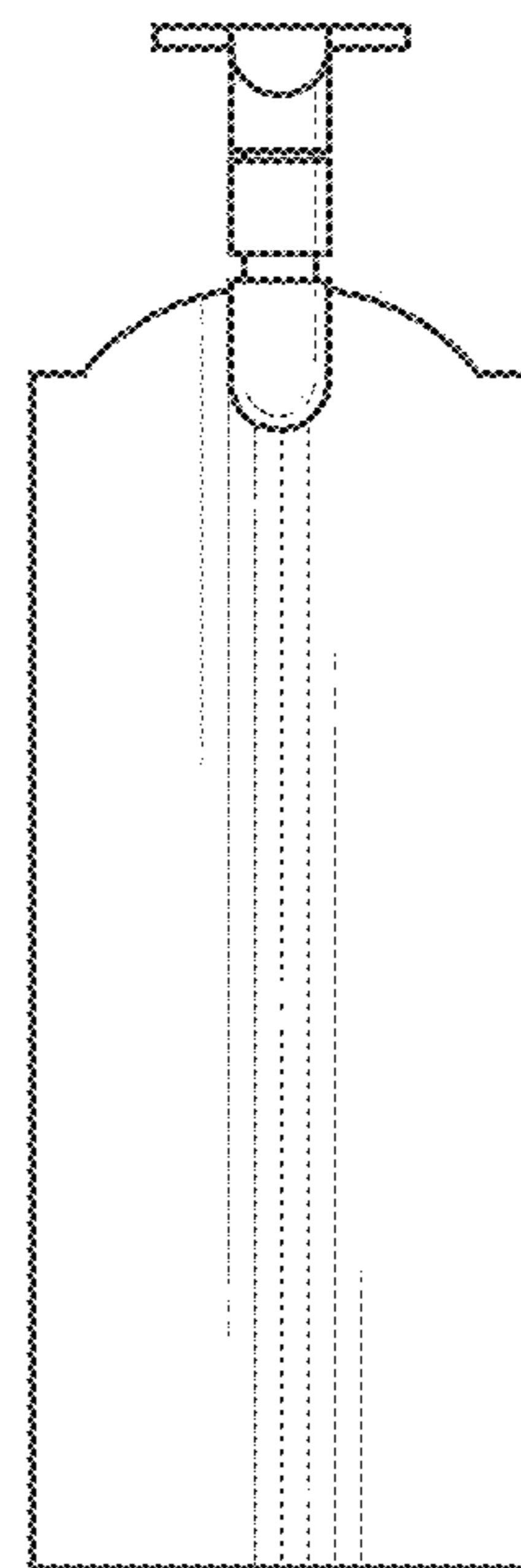


FIG. 7

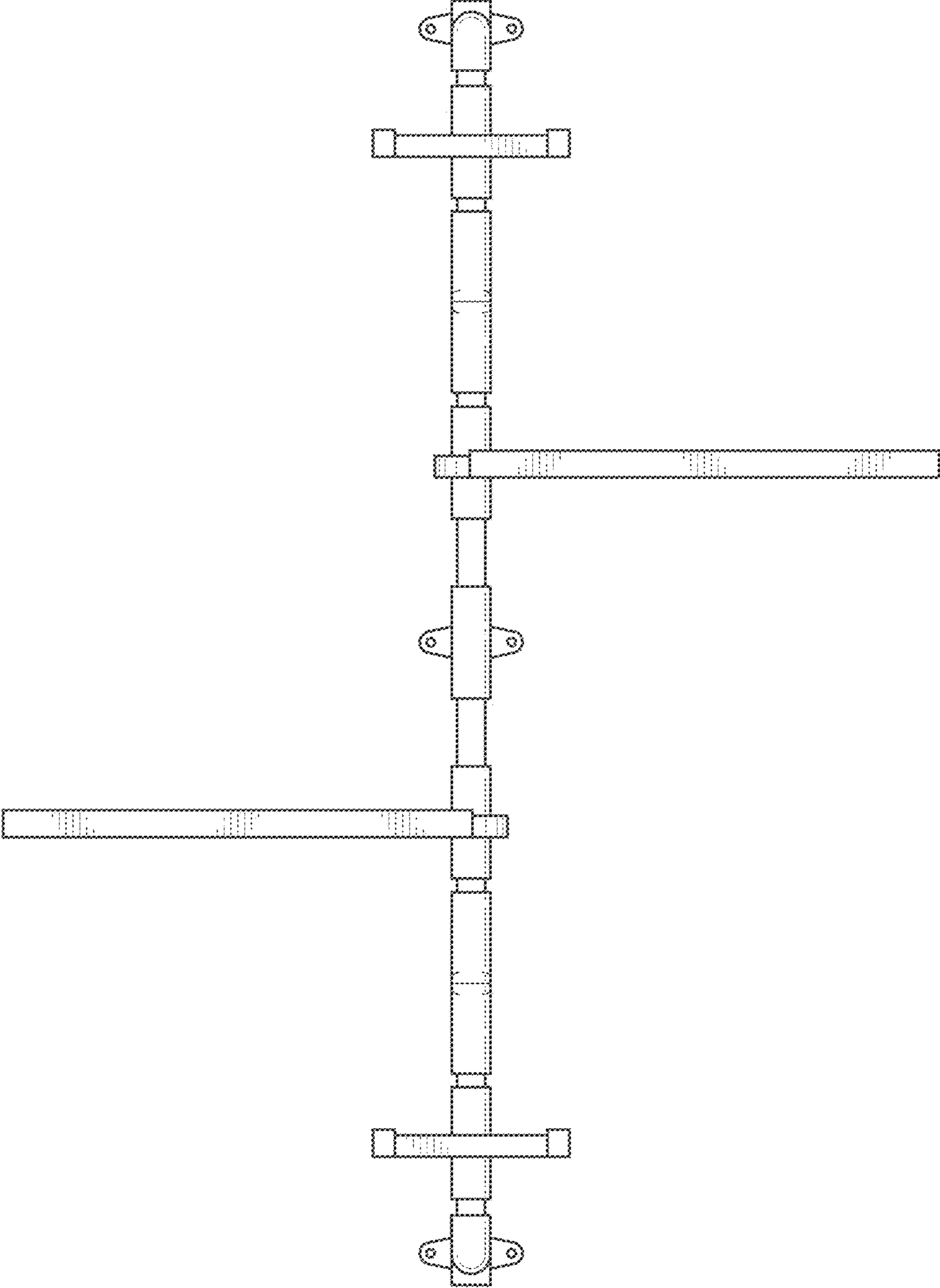


FIG. 8