



US00D989513S

(12) **United States Design Patent** (10) **Patent No.:** **US D989,513 S**
Mu (45) **Date of Patent:** **** Jun. 20, 2023**

(54) **SPONGE HOLDER**
(71) Applicant: **Richard Mu**, Brentwood, TN (US)
(72) Inventor: **Richard Mu**, Brentwood, TN (US)
(**) Term: **15 Years**
(21) Appl. No.: **29/805,657**
(22) Filed: **Aug. 27, 2021**
(51) **LOC (14) Cl.** **07-09**
(52) **U.S. Cl.**
USPC **D6/566**
(58) **Field of Classification Search**
USPC D3/201, 304-7, 315, 901; D6/514, 515,
D6/524, 525, 536, 537, 540, 542, 552,
D6/553, 562, 566, 567, 574; D7/601,
D7/602, 605, 631; D32/55
CPC A47B 47/03; A47B 57/26; A47B 57/265;
A47B 57/565; A47B 73/00; A47B 77/14;
A47B 81/00; A47B 81/02; A47B 81/04;
A47G 21/14; A47G 23/00; A47G 23/02;
A47G 23/0241; A47G 29/08; A47J 47/00;
A47J 47/021; A47J 47/16; A47J 47/20;
A47K 1/08; A47K 1/09; A47K 3/281;
A47K 3/001; A47L 15/503; A47L 15/505;
A47L 15/0013; A47L 19/02; A47L 19/04;
B23P 17/04; F16B 47/00
See application file for complete search history.

D612,648 S * 3/2010 Guindi D6/536
D637,850 S * 5/2011 Ghiorghie D6/524
D701,397 S * 3/2014 Snider D6/566
D762,397 S * 8/2016 Goodman D6/537
D808,603 S * 1/2018 Yuan D32/55
D863,816 S * 10/2019 Tuang D6/566
D917,201 S * 4/2021 Dittrich D32/55
(Continued)

FOREIGN PATENT DOCUMENTS

CA 166862 * 9/2016
JP D1717417 * 6/2022

OTHER PUBLICATIONS

MDesign Metal Farmhouse Kitchen Sink Storage Organizer Caddy—
Small Holder for Sponges, Soaps, Scrubbers—Quick Drying Open
Wire Basket Design with Strong Suction Cups—Chrome <https://a.co/d/is79Lgh>, Dec. 9, 2015 (Year: 2015).*
(Continued)

Primary Examiner — Jennifer L Rempfer
Assistant Examiner — Bethany Louise Mallino
(74) *Attorney, Agent, or Firm* — ScienBiziP, P.C.

(57) **CLAIM**

The ornamental design for a sponge holder, as shown and described.

DESCRIPTION

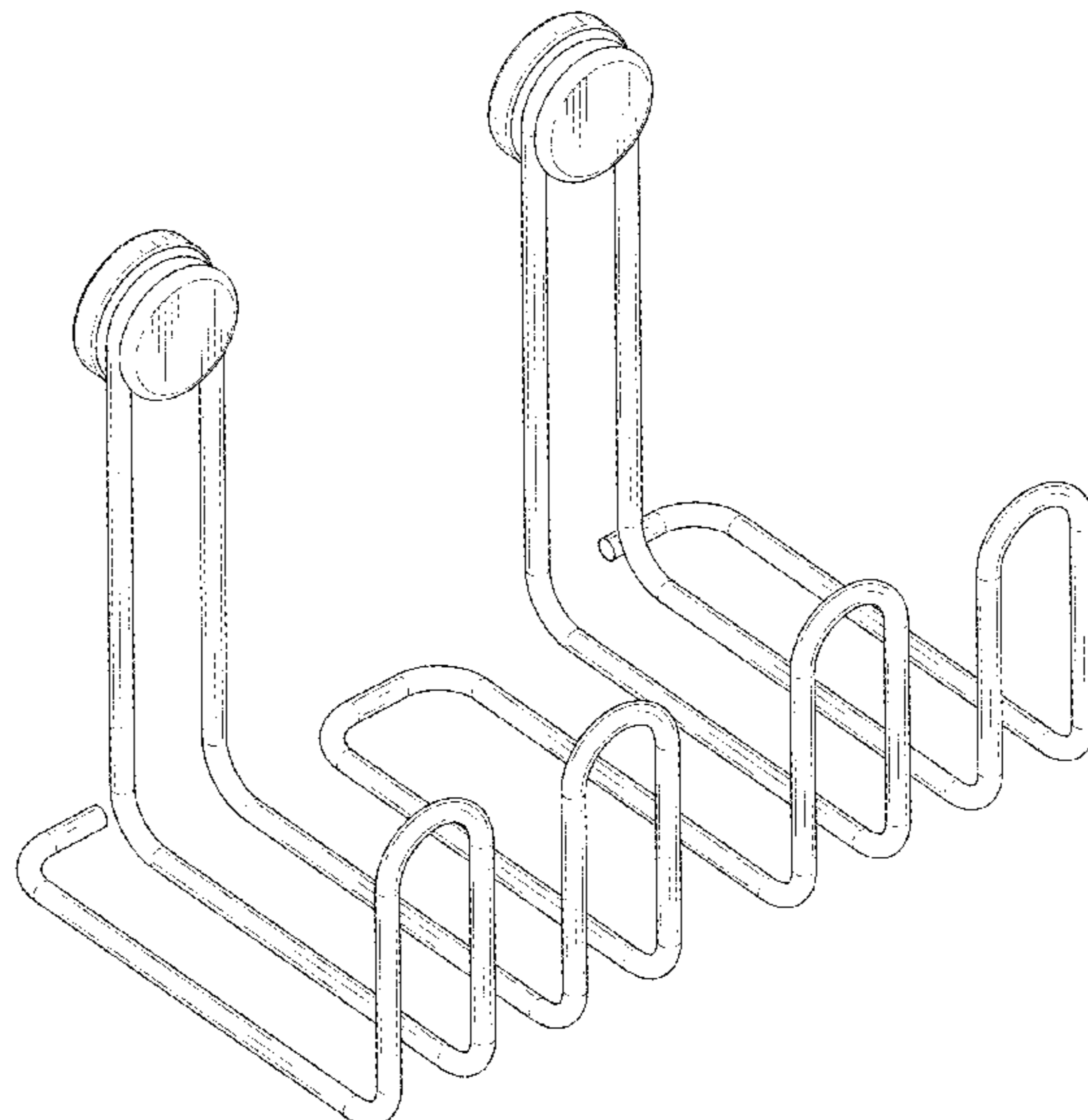
FIG. 1 is a front, left and top perspective view of a sponge holder, showing my design.
FIG. 2 is a rear, right and bottom perspective view thereof.
FIG. 3 is a front elevation view thereof.
FIG. 4 is a rear elevation view thereof.
FIG. 5 is a left side elevation view thereof.
FIG. 6 is a right side elevation view thereof.
FIG. 7 is a top plan view thereof; and,
FIG. 8 is a bottom plan view thereof.

1 Claim, 8 Drawing Sheets

(56) **References Cited**

U.S. PATENT DOCUMENTS

D322,002 S * 12/1991 Emery D6/567
D388,993 S * 1/1998 Hampshire D6/567
D409,426 S * 5/1999 Hampshire D6/567
D449,480 S * 10/2001 Snell D6/525
D449,752 S * 10/2001 Snell D6/537
D453,651 S * 2/2002 Snell D6/537
D563,138 S * 3/2008 Kramer D6/562
D563,708 S * 3/2008 Snell D6/566



(56)

References Cited

U.S. PATENT DOCUMENTS

D953,120 S * 5/2022 Zhang D7/601

OTHER PUBLICATIONS

Sponge Holder Sink Caddy for Kitchen Accessories, No Drilling Adhesive ,Rustproof SUS304 Stainless Steel <https://a.co/d/8DRpG7Q>, Jul. 6, 2018 (Year: 2018).*

Staubert Best Magnetic Sponge Holder Stainless Steel, <https://stauberbest.com/products/spongeholder>, TinEye Mar. 10, 2019 (Year: 2019).*

Desk Caddy Magnetic Storage Basket,Wire Mesh Magnetic Mesh Basket Tray Metal Desk Storage Organizer for Refrigerator, Whiteboard, Office Organization, Locker Accessories <https://a.co/d/7javVs>, Apr. 4, 2020 (Year: 2020).*

* cited by examiner

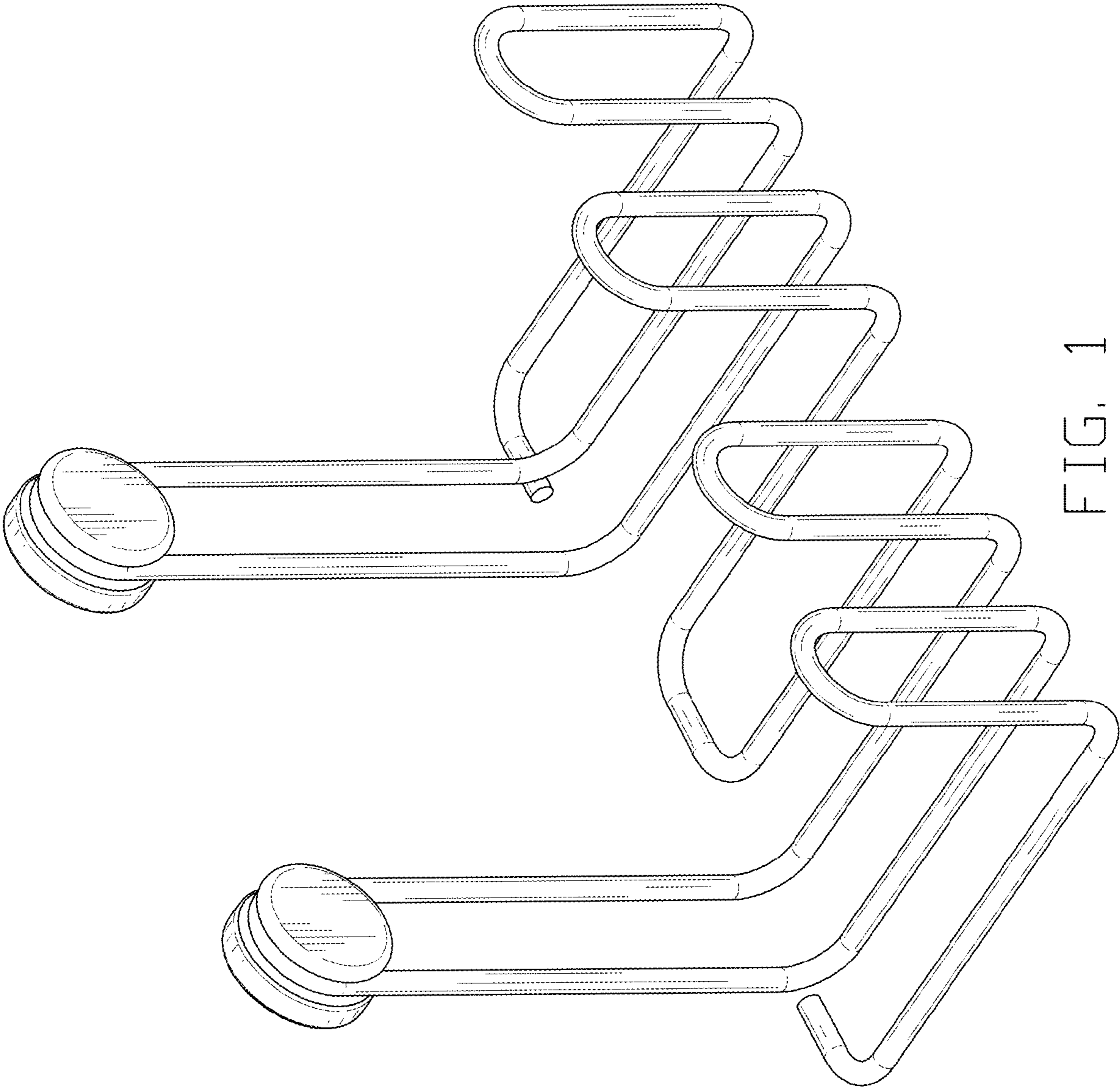


FIG. 1

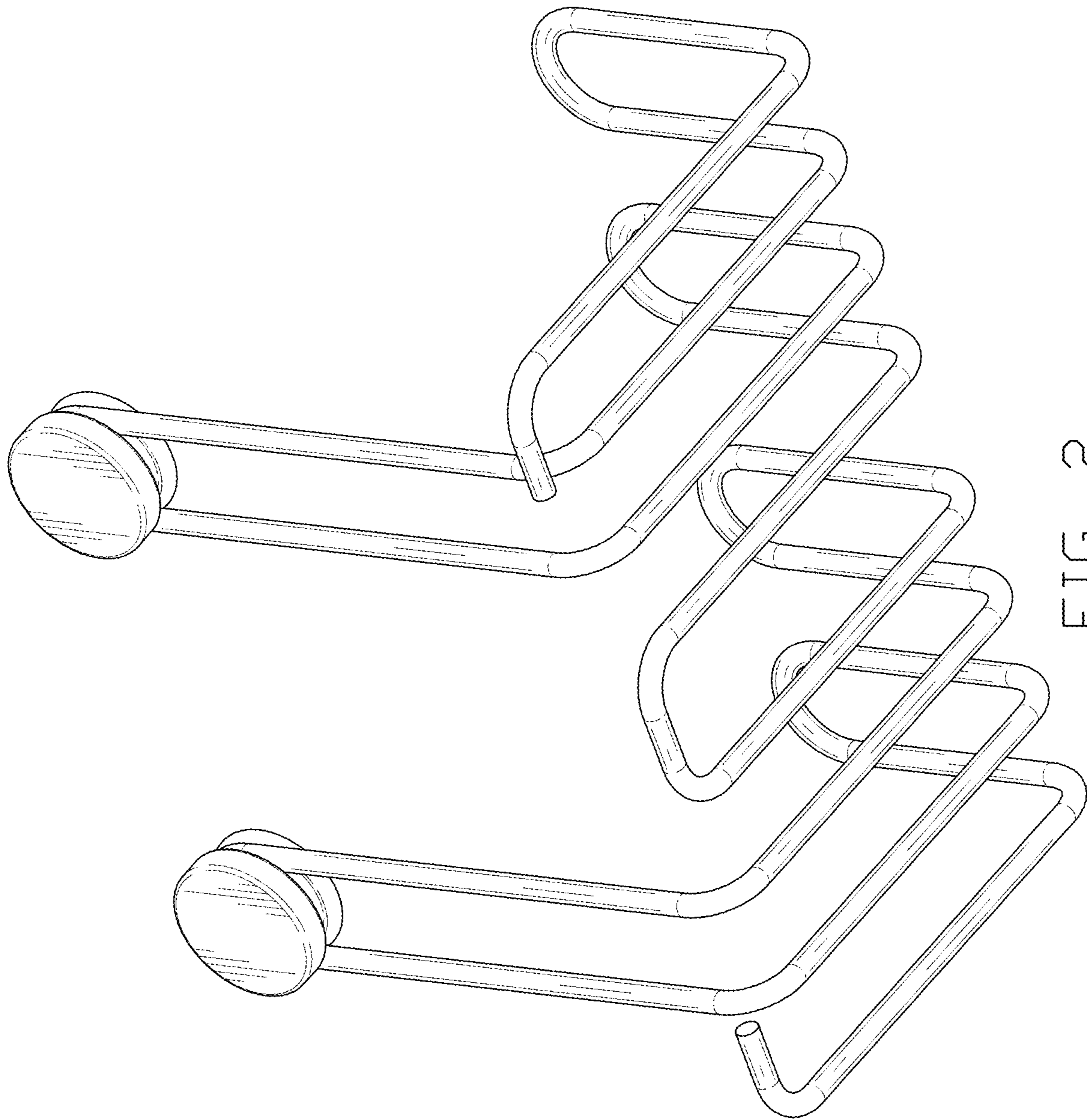


FIG. 2

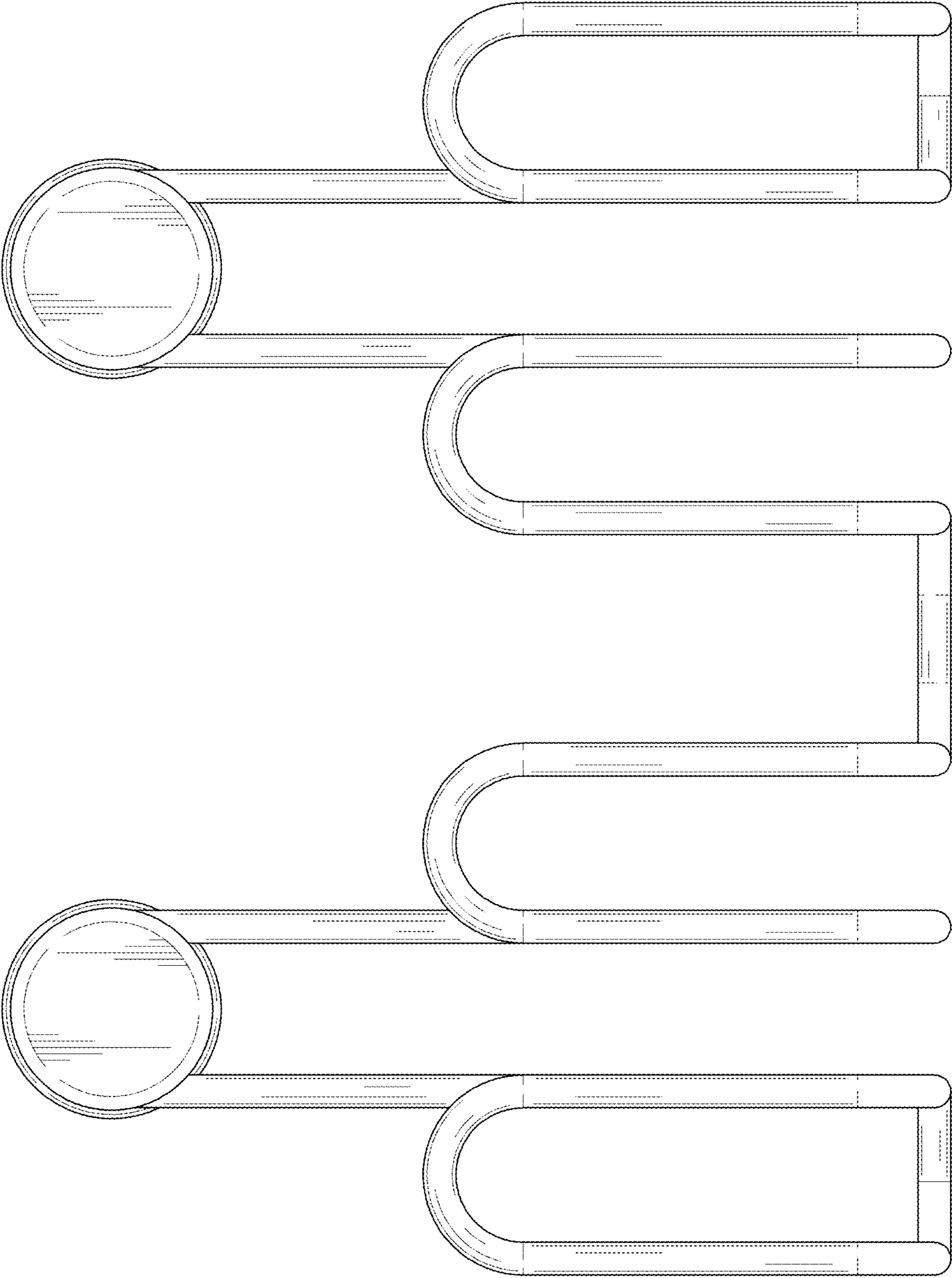


FIG. 3

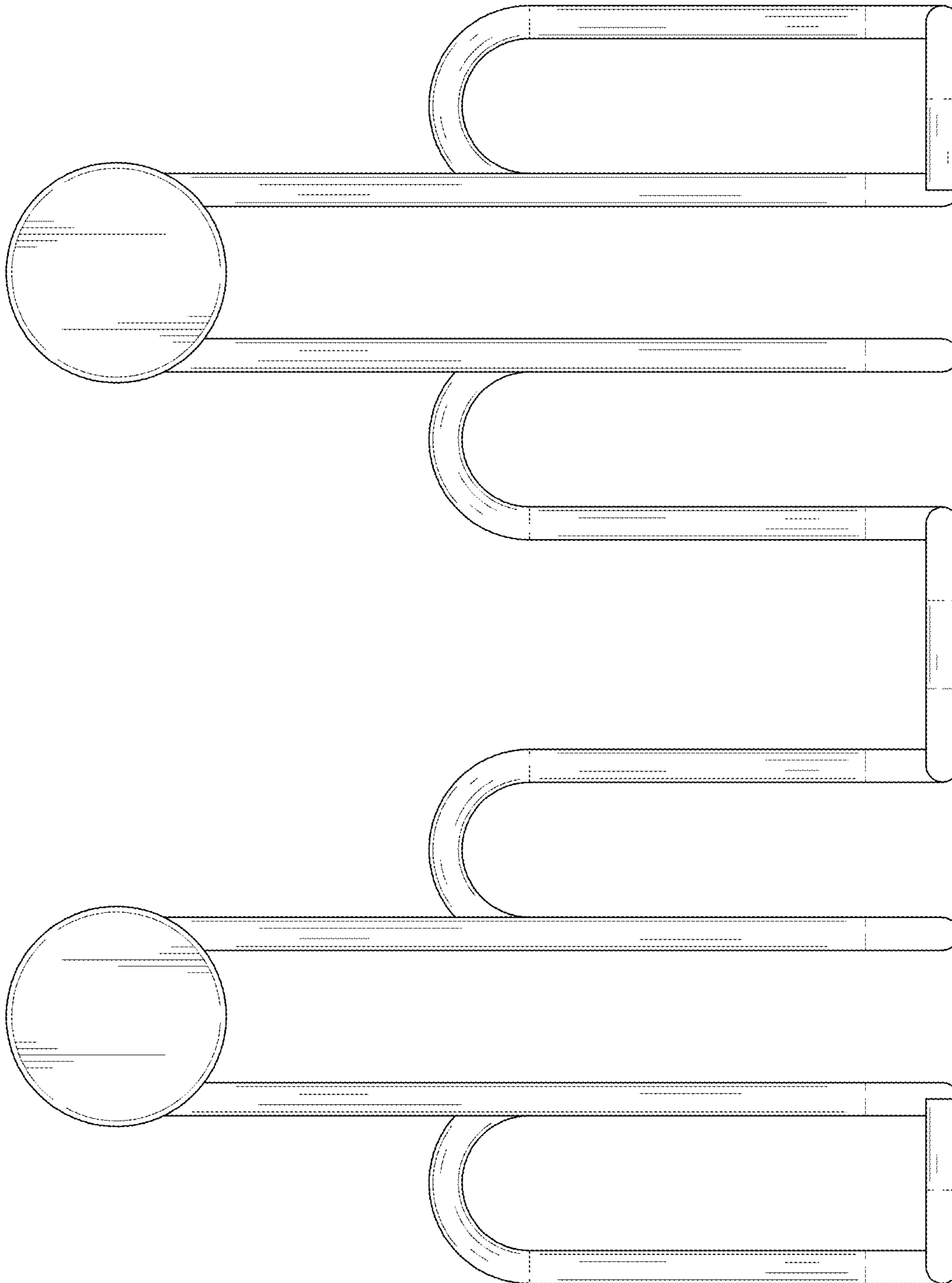


FIG. 4

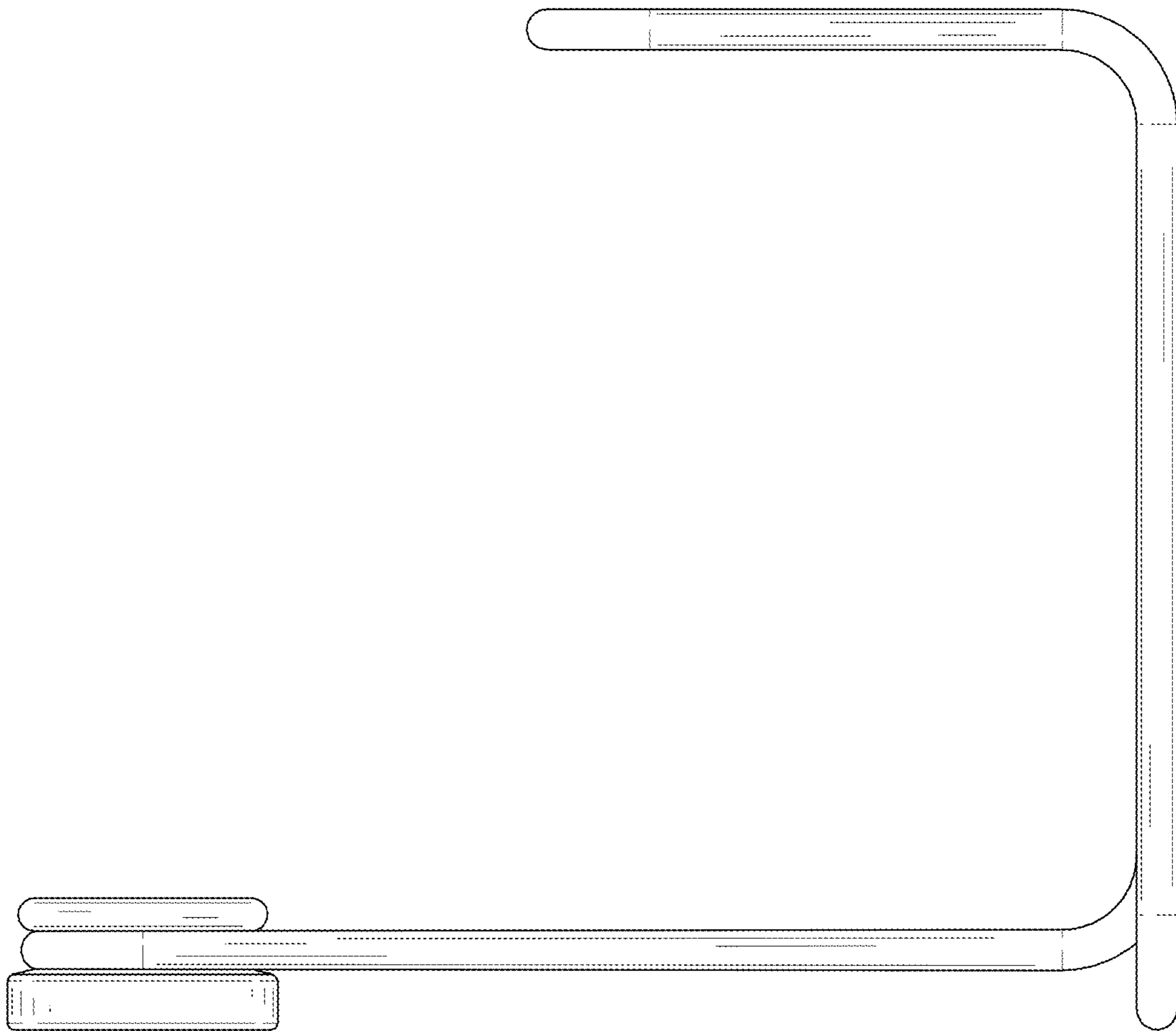


FIG. 5

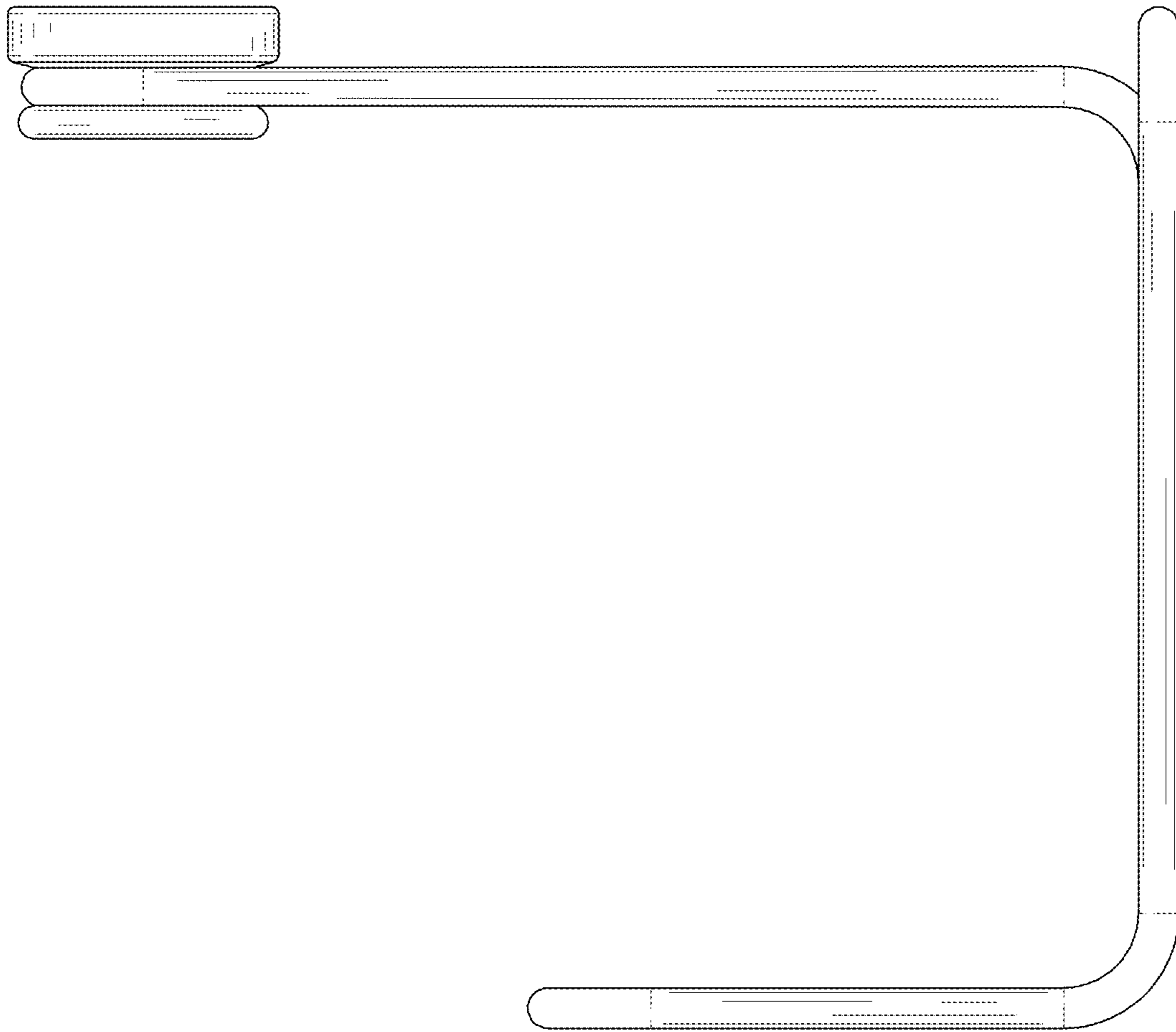


FIG. 6

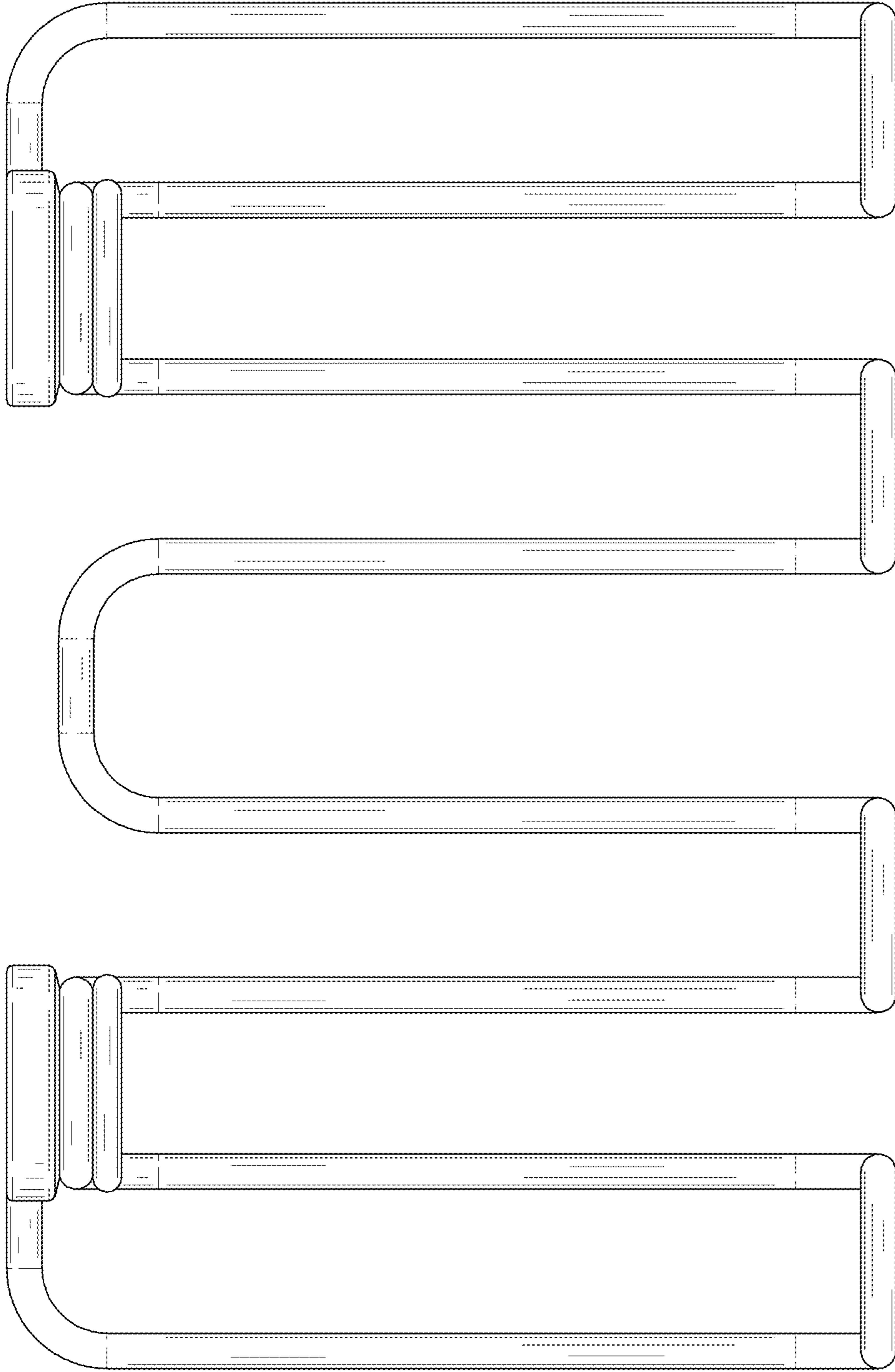


FIG. 7

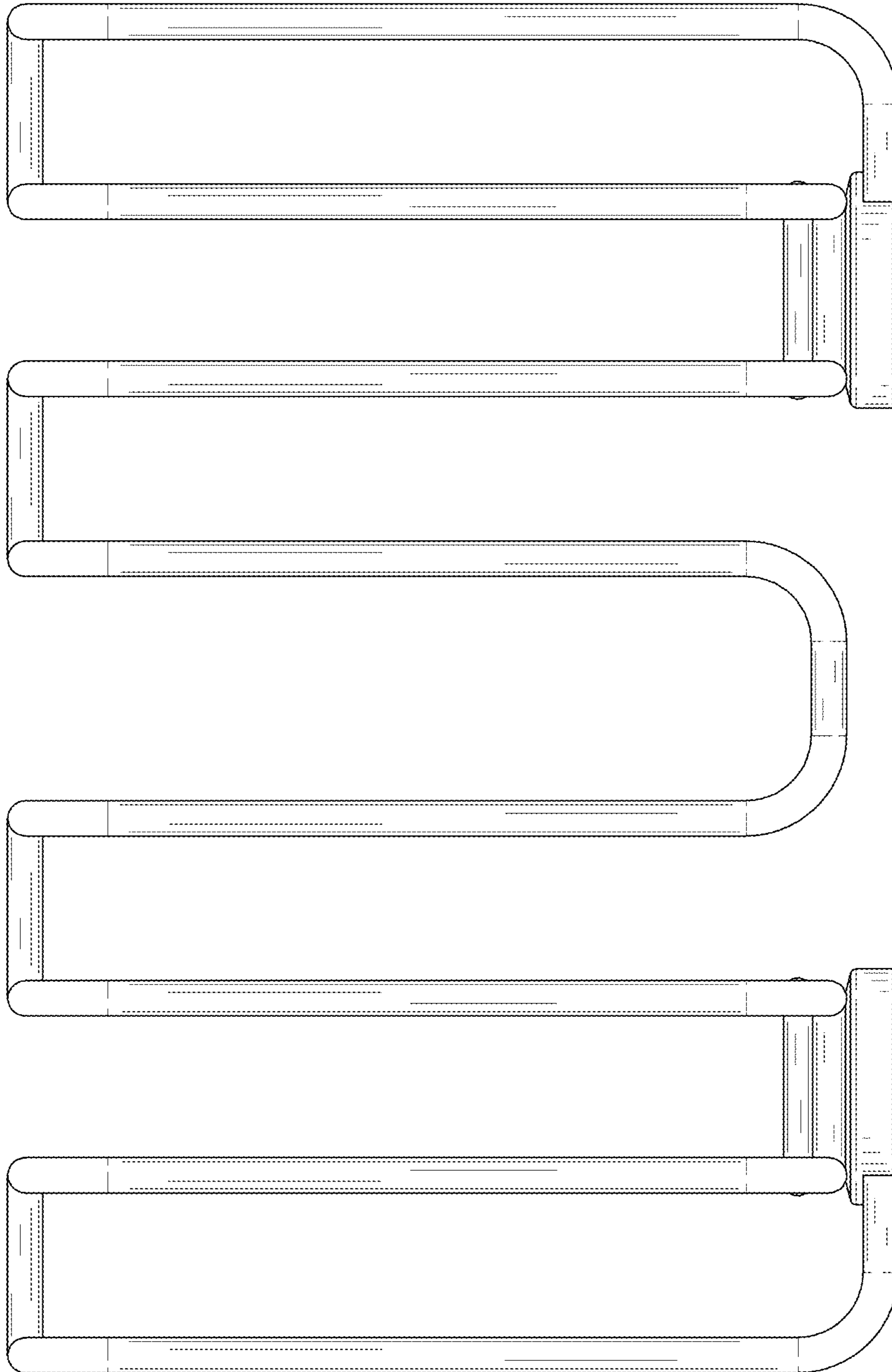


FIG. 8