



US00D989509S

(12) **United States Design Patent** (10) **Patent No.:** **US D989,509 S**
Léveillé et al. (45) **Date of Patent:** **** Jun. 20, 2023**

(54) **PAPER OR TOWEL DISPENSER**

FOREIGN PATENT DOCUMENTS

(71) Applicant: **CASCADES CANADA ULC**, Kingsey Falls (CA)

CA 2090778 A1 2/1994
CA 2116671 C 10/1995
(Continued)

(72) Inventors: **Manuel Léveillé**, Montreal (CA); **Olivier Patry**, Montreal (CA); **Nathalie Comeau**, Candiac (CA)

OTHER PUBLICATIONS

(73) Assignee: **CASCADES CANADA ULC**, Kingsey Falls (CA)

Tork Matic Paper Hand Towel Roll Dispenser White H1, One-at-a-Time Dispensing, Elevation Range, 5510202 <https://a.co/d/9z5fAnG>, Jul. 25, 2014 (Year: 2014).*

(**) Term: **15 Years**

(Continued)

(21) Appl. No.: **29/774,906**

Primary Examiner — Jennifer L Rempfer

(22) Filed: **Mar. 19, 2021**

Assistant Examiner — Bethany Louise Mallino

(74) *Attorney, Agent, or Firm* — Marshall, Gerstein & Borun LLP

Related U.S. Application Data

(62) Division of application No. 29/647,736, filed on May 15, 2018, now Pat. No. Des. 917,917.

(51) **LOC (14) Cl.** **23-08**

(52) **U.S. Cl.**
USPC **D6/522**

(58) **Field of Classification Search**
USPC D6/512, 515, 517, 518, 520, 522–524, D6/542–545; D7/306, 312, 313, 322, D7/397, 398; D23/207, 208, 234, 366
CPC A47K 10/16; A47K 10/32; A47K 10/34; A47K 10/424; A47K 10/3827; A47K 2010/3286; A47K 2201/00; B65H 16/005;
(Continued)

CLAIM

The ornamental design for a paper or towel dispenser, as shown and described.

DESCRIPTION

FIG. 1 is a perspective view of a dispenser;
FIG. 2 is a front elevation view of the dispenser shown in FIG. 1;
FIG. 3 is a rear elevation view of the dispenser shown in FIG. 1;
FIG. 4 is a top plan view of the dispenser shown in FIG. 1;
FIG. 5 is a bottom plan view of the dispenser shown in FIG. 1;
FIG. 6 is left-side elevation view of the dispenser shown in FIG. 1; and,
FIG. 7 is right-side elevation view of the dispenser shown in FIG. 1.

The portions shown in broken line form no part of the claimed design.

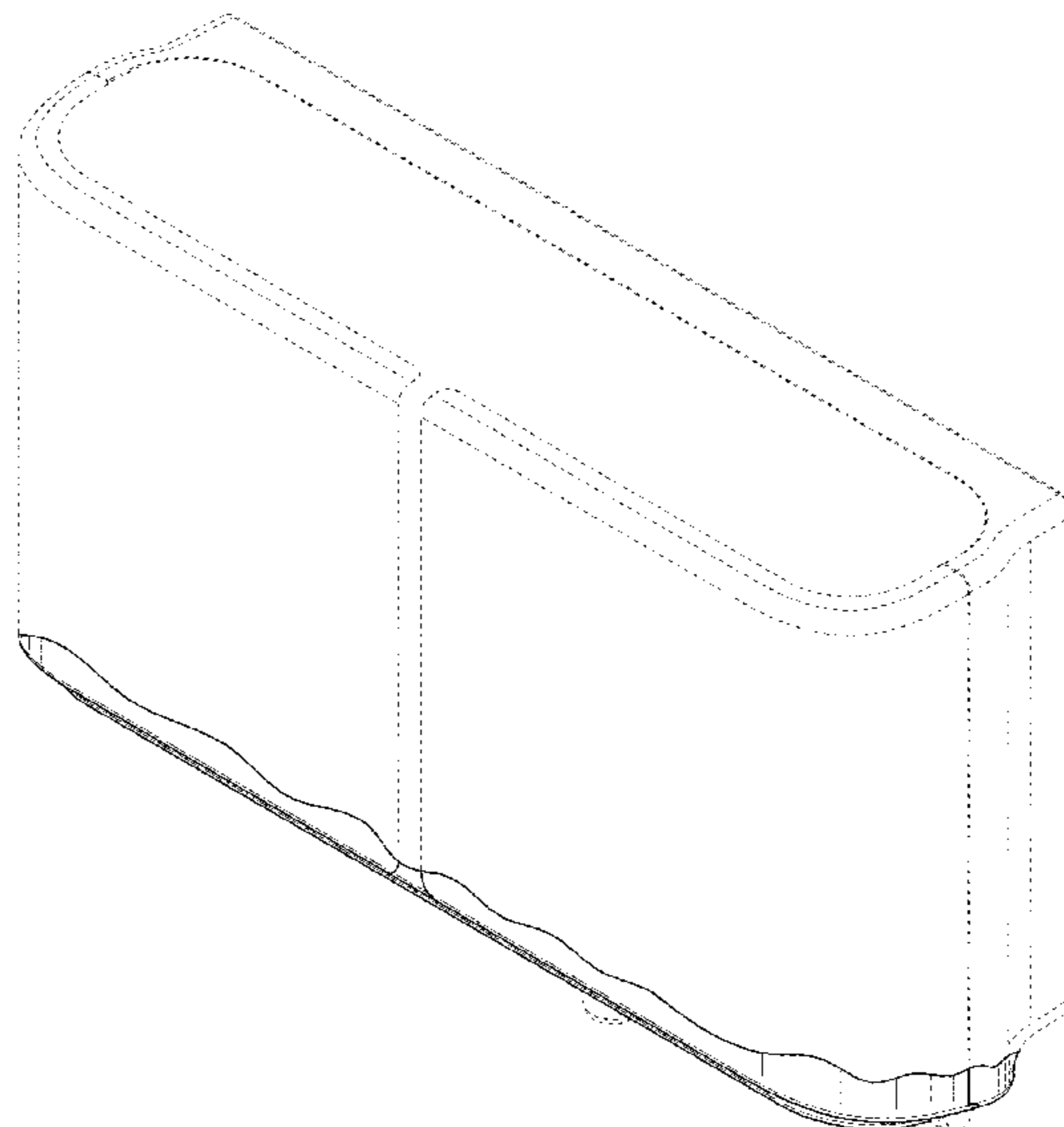
The bold, wavy lines do not constitute a feature of the design and they are included for illustrative purposes only to define the boundary of the claimed design.

(56) **References Cited**

U.S. PATENT DOCUMENTS

2,198,176 A 4/1940 Perrin
3,010,670 A 11/1961 Jones et al.
3,101,181 A 8/1963 Clelland et al.
(Continued)

1 Claim, 6 Drawing Sheets



(58) **Field of Classification Search**
 CPC B65H 49/322; B65H 2402/43; B65H
 2402/443; Y10T 225/393
 See application file for complete search history.

(56) **References Cited**

U.S. PATENT DOCUMENTS

3,184,176 A 5/1965 Tucker
 3,211,504 A 10/1965 Bump
 3,329,366 A 7/1967 Batlas et al.
 3,361,504 A 1/1968 Maslow et al.
 3,437,388 A 4/1969 Jespersen
 3,484,052 A 12/1969 Clarke
 3,586,252 A 6/1971 Sutton
 3,620,466 A 11/1971 Bump
 3,677,485 A 7/1972 Berg
 3,690,580 A 9/1972 Jespersen
 3,770,222 A 11/1973 Jespersen
 3,948,454 A 4/1976 Bastian
 D246,744 S * 12/1977 Cassia D6/522
 4,108,389 A 8/1978 Womack
 4,205,802 A 6/1980 Economakis
 4,389,026 A 6/1983 Willa et al.
 4,410,221 A 10/1983 Vallis et al.
 4,422,584 A 12/1983 Dashnier et al.
 4,422,585 A 12/1983 Schultz et al.
 4,432,261 A 2/1984 DeLuca
 4,607,809 A 8/1986 Sineni et al.
 4,747,365 A 5/1988 Tusch
 4,872,601 A 10/1989 Sigmund
 5,172,840 A 12/1992 Bloch et al.
 5,265,816 A 11/1993 Collins
 D342,407 S * 12/1993 Morand D6/522
 5,271,574 A 12/1993 Formon et al.
 5,288,032 A 2/1994 Boone et al.
 5,310,129 A 5/1994 Whittington et al.
 5,449,127 A 9/1995 Davis
 5,495,997 A 3/1996 Moody
 5,628,474 A 5/1997 Krueger et al.
 5,645,244 A 7/1997 Moody
 5,669,576 A 9/1997 Moody
 5,690,299 A 11/1997 Perrin et al.
 5,762,286 A 6/1998 Schutz
 5,762,287 A 6/1998 Schutz
 5,813,624 A 9/1998 Grasso et al.
 5,833,169 A 11/1998 Morand
 5,868,342 A 2/1999 Moody et al.
 5,873,542 A 2/1999 Perrin et al.
 5,954,256 A 9/1999 Niada
 6,027,002 A 2/2000 Granger
 6,036,134 A 3/2000 Moody
 6,089,499 A 7/2000 Robinson
 6,145,779 A 11/2000 Johnson et al.
 D437,518 S 2/2001 Andersson
 6,202,956 B1 3/2001 Grasso et al.
 D441,578 S 5/2001 Andersson
 D447,372 S 9/2001 Fisscher
 D447,373 S 9/2001 Fisscher
 D447,657 S 9/2001 Fisscher
 D447,897 S 9/2001 Fisscher
 D447,898 S 9/2001 Fisscher
 D448,222 S 9/2001 Fisscher
 6,296,331 B1 10/2001 Tramontina
 D451,728 S 12/2001 Phelps et al.
 6,328,255 B1 12/2001 Moody et al.
 6,364,245 B1 4/2002 Paal et al.
 6,382,553 B1 5/2002 Lewis et al.
 6,386,479 B1 5/2002 Lewis et al.
 6,508,432 B2 1/2003 Krivulin
 D472,398 S 4/2003 Sparkowski
 6,592,068 B2 7/2003 Taylor et al.
 D478,737 S 8/2003 Sparkowski
 6,679,409 B2 1/2004 Petterson
 6,752,349 B2 6/2004 Moody et al.
 6,766,976 B2 7/2004 Sal aker et al.
 D504,041 S 4/2005 Dudley et al.

7,014,140 B2 3/2006 Elliott et al.
 D522,781 S 6/2006 Wieser et al.
 D525,063 S 7/2006 Woods et al.
 7,083,138 B2 8/2006 Elliott et al.
 7,114,676 B2 10/2006 Elliott et al.
 7,185,841 B2 3/2007 Kaufmann
 D547,581 S 7/2007 Cittadino et al.
 D551,474 S 9/2007 Cittadino et al.
 D551,475 S 9/2007 Cittadino et al.
 7,374,128 B2 5/2008 Hendrix et al.
 D572,058 S 7/2008 Cittadino et al.
 7,422,174 B2 9/2008 Elliott et al.
 7,461,810 B2 12/2008 Goeking et al.
 7,588,209 B2 9/2009 Demers
 7,648,097 B2 1/2010 Cattacin et al.
 D615,329 S * 5/2010 Meyerhoffer D6/518
 D619,838 S 7/2010 Kim
 D620,290 S 7/2010 Herrera
 D623,452 S 9/2010 McNeely et al.
 7,841,558 B2 11/2010 Elliott et al.
 D630,941 S * 1/2011 Paredes D9/430
 7,861,964 B2 1/2011 Cittadino et al.
 7,866,593 B2 1/2011 Friesen et al.
 7,878,444 B2 2/2011 Friesen et al.
 D634,953 S 3/2011 Meyerhoffer
 7,913,945 B2 3/2011 Friesen et al.
 7,967,235 B2 6/2011 Forman et al.
 D641,578 S * 7/2011 Meyerhoffer D6/518
 D653,888 S 2/2012 Velazquez et al.
 D654,740 S 2/2012 Cheng et al.
 D656,766 S 4/2012 Velazquez et al.
 D660,013 S 5/2012 Tardif et al.
 D666,035 S 8/2012 Velazquez et al.
 D667,640 S 9/2012 Bosse et al.
 8,256,644 B2 9/2012 Orgna
 D673,778 S 1/2013 Bosse et al.
 D674,633 S 1/2013 Green et al.
 D676,248 S 2/2013 Bosse et al.
 D677,085 S 3/2013 Velazquez et al.
 D681,987 S 5/2013 Cittadino et al.
 8,439,293 B2 5/2013 Hagleitner
 8,511,600 B2 8/2013 Formon et al.
 D688,895 S 9/2013 Sun Ting Kung et al.
 D708,865 S 7/2014 Sun Ting Kung et al.
 D711,663 S 8/2014 Walters
 D727,058 S 4/2015 Morand
 D727,652 S 4/2015 Sun Ting Kung et al.
 D740,587 S 10/2015 Sun Ting Kung et al.
 9,192,268 B2 11/2015 Denis et al.
 9,241,601 B2 1/2016 Case et al.
 D754,453 S 4/2016 Mrvica
 D756,683 S 5/2016 Morand
 9,326,648 B2 5/2016 Trampolski
 9,370,283 B2 6/2016 Fellhoelter
 D761,585 S 7/2016 Roche et al.
 D766,612 S 9/2016 Roche et al.
 D767,297 S 9/2016 Madsen et al.
 D773,834 S 12/2016 Croteau et al.
 D775,849 S 1/2017 Brickl
 D781,067 S 3/2017 Cross et al.
 D782,830 S 4/2017 Enderby
 D782,842 S 4/2017 Morand et al.
 9,648,995 B2 5/2017 Elliott et al.
 D790,227 S 6/2017 Tambellini
 D791,498 S 7/2017 Brickl
 D793,117 S 8/2017 Hagleitner
 D794,341 S 8/2017 Enderby
 D796,223 S 9/2017 Madsen
 D796,866 S * 9/2017 Johnson D6/515
 D796,867 S 9/2017 Johnson
 D796,868 S 9/2017 Johnson
 D798,629 S 10/2017 Sinclair et al.
 D799,235 S 10/2017 Madsen
 D799,236 S 10/2017 Madsen
 D799,692 S 10/2017 Buning-Weddewer
 D888,458 S * 6/2020 Orban D6/518
 D899,132 S * 10/2020 L evell  D6/545
 D899,807 S * 10/2020 L evell  D6/520
 D917,917 S * 5/2021 L evell  D6/520

(56)

References Cited

U.S. PATENT DOCUMENTS

D927,217 S * 8/2021 Holzmann D6/522
 D930,386 S * 9/2021 Léveillé D6/520
 D936,998 S * 11/2021 Stang D6/522
 D937,604 S * 12/2021 Léveillé D6/523
 D938,752 S * 12/2021 Léveillé D6/522
 D944,557 S * 3/2022 Léveillé D6/523
 D948,127 S * 4/2022 Holzmann D28/54.1
 D949,592 S * 4/2022 Léveillé D6/522
 D949,593 S * 4/2022 Léveillé D6/522
 2002/0033405 A1 3/2002 Gergek
 2002/0096595 A1 7/2002 Denton
 2002/0130215 A1 9/2002 Krivulin
 2004/0004151 A1 1/2004 Kapiloff et al.
 2004/0004153 A1 1/2004 Kapiloff et al.
 2004/0089762 A1 5/2004 Salaker et al.
 2005/0167543 A1 8/2005 Elliott et al.
 2006/0038054 A1 2/2006 Tramontina et al.
 2006/0279020 A1 12/2006 Elliott et al.
 2007/0205317 A1 9/2007 Miller
 2007/0290092 A1 12/2007 Won
 2008/0156926 A1 7/2008 Cattacin et al.
 2008/0245922 A1 10/2008 Fellhoelter
 2009/0065627 A1 3/2009 Goeking et al.
 2009/0072072 A1 3/2009 Elliott et al.
 2009/0266928 A1 10/2009 Friesen et al.
 2009/0266929 A1 10/2009 Friesen et al.
 2009/0266930 A1 10/2009 Friesen et al.
 2010/0206979 A1 8/2010 Collins
 2010/0243660 A1 9/2010 Manasas
 2011/0215187 A1 9/2011 Owurowa
 2012/0256036 A1 10/2012 Osborne
 2013/0075416 A1 3/2013 Boyce
 2013/0270978 A1 10/2013 Black
 2014/0076916 A1 3/2014 Boyce
 2014/0103133 A1 4/2014 Muderlak et al.
 2015/0076277 A1 3/2015 Elliott et al.
 2015/0157177 A1 6/2015 Carper et al.
 2016/0227969 A1 8/2016 Morris
 2016/0256018 A1 9/2016 Viessman et al.
 2017/0112336 A1 4/2017 Ruthven et al.
 2017/0188760 A1 7/2017 Henson et al.
 2017/0215659 A1 8/2017 Jefferson
 2017/0251890 A1 9/2017 Groover
 2017/0290471 A1 10/2017 Borke et al.
 2017/0290472 A1 10/2017 Borke et al.
 2017/0290473 A1 10/2017 Borke et al.
 2022/0081243 A1 * 3/2022 Paré B65H 16/021

FOREIGN PATENT DOCUMENTS

CA 2192057 A1 6/1998
 CA 2239526 A1 6/1999
 CA 2171066 C 8/1999
 CA 2300036 A1 9/2000
 CA 2190806 C 10/2000
 CA 2383206 A1 3/2001
 CA 2326872 A1 6/2001
 CA 2340853 A1 9/2001
 CA 2305110 A1 10/2001
 CA 2199092 C 11/2001

CA 2359128 A1 4/2003
 CA 2381648 A1 4/2003
 CA 2414887 A1 6/2003
 CA 2465343 A1 6/2003
 CA 2430462 A1 1/2004
 CA 2217841 C 6/2005
 CA 2494802 A1 7/2005
 CA 2495163 A1 7/2005
 CA 2526662 A1 5/2006
 CA 2622388 A1 3/2007
 CA 2577225 A1 9/2007
 CA 2615407 A1 6/2008
 CA 2756903 A1 12/2011
 CA 2929466 A1 5/2015
 CA 2978227 A1 10/2016
 EM 008782031 * 7/2022
 GB 6115228 * 1/2021
 WO WO-1993004965 A1 3/1993
 WO WO-1997013440 A1 4/1997
 WO WO-1998011811 A1 3/1998
 WO WO-2002024044 A2 3/2002
 WO WO-2002053004 A1 7/2002
 WO WO-2002074148 A1 9/2002
 WO WO-2003047410 A1 6/2003
 WO WO-2006050748 A1 5/2006
 WO WO-2007035139 A1 3/2007
 WO WO-2008042963 A2 4/2008
 WO WO-2009135235 A2 11/2009
 WO WO-2011154625 A1 12/2011
 WO WO-2014058362 A1 4/2014
 WO WO-2014098672 A1 6/2014
 WO WO-2014200624 A1 12/2014
 WO WO-2015066644 A2 5/2015
 WO WO-2016166157 A1 10/2016
 WO WO-2017084689 A1 5/2017
 WO WO-2017105464 A1 6/2017
 WO WO-2017178605 A1 10/2017
 WO WO-2017180476 A1 10/2017

OTHER PUBLICATIONS

Aifusi Paper Towel Dispensers, Commercial Toilet Tissue Dispensers Wall Mount Paper Towel Holder C-Fold/Multifold Paper Towel Dispenser for Bathroom, Kitchen(Black) <https://a.co/d/2MSLqVQ>, May 13, 2019 (Year: 2019).*

Interhasa! Paper Towel Dispenser Wall Mount, Adhesive No Drilling or Screws Install Multifold/Trifold/c Fold Commercial Paper Towel Dispenser for Bathroom (Silver-IT6012) <https://a.co/d/2YIGozW>, Feb. 22, 2022 (Year: 2022).*

Interhasa! Wall Mounted Paper Towel Dispenser Waterproof, Commercial Paper Towel Holder for Office Bathroom Kitchen, 10.6"×11.1"×5.1",White <https://amzn.asia/d/9Ovuz4F>, Jul. 12, 2019 (Year: 2019).*

PLUSSEN Paper Towel Dispenser Wall Mount, Adhesive No Drilling or Screws Installation Multifold Tri-fold Commercial Hand Towel Dispenser,Silver-PN6007 <https://a.co/d/1AohR8d>, Oct. 24, 2020 (Year: 2020).*

Office action (restriction requirement) dated Nov. 1, 2019 in Design U.S. Appl. No. 29/647,736.

* cited by examiner

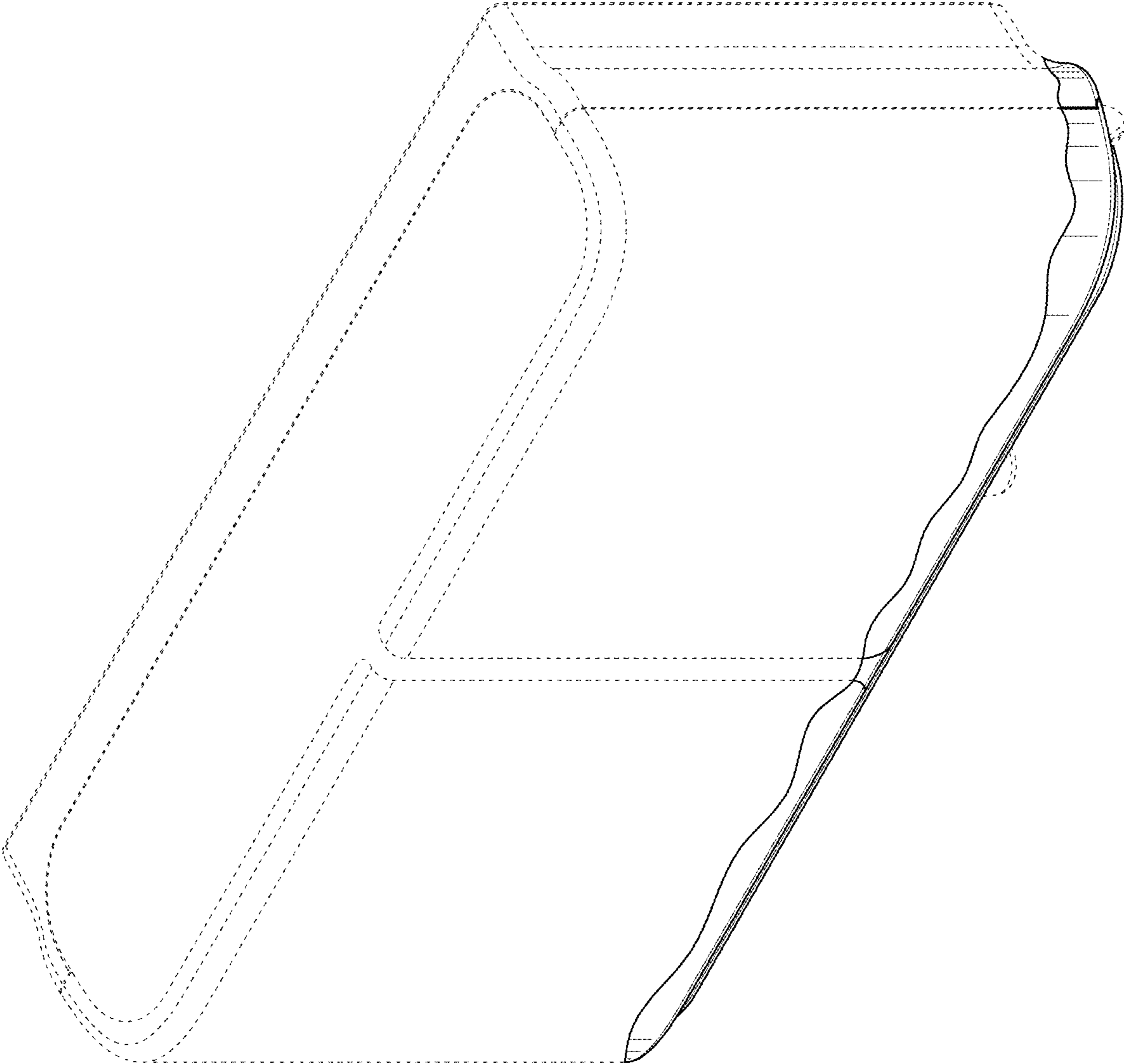


FIG. 1

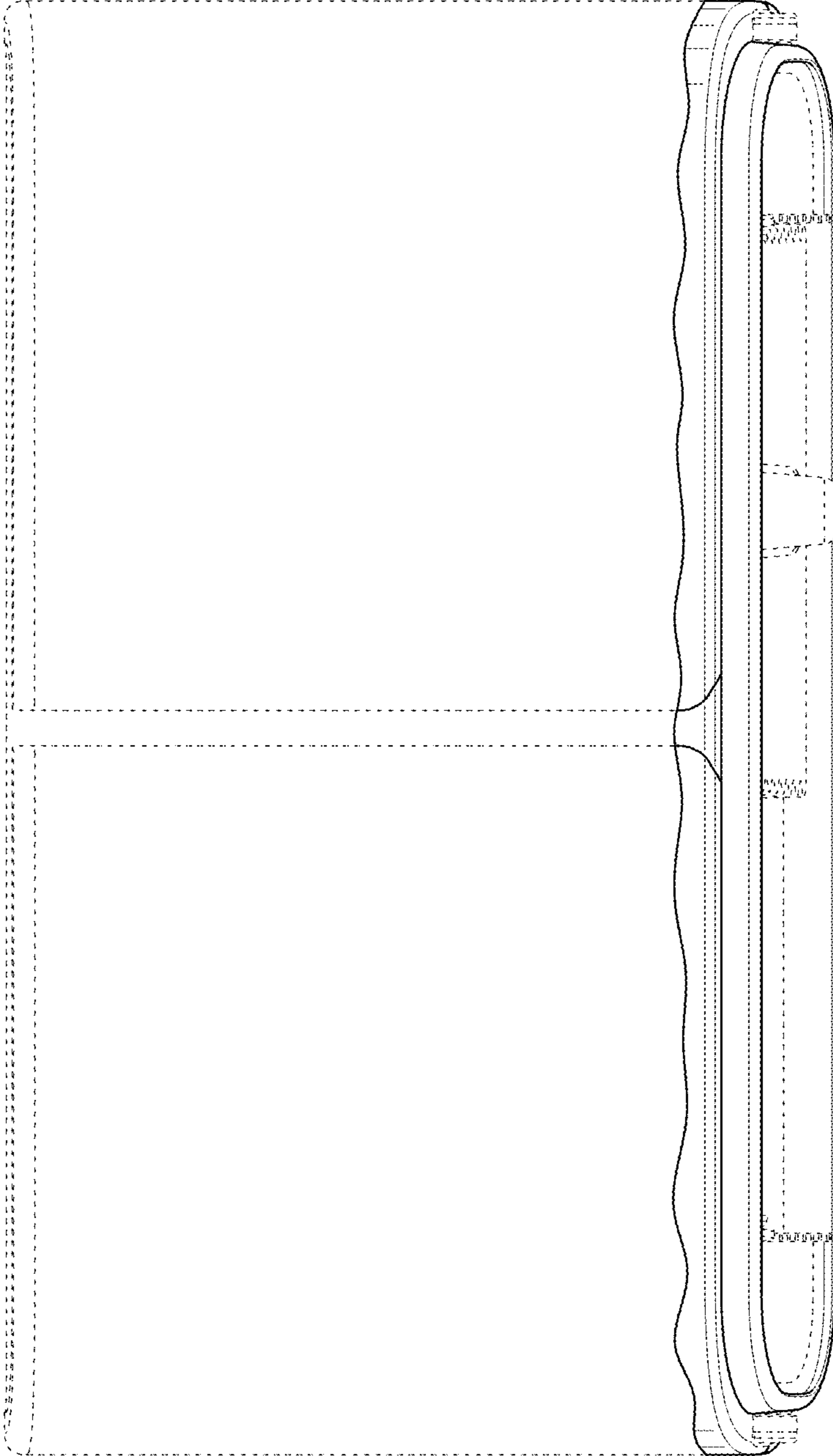


FIG. 2

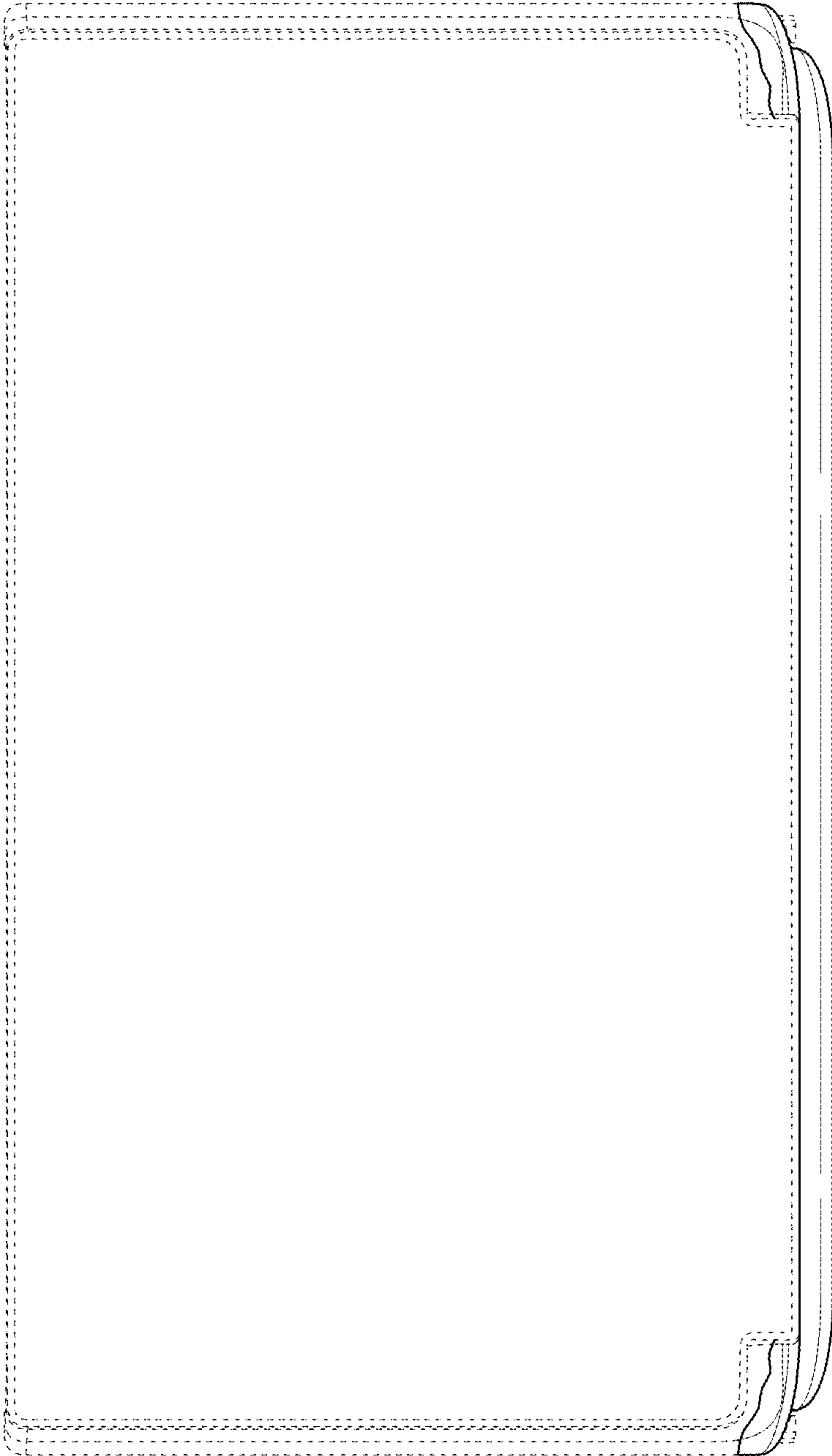


FIG. 3

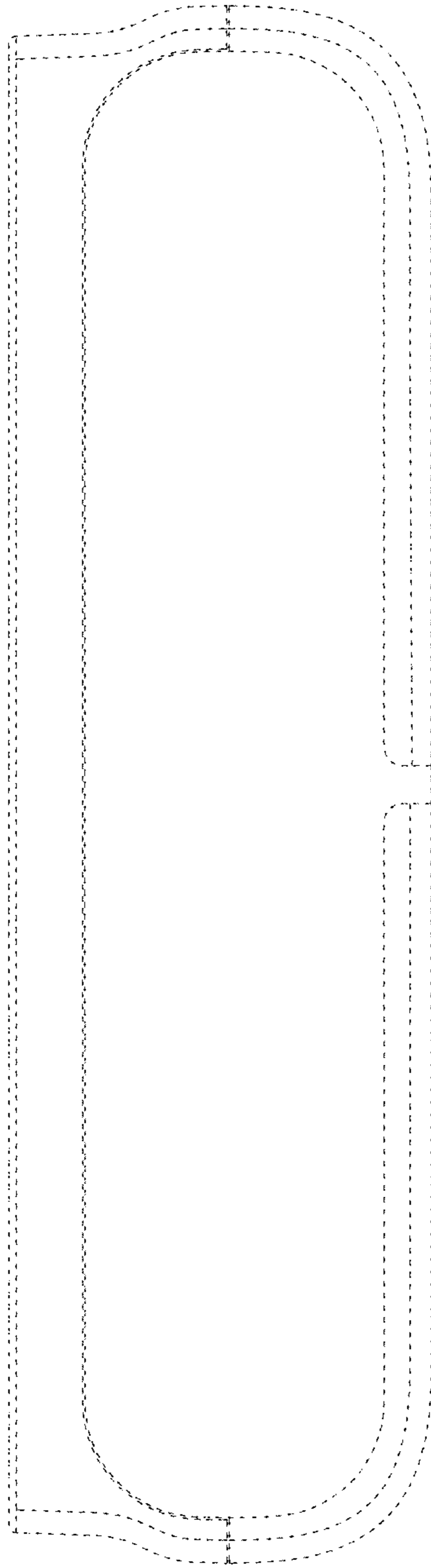


FIG. 4

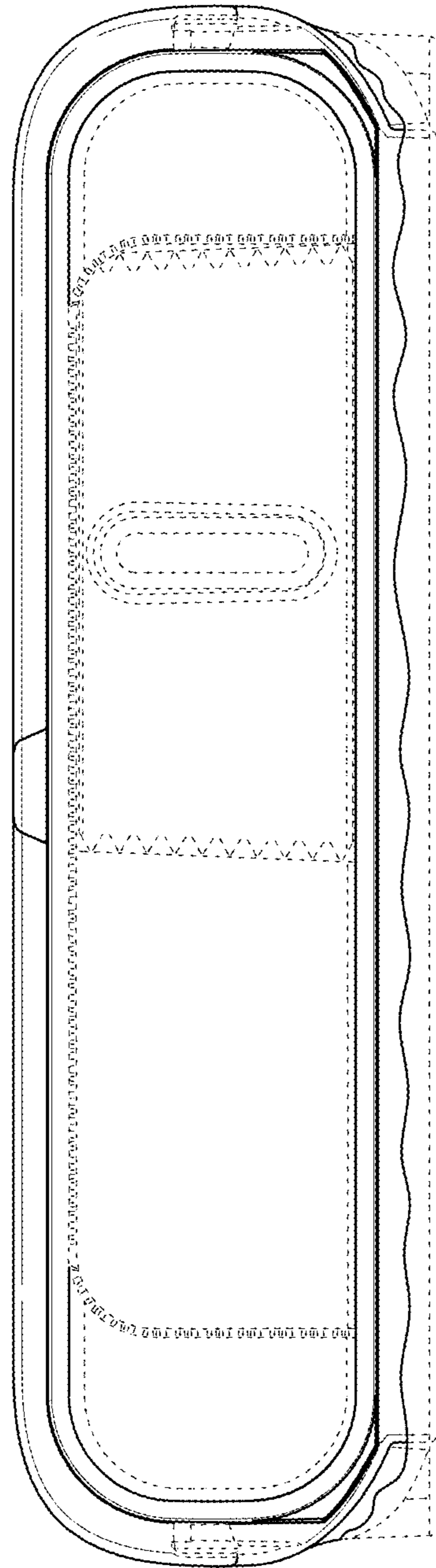


FIG. 5

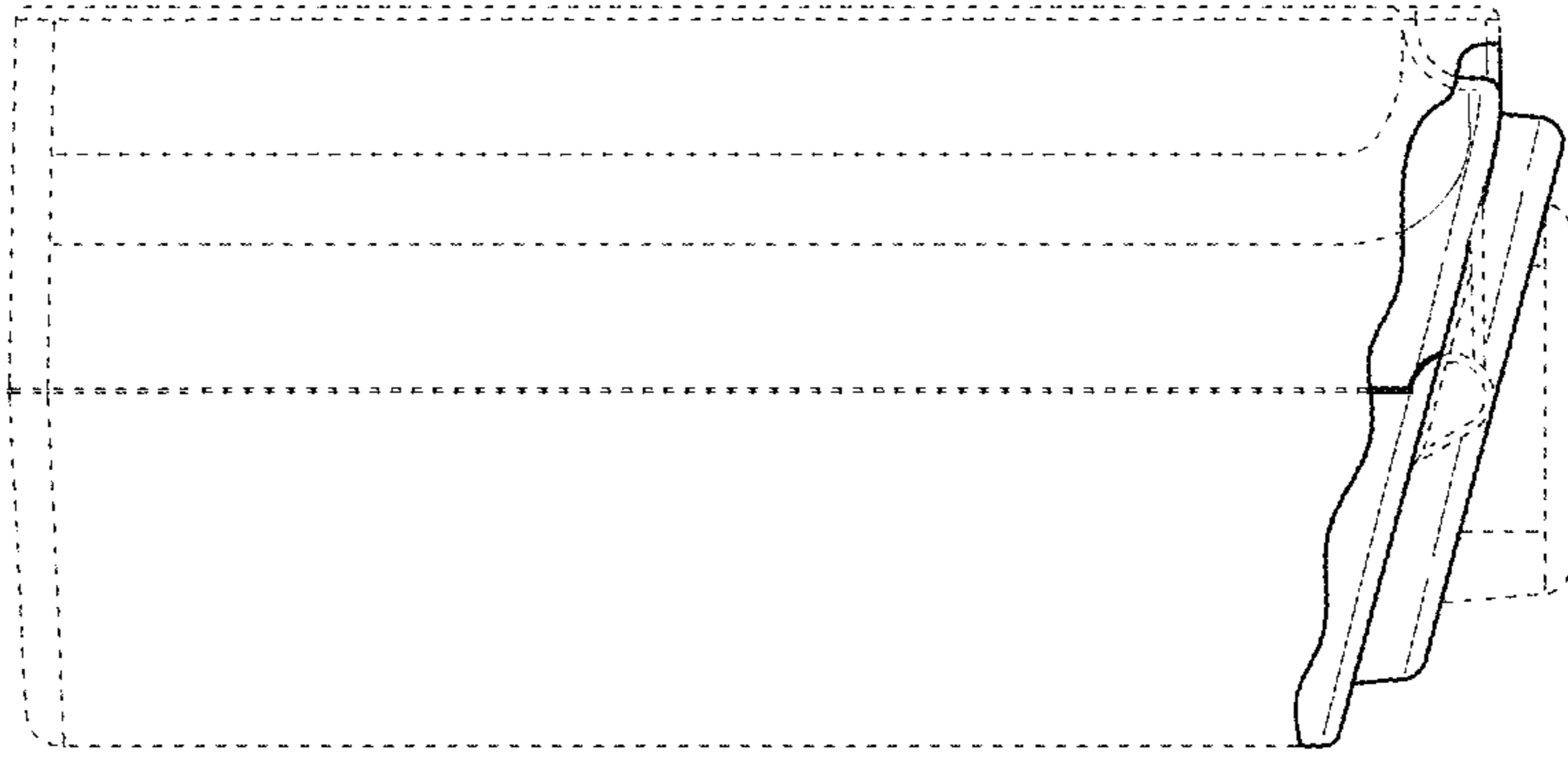


FIG. 6

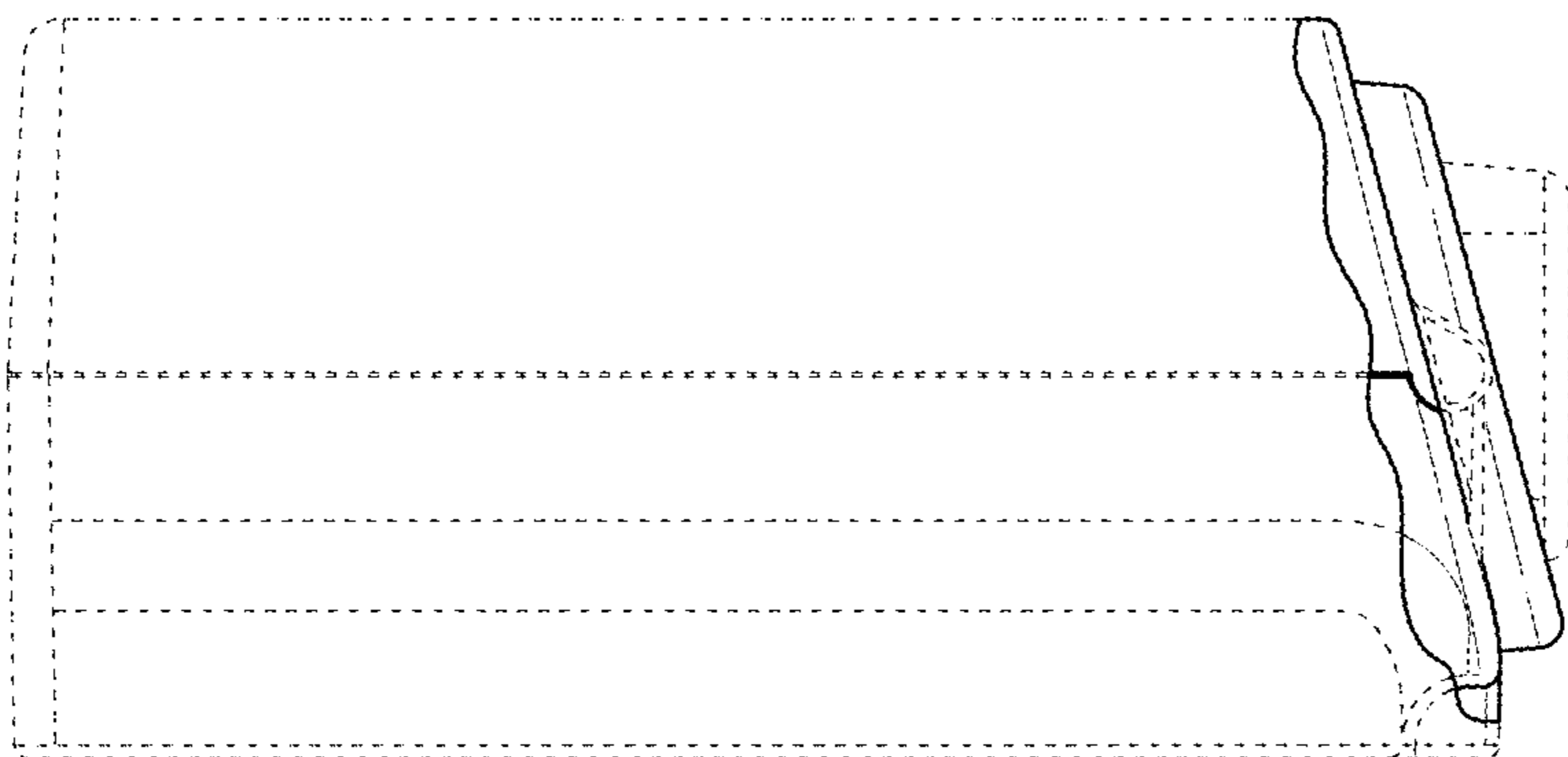


FIG. 7

UNITED STATES PATENT AND TRADEMARK OFFICE
CERTIFICATE OF CORRECTION

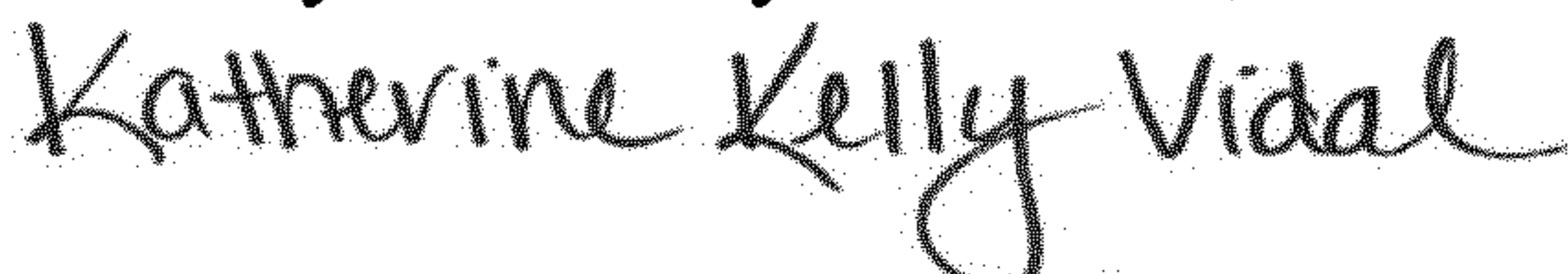
PATENT NO. : D989,509 S
APPLICATION NO. : 29/774906
DATED : June 20, 2023
INVENTOR(S) : Manuel Léveillé et al.

Page 1 of 1

It is certified that error appears in the above-identified patent and that said Letters Patent is hereby corrected as shown below:

On the Title Page

Below "Item (62)" insert -- (30) Foreign Application Priority Data
Feb. 23, 2018 (CA) 179935 --.

Signed and Sealed this
Twenty-sixth Day of March, 2024

Katherine Kelly Vidal
Director of the United States Patent and Trademark Office