



US00D989507S

(12) **United States Design Patent** (10) **Patent No.:** **US D989,507 S**
Olsen et al. (45) **Date of Patent:** **** Jun. 20, 2023**

(54) **DISPENSER**
(71) Applicant: **Vaask LLC**, Austin, TX (US)
(72) Inventors: **Jonathan W. W. Olsen**, Austin, TX (US); **Grace V. Tesmer**, Dublin, OH (US); **Joseph Pisauro**, Columbus, OH (US); **Shawn M. Whetstone**, New Albany, OH (US)
(73) Assignee: **Vaask LLC**, Austin, TX (US)
(**) Term: **15 Years**
(21) Appl. No.: **29/856,384**
(22) Filed: **Oct. 13, 2022**

D336,609 S * 6/1993 Baier D20/1
5,906,299 A 5/1999 Hagleitner
8,087,543 B2 1/2012 Yang et al.
8,292,128 B2 10/2012 Hagleitner
9,532,683 B2 1/2017 Hagleitner
D805,608 S * 12/2017 Streng D23/240
D820,404 S * 6/2018 Wieser D23/239
D820,406 S * 6/2018 Wieser D23/239
D847,305 S * 4/2019 Wieser D28/54.1
D847,952 S * 5/2019 Wieser D28/54.1
D857,845 S * 8/2019 Wieser D28/54.1
D865,911 S * 11/2019 Wieser D23/239
D865,912 S * 11/2019 Wieser D23/239
10,736,824 B2 8/2020 Matthews et al.
D970,919 S 11/2022 Olsen et al.
D972,863 S 12/2022 Olsen et al.

(Continued)

Primary Examiner — Nathan M Johnston
(74) *Attorney, Agent, or Firm* — Frost Brown Todd LLP

Related U.S. Application Data

(62) Division of application No. 29/808,191, filed on Sep. 17, 2021, now Pat. No. Des. 970,919.
(51) **LOC (14) Cl.** **23-02**
(52) **U.S. Cl.**
USPC **D6/545**
(58) **Field of Classification Search**
USPC D6/515, 522, 542, 512, 518, 520, 524, D6/543, 544, 545; 206/233, 389, 401, 206/77.1, 581, 225, 229; 211/45, 48, 211/88.04, 119.009, 85.12; 221/26, 208, 221/282, 283
CPC A61L 2/16; A61L 2202/14; A61L 2202/15
See application file for complete search history.

(57) **CLAIM**

The ornamental design for a dispenser, as shown and described.

DESCRIPTION

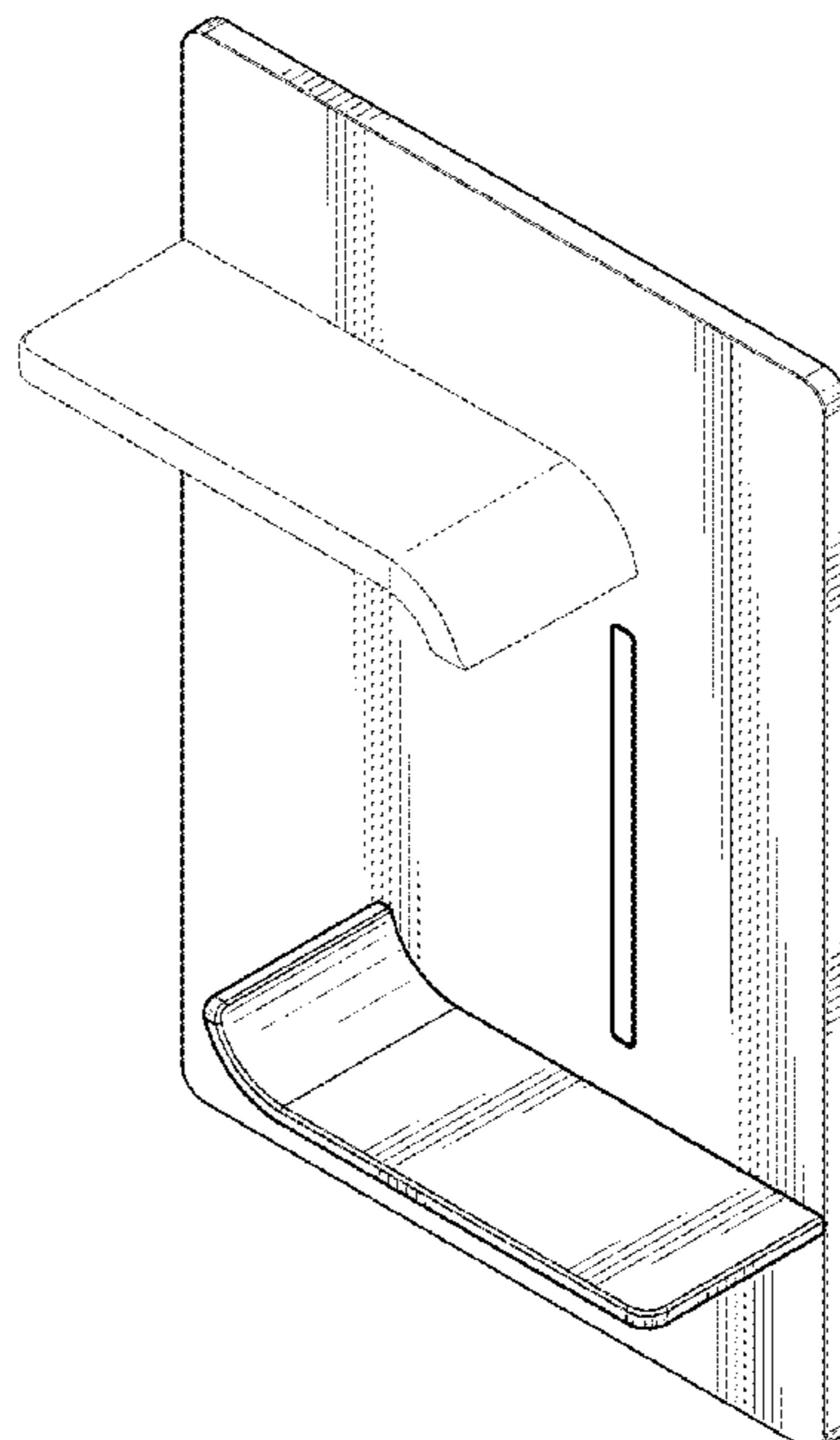
FIG. 1 is a front right perspective view of a dispenser, showing our new design;
FIG. 2 is a front left perspective view of the dispenser of FIG. 1;
FIG. 3 is a front elevational view of the dispenser of FIG. 1;
FIG. 4 is a rear elevational view of the dispenser of FIG. 1;
FIG. 5 is a right elevational view of the dispenser of FIG. 1;
FIG. 6 is a left elevational view of the dispenser of FIG. 1;
FIG. 7 is a top plan view of the dispenser of FIG. 1; and
FIG. 8 is a bottom plan view of the dispenser of FIG. 1.
The broken lines shown in the drawings represent features of the dispenser that form no part of the claimed design.

(56) **References Cited**

U.S. PATENT DOCUMENTS

271,177 A * 1/1883 White B65D 33/001 312/50
D298,396 S * 11/1988 Gallego D6/513

1 Claim, 6 Drawing Sheets



(56)

References Cited

U.S. PATENT DOCUMENTS

2005/0139612 A1 6/2005 Matthews et al.
2015/0231293 A1* 8/2015 Zaghi F04C 14/06
422/28

* cited by examiner

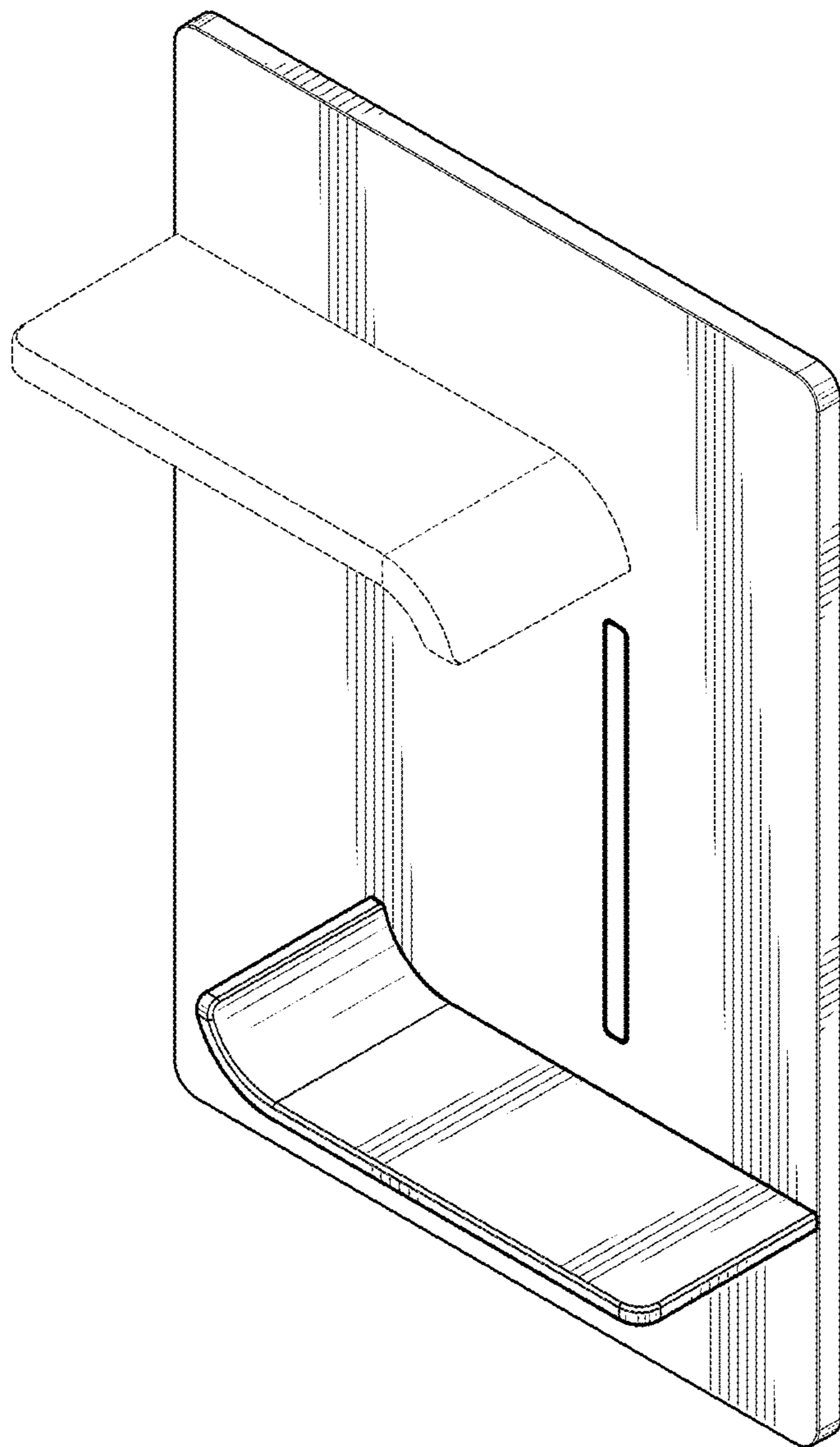


FIG. 1

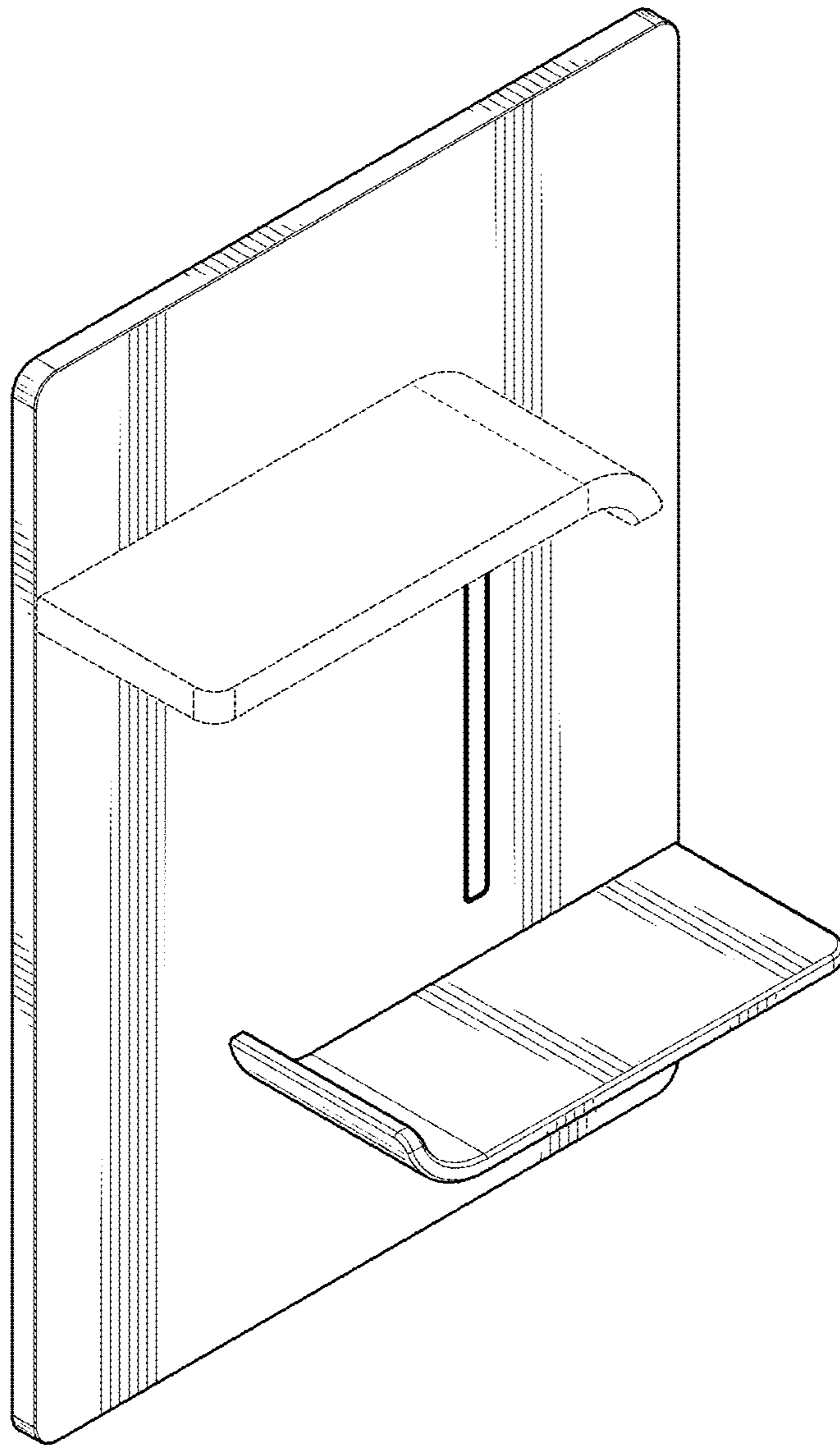


FIG. 2

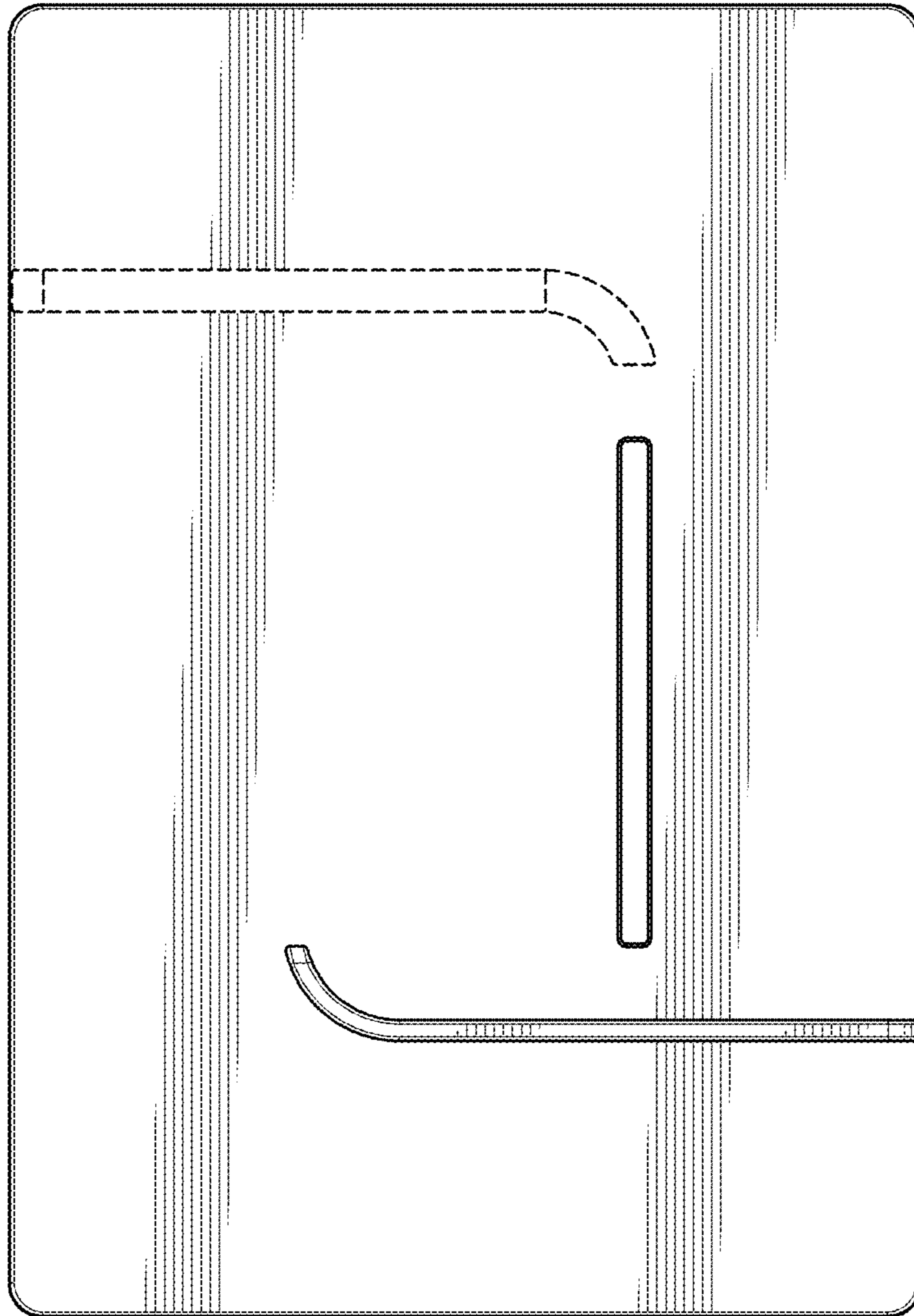


FIG. 3

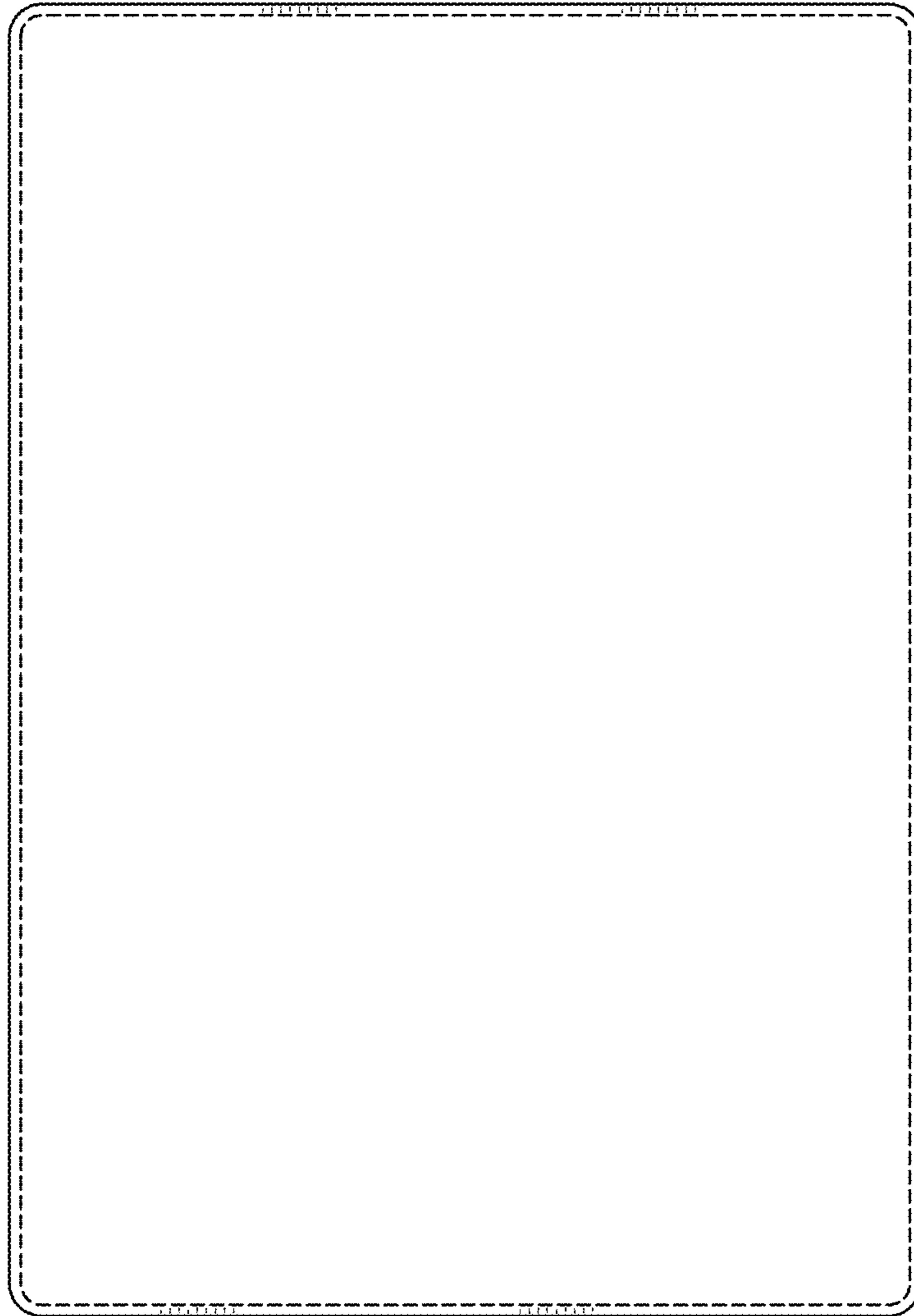


FIG. 4

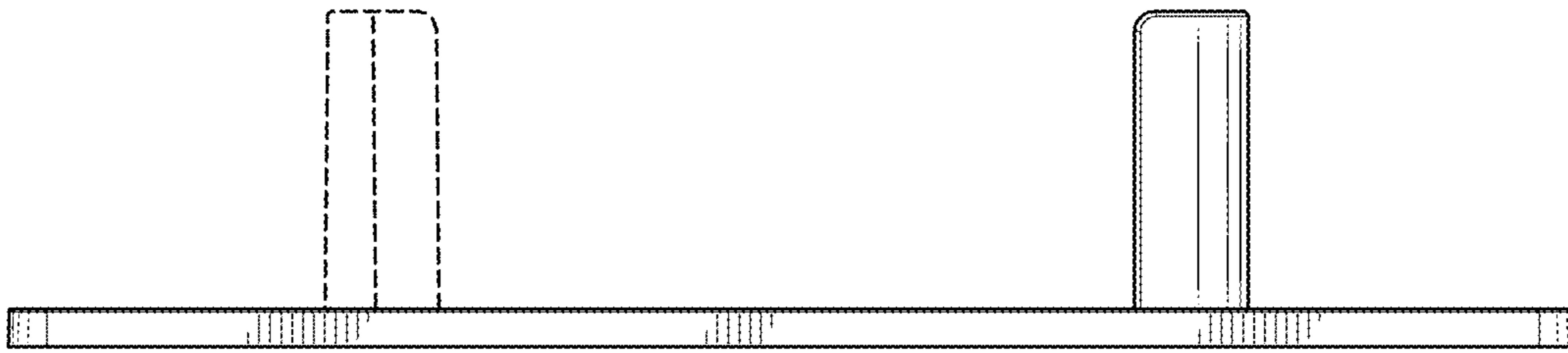


FIG. 6

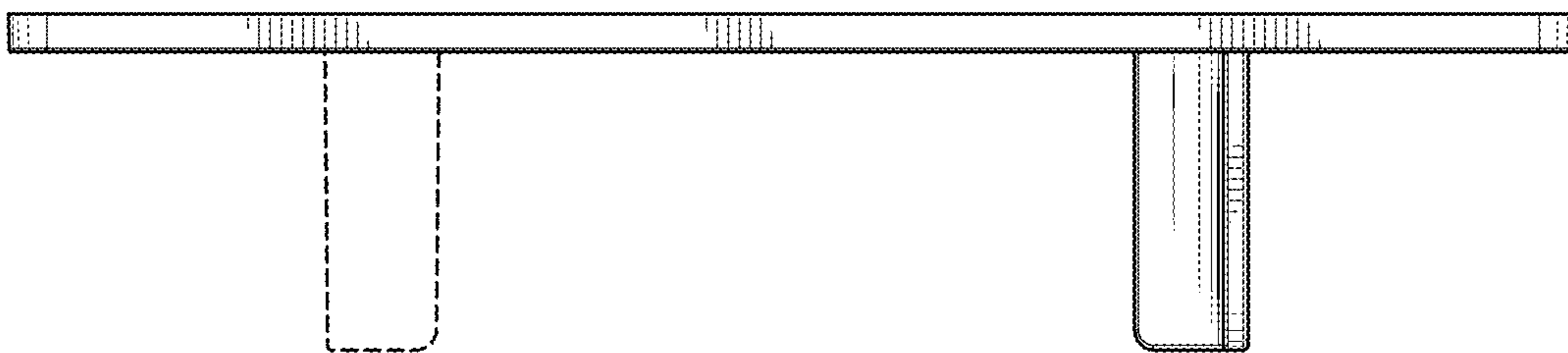


FIG. 5

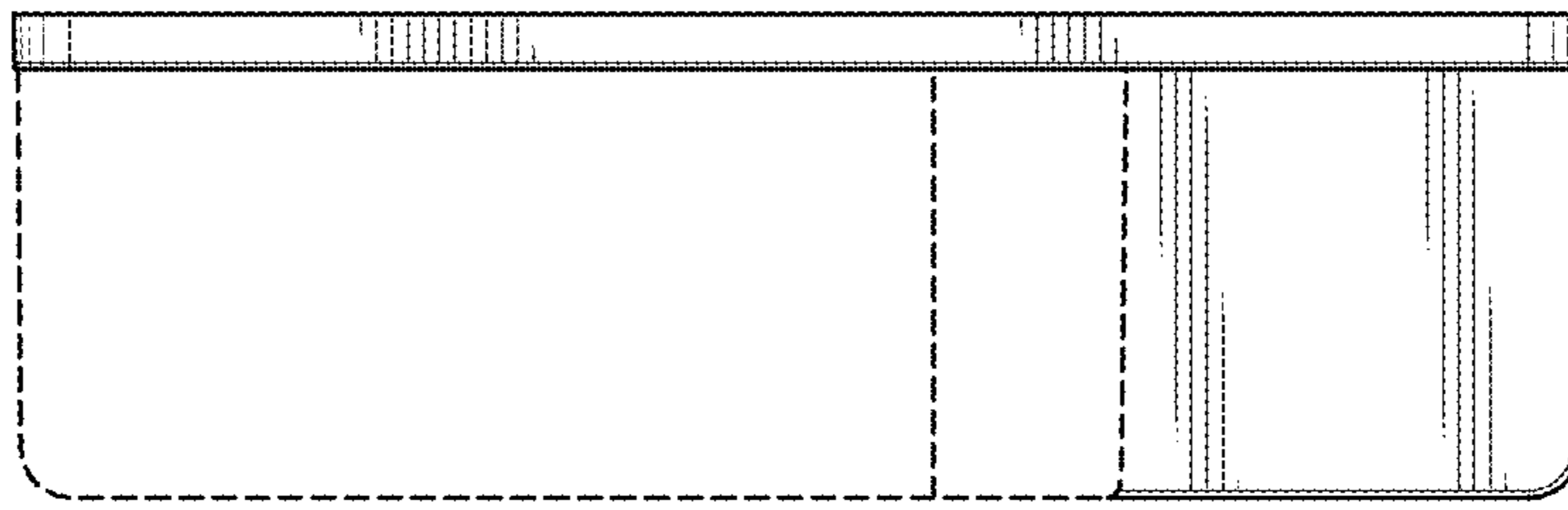


FIG. 7

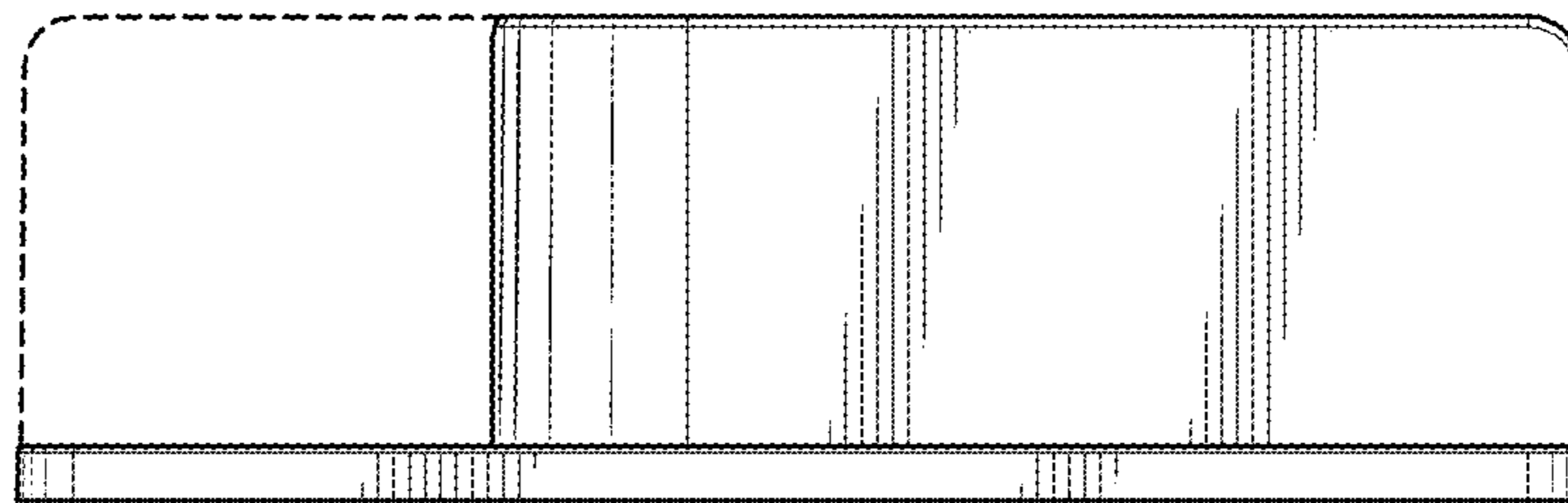


FIG. 8