



US00D989506S

(12) **United States Design Patent** (10) **Patent No.:** **US D989,506 S**  
**Yi** (45) **Date of Patent:** **\*\* Jun. 20, 2023**

(54) **CARRY COT**

A47D 13/025; A47D 13/06; A47D  
13/066; A47D 13/068; B60N 2/28

(71) Applicant: **Wonderland Switzerland AG,**  
Steinhausen (CH)

See application file for complete search history.

(72) Inventor: **Xiaolong Yi,** Guangdong (CN)

(56) **References Cited**

(73) Assignee: **Wonderland Switzerland AG,**  
Steinhausen (CH)

U.S. PATENT DOCUMENTS

(\*\*) Term: **15 Years**

D681,966 S \* 5/2013 Slotteroy ..... D6/333  
D927,882 S \* 8/2021 Hu ..... D6/390  
D955,774 S \* 6/2022 Bowers ..... D6/389  
D965,994 S \* 10/2022 Li ..... D6/333

(21) Appl. No.: **29/816,337**

\* cited by examiner

(22) Filed: **Nov. 21, 2021**

*Primary Examiner* — Abraham Bahta

(30) **Foreign Application Priority Data**

(74) *Attorney, Agent, or Firm* — Winston Hsu

May 26, 2021 (CN) ..... 202130317925.X

(51) **LOC (14) Cl.** ..... **06-02**

(52) **U.S. Cl.**  
USPC ..... **D6/390**

(57) **CLAIM**

The ornamental design for a carry cot, as shown and described.

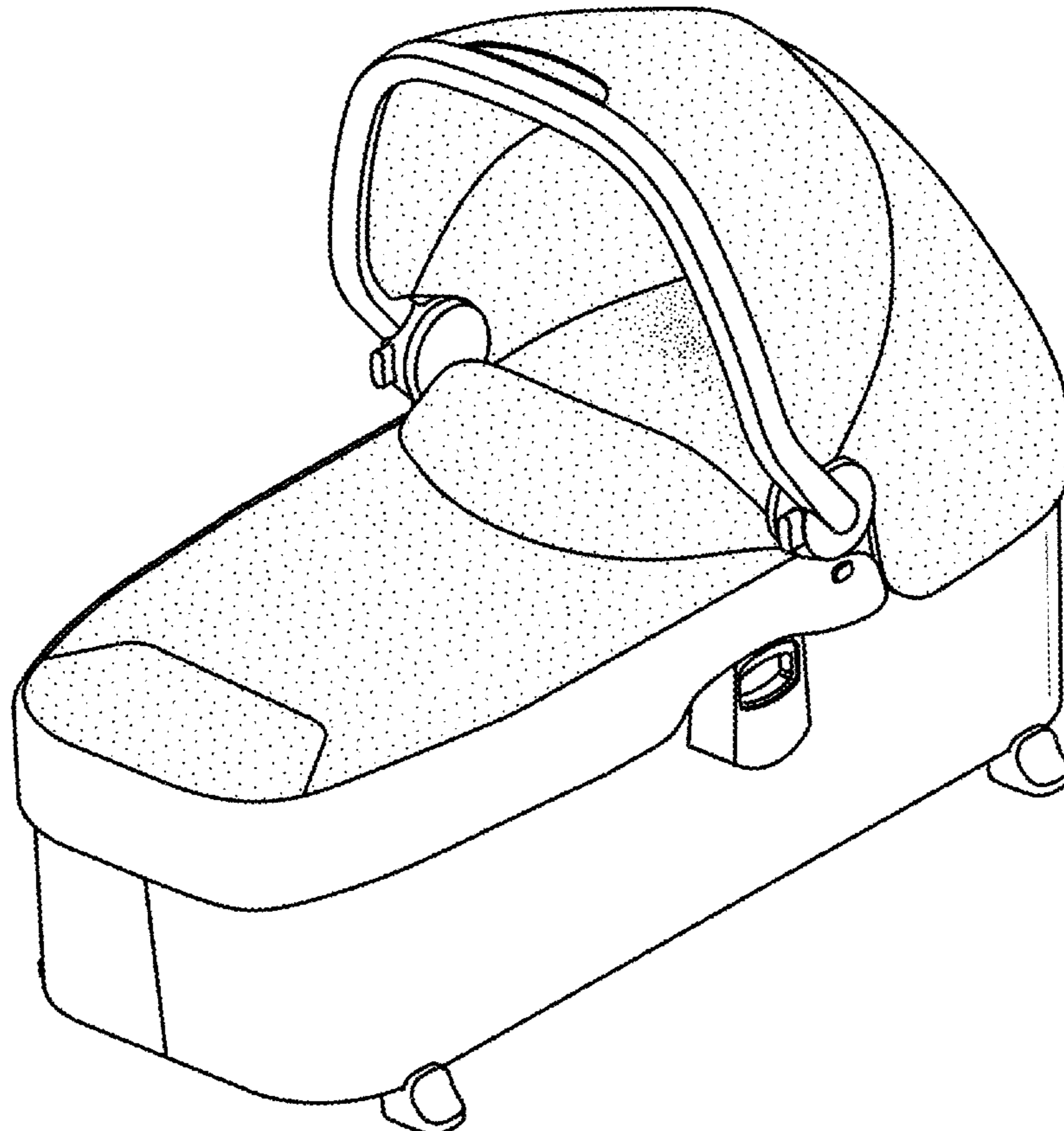
(58) **Field of Classification Search**

USPC ..... D6/333-335, 339, 391, 389, 390, 388,  
D6/718.26, 356; D12/401-403;  
D21/419, 834; D34/27; D2/718-719  
CPC ..... A47D 9/00; A47D 9/005; A47D 5/006;  
A47D 7/62; A47D 7/66; A47D 7/00;  
A47D 7/002; A47D 7/005; A47D 7/01;  
A47D 15/00; A47D 13/00; A47D 13/02;

**DESCRIPTION**

FIG. 1 is a top, front, and right side perspective view of a carry cot showing my new design;  
FIG. 2 is a front elevation view thereof;  
FIG. 3 is a rear elevation view thereof;  
FIG. 4 is a left side elevation view thereof;  
FIG. 5 is a right side elevation view thereof; and,  
FIG. 6 is a top plan view thereof.

**1 Claim, 6 Drawing Sheets**



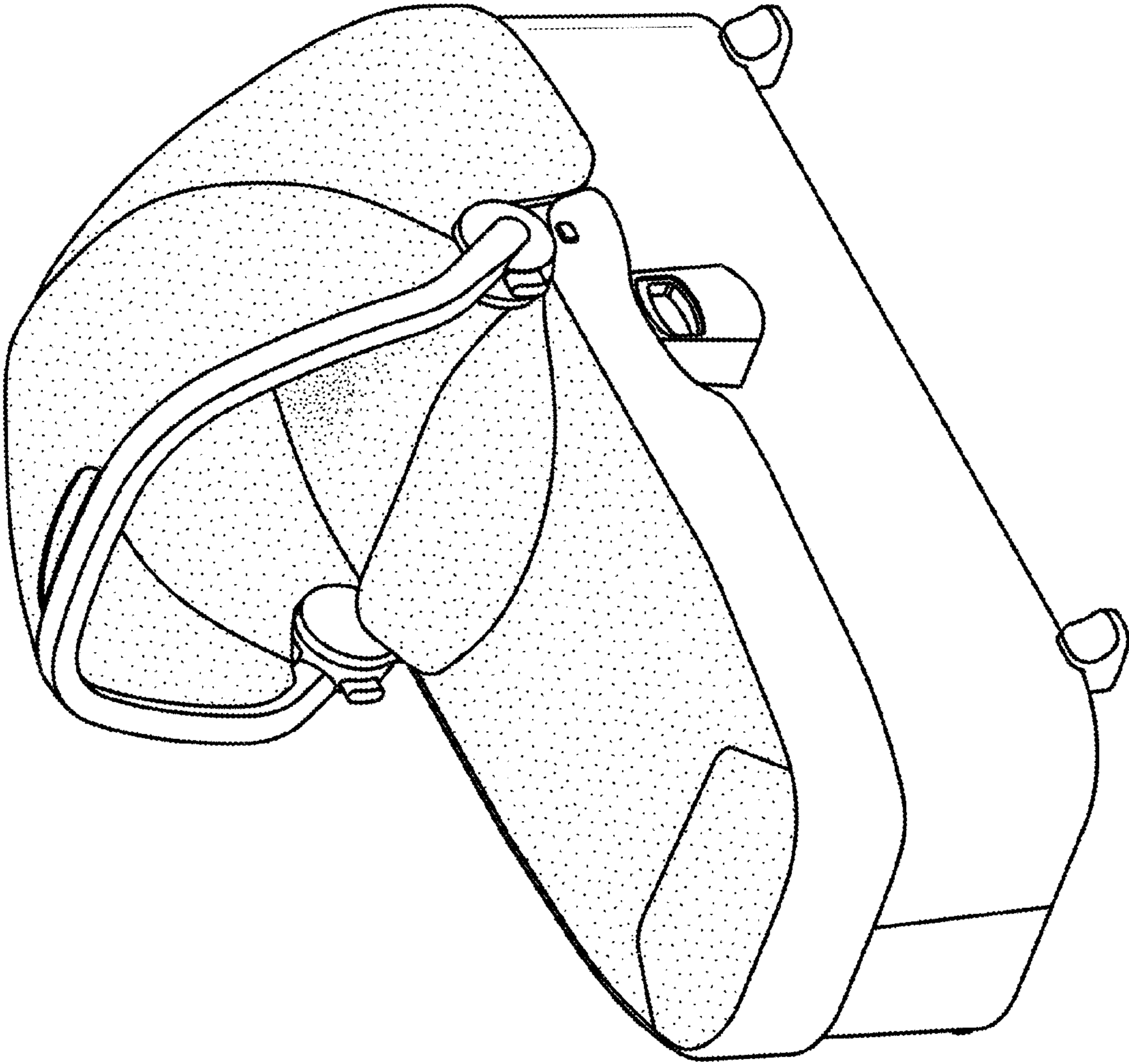


FIG. 1

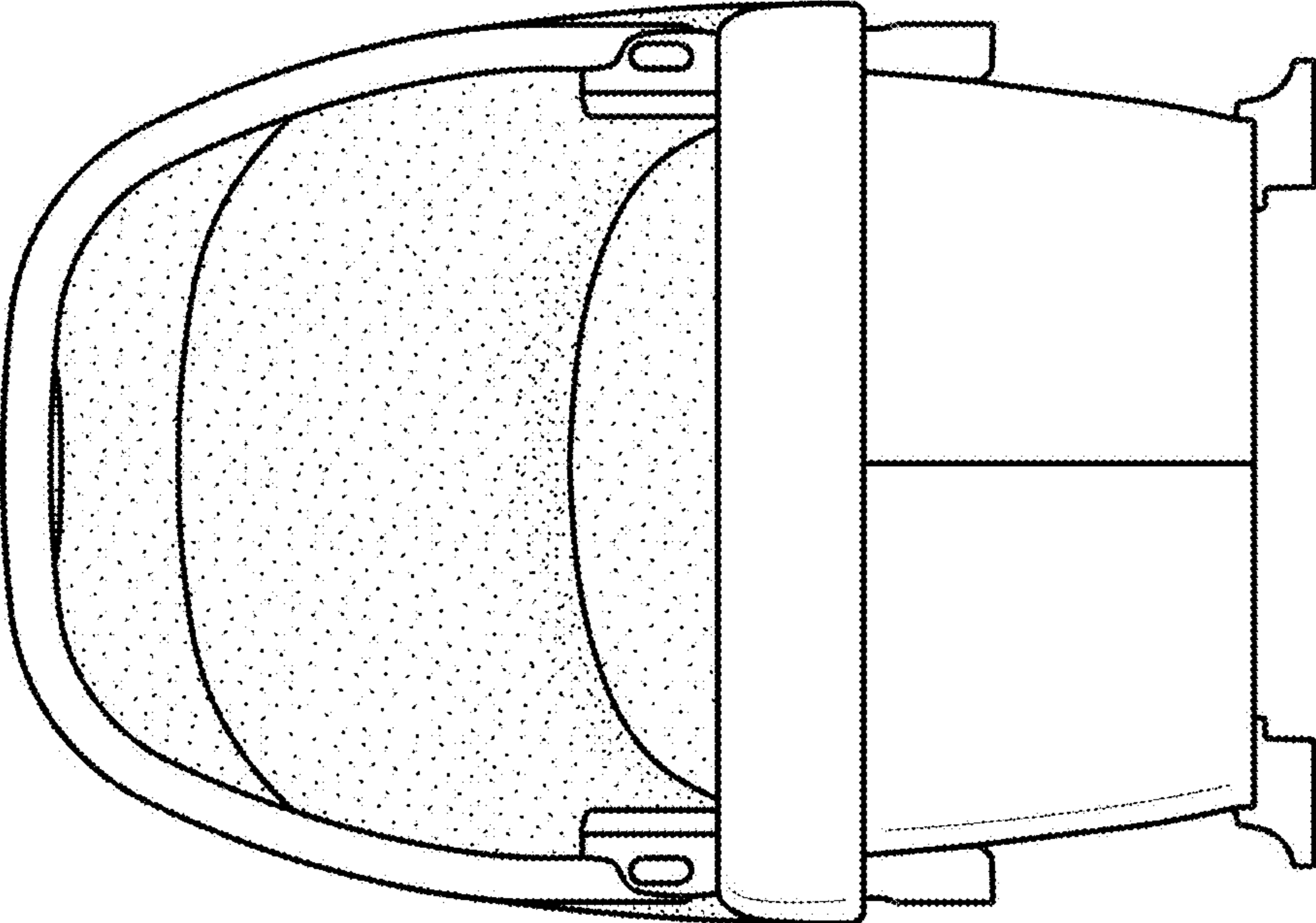


FIG. 2

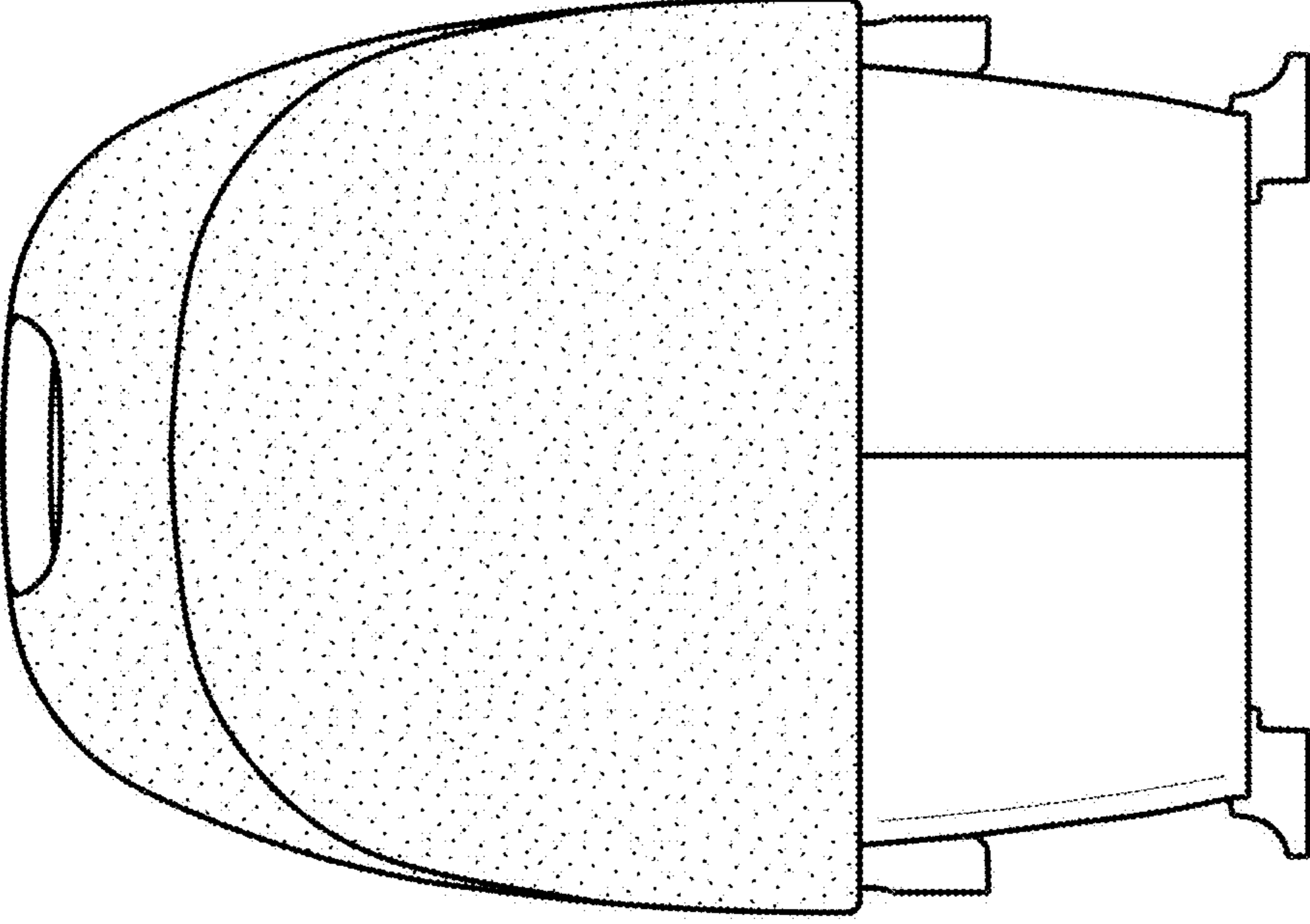


FIG. 3

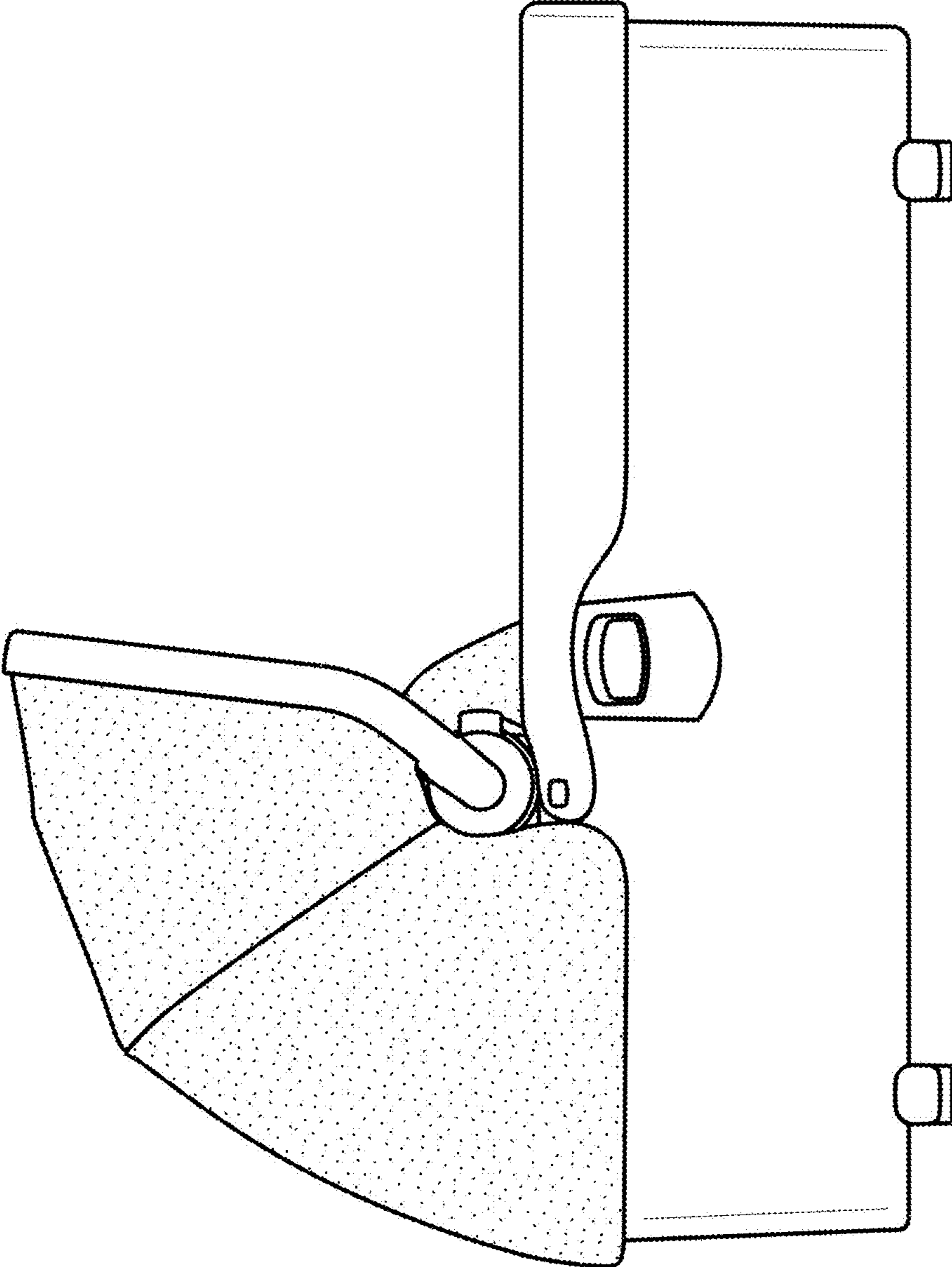


FIG. 4

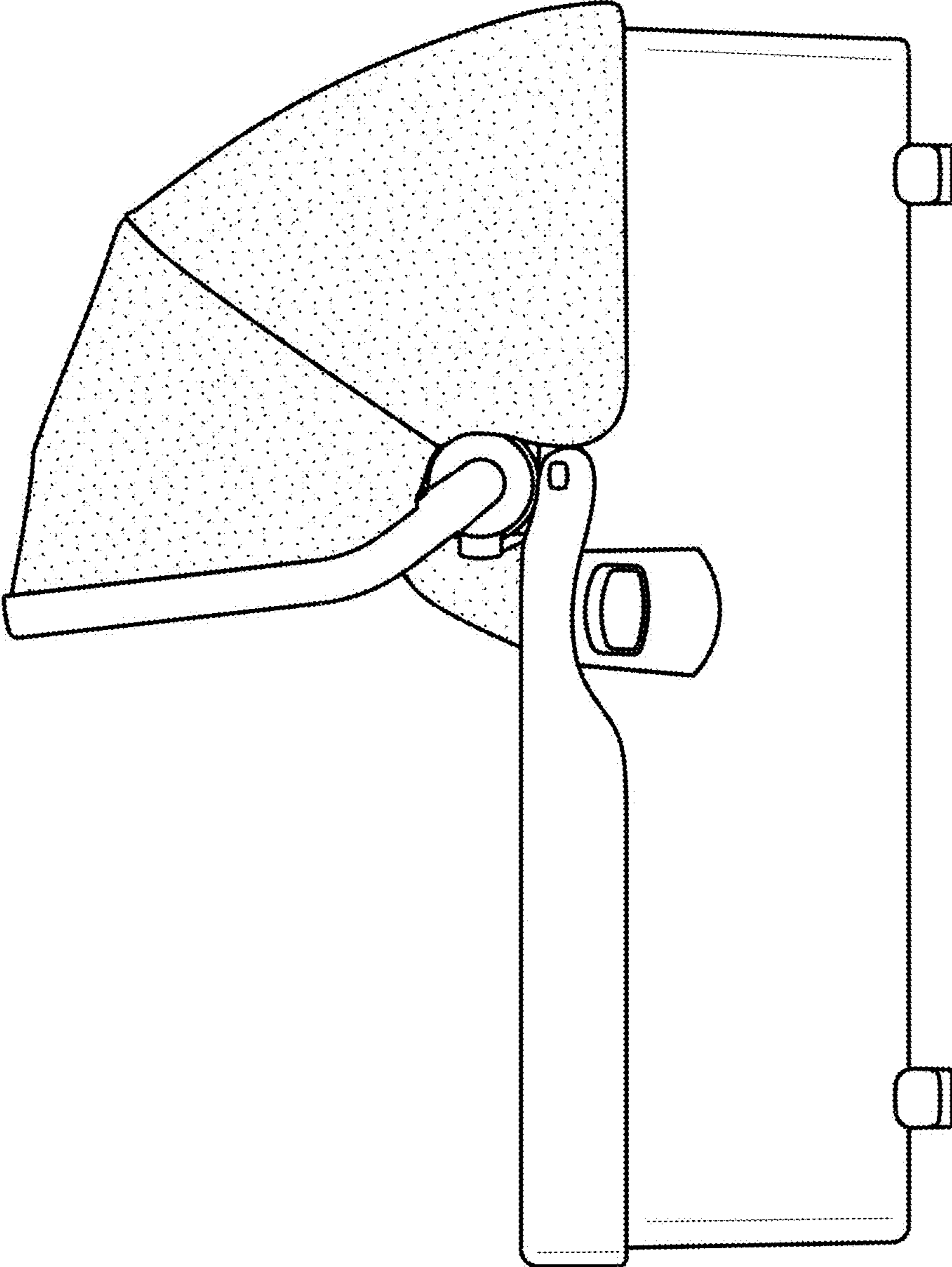


FIG. 5

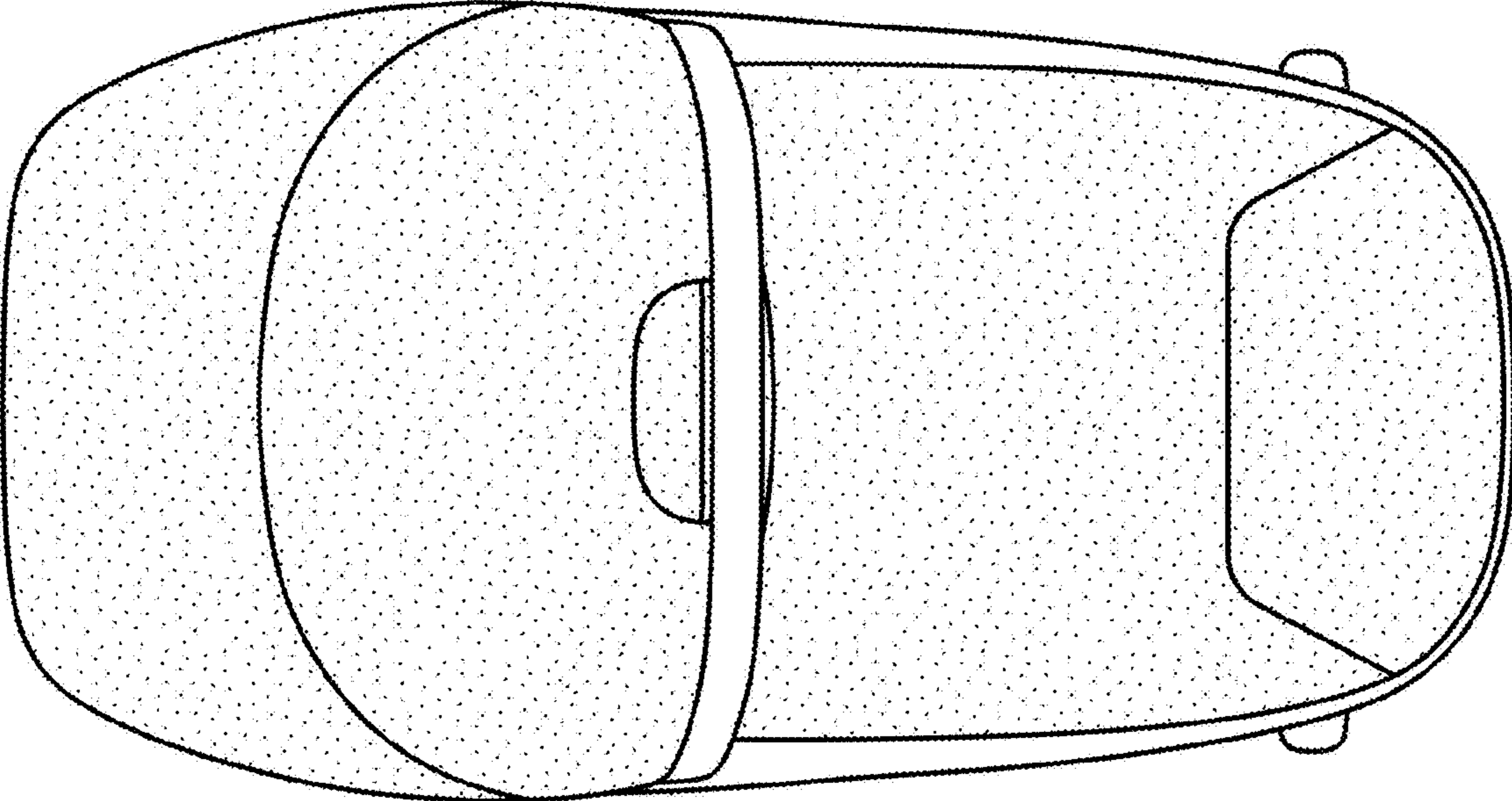


FIG. 6