



US00D989505S

(12) **United States Design Patent** (10) **Patent No.:** **US D989,505 S**
Parteko et al. (45) **Date of Patent:** **** Jun. 20, 2023**

(54) **FURNITURE FOR MARINE VESSEL**

FOREIGN PATENT DOCUMENTS

(71) Applicant: **Brunswick Corporation**, Mettawa, IL (US)

CN 304596568 4/2018
EM 008487250-0003 4/2021

(Continued)

(72) Inventors: **Rachel Parteko**, Ossian, IN (US);
Rostislav T. Kucher, Bartlett, IL (US)

OTHER PUBLICATIONS

(73) Assignee: **BRUNSWICK CORPORATION**, Mettawa, IL (US)

Wise Pontoon Furniture Installation Video, announced in YouTube on Jan. 9, 2018 [online], [site visited Dec. 27, 2022], Available from the internet URL: <https://www.youtube.com/watch?v=OhxlEI3zblU>.*

(**) Term: **15 Years**

(Continued)

(21) Appl. No.: **29/780,637**

Primary Examiner — Darlington Ly

(22) Filed: **Apr. 26, 2021**

Assistant Examiner — D. Ryan Tisdale

(51) **LOC (14) Cl.** **12-06**

(74) *Attorney, Agent, or Firm* — Andrus Intellectual Property Law, LLP

(52) **U.S. Cl.**

USPC **D6/381**

(58) **Field of Classification Search**

(57) **CLAIM**

USPC D12/300, 302–304, 306–307, 310–318,
D12/400, 415, 419; D6/360–361, 553,
D6/555, 574, 641, 648, 661–662, 675,
D6/675.1, 675.2, 675.5, 694, 707.19, 719,
D6/381; D19/92; D7/620, 701, 707

The ornamental design for a furniture for marine vessel, as shown and described.

CPC B63B 34/00; B63B 34/05; B63B 34/10;
B63B 34/23; B63B 34/26; B63B
2035/002; B63B 2035/004; B63B
2035/009; B63B 7/00; B63B 7/04; B63B
7/06; B63B 32/00; B63B 32/77; B63B
32/83; B63B 2029/043; B63B 2029/046;
B63B 29/00; B63B 29/02; B63B 29/04;
B63B 17/00; B63B 35/00; A47B 13/00;
A47B 13/08; B63H 16/00; B63H 16/12;
B63H 7/00; B63H 9/04; B63H

DESCRIPTION

(Continued)

FIG. 1 is a side perspective view from the front of a first embodiment of furniture for a marine vessel according to our new design;
FIG. 2 is a side perspective view from the back thereof;
FIG. 3 is a top plan view thereof;
FIG. 4 is a side elevation view thereof;
FIG. 5 is a side perspective view from the front of a second embodiment of furniture for a marine vessel according to our new design, which is a mirror image of the first embodiment;
FIG. 6 is a side perspective view from the back thereof;
FIG. 7 is a top plan view thereof; and,
FIG. 8 is a side elevation view thereof.
The broken lines in the figures illustrate portions of the furniture for a marine vessel that form no part of the claimed design.

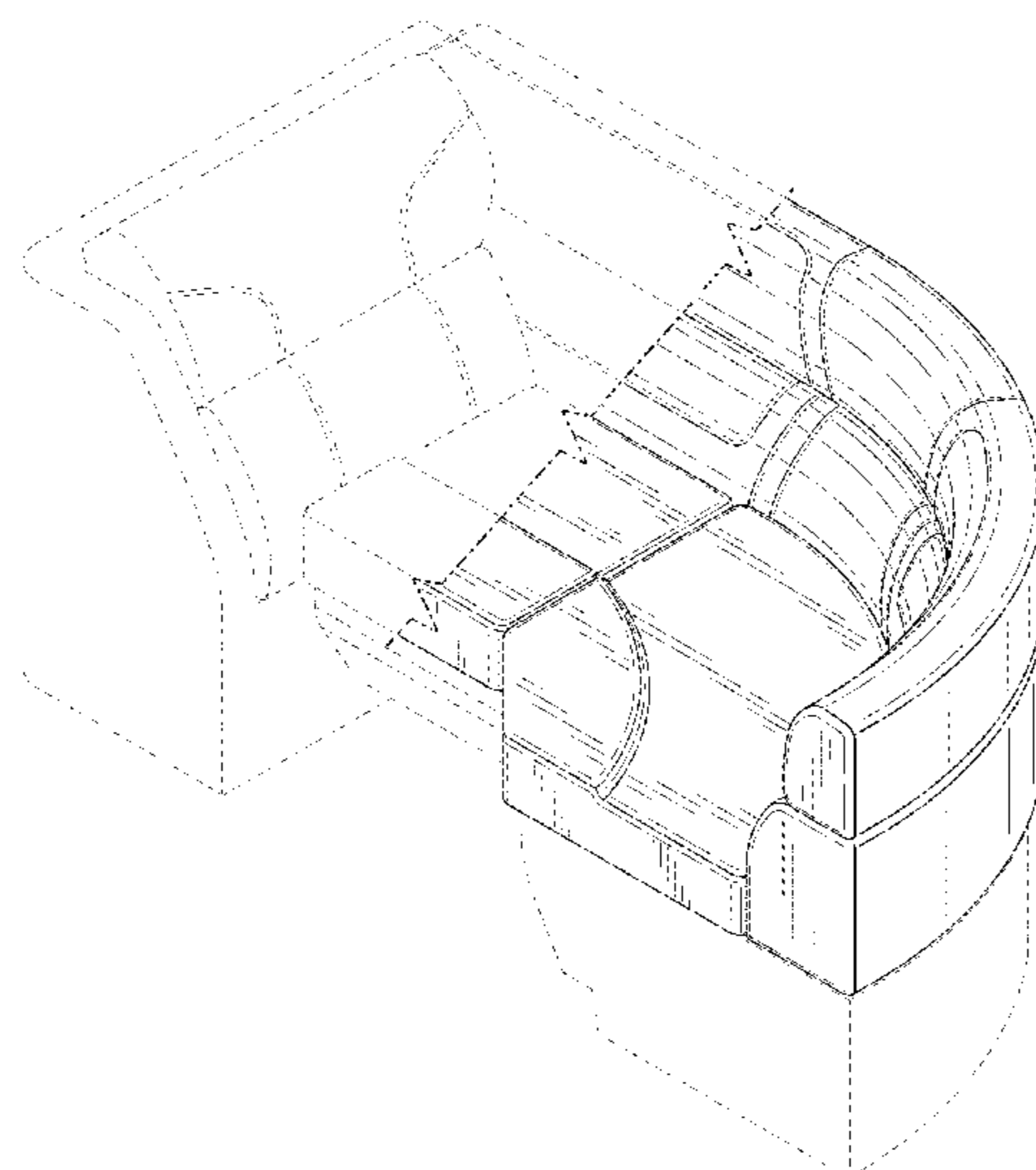
(56) **References Cited**

U.S. PATENT DOCUMENTS

D127,563 S 6/1941 Cloutier
3,804,233 A 4/1974 Gregg

(Continued)

1 Claim, 8 Drawing Sheets



(58) **Field of Classification Search**
 CPC . 11/00; B60N 3/00; B60N 3/10; B60N 3/101;
 B60R 11/00; A47G 23/0208
 See application file for complete search history.

2016/0242556 A1* 8/2016 Ray A47B 85/06
 2018/0154815 A1 6/2018 Karges et al.
 2019/0024970 A1 1/2019 Sapia et al.
 2019/0084475 A1 3/2019 Tokunaga et al.
 2019/0359108 A1 11/2019 Han et al.
 2021/0320528 A1 10/2021 Kim et al.
 2022/0266951 A1* 8/2022 Rogers B63H 25/02

(56) **References Cited**

U.S. PATENT DOCUMENTS

D255,310 S 6/1980 Spencer
 D272,486 S 2/1984 Benedetti
 D289,950 S * 5/1987 Offredi D6/381
 D299,287 S 1/1989 Gertler
 D327,743 S 7/1992 Frenkel et al.
 5,988,749 A 11/1999 Williams
 6,059,364 A * 5/2000 Dryburgh B64D 11/06395
 244/118.6
 D430,090 S 8/2000 Walterscheid et al.
 D547,967 S * 8/2007 Oldham D6/381
 D576,820 S * 9/2008 Priestman D12/345
 D627,567 S * 11/2010 Fomby et al.
 D686,784 S 7/2013 Elliott et al.
 8,517,466 B1 * 8/2013 Wizorek B63B 29/04
 297/118
 D699,085 S 2/2014 Reid, Jr.
 D708,451 S * 7/2014 Gashcy D6/378
 D735,636 S 8/2015 Wragg
 9,272,651 B1 3/2016 Maya et al.
 D777,528 S 1/2017 Landphere
 D793,948 S 8/2017 Nunez et al.
 D807,129 S 1/2018 Martinez
 D823,654 S 7/2018 Harris
 D824,736 S 8/2018 Yang
 D897,791 S 10/2020 Wesley
 10,940,784 B1 3/2021 Roychoudhury et al.
 D919,545 S 5/2021 Parteko et al.
 D933,990 S * 10/2021 Killinger D6/378
 D948,234 S * 4/2022 Højfeldt D6/377
 D964,107 S 9/2022 Bornfleth
 D977,406 S 2/2023 Zhou
 2007/0119855 A1 5/2007 Ishida et al.
 2012/0075842 A1 3/2012 Goto
 2012/0151820 A1 6/2012 Carroll
 2013/0256356 A1 10/2013 Abro et al.
 2014/0367433 A1 12/2014 Rifel et al.
 2015/0238034 A1 8/2015 Faulk

FOREIGN PATENT DOCUMENTS

GB 6072107 9/2019
 RU 00038097 * 1/1994
 SG 30201602330V-0001 * 4/2016

OTHER PUBLICATIONS

Deckmate Classic 30" Corner Seat Install—Pontoon Stuff Seats, announced in YouTube on Nov. 7, 2022 [online], [site visited Dec. 27, 2022], Available from the internet URL: <https://www.youtube.com/watch?v=kkSBitxB-IA>.*

DeckMate Pontoon Boat Seats & Furniture, announced in YouTube on Mar. 21, 2021 [online], [site visited Dec. 27, 2022], Available from the internet URL: <https://www.youtube.com/watch?v=-oP91Jv9ULw>.*

2021 Harris Solstice 250 Pontoon, Published date unavailable (online), retrieved on Jan. 11, 2021. Retrieved from the Internet: <https://www.yachtworld.com/boats/2021/harris-solstice-250-3700252/> (Year: 2021).

2020 Harris Solstice 250 SL EC, Published on Dec. 9, 2019 (online), (retrieved on Jan. 11, 2021). Retrieved from the Internet: https://www.youtube.com/watch?v=j6fkENj8Q_E (Year 2019).

Pontoon Portable Dual Cupholder, announced in YouTube on Sep. 19, 2021 [online], [site visited Dec. 22, 2022], Available from the internet URL: https://www.youtube.com/watch?v=8_NyNHA6sWo.

Starboard Cup Holder Boat To Hole 30 oz Yeti, announced in YouTube on Apr. 2, 2020 [online], [site visited Dec. 22, 2022], Available from the internet URL: <https://www.youtube.com/watch?v=F2uW1MW9kHs>.

Pontoon Boat Seats (CG1843), available in PontoonStuff.com, announced Year 2021 [online], [site visited Dec. 22, 2022], Internet URL: <https://www.pontoonstuff.com/collections/classic-pontoon-furniture-packages/products/pontoon-boat-seats-cg1843>.

* cited by examiner

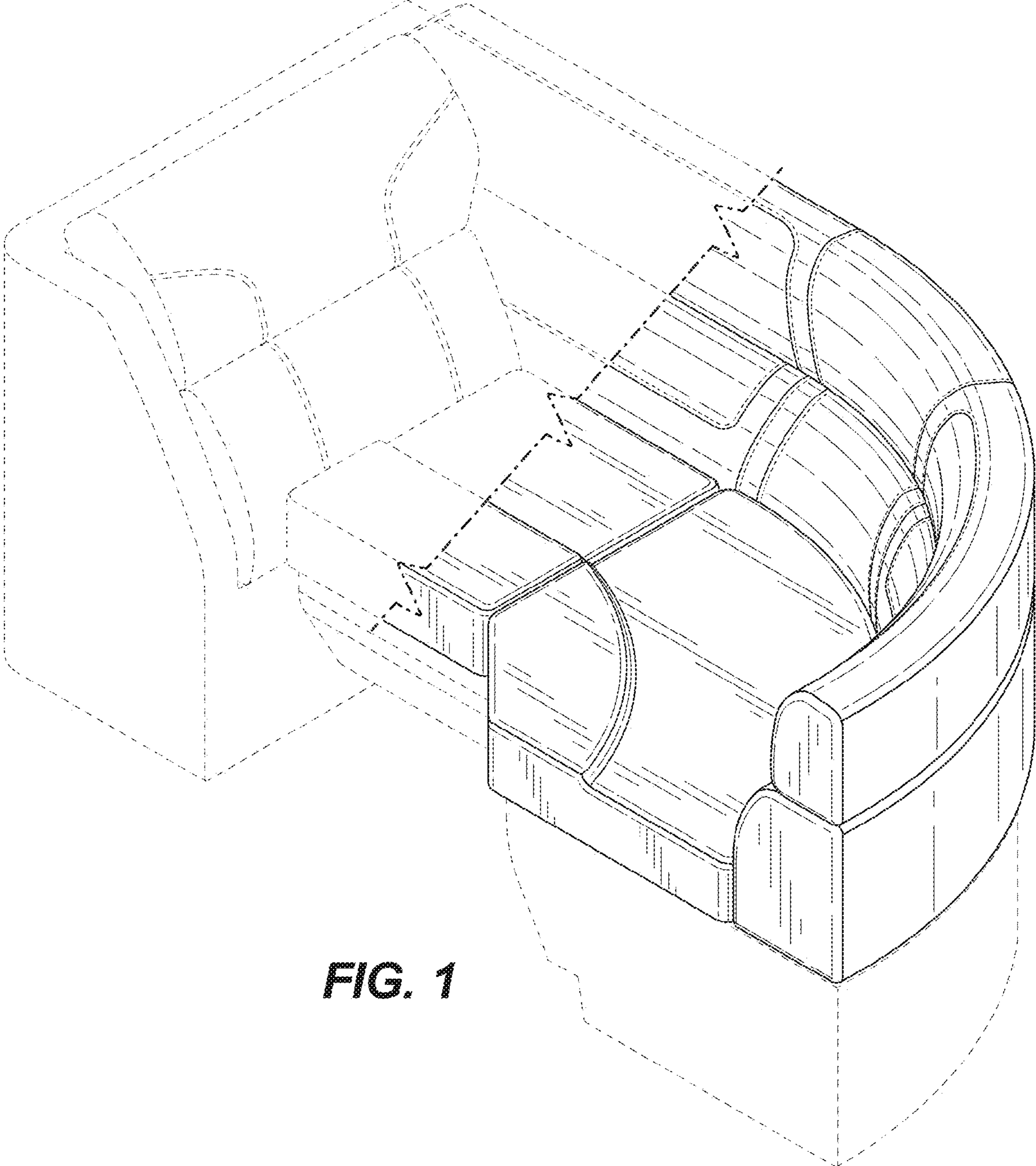


FIG. 1

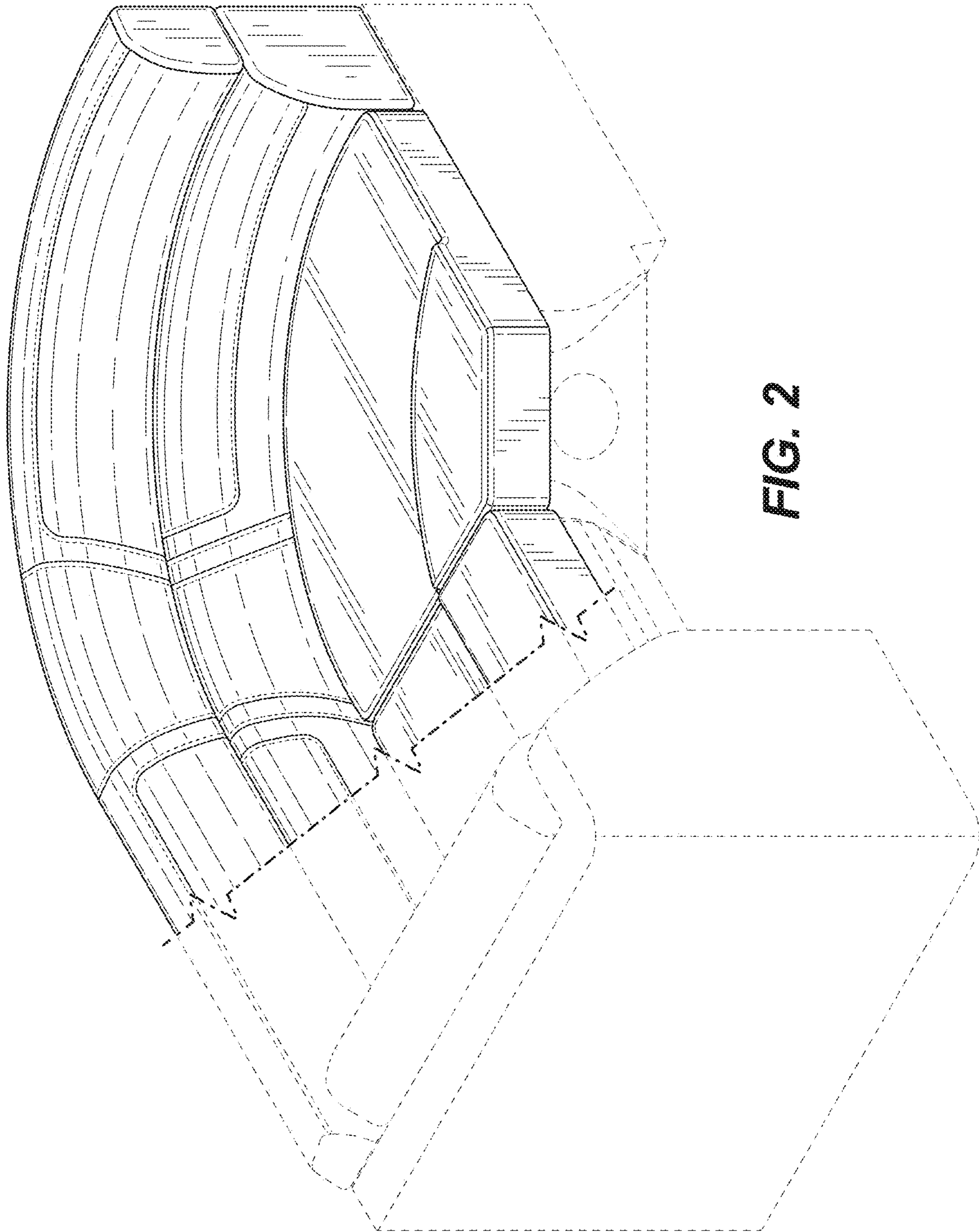


FIG. 2

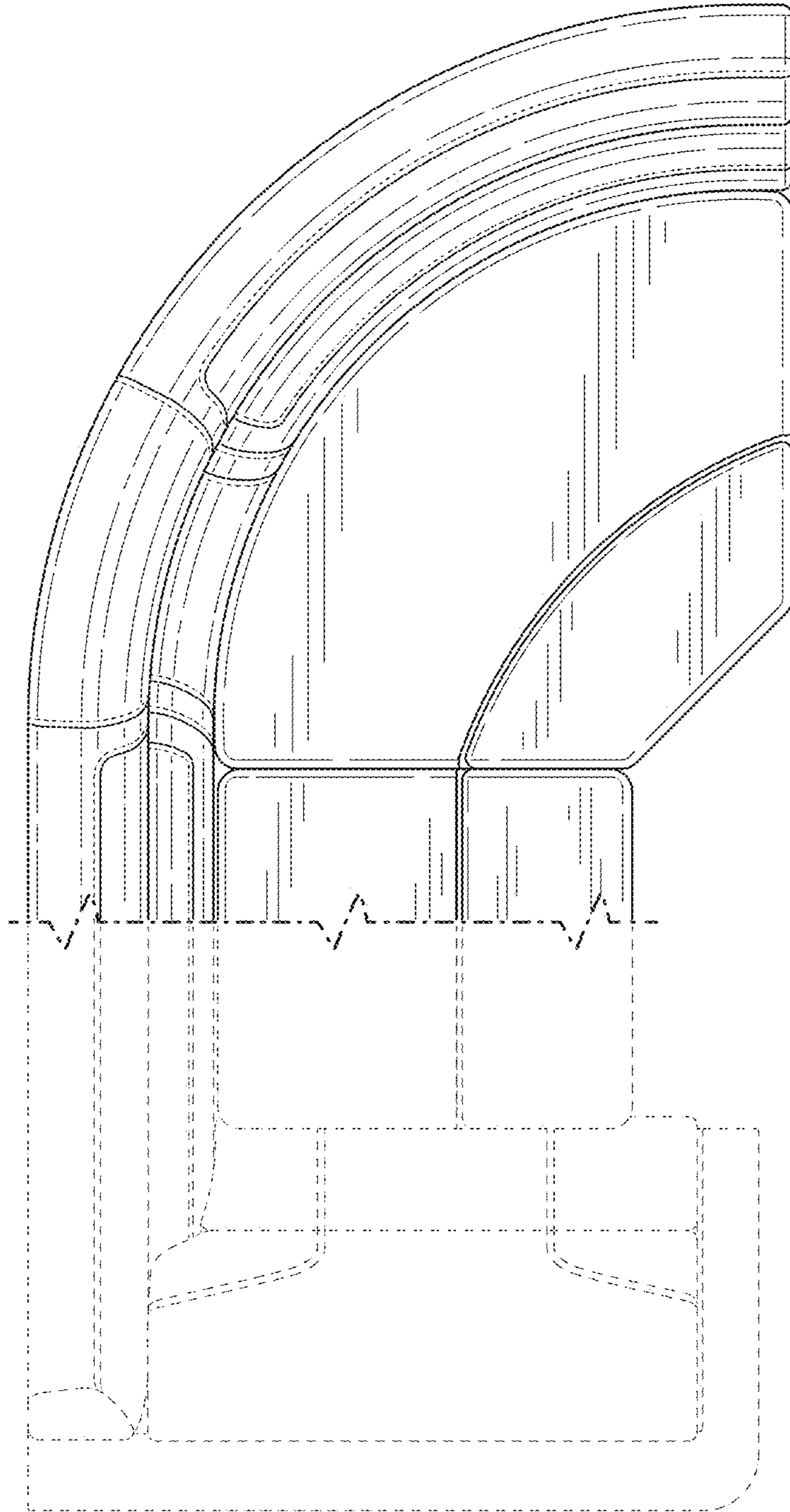


FIG. 3

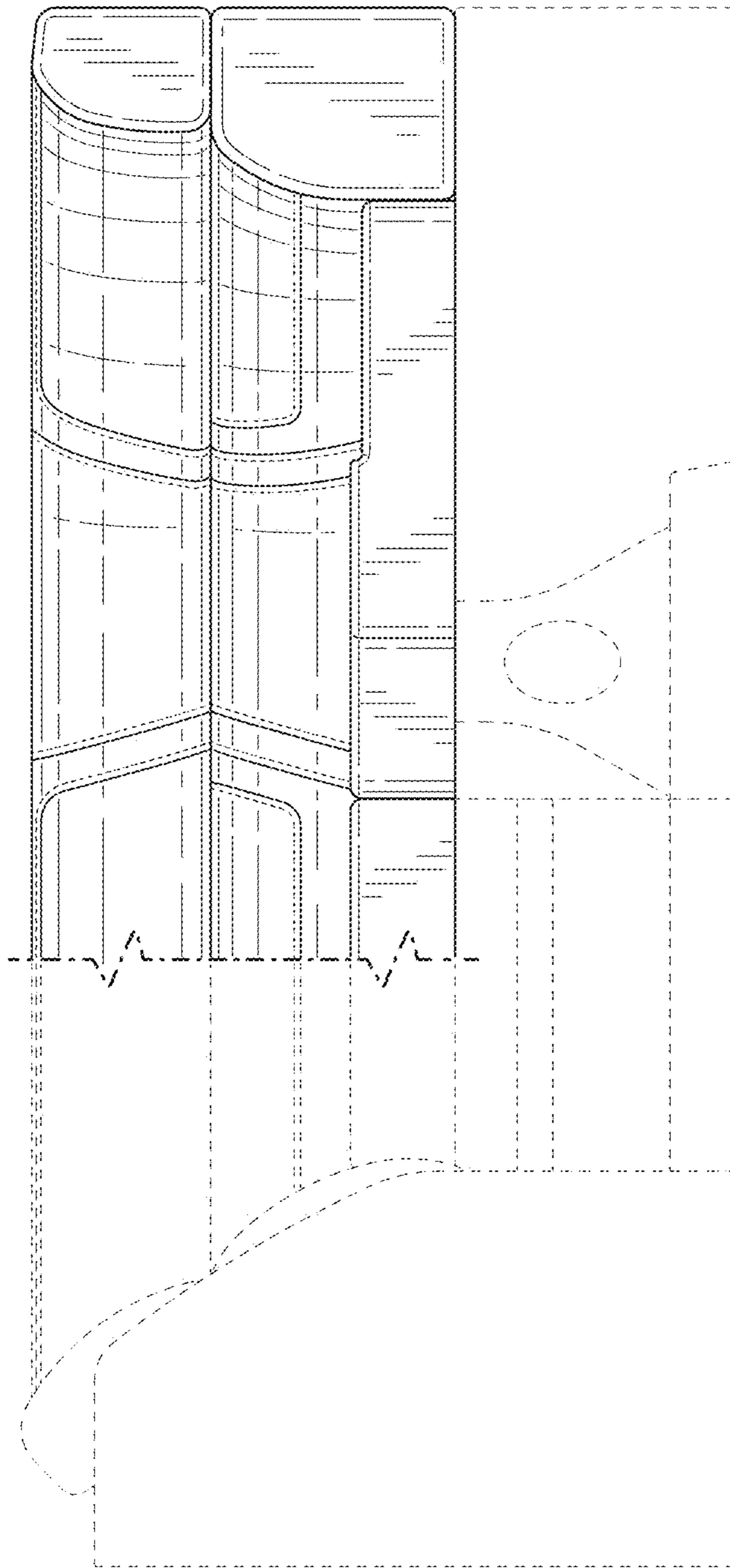


FIG. 4

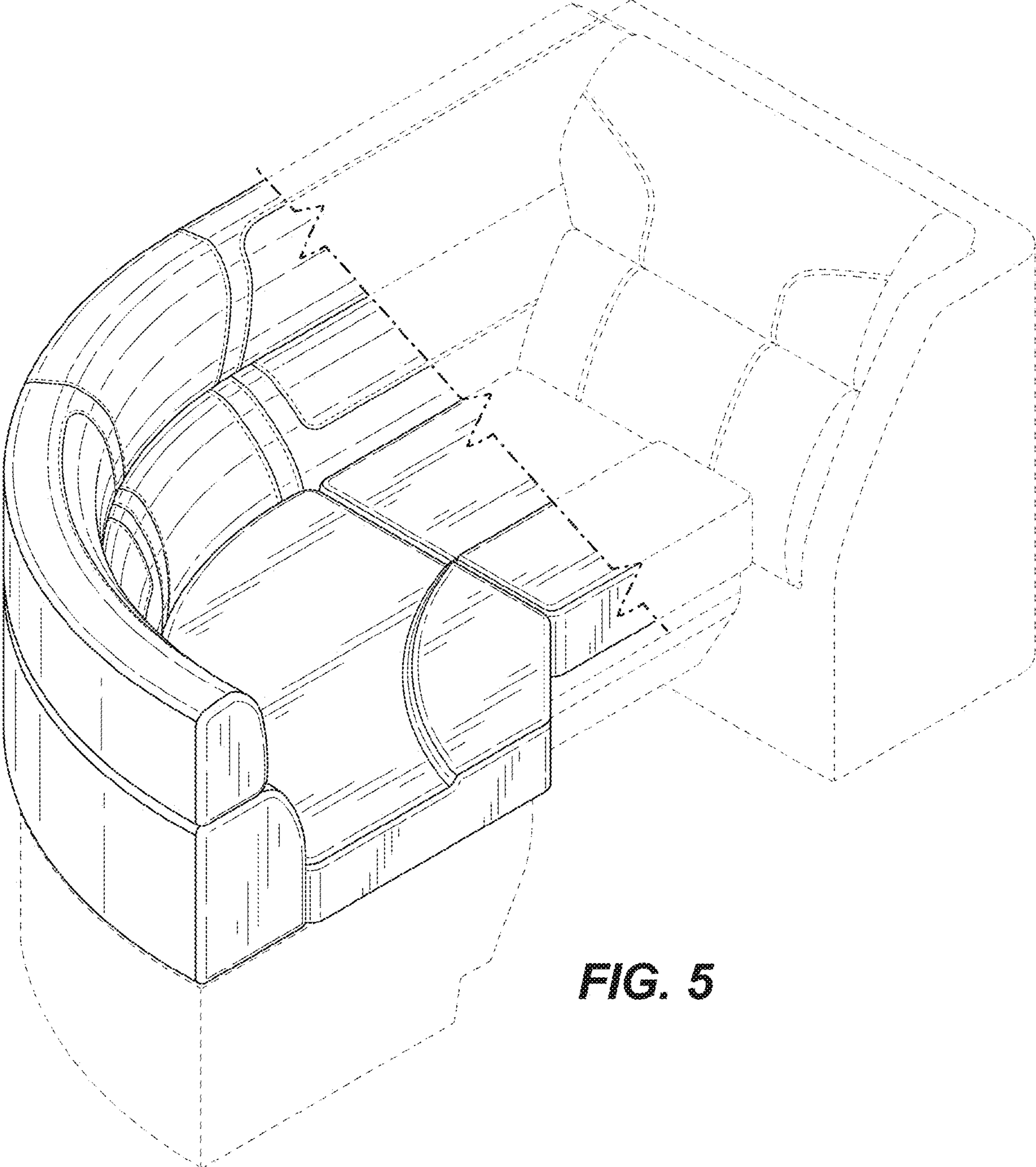


FIG. 5

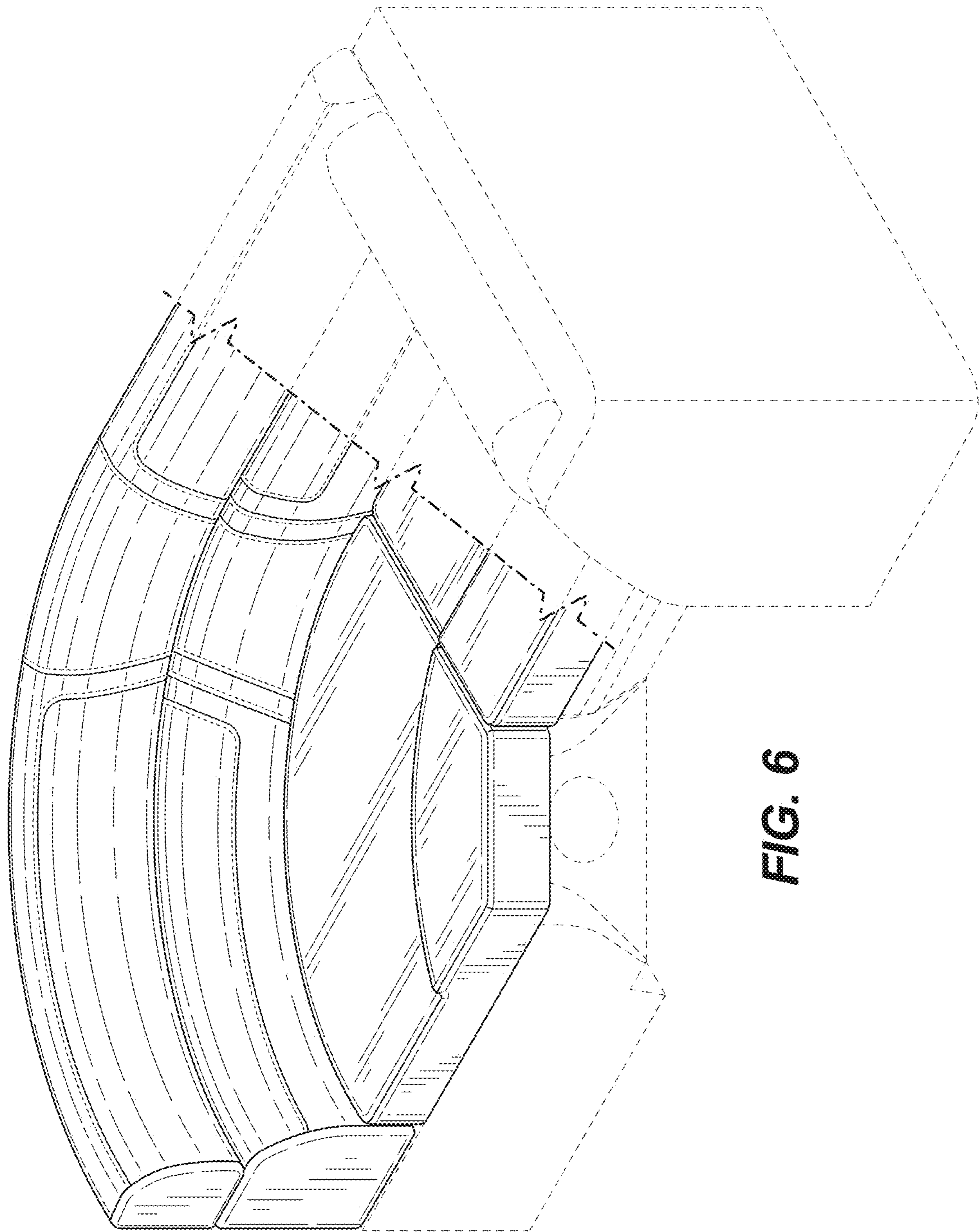


FIG. 6

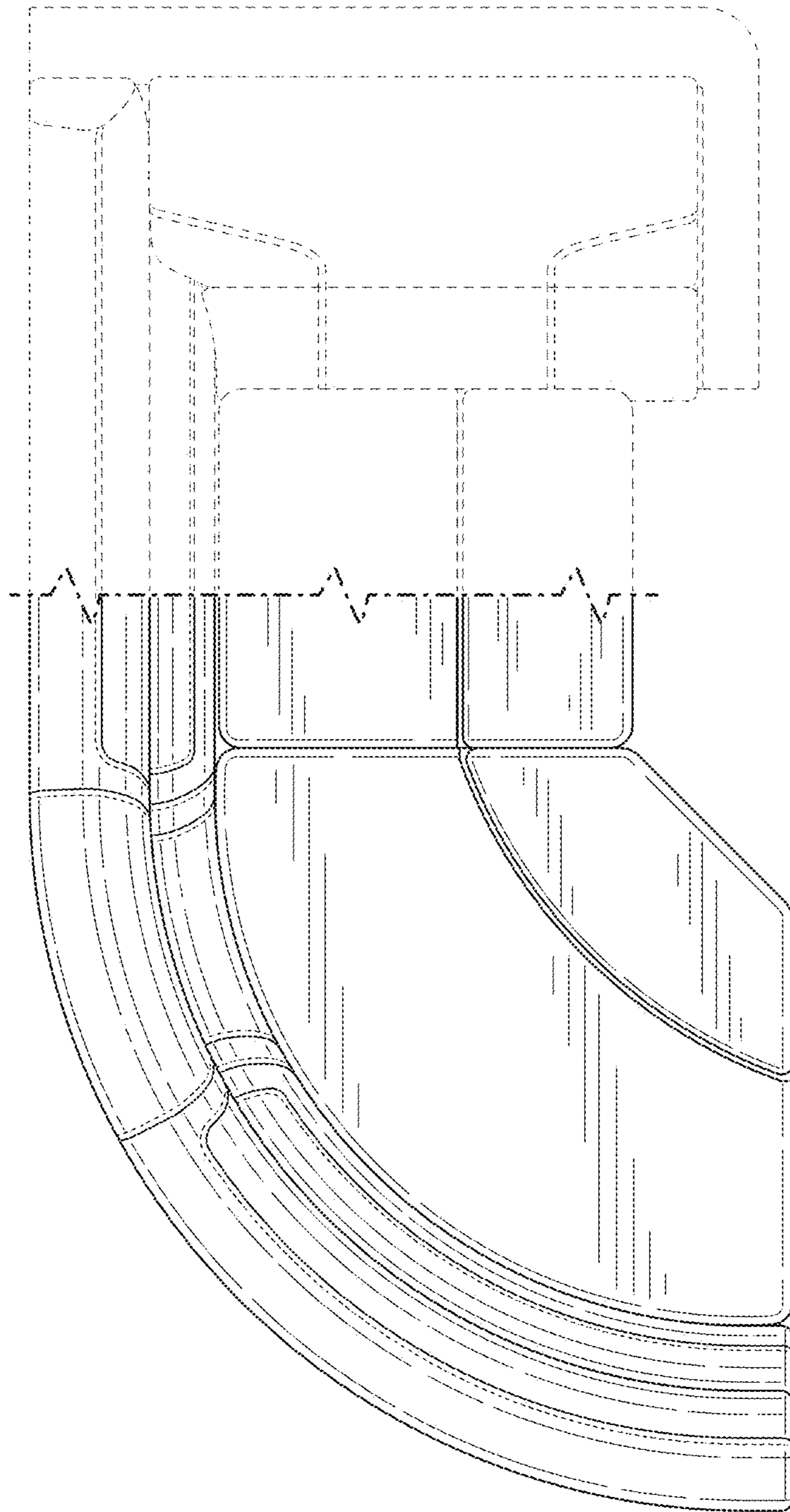


FIG. 7

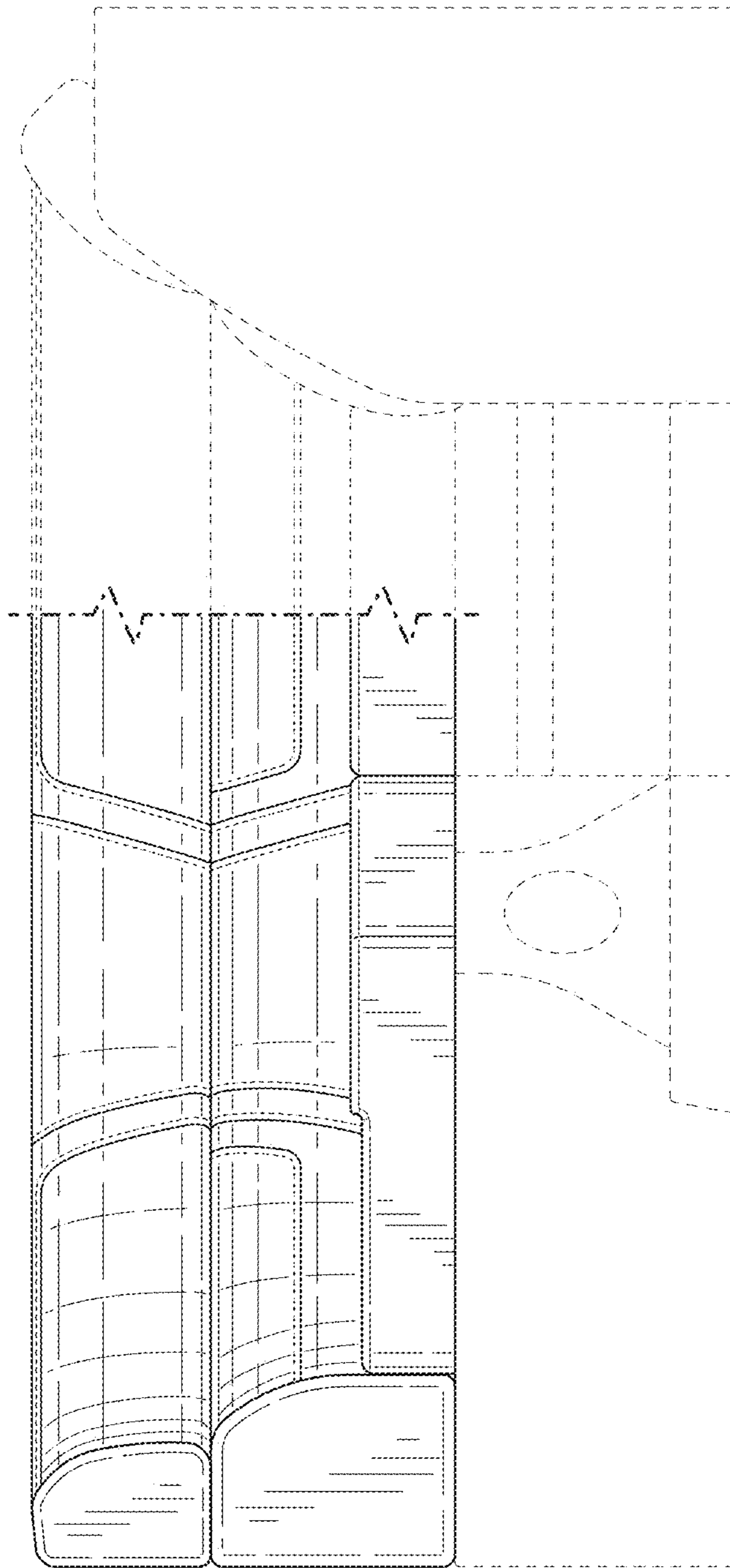


FIG. 8