



US00D989502S

(12) **United States Design Patent**
Young et al.

(10) **Patent No.:** **US D989,502 S**
(45) **Date of Patent:** **** Jun. 20, 2023**

(54) **STOOL**

(71) Applicant: **STEELCASE, INC.**, Grand Rapids, MI (US)

(72) Inventors: **Michael Young**, Sai Ying Pun (CN);
John Hamilton, San Rafael, CA (US);
Benjamin McCarthy, Sai Ying Pun (CN); **Alexandre Nacrou**, Winsham Somerset (GB)

(73) Assignee: **Steelcase Inc.**, Grand Rapids, MI (US)

(**) Term: **15 Years**

(21) Appl. No.: **29/808,880**

(22) Filed: **Sep. 23, 2021**

(51) **LOC (14) Cl.** **06-01**

(52) **U.S. Cl.**
USPC **D6/360**

(58) **Field of Classification Search**
USPC D6/334, 349, 355, 360, 371, 372, 373,
D6/380, 716, 716.1, 716.4
CPC .. A47C 3/023; A47C 3/04; A47C 3/18; A47C
9/02; A47C 9/025
See application file for complete search history.

(56) **References Cited**

U.S. PATENT DOCUMENTS

3,367,290	A	2/1968	Barecki	
5,205,629	A	4/1993	Simons	
D335,782	S	5/1993	Lechman et al.	
5,403,082	A	4/1995	Kramer	
6,422,668	B1	7/2002	Kelley et al.	
6,769,747	B2	8/2004	Chan et al.	
D528,822	S	9/2006	Newhouse	
D537,650	S	3/2007	Luong	
D720,161	S *	12/2014	Udagawa D6/691.3
9,072,376	B2	7/2015	Wagner	

D814,203	S *	4/2018	Liu	D6/360
D814,814	S *	4/2018	Spoelhof	D6/349
D869,179	S	12/2019	Hubert		
D897,704	S *	10/2020	Giotti	D6/360
D953,048	S *	5/2022	Gori	D6/360
D972,323	S *	12/2022	Spoelhof	D6/349
2008/0084147	A1	4/2008	Brown		

FOREIGN PATENT DOCUMENTS

CN	301556870	S	5/2011
CN	306089772	S	6/2020
CN	213128525	U	5/2021

(Continued)

OTHER PUBLICATIONS

Design 6197778, application date Mar. 23, 2022, country code GB, publication date Mar. 23, 2022, owner Steelcase Inc (Year: 2022).*

(Continued)

Primary Examiner — Mary Ann Calabrese

Assistant Examiner — Mark David Wolfley

(74) *Attorney, Agent, or Firm* — Price Heneveld LLP

(57) **CLAIM**

The ornamental design for a stool, as shown and described.

DESCRIPTION

FIG. 1 is a perspective view of a stool according to a the design;

FIG. 2 is a front elevation view thereof;

FIG. 3 is a back elevation view thereof;

FIG. 4 is a right side elevation view thereof;

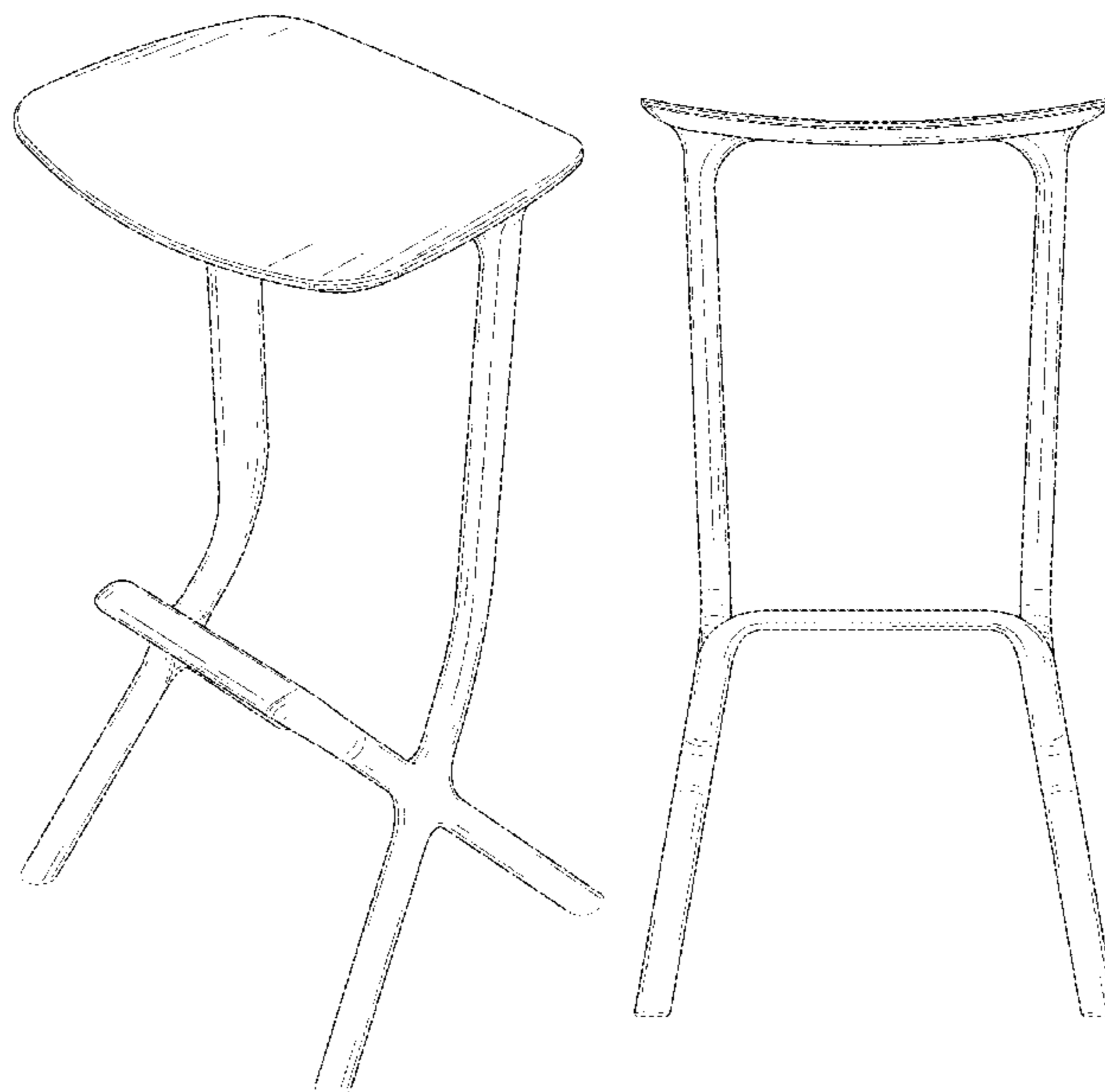
FIG. 5 is a left side elevation view thereof;

FIG. 6 is a top plan view thereof; and,

FIG. 7 is a bottom plan view thereof.

The portions of the article shown in broken line form no part of the claimed design.

1 Claim, 7 Drawing Sheets



(56)

References Cited

FOREIGN PATENT DOCUMENTS

DE	2113398	A1	10/1972
DE	19847741	A1	4/2000
DE	20015792	U1	12/2000
DE	202011102359	U1	11/2011
EP	0590211	A1	4/1994
JP	09294636	A	11/1997
JP	2001353028	A	12/2001
JP	2003250639	A	9/2003
JP	3478291	B2	12/2003
JP	3682183	B2	8/2005
JP	4009283	B2	11/2007
JP	4315541	B2	8/2009
JP	2011004917	A	1/2011
KR	102212428	B1	2/2021

OTHER PUBLICATIONS

Design 302472996, application date Dec. 15, 2013, country code CN, publication date Jun. 19, 2013, owner Huang Xuehui (Year: 2013).*

Herman Miller, Magis Stool_One, <https://www.hermanmiller.com/products/seating/stools/magis-stool-one> (7 pages).

Konstantin Grcic Industrial Design, Miura / Bar Stool / Plank / 2005, <http://konstantin-grcic.com/projects/miura/> (1 page).

Okamura; Miura p. 448 at <https://gmd.okamura.jp/iportal/CatalogViewInterfaceStartupAction.do?method=startUp&mode=PAGE&catalogCategoryId=&catalogId=27572970000&pageGroupId=225&volumeID=OKM05&keyword=&categoryID=&sortKey=&sortOrder=&designID=&designConfirmFlg=> (1 page).

* cited by examiner

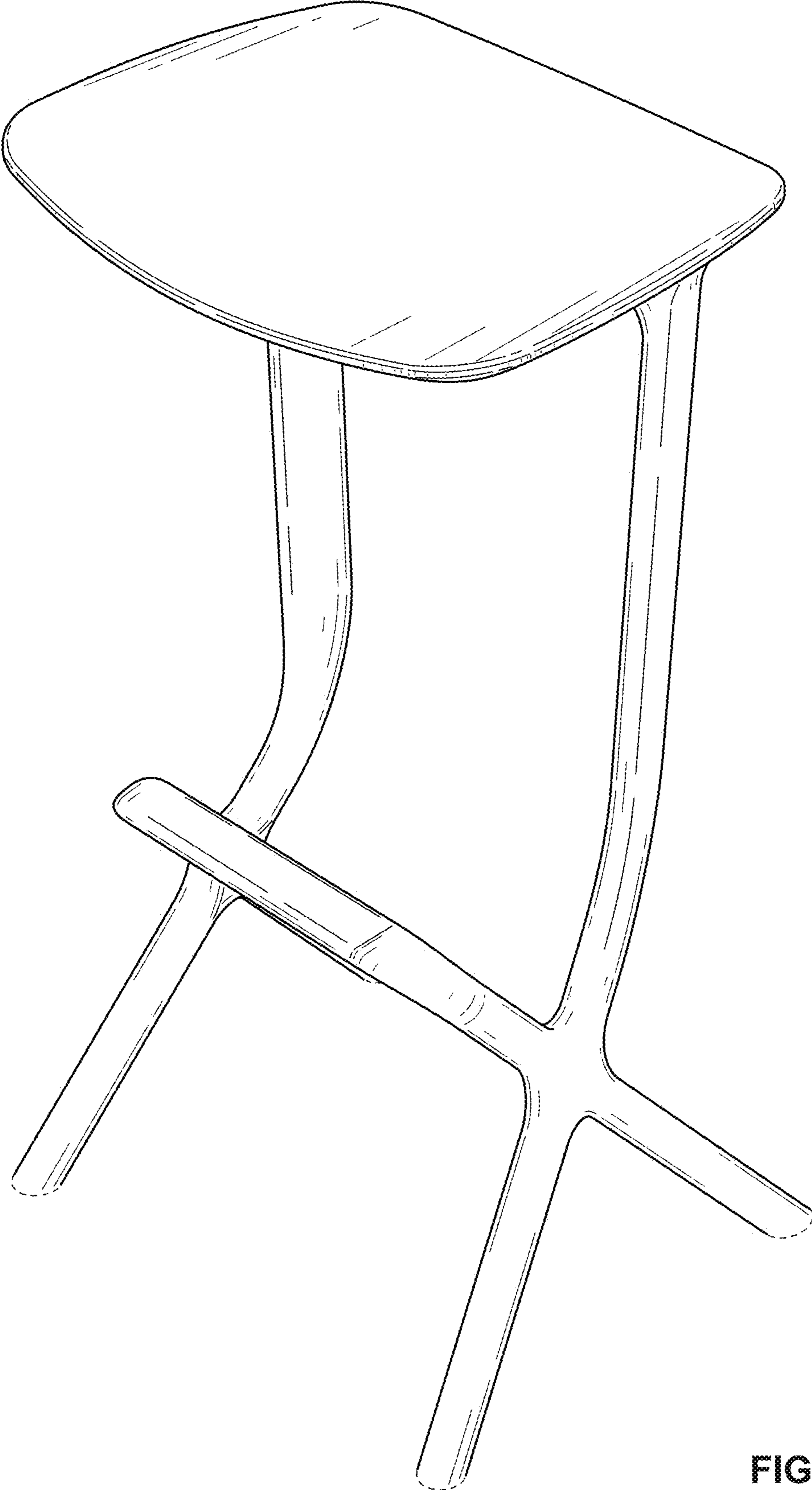


FIG. 1

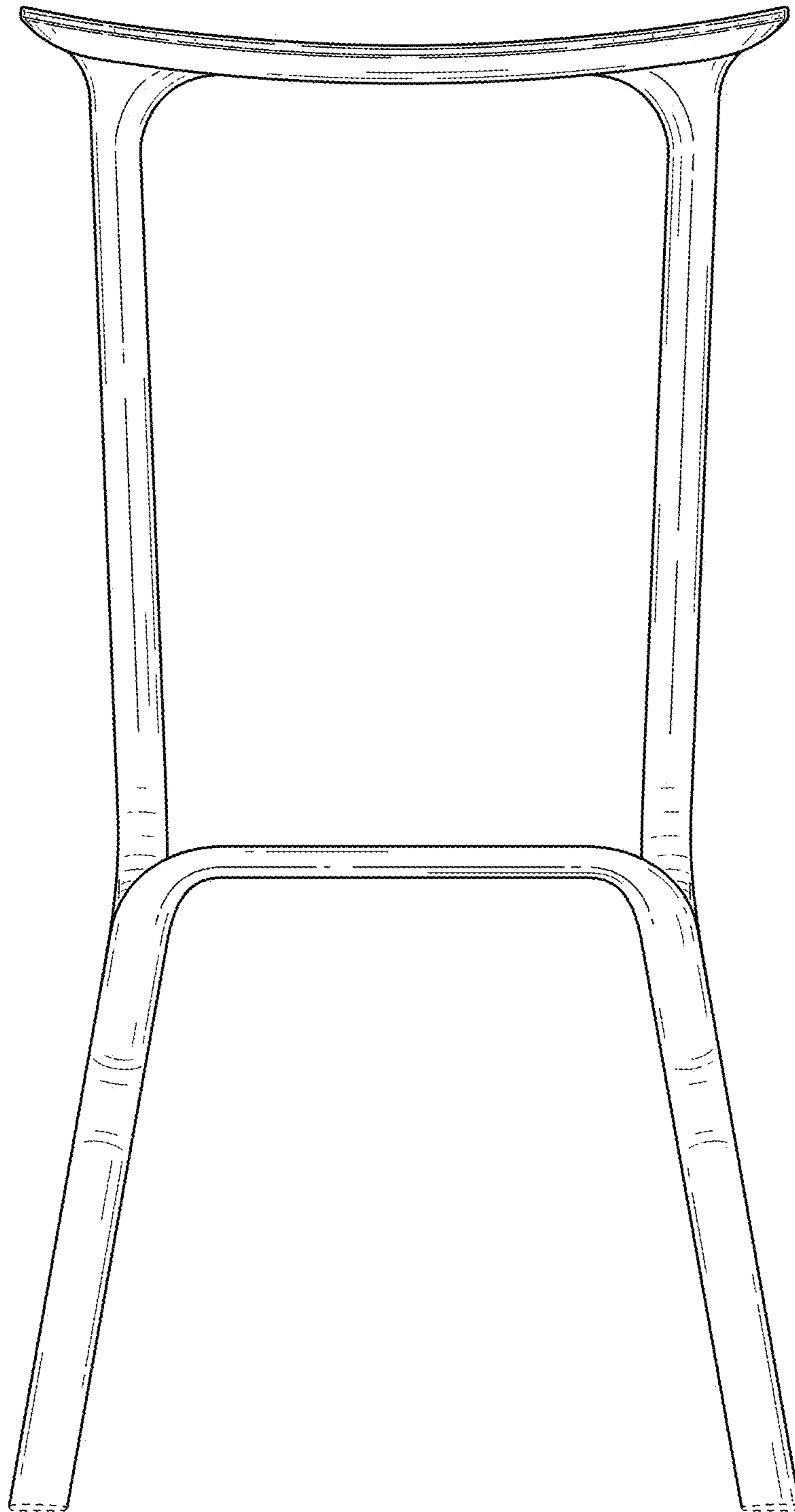


FIG. 2

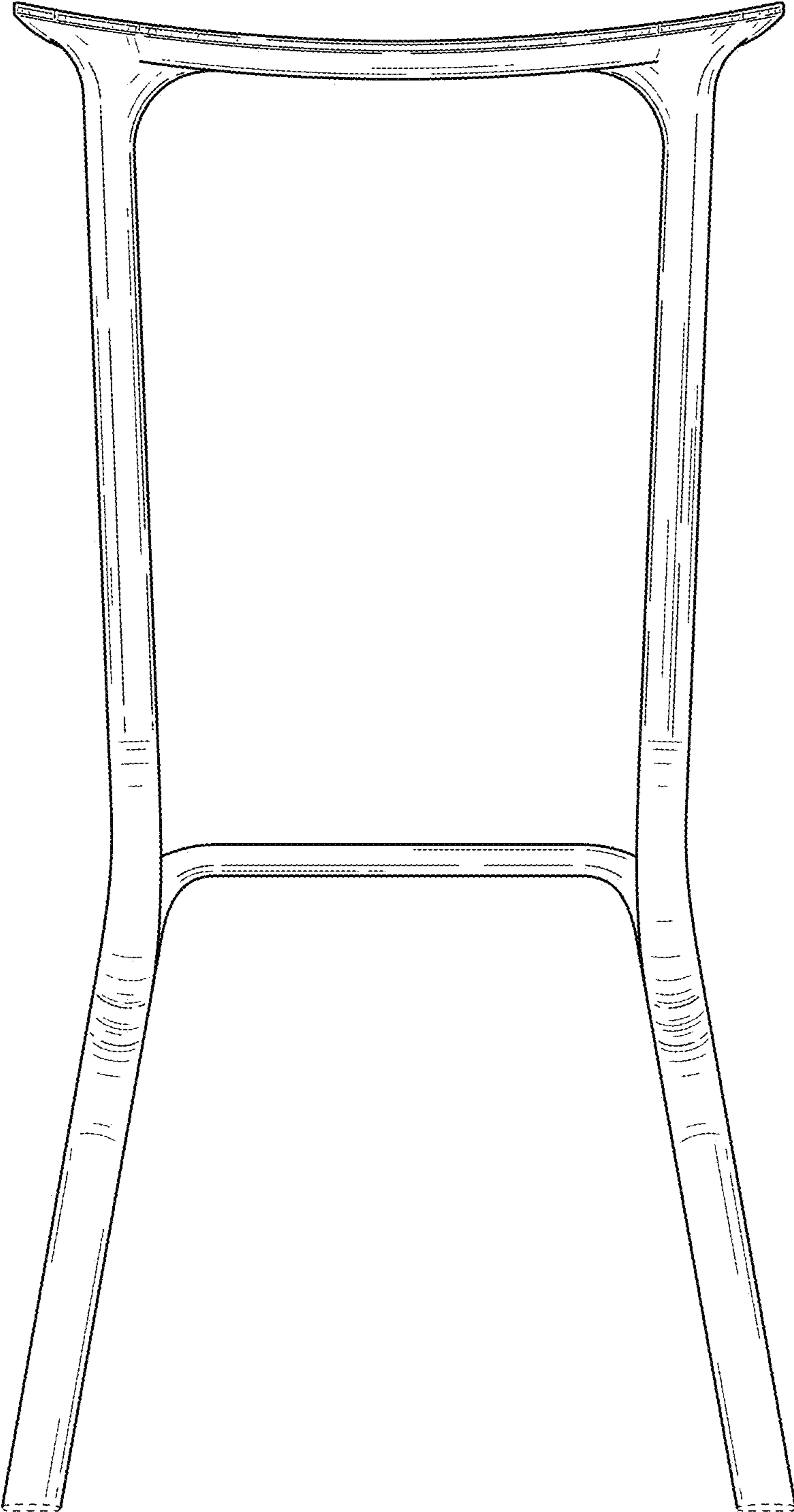


FIG. 3

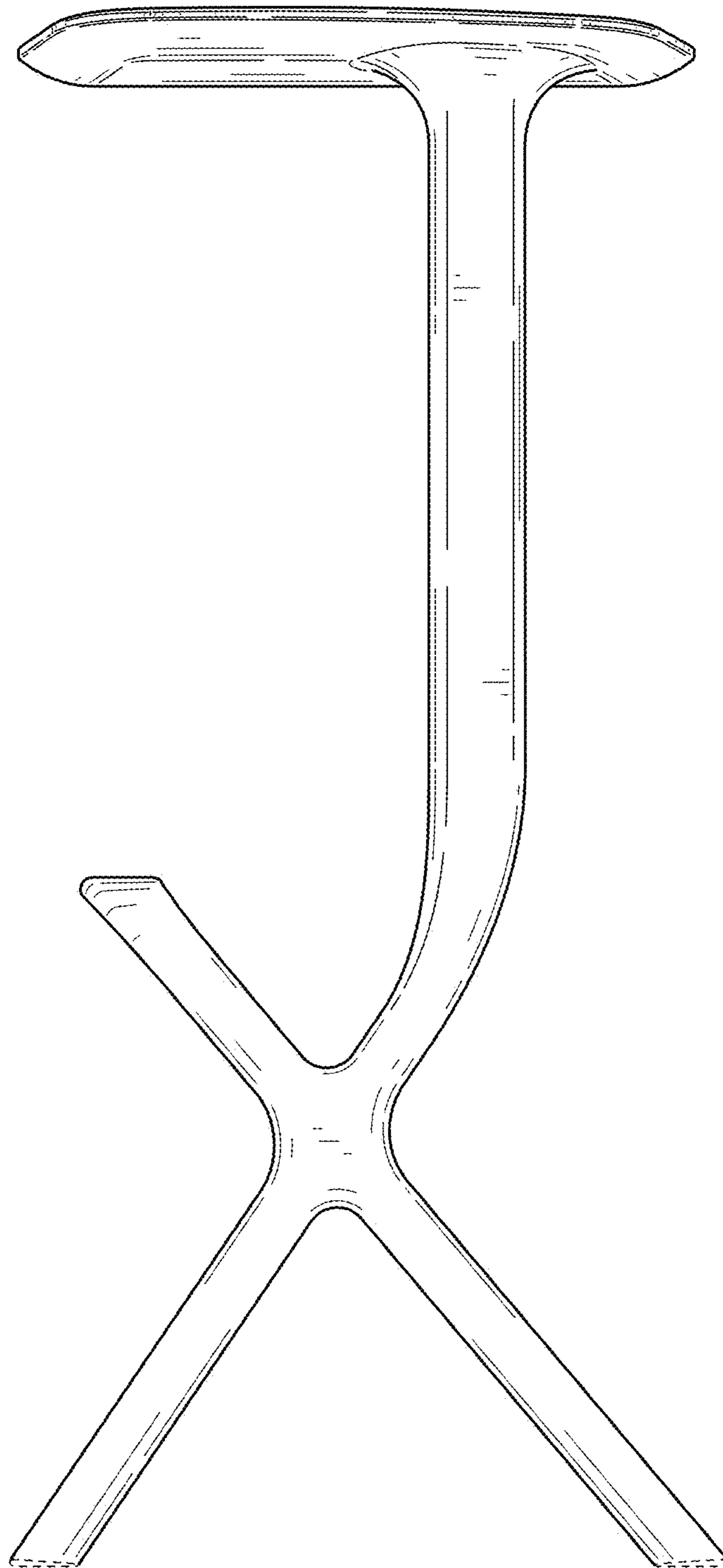


FIG. 4

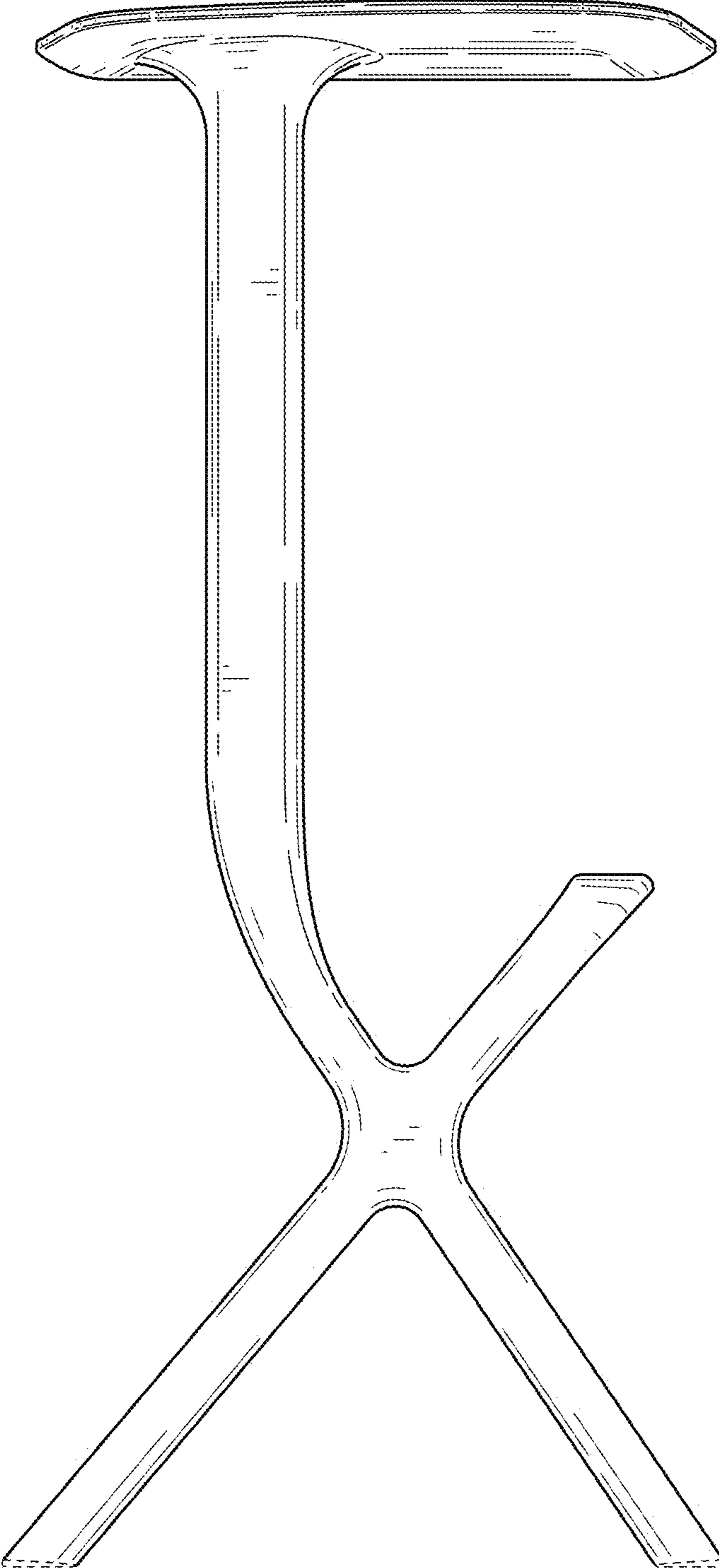


FIG. 5

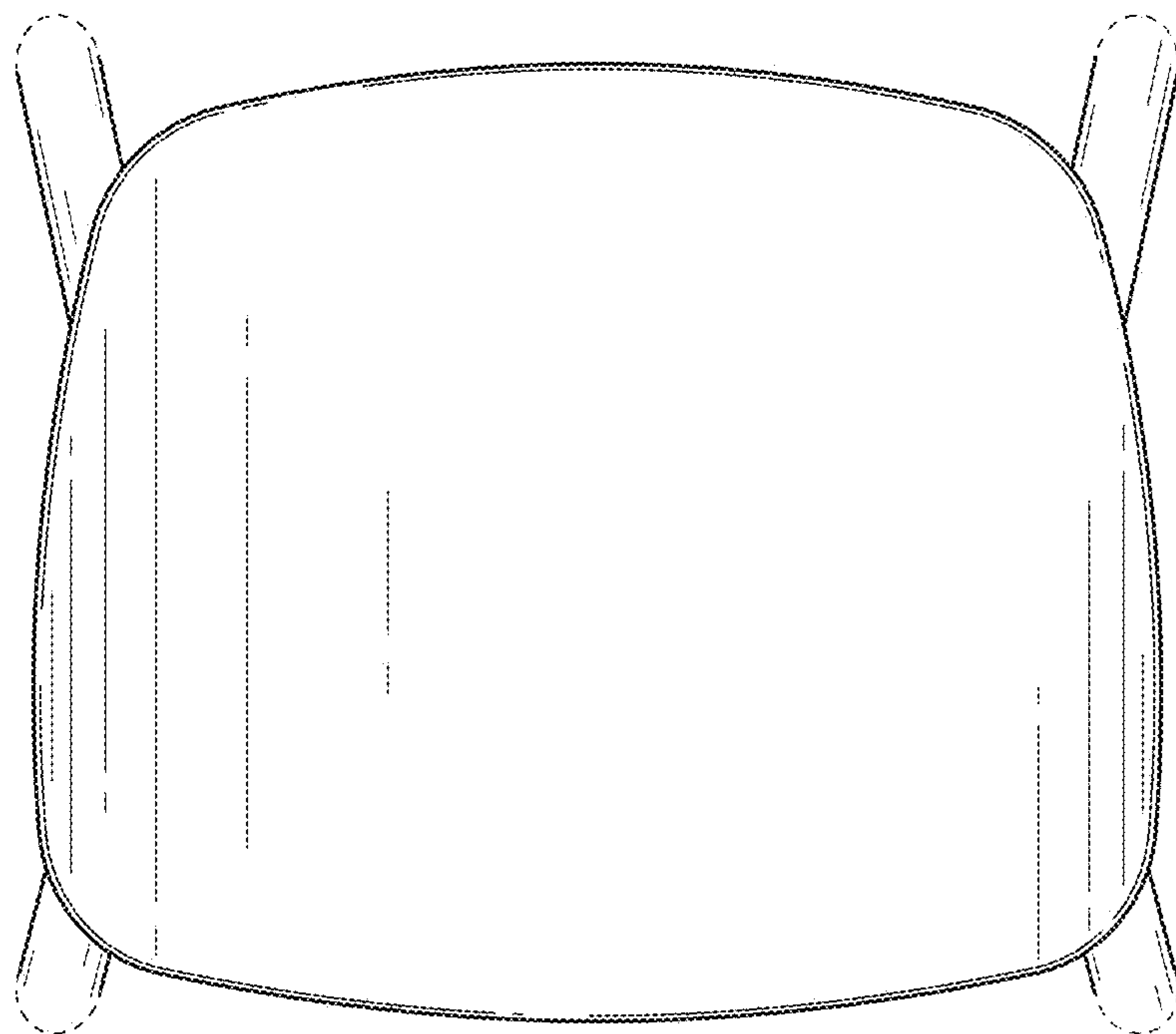


FIG. 6

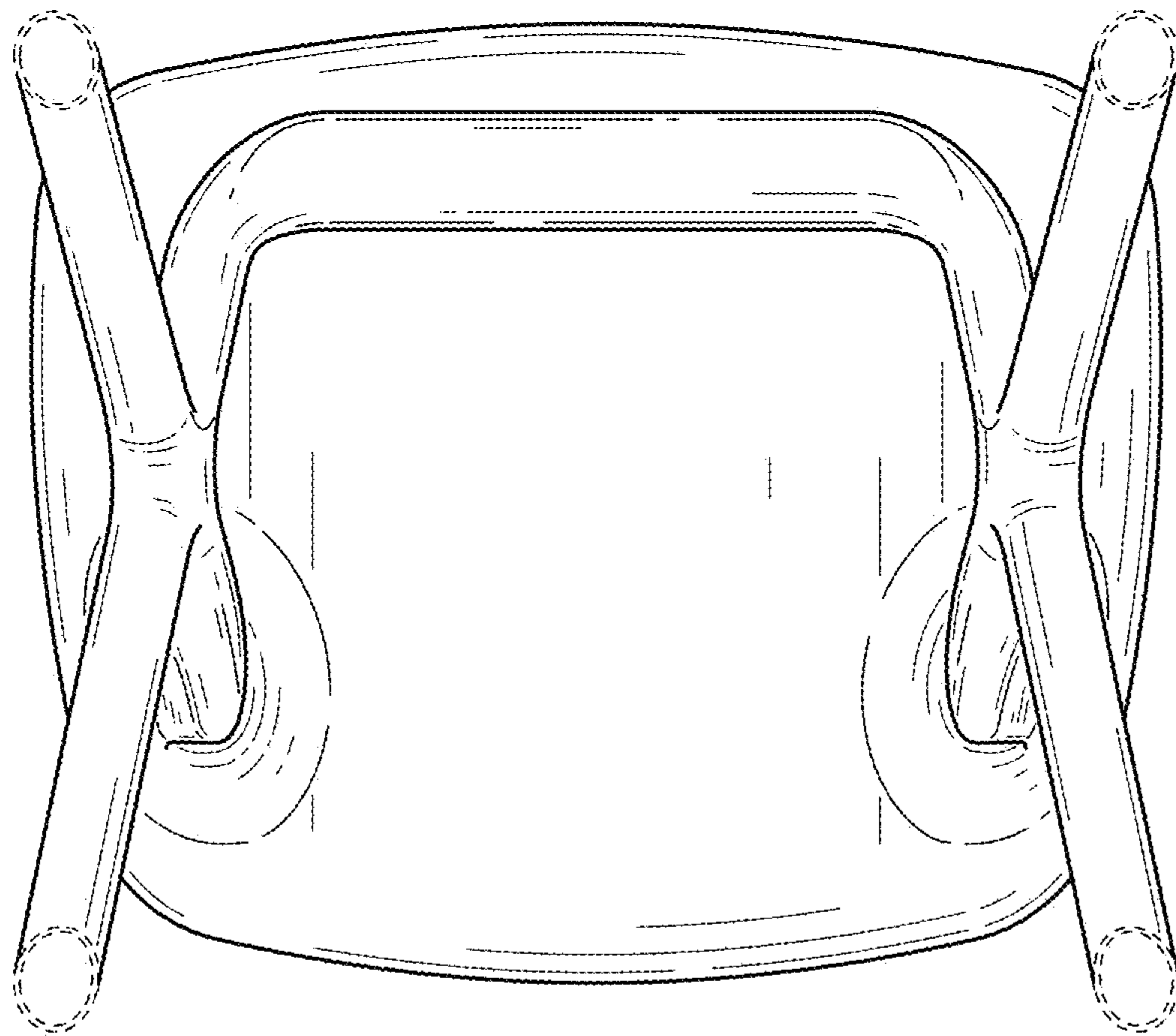


FIG. 7