



US00D989499S

(12) **United States Design Patent** (10) **Patent No.:** **US D989,499 S**
Yang (45) **Date of Patent:** **** Jun. 20, 2023**

(54) **BAR STOOL**

(71) Applicant: **Tao Yang**, Huzhou (CN)

(72) Inventor: **Tao Yang**, Huzhou (CN)

(**) Term: **15 Years**

(21) Appl. No.: **29/806,432**

(22) Filed: **Sep. 2, 2021**

(30) **Foreign Application Priority Data**

Aug. 31, 2021 (EM) 008668487-0001

(51) **LOC (14) Cl.** **06-01**

(52) **U.S. Cl.**
USPC **D6/349**; D6/360

(58) **Field of Classification Search**
USPC D6/334-336, 349-350, 352, 360,
D6/363-364, 370, 372-373, 375, 377,
D6/380, 716.4, 374, 716, 716.1, 716.6,
D6/716.7; D11/165
CPC A47C 3/021; A47C 5/046; A47C 3/02;
A47C 3/04; A47C 3/28; A47C 7/004
See application file for complete search history.

(56) **References Cited**

U.S. PATENT DOCUMENTS

D486,313 S * 2/2004 Manzali D6/360
D621,631 S * 8/2010 Li D6/360
D638,633 S * 5/2011 Du D6/360
D639,082 S * 6/2011 Pengelly D6/360
D657,149 S * 4/2012 Lievore D6/360
D668,464 S * 10/2012 Du D6/353

D688,481 S * 8/2013 Lee D6/360
D741,073 S * 10/2015 Keen D6/349
D812,387 S * 3/2018 Bahneman D6/352
D899,121 S * 10/2020 Yang D6/360
D905,985 S * 12/2020 Li D6/360
D953,760 S * 6/2022 Wu D6/360
2009/0001788 A1 * 1/2009 Lenz A47C 9/002
297/461

OTHER PUBLICATIONS

Youtaste Wooden Bar Stool, available in Amazon.com, date first available Nov. 3, 2021 [online], Retrieved on Dec. 5, 2022 from URL: <https://www.amazon.com/YOUTASTE-Counter-Barstool-Adjustable-Capacity/dp/B09KXLRWRM> (Year: 2021).*

* cited by examiner

Primary Examiner — Vy N Koenig
Assistant Examiner — Michelle M Reeves

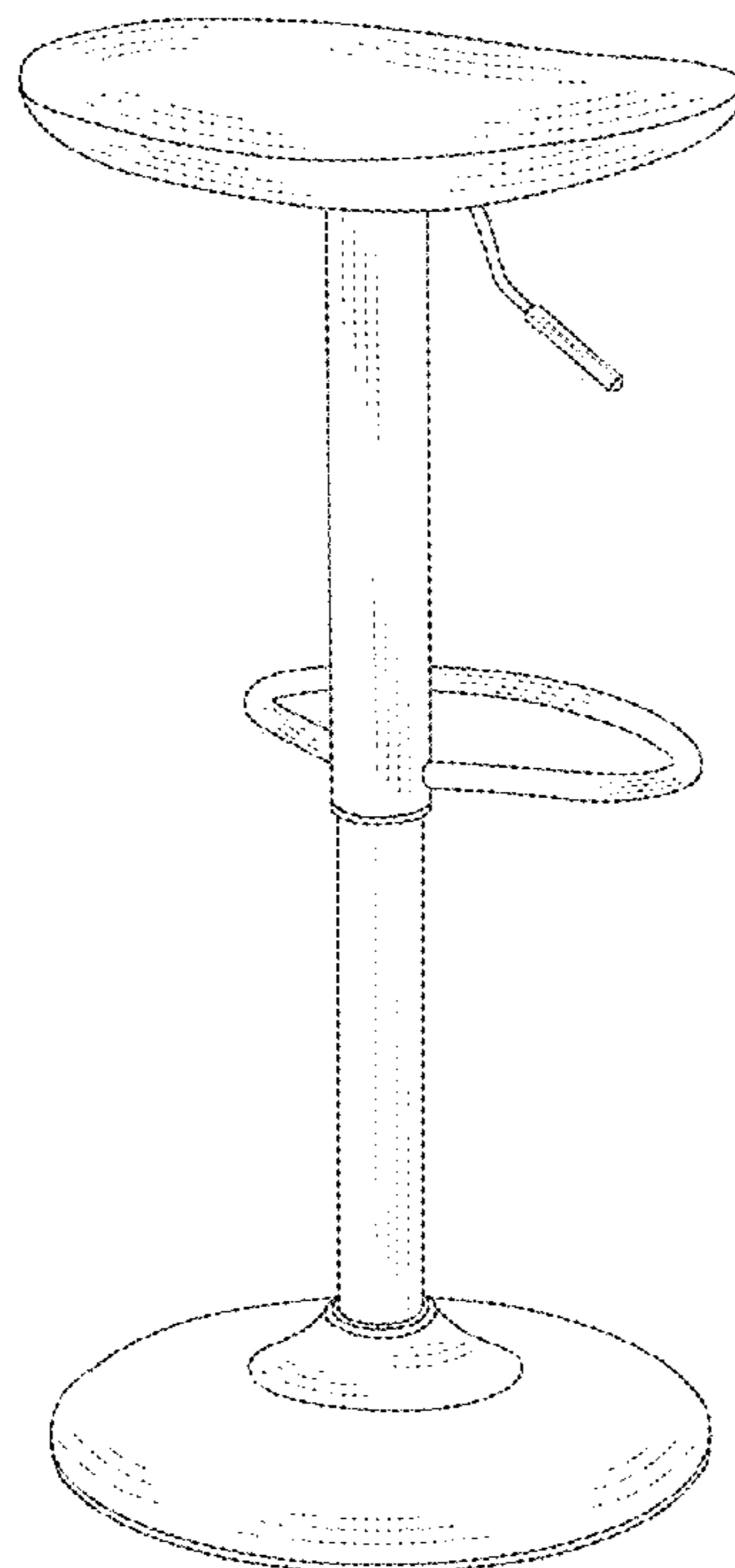
(57) **CLAIM**

The ornamental design for a bar stool, as shown and described.

DESCRIPTION

FIG. 1 is a perspective view of a bar stool design showing my new design.
FIG. 2 is a front view of a bar stool.
FIG. 3 is a rear view of a bar stool.
FIG. 4 is a left side view of a bar stool.
FIG. 5 is a right side view of a bar stool.
FIG. 6 is a top view of a bar stool; and,
FIG. 7 is a bottom view of a bar stool.
The broken lines in the drawings depict portions of the bar stool that form no part of the claimed design.

1 Claim, 7 Drawing Sheets



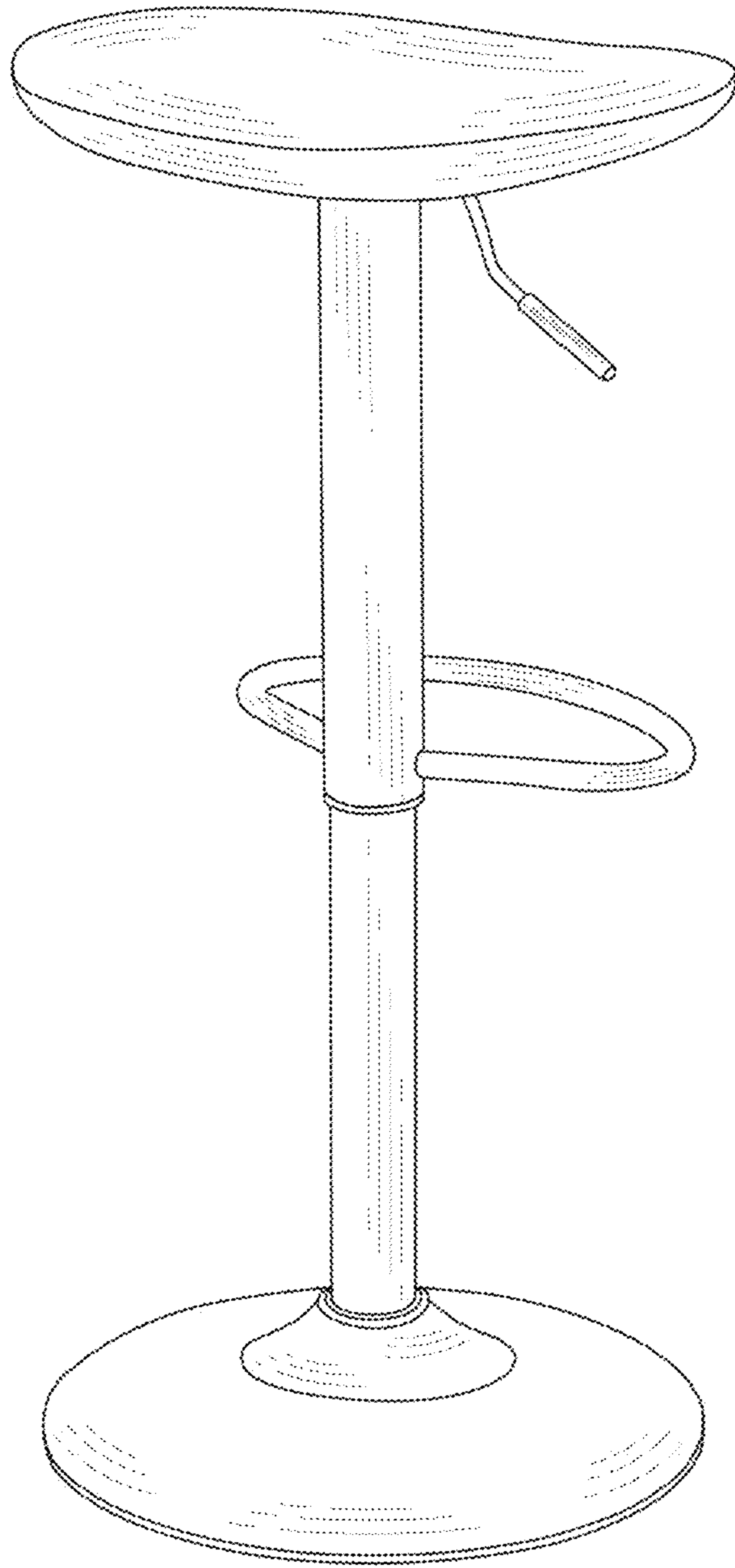


FIG. 1

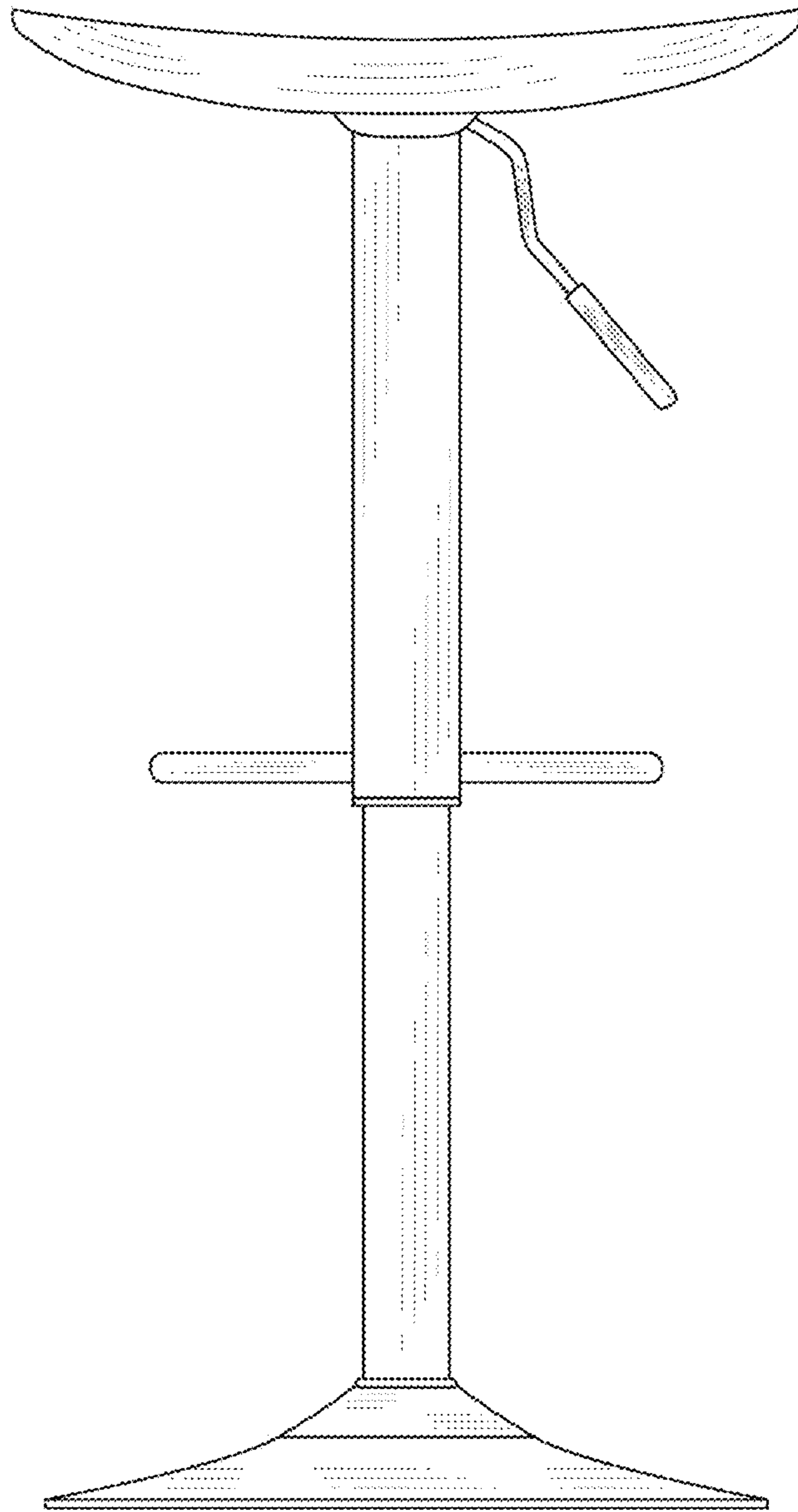


FIG. 2

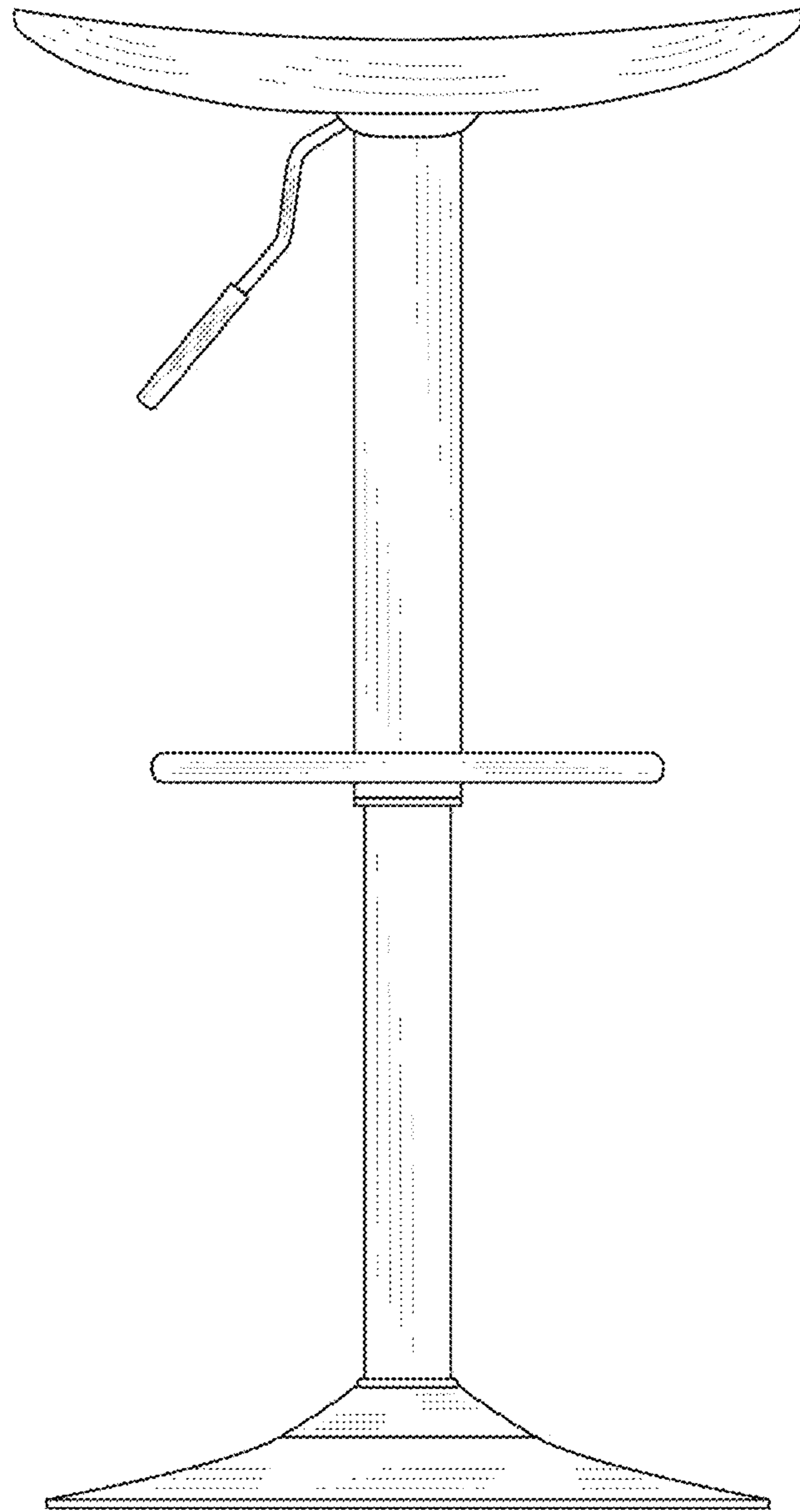


FIG. 3

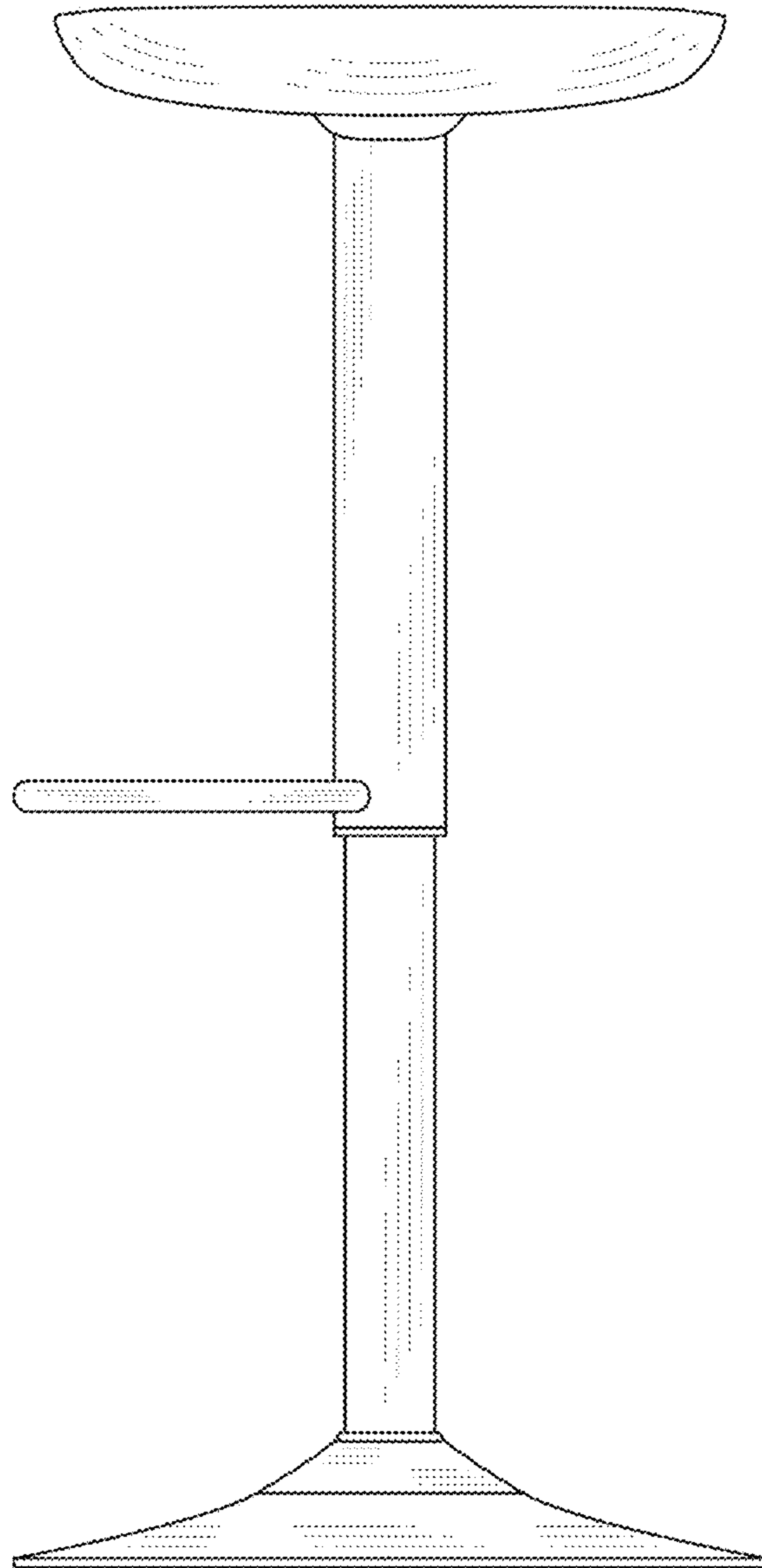


FIG. 4

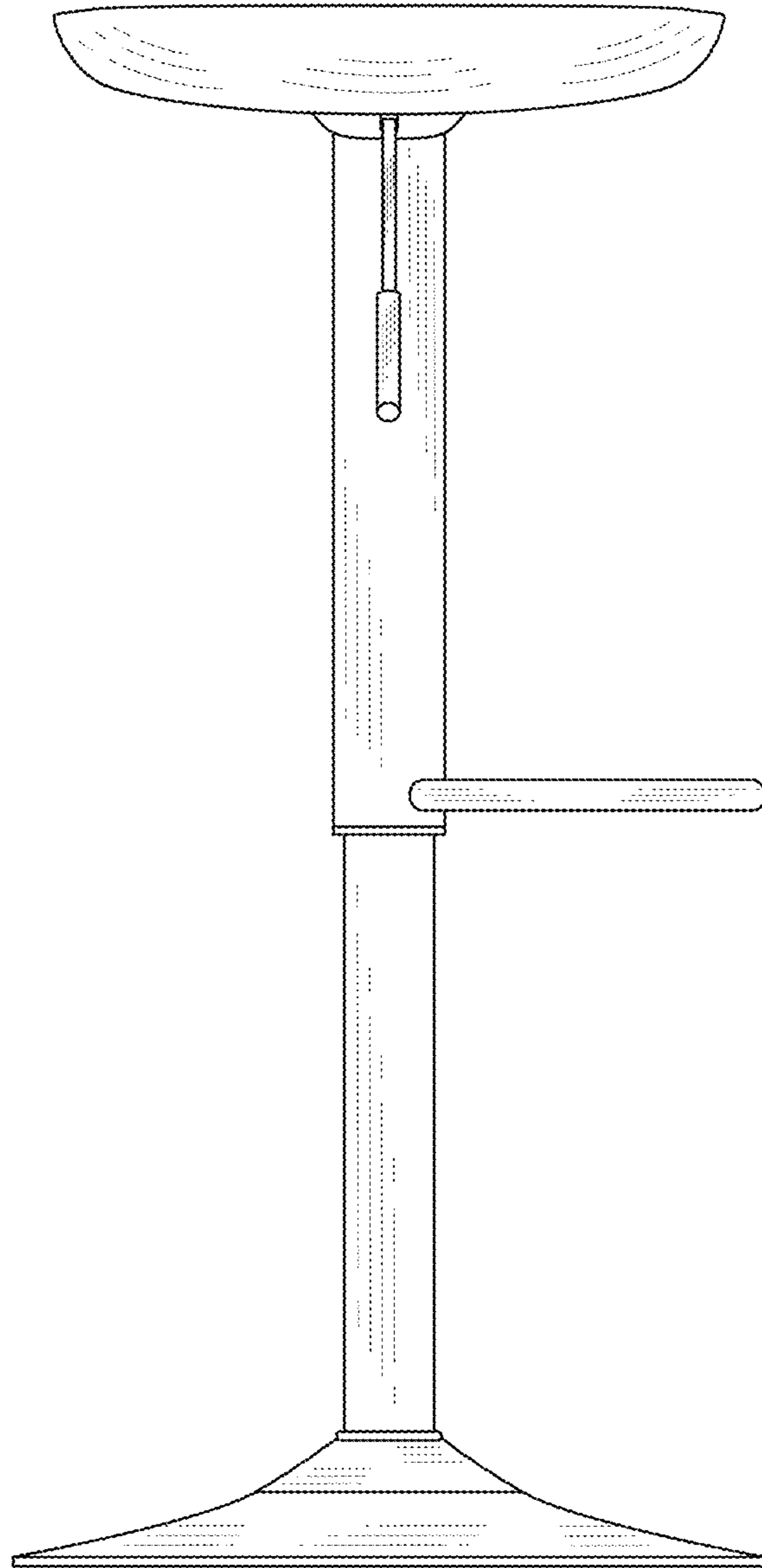


FIG. 5

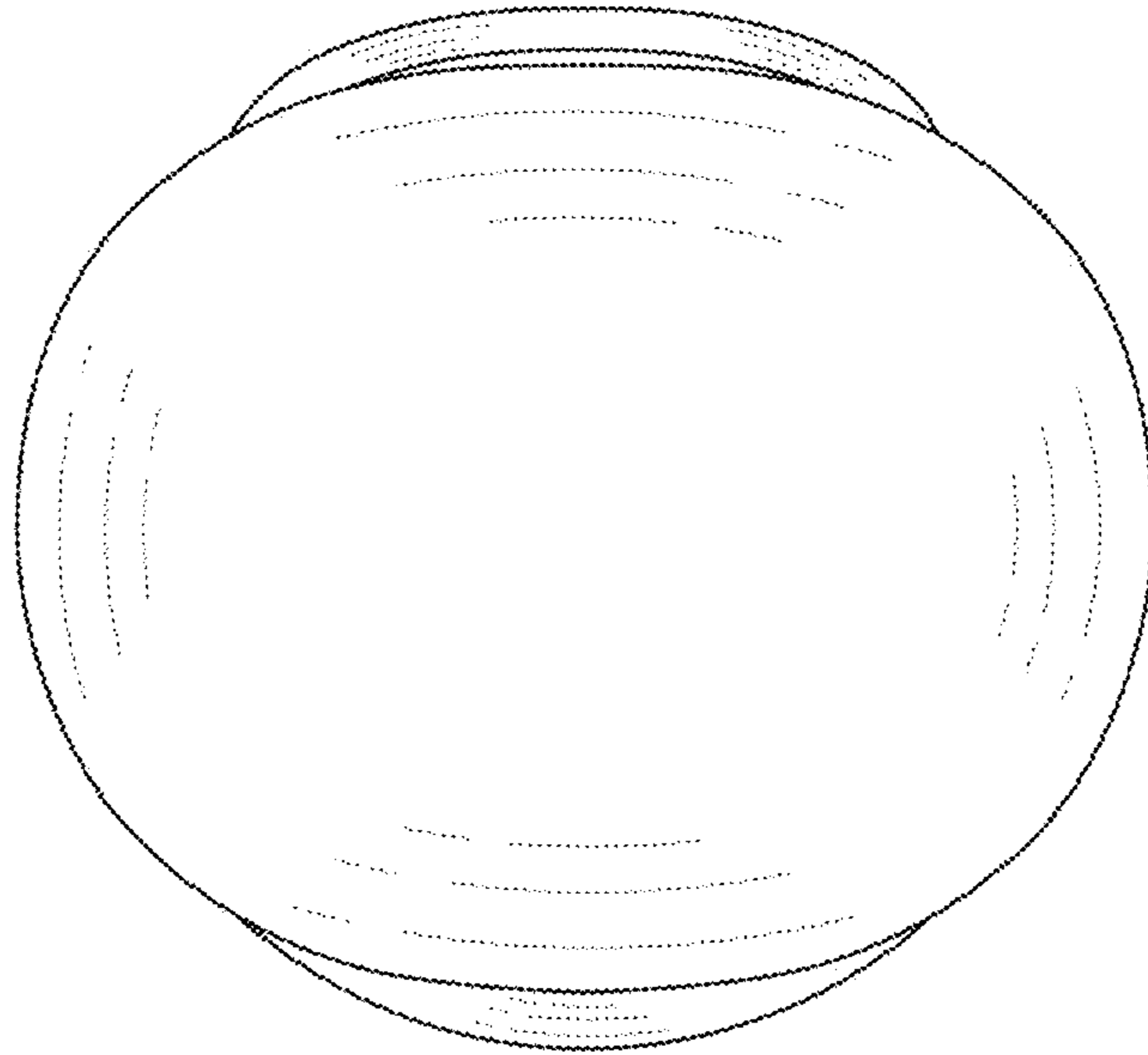


FIG. 6

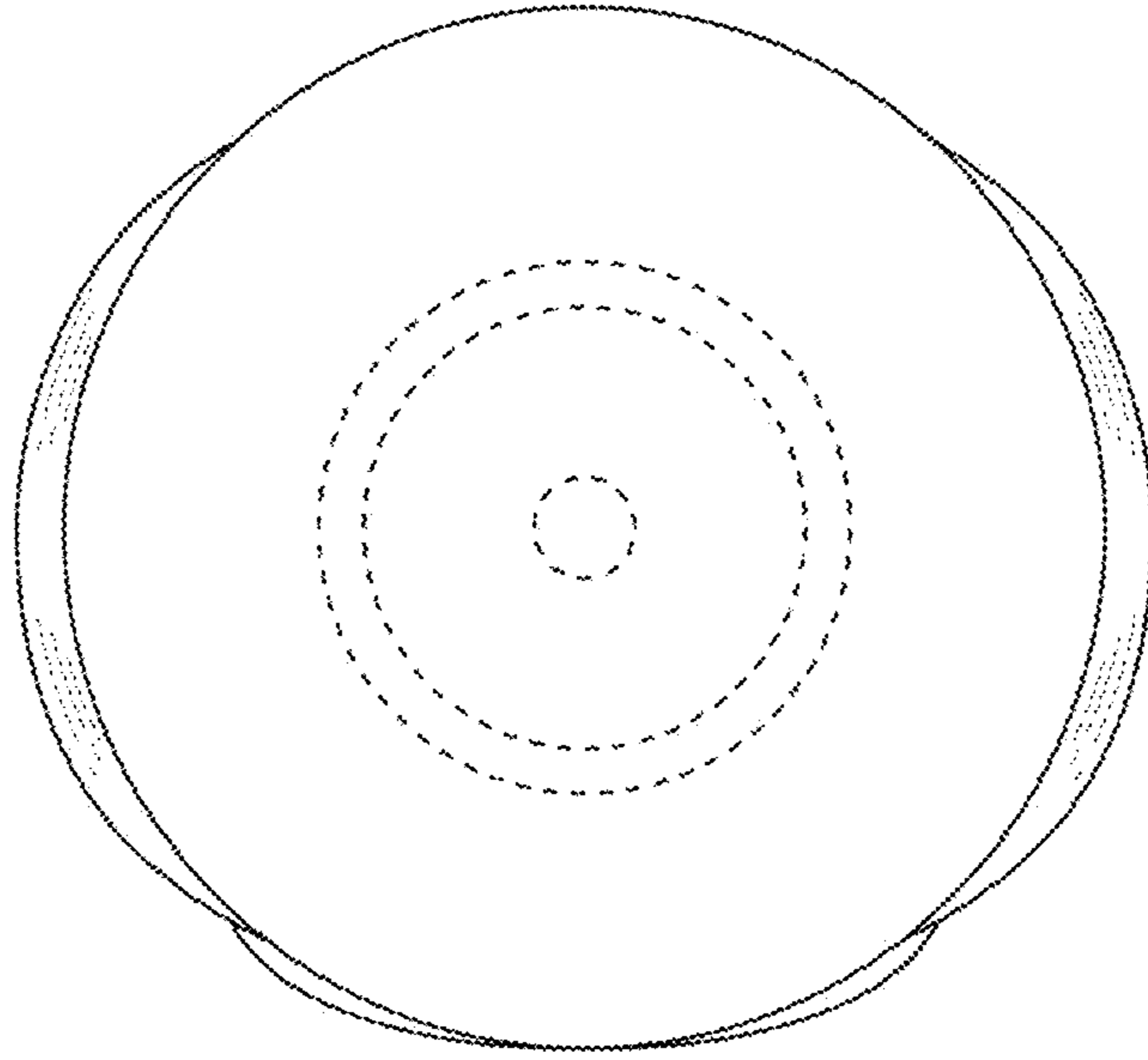


FIG. 7