



US00D989498S

(12) **United States Design Patent** (10) **Patent No.:** **US D989,498 S**  
**Xie** (45) **Date of Patent:** **\*\* Jun. 20, 2023**

(54) **FOOT REST**

(71) Applicant: **Fuyang Xie**, Zhejiang (CN)

(72) Inventor: **Fuyang Xie**, Zhejiang (CN)

(\*\*) Term: **15 Years**

(21) Appl. No.: **29/797,514**

(22) Filed: **Jun. 30, 2021**

(51) **LOC (14) Cl.** ..... **06-01**

(52) **U.S. Cl.**

USPC ..... **D6/349**; D6/348

(58) **Field of Classification Search**

USPC ..... D6/335, 349, 351, 354, 360, 372, 374,  
D6/375, 333, 334, 364, 716.1, 348, 345,  
D6/353, 675, 708.19; D21/818, 130;  
D12/130; D28/57

CPC ..... A63B 23/08; A63B 22/16; A47C 16/025

See application file for complete search history.

(56) **References Cited**

**U.S. PATENT DOCUMENTS**

D254,279 S *	2/1980	Phillips	.....	D6/348
D278,484 S *	4/1985	Duderstadt	.....	D6/348
D288,876 S *	3/1987	Goetz	.....	D6/675
D313,521 S *	1/1991	Hassel	.....	D6/349
5,048,823 A *	9/1991	Bean	.....	A63B 22/18 482/146
D341,031 S *	11/1993	Burkhart	.....	D6/349
5,643,164 A *	7/1997	Teff	.....	A63B 23/08 482/79
D566,976 S *	4/2008	Pattison	.....	D6/349
D648,403 S *	11/2011	Haniffee	.....	D21/688
D946,096 S *	3/2022	Gomes	.....	D21/686
D950,969 S *	5/2022	Lin	.....	D6/349

**OTHER PUBLICATIONS**

OPTP The Original Wooden Uniplane Rocker, available in Amazon.com, date first available Nov. 28, 2009 [online], Retrieved on Mar. 22, 2023 from URL: <https://www.amazon.com/OPTP-Original-Wooden-Uniplane-Rocker/dp/B002C9KT5S> (Year: 2009).\*

Square Wood Wobble Balance Trainer by Trademark Innovations, available in Amazon.com.au, date first available Jan. 24, 2019 [online], Retrieved on Mar. 17, 2023 from URL: <https://www.amazon.com.au/Trademark-Innovations-Square-Balance-Trainer/dp/B07N31K1YZ/> (Year: 2019).\*

\* cited by examiner

*Primary Examiner* — Vy N Koenig

*Assistant Examiner* — Michelle M Reeves

(74) *Attorney, Agent, or Firm* — ScienBiziP, P.C.

(57) **CLAIM**

The ornamental design for a foot rest, as shown and described.

**DESCRIPTION**

FIG. 1 is a front, right, and top perspective view of a foot rest, showing my design.

FIG. 2 is a rear, left, and bottom perspective view thereof.

FIG. 3 is a front elevation view thereof.

FIG. 4 is a rear elevation view thereof.

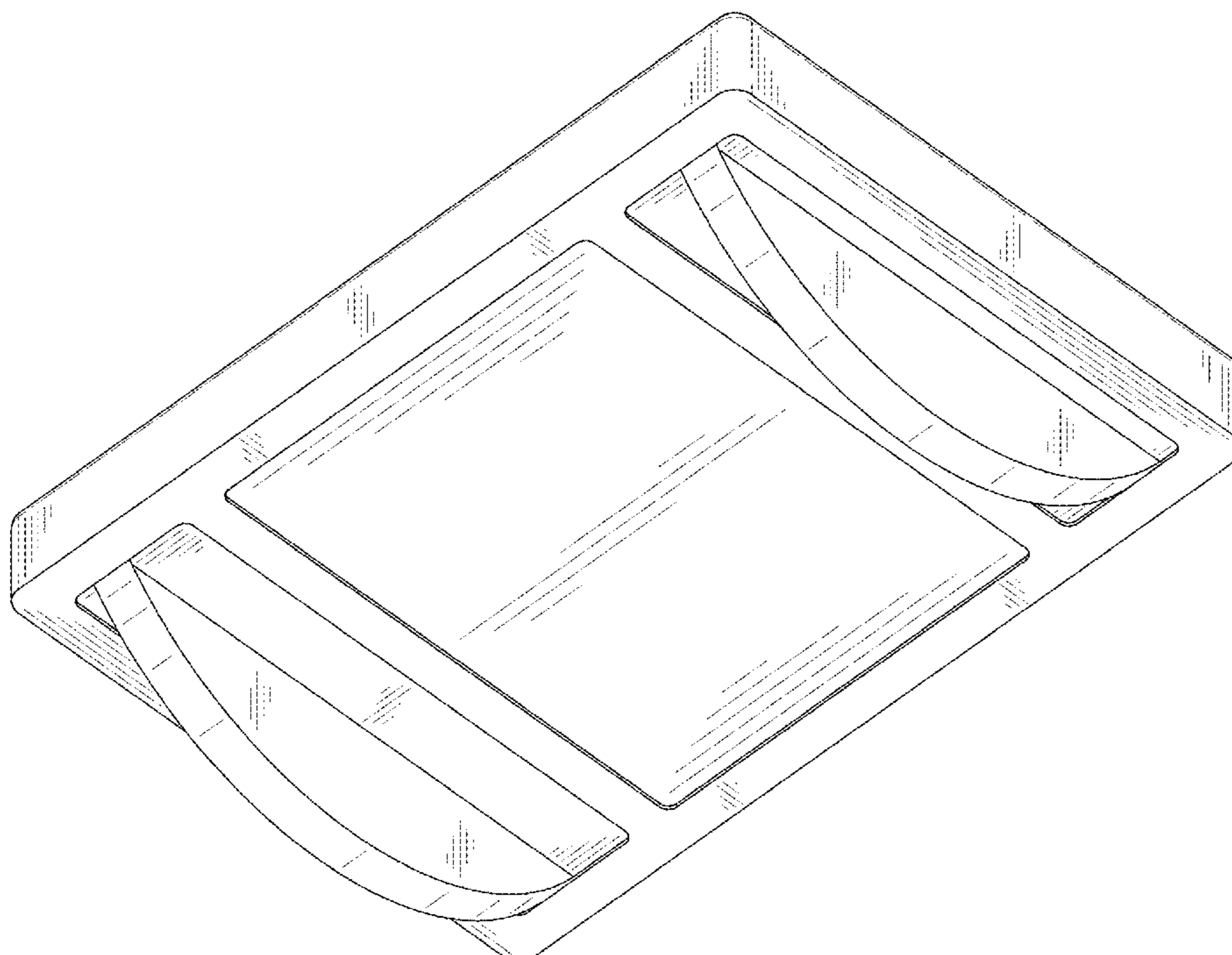
FIG. 5 is a left side elevation view thereof.

FIG. 6 is a right side elevation view thereof.

FIG. 7 is a top plan view thereof; and,

FIG. 8 is a bottom plan view thereof.

**1 Claim, 8 Drawing Sheets**



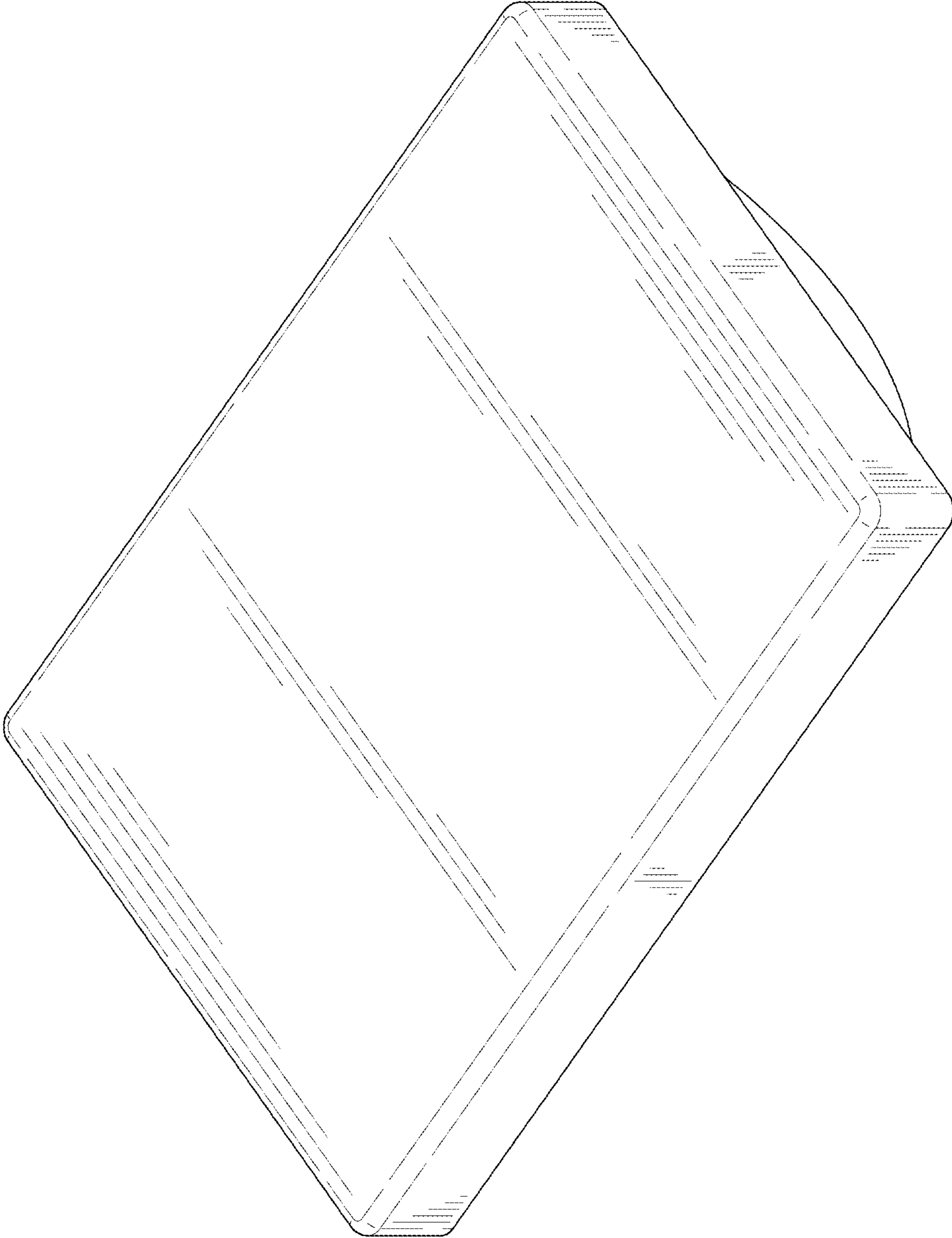


FIG. 1

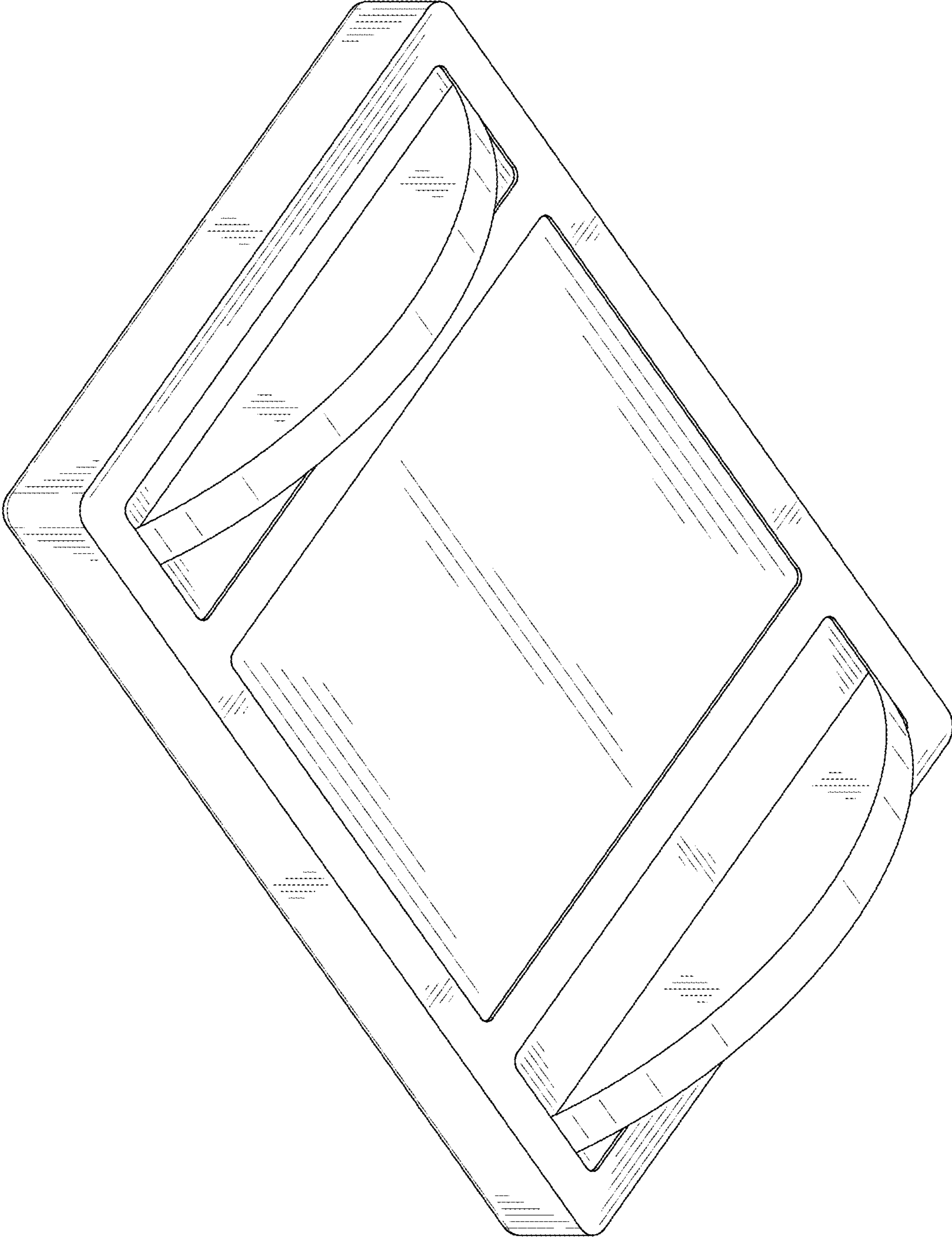


FIG. 2

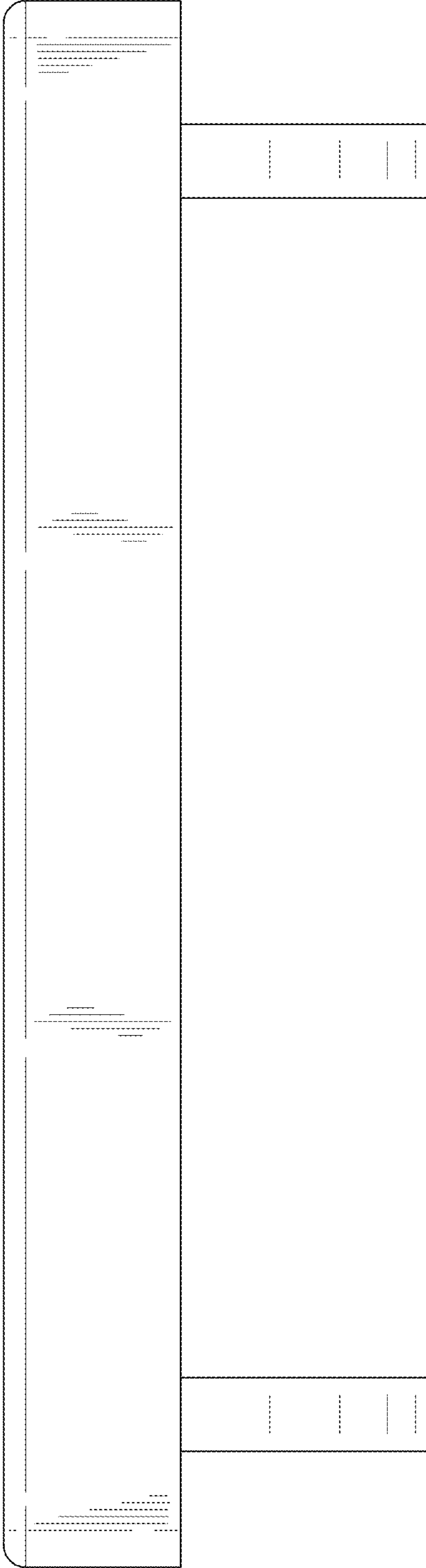


FIG. 3

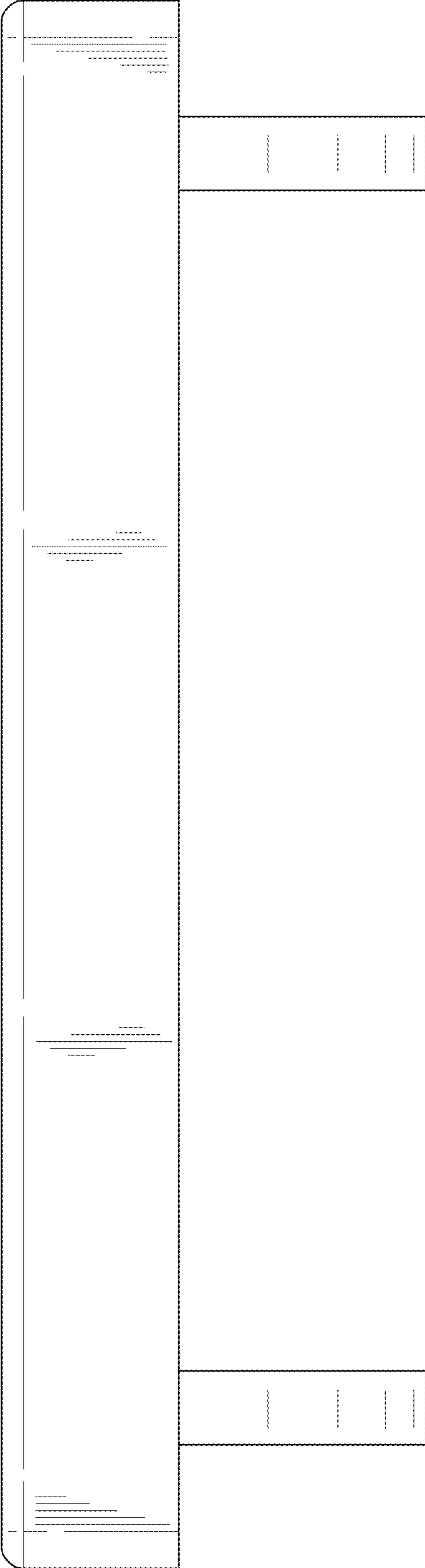


FIG. 4

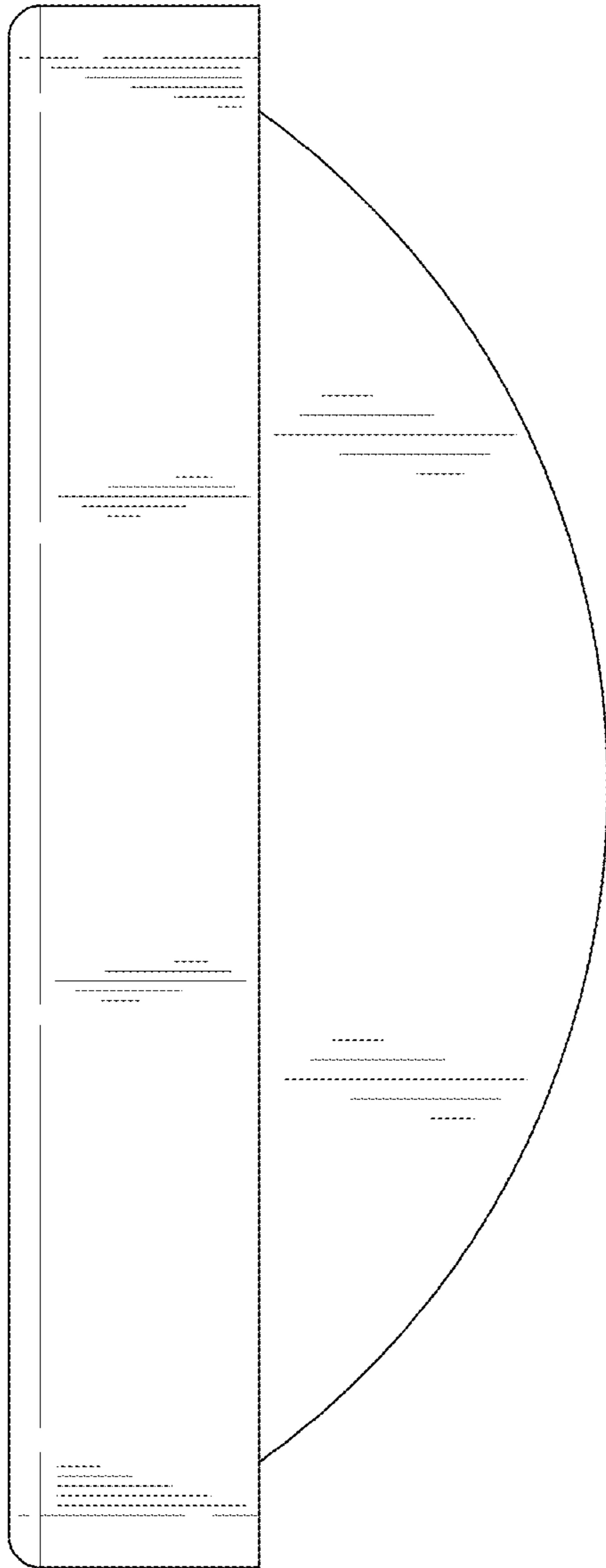


FIG. 5



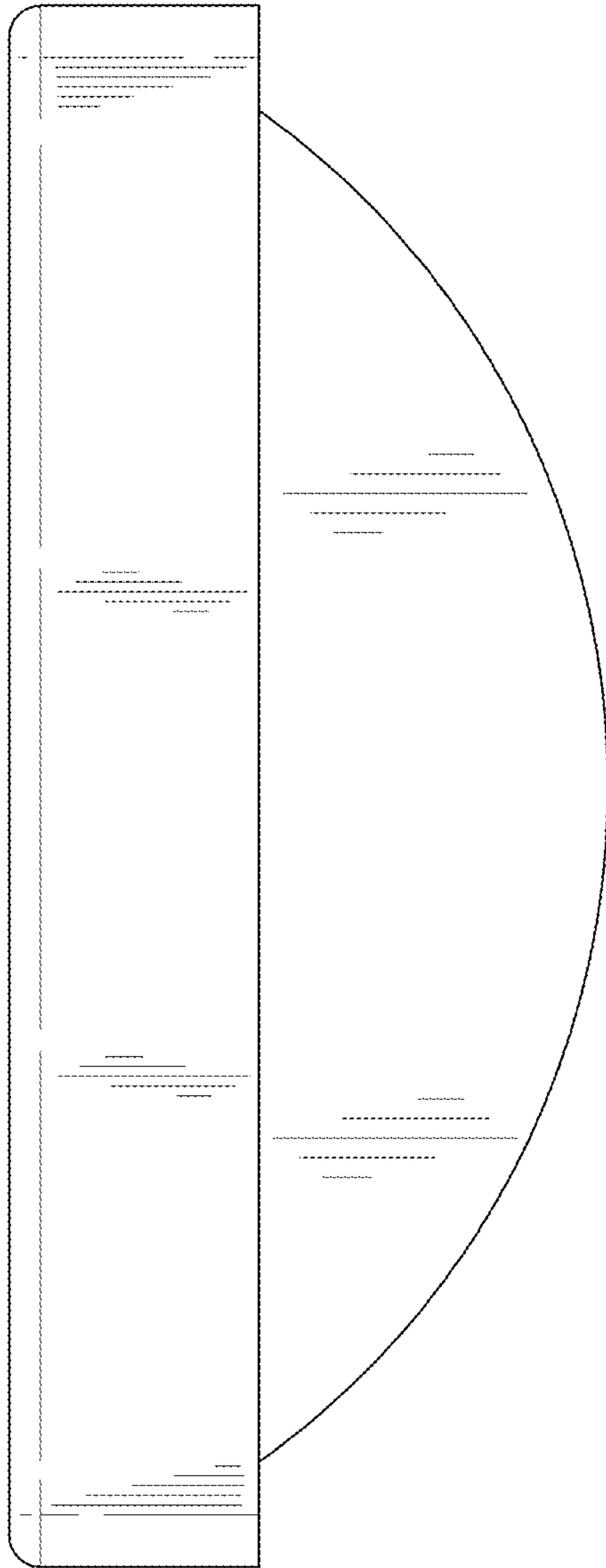


FIG. 6

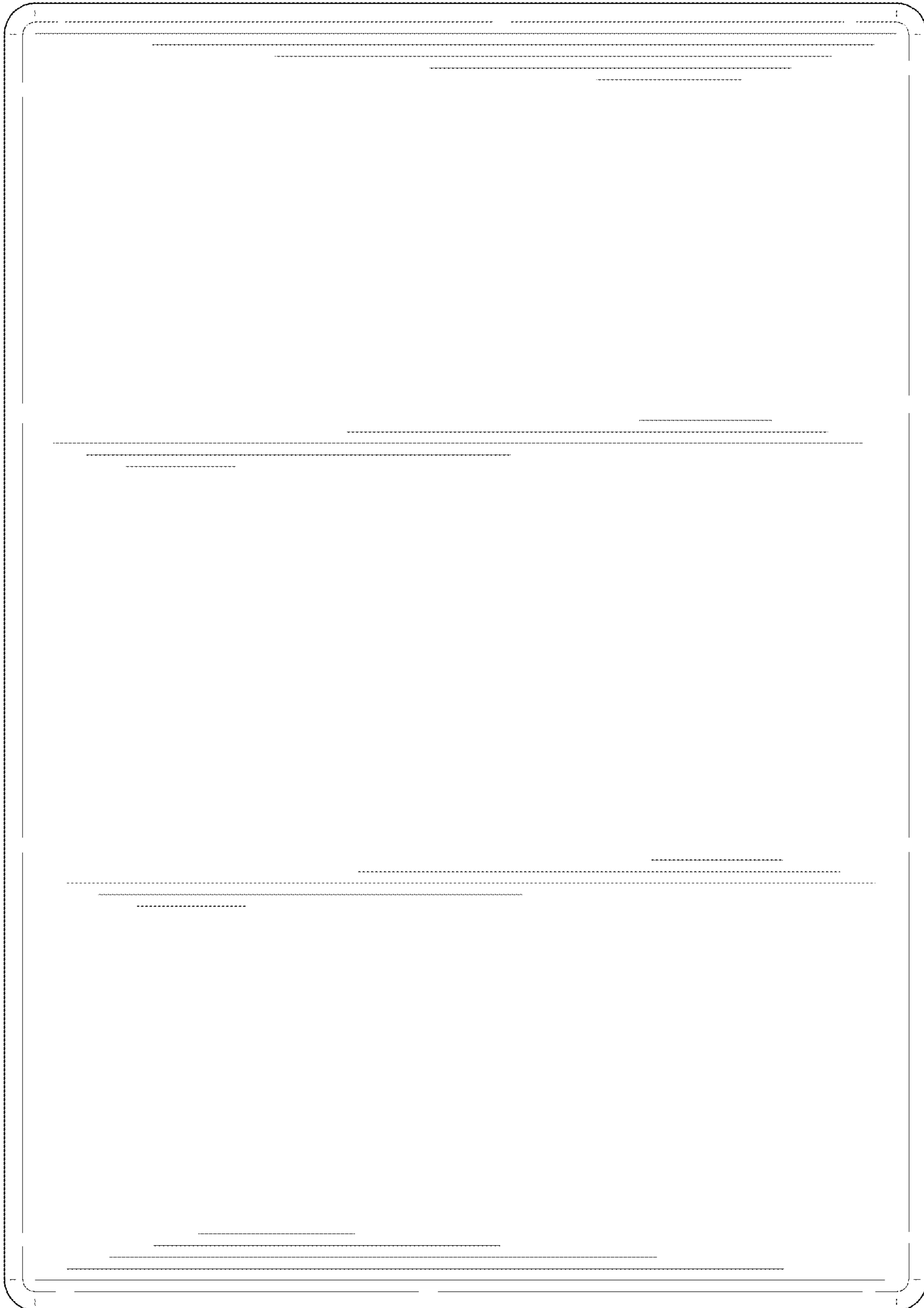


FIG. 7



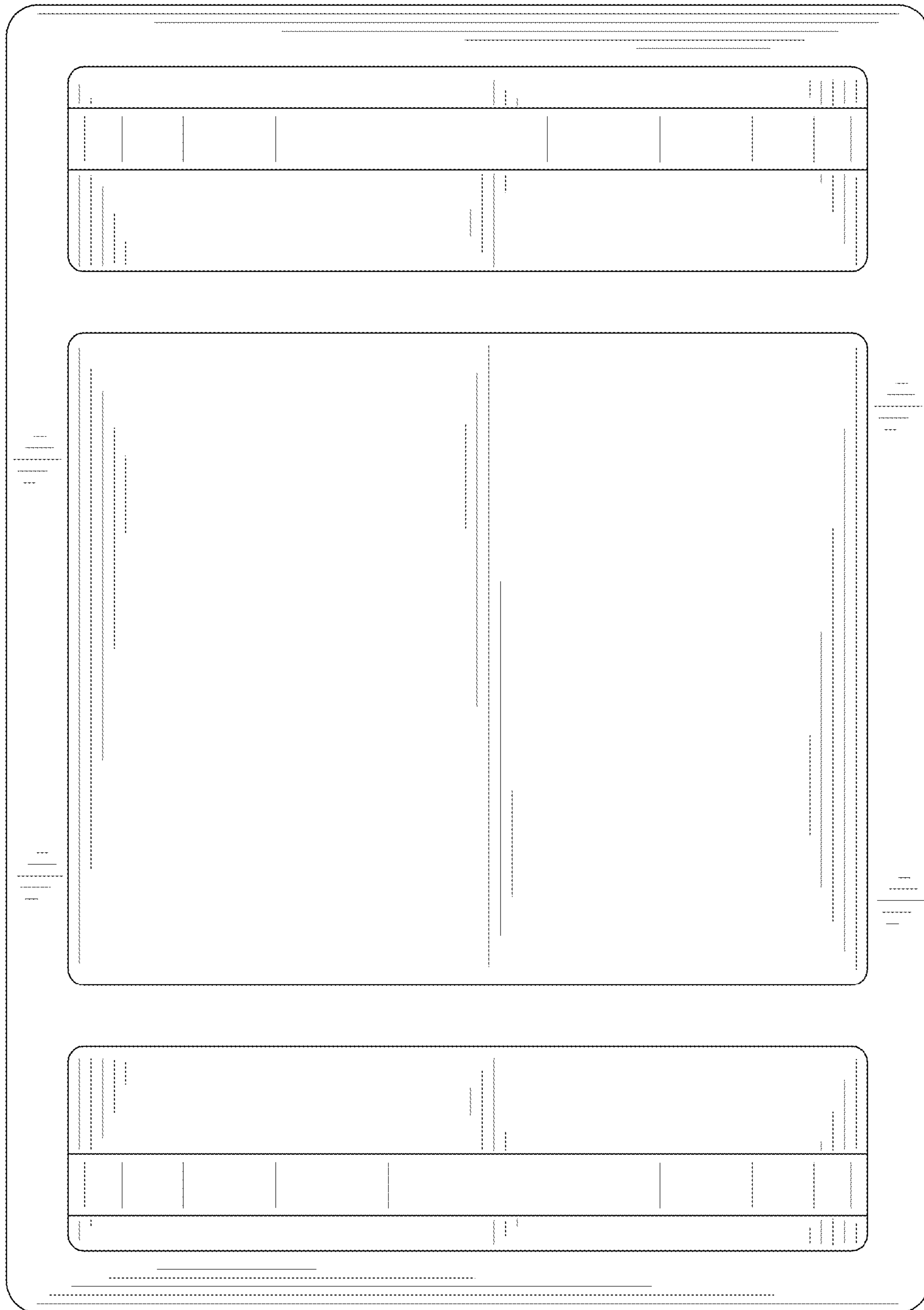


FIG. 8