



US00D989497S

(12) **United States Design Patent**
Dawson

(10) **Patent No.:** **US D989,497 S**
(45) **Date of Patent:** **** Jun. 20, 2023**

- (54) **HEALTHCARE GLASSBOARD**
- (71) Applicant: **Dony Dawson**, Dallas, TX (US)
- (72) Inventor: **Dony Dawson**, Dallas, TX (US)
- (**) Term: **15 Years**
- (21) Appl. No.: **29/732,313**
- (22) Filed: **Apr. 23, 2020**
- (51) **LOC (14) Cl.** **06-06**
- (52) **U.S. Cl.**
USPC **D6/714**
- (58) **Field of Classification Search**
USPC D6/699.5, 643, 714
CPC A47F 2009/041; A47F 2010/065; A47B
2021/0076
See application file for complete search history.

D774,339 S * 12/2016 Parshad A47B 3/0803
D6/714
D824,707 S * 8/2018 Yamamoto D6/714
2019/0110614 A1* 4/2019 Charlier A47F 10/06
* cited by examiner

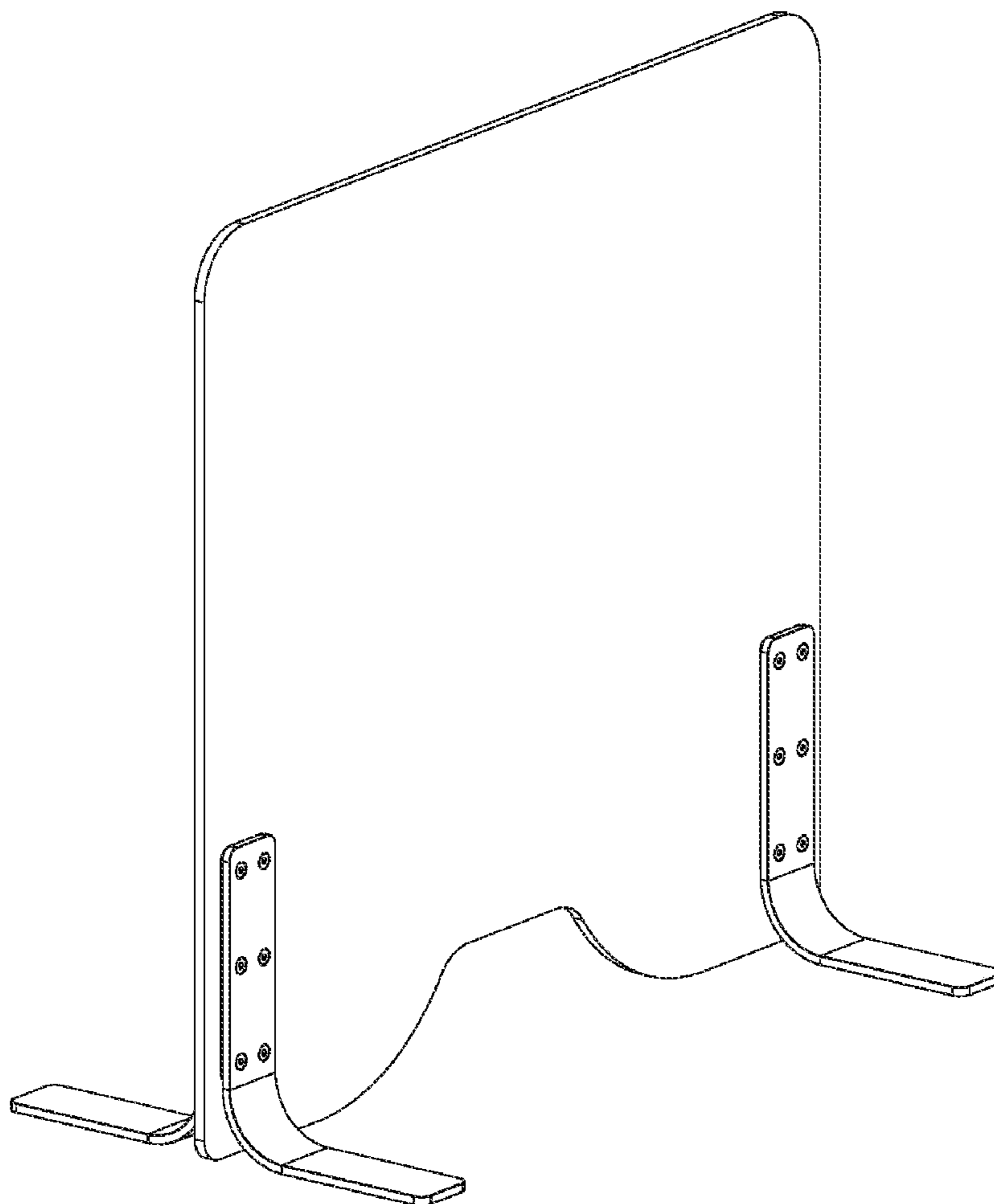
Primary Examiner — Doris Clark
(74) *Attorney, Agent, or Firm* — Leavitt Eldredge Law Firm

- (56) **References Cited**
U.S. PATENT DOCUMENTS
6,588,863 B1 * 7/2003 Yatchak A47B 3/0803
108/147.11
9,161,639 B1 * 10/2015 Hundley A47F 3/007

(57) **CLAIM**
The ornamental design for a healthcare glassboard, as shown and described.

DESCRIPTION
FIG. 1 is an isometric view of a healthcare glassboard according to the present application.
FIG. 2 is an exploded isometric view of the healthcare glassboard; and,
FIG. 3 is an isometric front view of the healthcare glassboard.

1 Claim, 2 Drawing Sheets



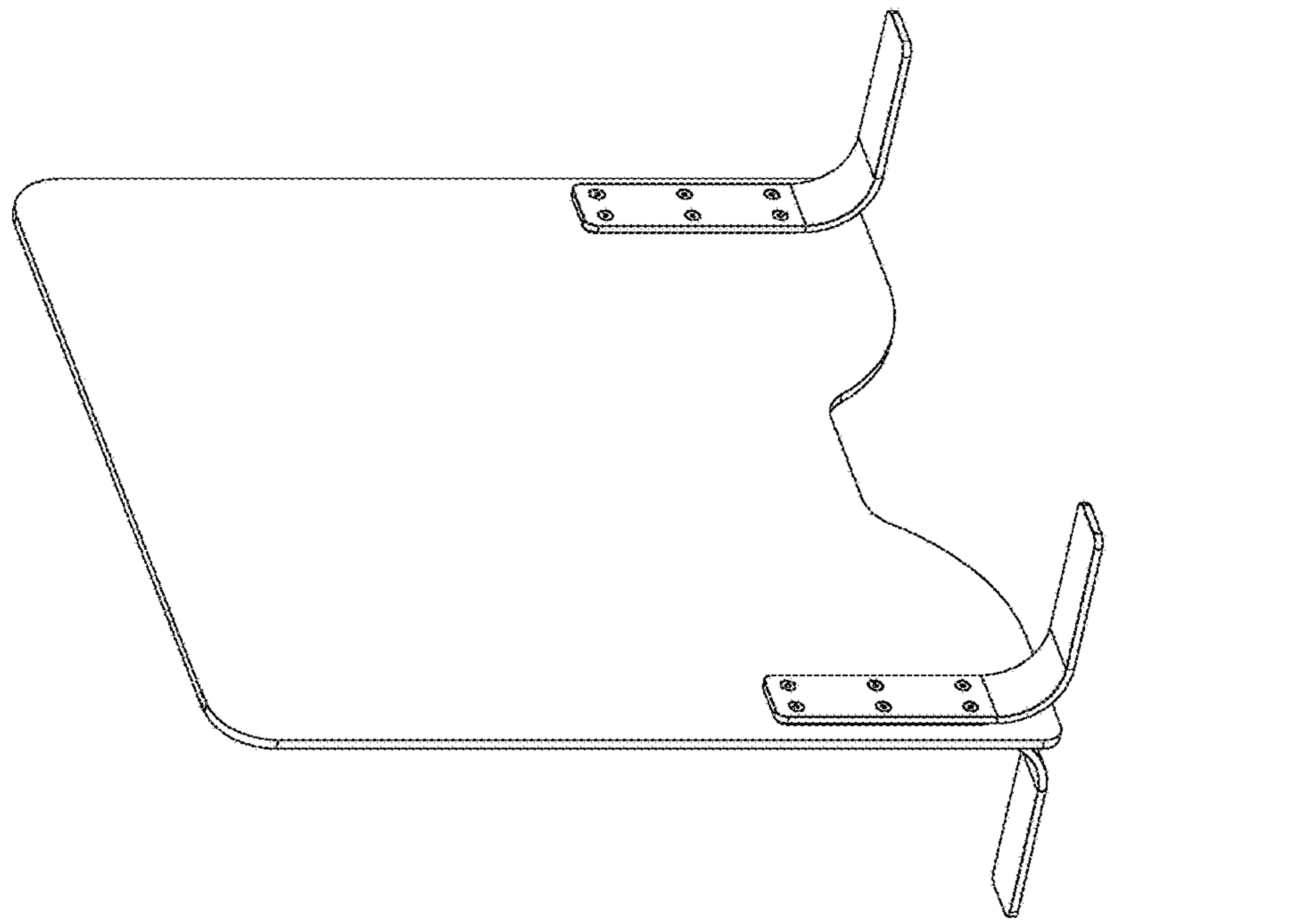


FIG. 1

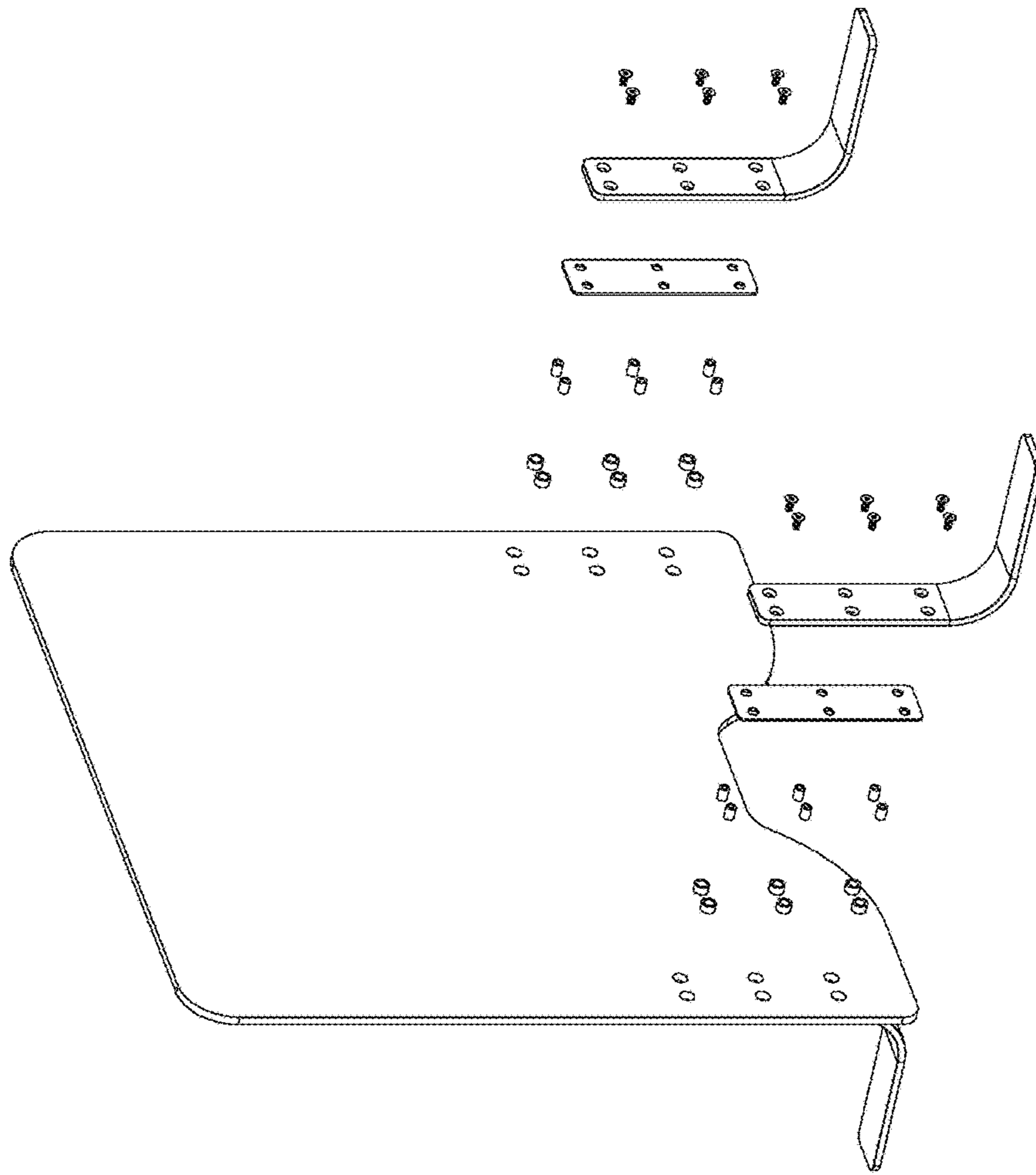


FIG. 2

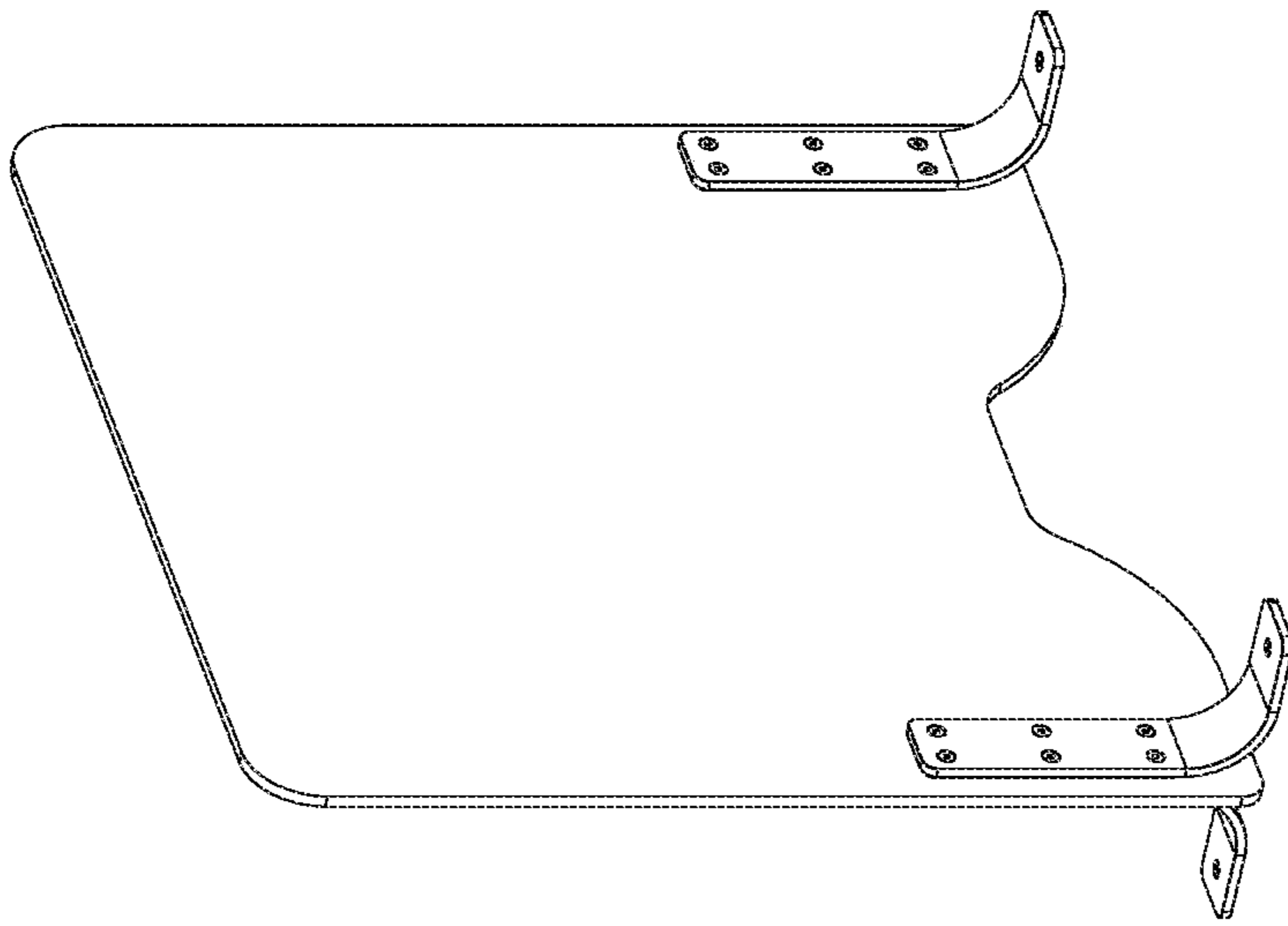


FIG. 3