



US00D989493S

(12) **United States Design Patent**  
**Bennett**

(10) **Patent No.:** **US D989,493 S**  
(45) **Date of Patent:** **\*\* Jun. 20, 2023**

(54) **ICE SCRAPER WITH SNOW BROOM**

(71) Applicant: **HOPKINS MANUFACTURING CORPORATION**, Emporia, KS (US)

(72) Inventor: **Kyle M. Bennett**, Emporia, KS (US)

(73) Assignee: **Hopkins Manufacturing Corporation**, Emporia, KS (US)

(\*\*) Term: **15 Years**

(21) Appl. No.: **29/823,479**

(22) Filed: **Jan. 18, 2022**

**Related U.S. Application Data**

(62) Division of application No. 29/734,698, filed on May 14, 2020, now Pat. No. Des. 942,150.

(51) **LOC (14) Cl.** ..... **04-99**

(52) **U.S. Cl.**  
USPC ..... **D4/118**

(58) **Field of Classification Search**  
USPC ..... D4/100, 102, 116, 117, 118, 121, 122,  
D4/127, 128, 130, 131, 132, 133, 134,  
D4/138; D32/40-42, 46, 49  
(Continued)

(56) **References Cited**

**U.S. PATENT DOCUMENTS**

D388,568 S \* 12/1997 Leonard ..... D32/41  
D417,325 S \* 11/1999 Tintelnot ..... D4/135  
(Continued)

**OTHER PUBLICATIONS**

Astro AI, announced Jan. 2021 [online], [site visited Oct. 12, 2022]. Avail from int, URL: [https://www.amazon.com/AstroAI-Windshield-Extendable-Telescoping-Household/dp/B08SC32J5H/ref=sr\\_1\\_12](https://www.amazon.com/AstroAI-Windshield-Extendable-Telescoping-Household/dp/B08SC32J5H/ref=sr_1_12) (Year: 2021).\*

(Continued)

*Primary Examiner* — Cynthia Ramirez

*Assistant Examiner* — Tamara L Hahn

(74) *Attorney, Agent, or Firm* — Hovey Williams LLP

(57) **CLAIM**

The ornamental design for an ice scraper with snow broom, as shown and described.

**DESCRIPTION**

FIG. 1 is a bottom perspective view of a first embodiment of the ice scraper with snow broom of the present invention; FIG. 2 is a top perspective view of the head of the ice scraper with snow broom of the first embodiment; FIG. 3 is a rear top perspective view of the snow broom head of the ice scraper with snow broom of the first embodiment; FIG. 4 is a front top perspective view of the snow broom head of the ice scraper with snow broom of the first embodiment; FIG. 5 is a rear elevational view of the snow broom head of the ice scraper with snow broom of the first embodiment; FIG. 6 is a top view of the snow broom head of the ice scraper with snow broom of the first embodiment; FIG. 7 is a bottom view of the snow broom head of the ice scraper with snow broom of the first embodiment; FIG. 8 is a right end view of the snow broom head of the ice scraper with snow broom of the first embodiment; FIG. 9 is a left end view of the snow broom head of the ice scraper with snow broom of the first embodiment; FIG. 10 is a front elevational view of the snow broom head of the ice scraper with snow broom of the first embodiment; FIG. 11 is a rear top perspective view of a second embodiment of the ice scraper with snow broom of the present invention; FIG. 12 is a front top perspective view of the head of the ice scraper with snow broom of the second embodiment; FIG. 13 is a rear top perspective view of the snow broom head of the ice scraper with snow broom of the second embodiment; FIG. 14 is a front top perspective view of the snow broom head of the ice scraper with snow broom of the second embodiment;

(Continued)

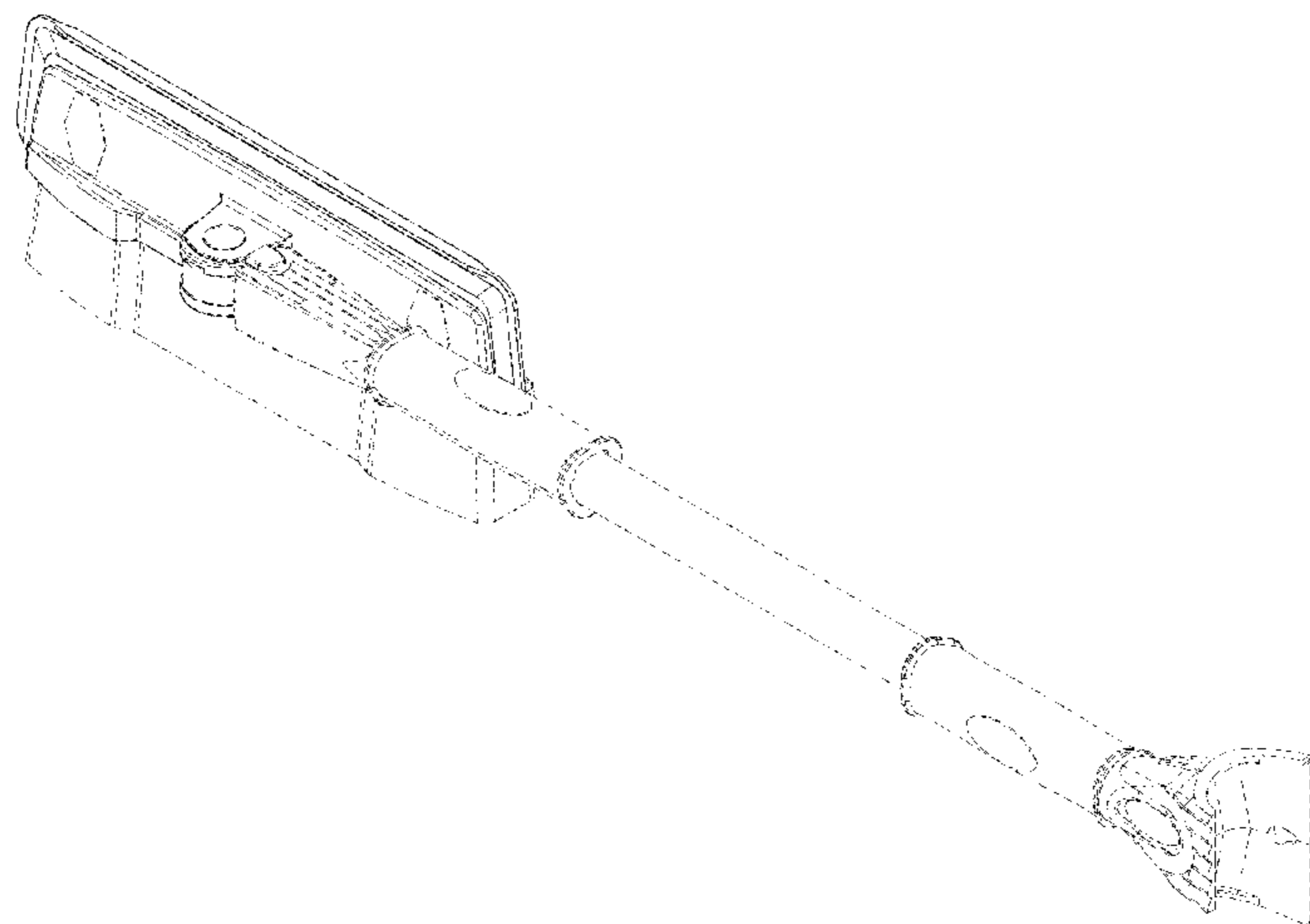


FIG. 15 is a rear elevational view of the snow broom head of the ice scraper with snow broom of the second embodiment;

FIG. 16 is a top view of the snow broom head of the ice scraper with snow broom of the second embodiment;

FIG. 17 is a bottom view of the snow broom head of the ice scraper with snow broom of the second embodiment;

FIG. 18 is a right end view of the snow broom head of the ice scraper with snow broom of the second embodiment;

FIG. 19 is a left end view of the snow broom head of the ice scraper with snow broom of the second embodiment; and,

FIG. 20 is a front elevational view of the snow broom head of the ice scraper with snow broom of the second embodiment.

The broken lines shown in the figures depict portions of the ice scraper with snow broom that form no part of the claimed design.

**1 Claim, 17 Drawing Sheets**

(58) **Field of Classification Search**

CPC ... A47L 13/12; A47L 13/022; A46B 15/0081;  
A46B 15/0055; A46B 2200/302; A46B  
2200/3046

See application file for complete search history.

(56) **References Cited**

U.S. PATENT DOCUMENTS

D441,198 S	5/2001	Primeau
D484,655 S	12/2003	Anderson et al.
D485,032 S	1/2004	Anderson et al.
D501,726 S	2/2005	Liu
D501,727 S	2/2005	Liu
D564,230 S	3/2008	Schouten

7,832,955 B1	11/2010	Leffew et al.	
D652,218 S	1/2012	Hoffelner	
D675,799 S *	2/2013	Beij .....	D32/40
9,107,490 B2	8/2015	Lafleur et al.	
D750,380 S	3/2016	Blouin et al.	
9,345,314 B2	5/2016	Henningsen	
D831,360 S	10/2018	Bennett	
D834,327 S	11/2018	Tschopp	
D834,328 S	11/2018	Thompson	
D834,829 S	12/2018	Thompson	
D838,493 S	1/2019	Thuma et al.	
D913,698 S	3/2021	Bennett	
D918,592 S	5/2021	Tang	
D925,234 S *	7/2021	Waxman .....	D4/118
D930,310 S *	9/2021	Aguiar .....	D32/52
D942,150 S *	2/2022	Bennett .....	D4/118
D955,755 S *	6/2022	Wang .....	D4/118
2004/0250365 A1 *	12/2004	Anderson .....	A47L 13/12 15/245

OTHER PUBLICATIONS

Waeytz, announced Aug. 2022 [online], [site visited Oct. 12, 2022]. Avail from int, URL: [https://www.amazon.com/Scrapers-Windshield-Squeegee-Extendable-Ergonomic/dp/B0B9M7J276/ref=sr\\_1\\_3\\_sspa](https://www.amazon.com/Scrapers-Windshield-Squeegee-Extendable-Ergonomic/dp/B0B9M7J276/ref=sr_1_3_sspa) (Year: 2022).\*

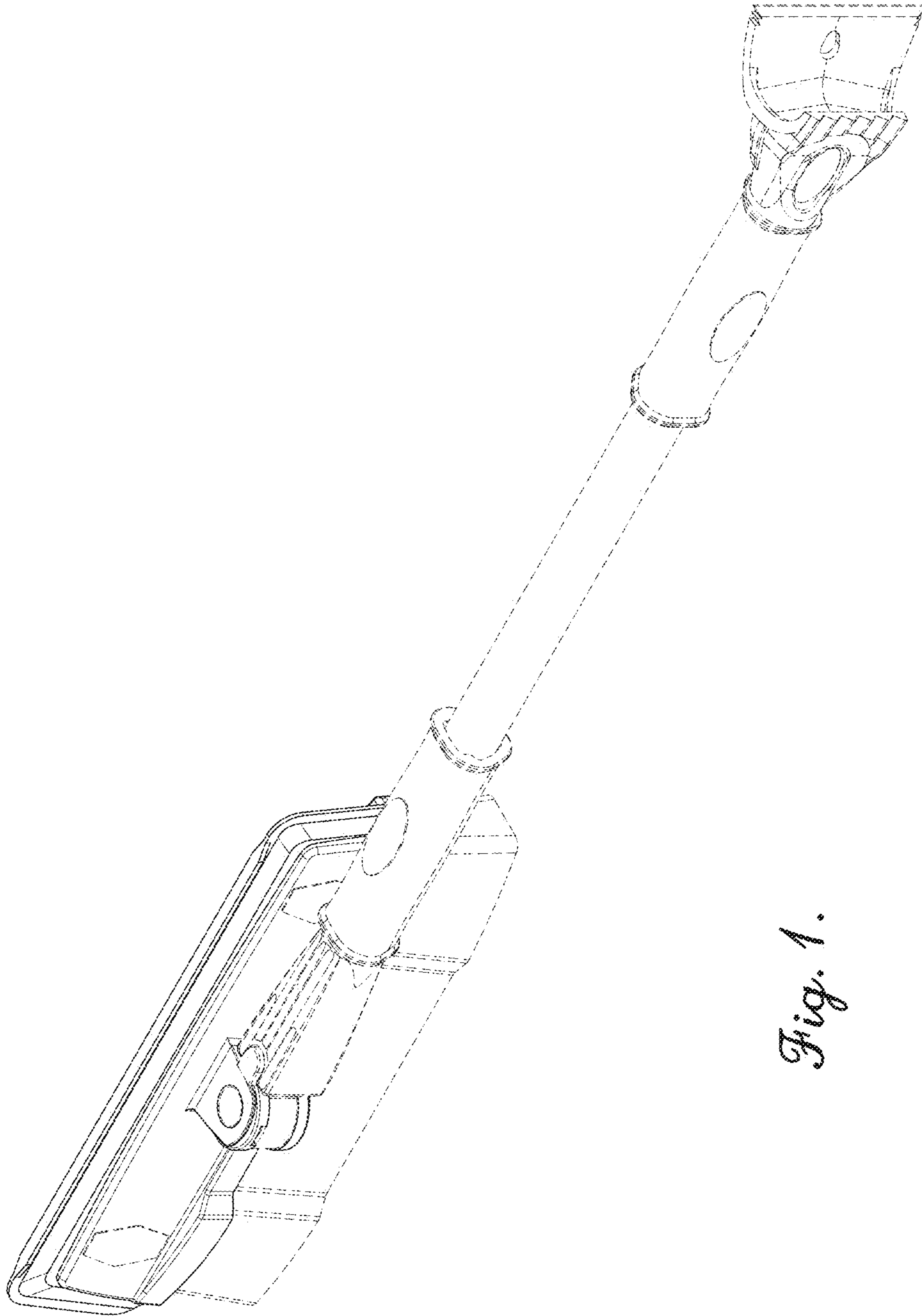
Superio Brush, announced 2021 [online], [site visited Jul. 14, 2021]. Available from internet, URL: <https://www.superiobrand.com/products/extendable-snow-brush-with-ice-scraper-and-squeegee> (Year: 2021).

Lowes Folding Brush, announced Jan. 2014 [online], [site visited Jul. 14, 2021]. Available from internet, URL: <https://www.lowes.com/pd/Hopkins-52-in-L-Plastic-Ice-Scraper/3349432> (Year: 2014).

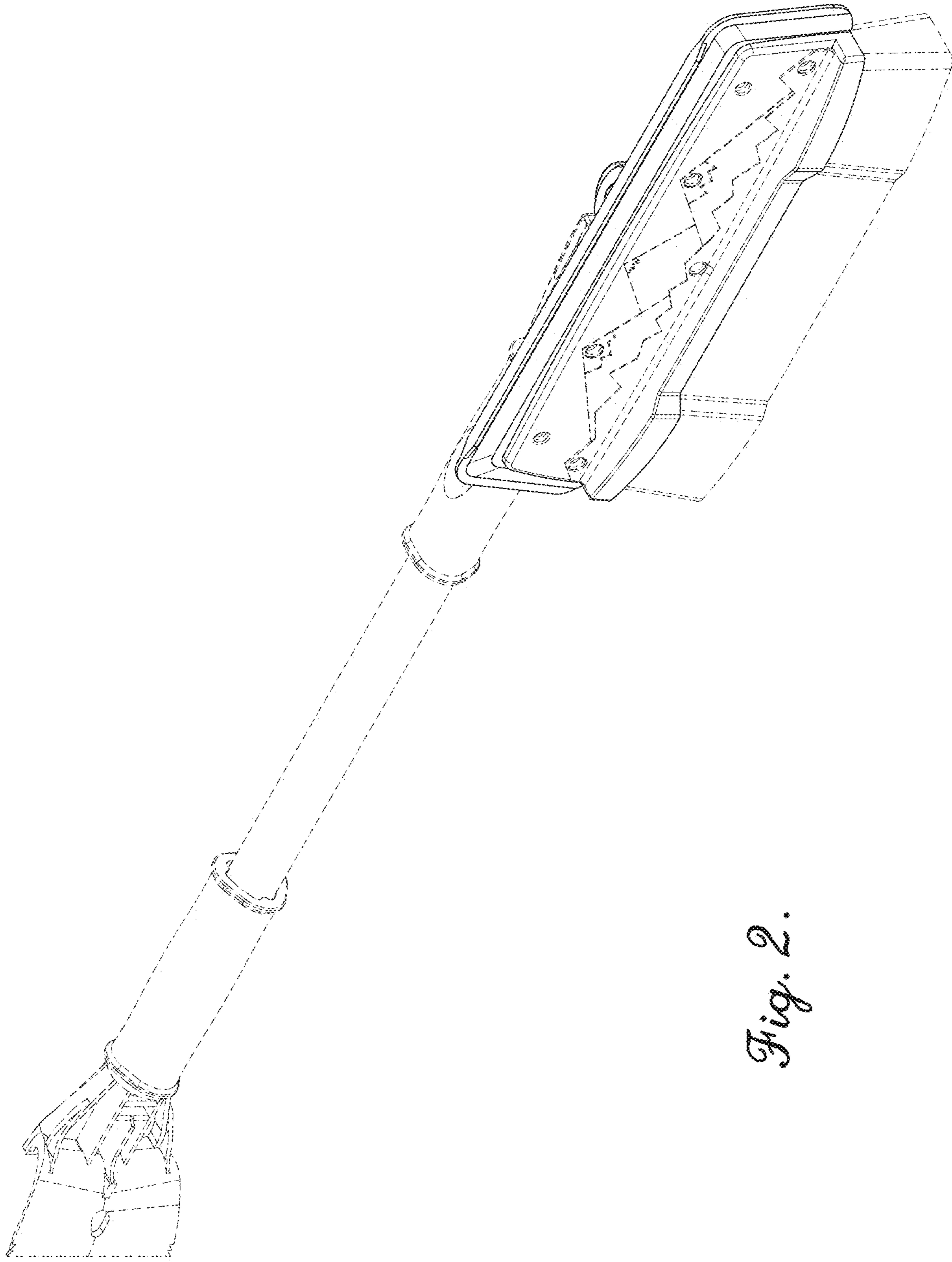
Amazon—Hopkins Subzero 80052 52" Extension Quick-Release Handle Ice Scraper and Pivoting Snow Broom (First available Apr. 1, 2016) <<https://www.amazon.ca/Subzero-80052-Extension-Quick-Release-Pivoting/dp/B0006SNLN4>>.

Canadian Examination Report in related application No. 199351 dated Aug. 18, 2022, 4 pages.

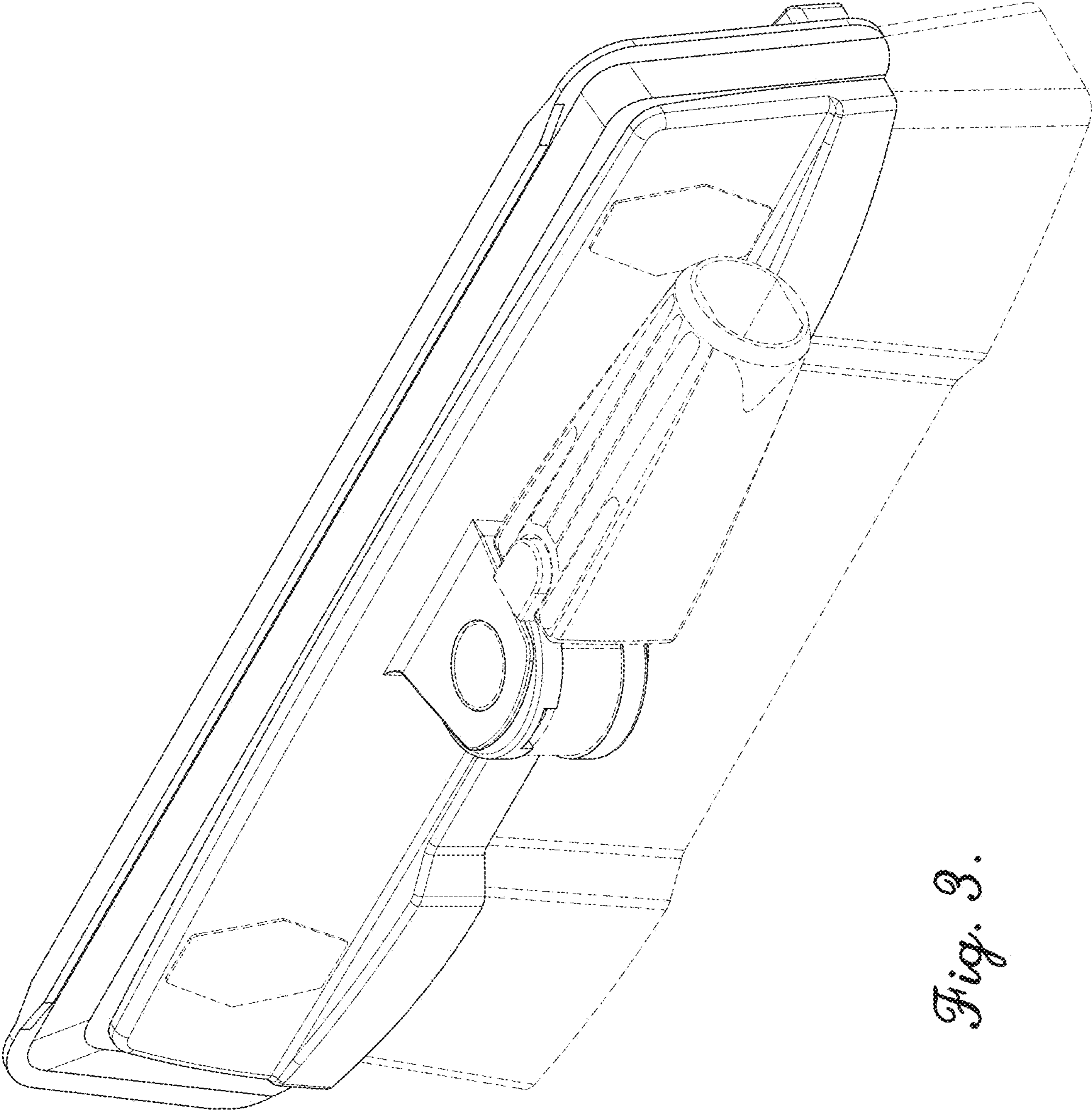
\* cited by examiner



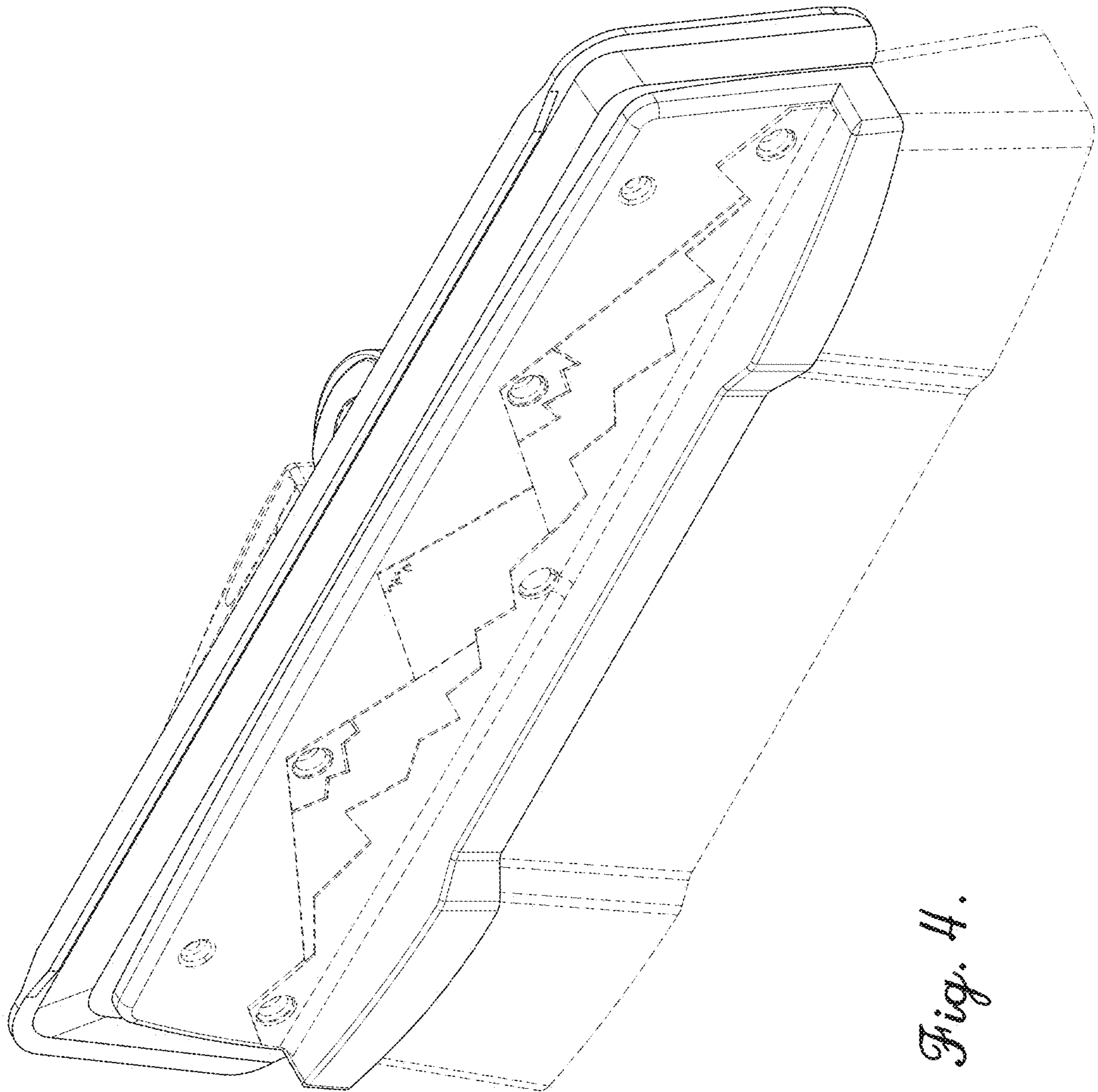
*Fig. 1.*



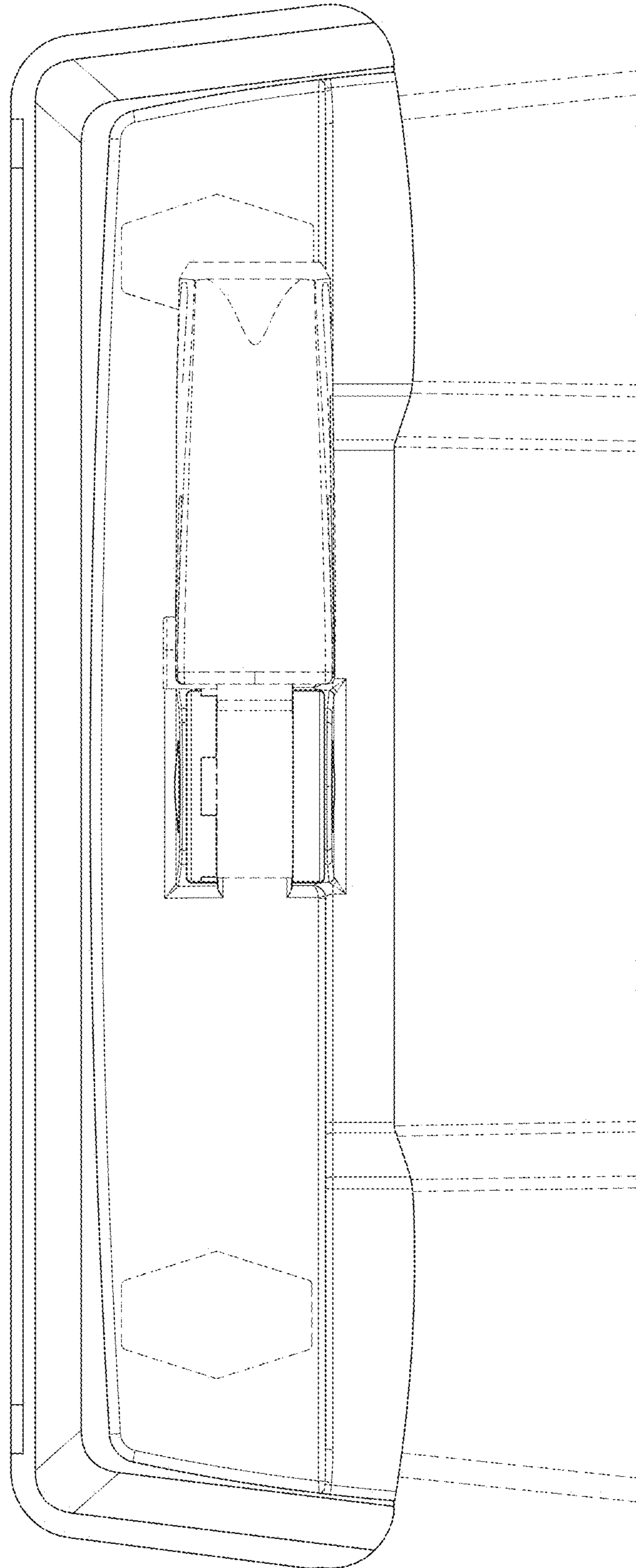
*Fig. 2.*



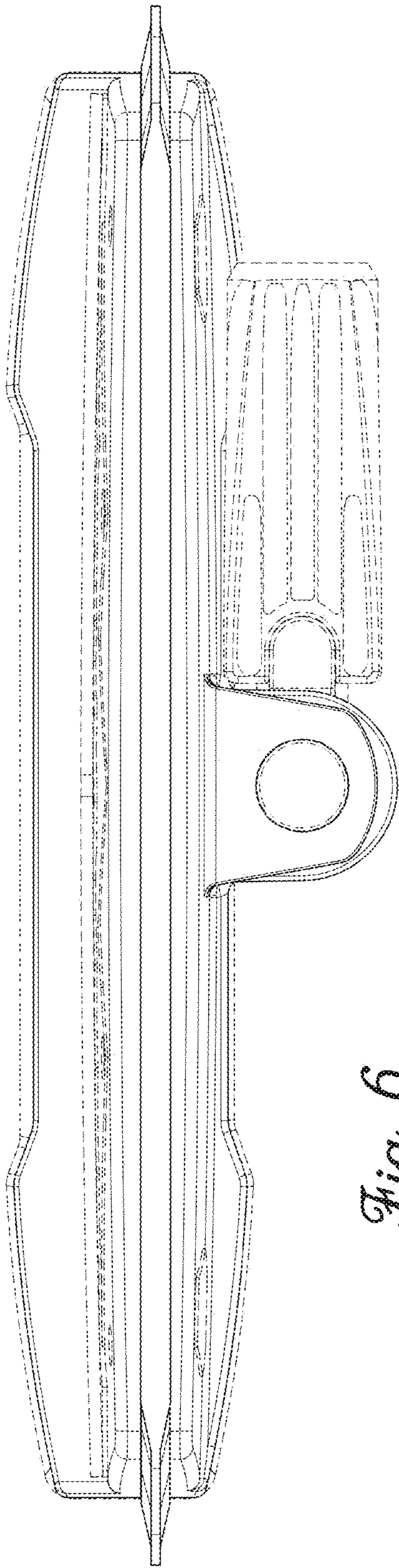
*Fig. 3.*



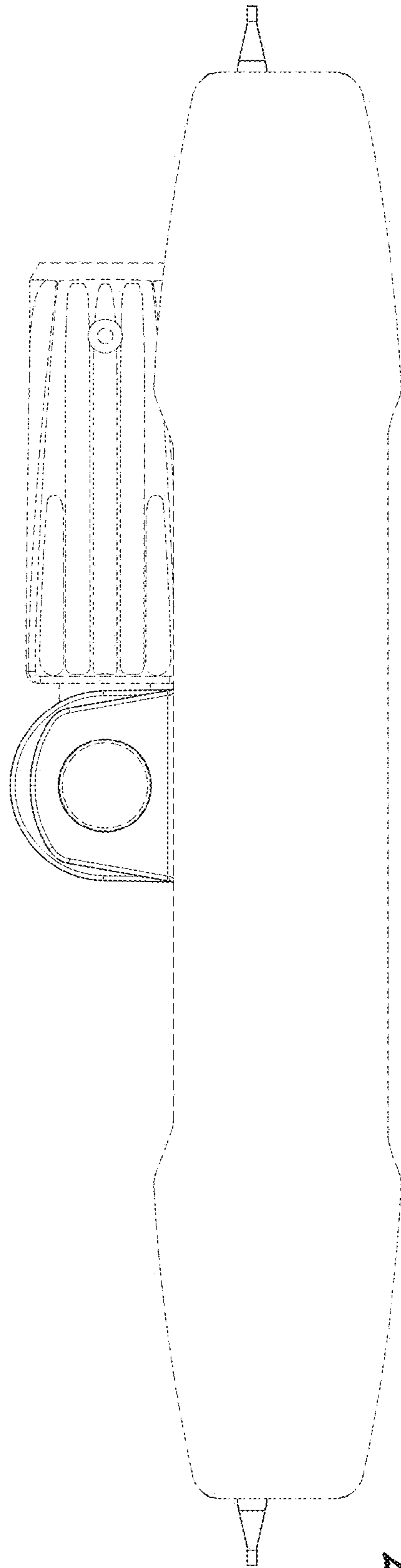
*Fig. 4.*



*Fig. 5.*

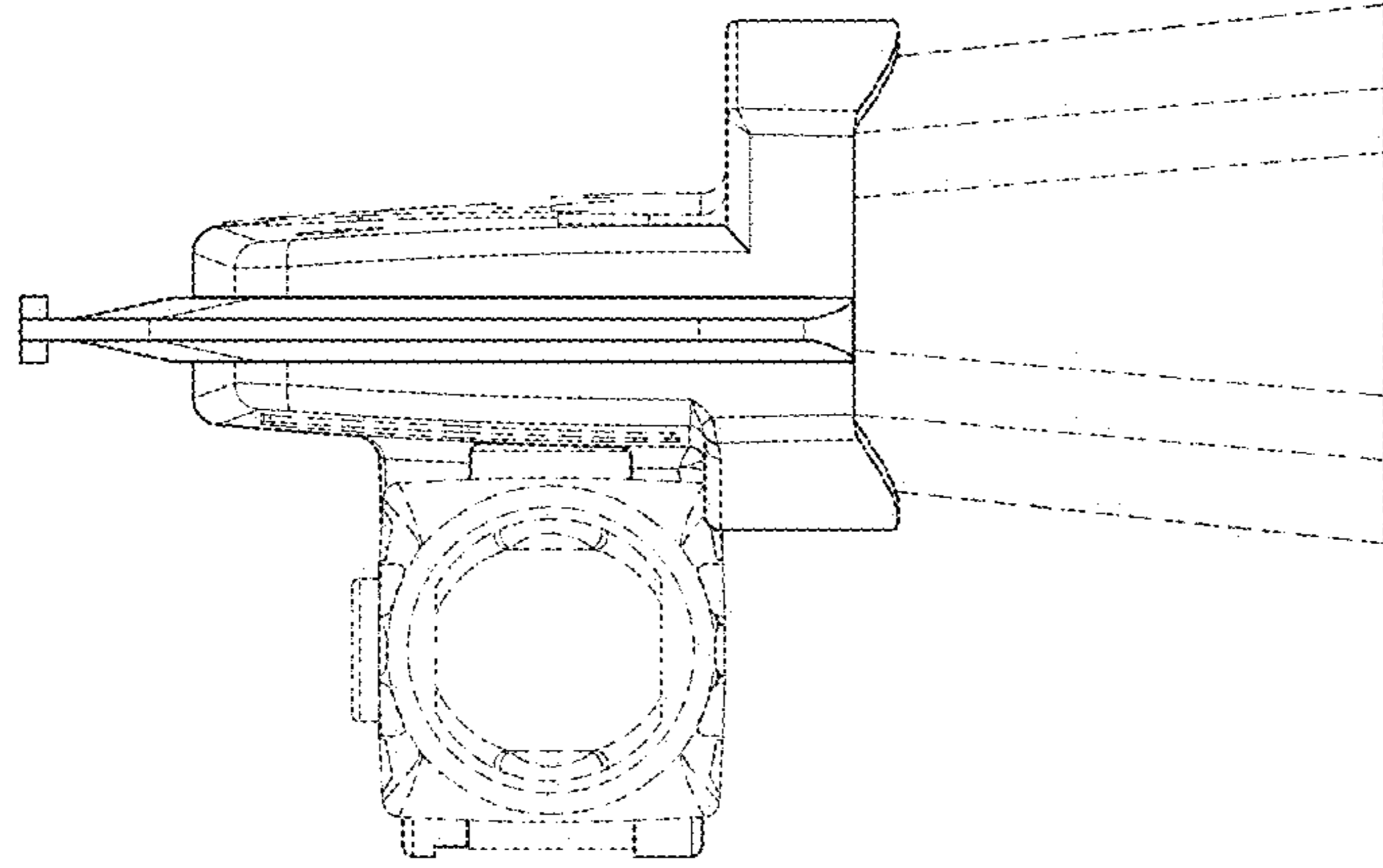


*Fig. 6.*

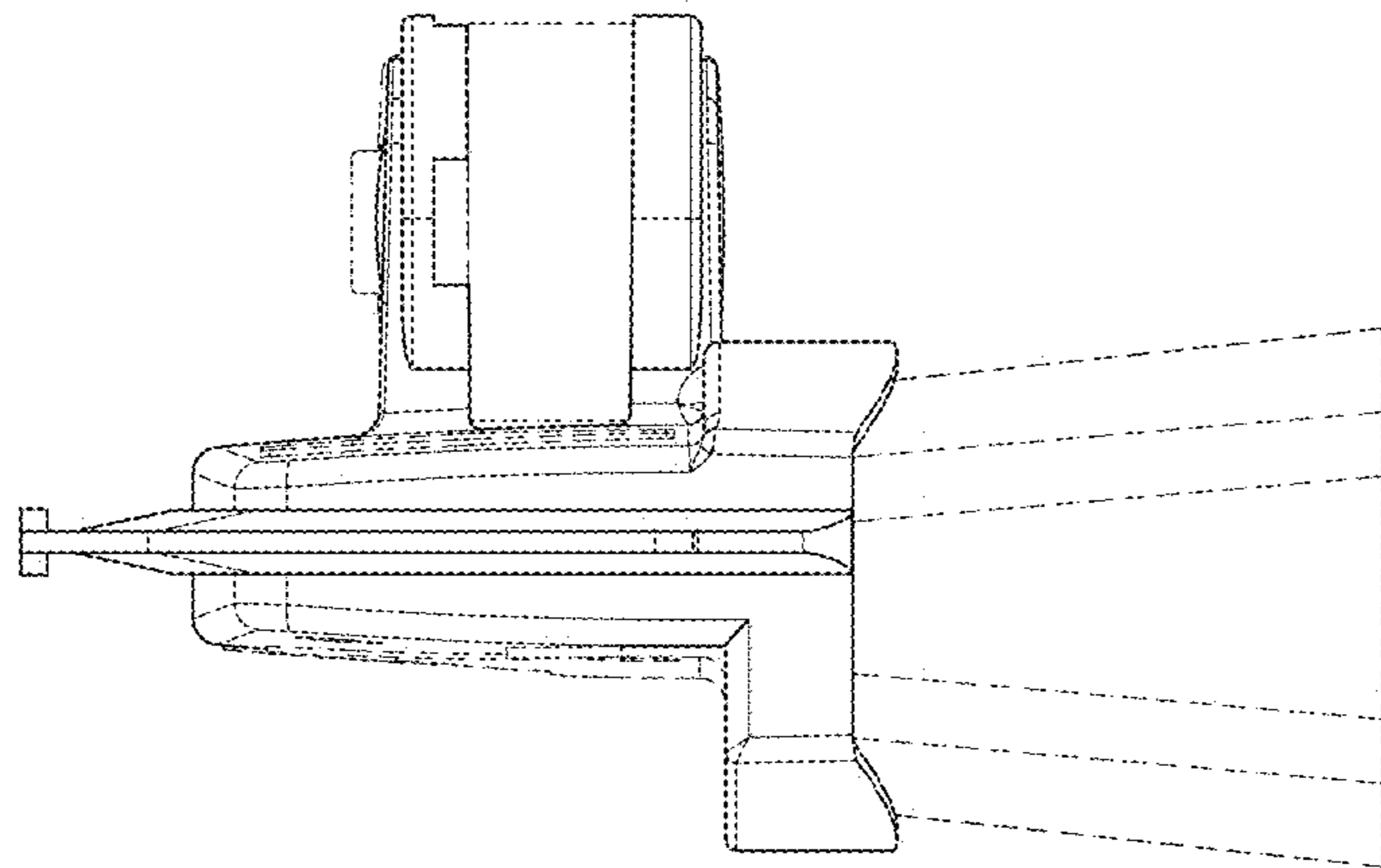


*Fig. 7.*

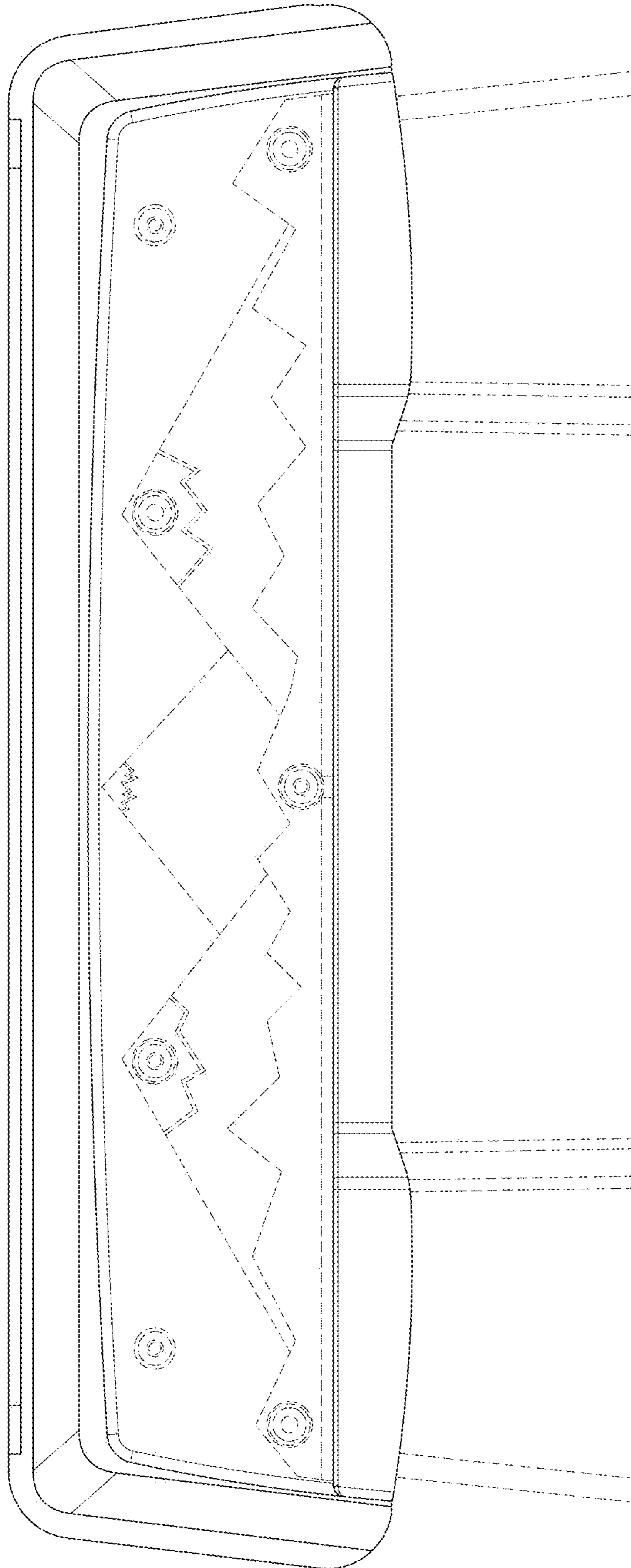




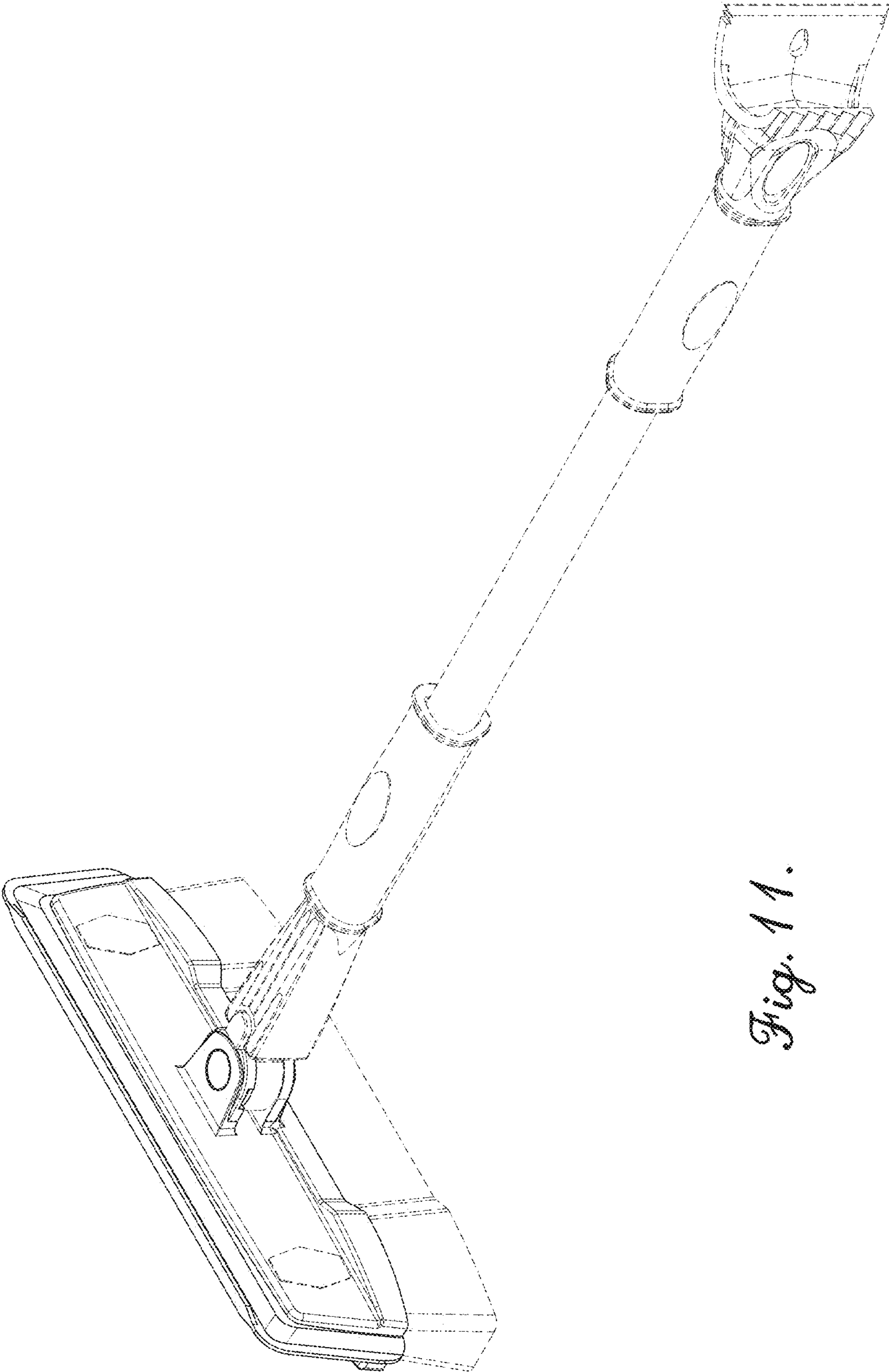
*Fig. 9.*



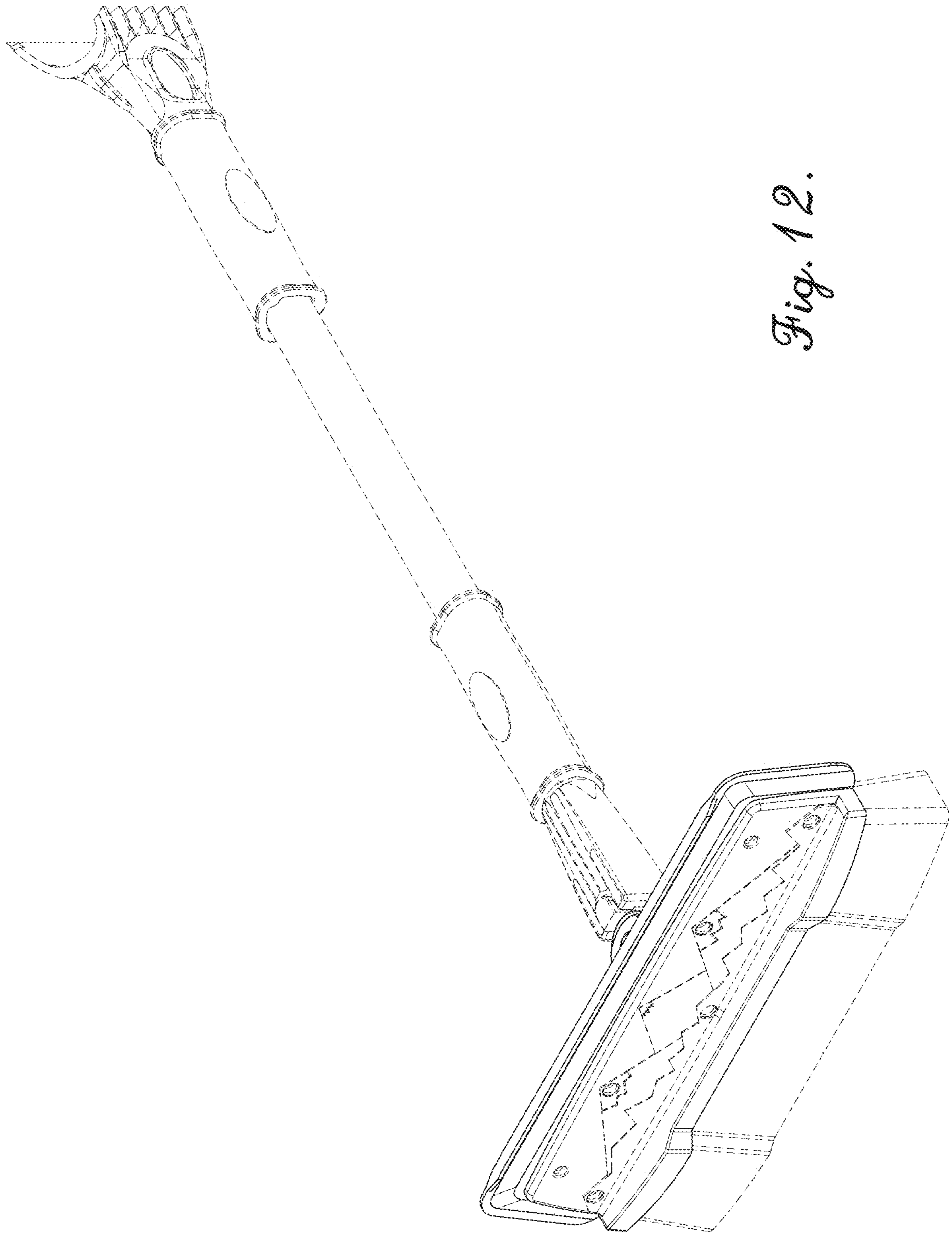
*Fig. 8.*



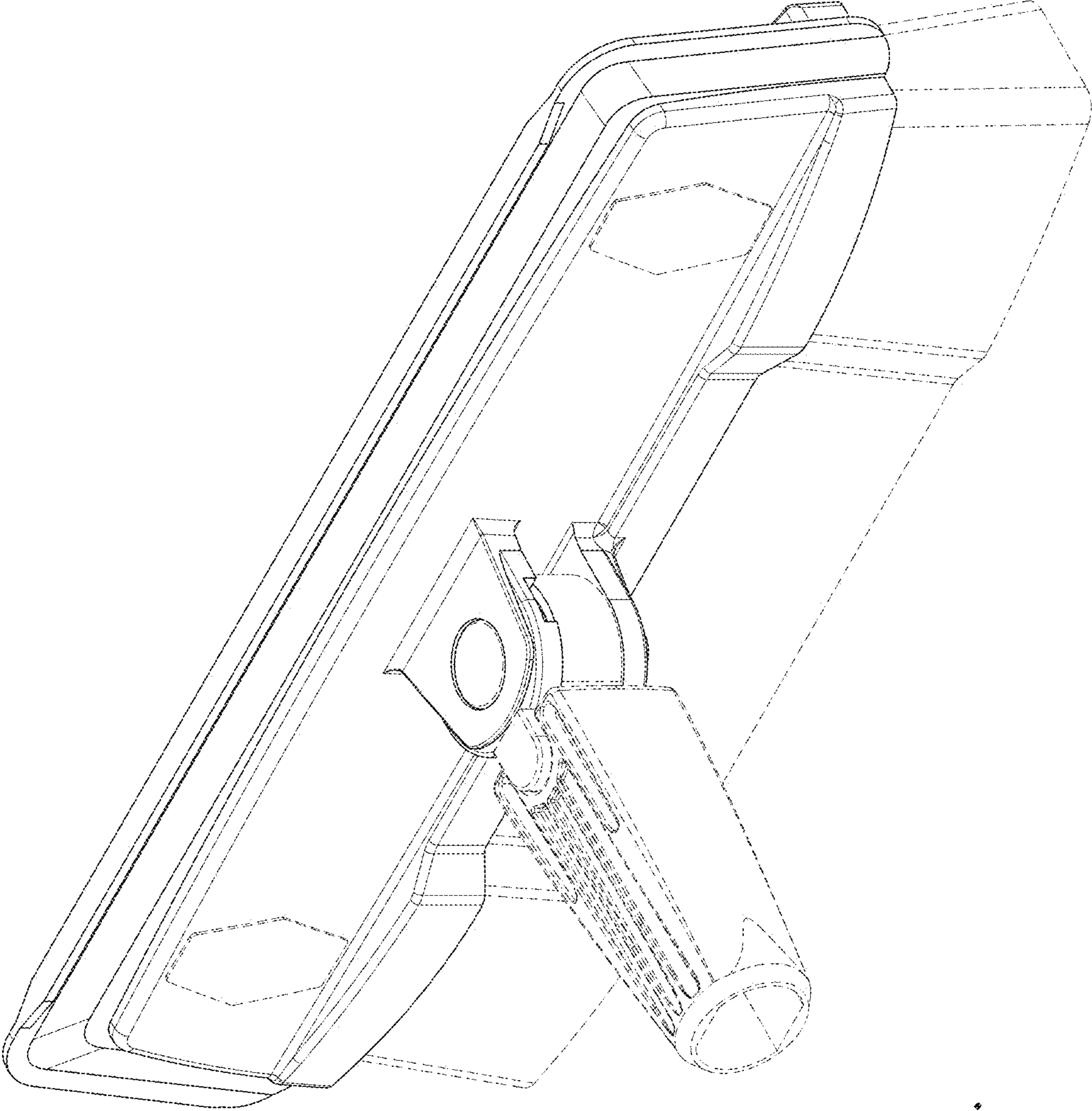
*Fig. 10.*



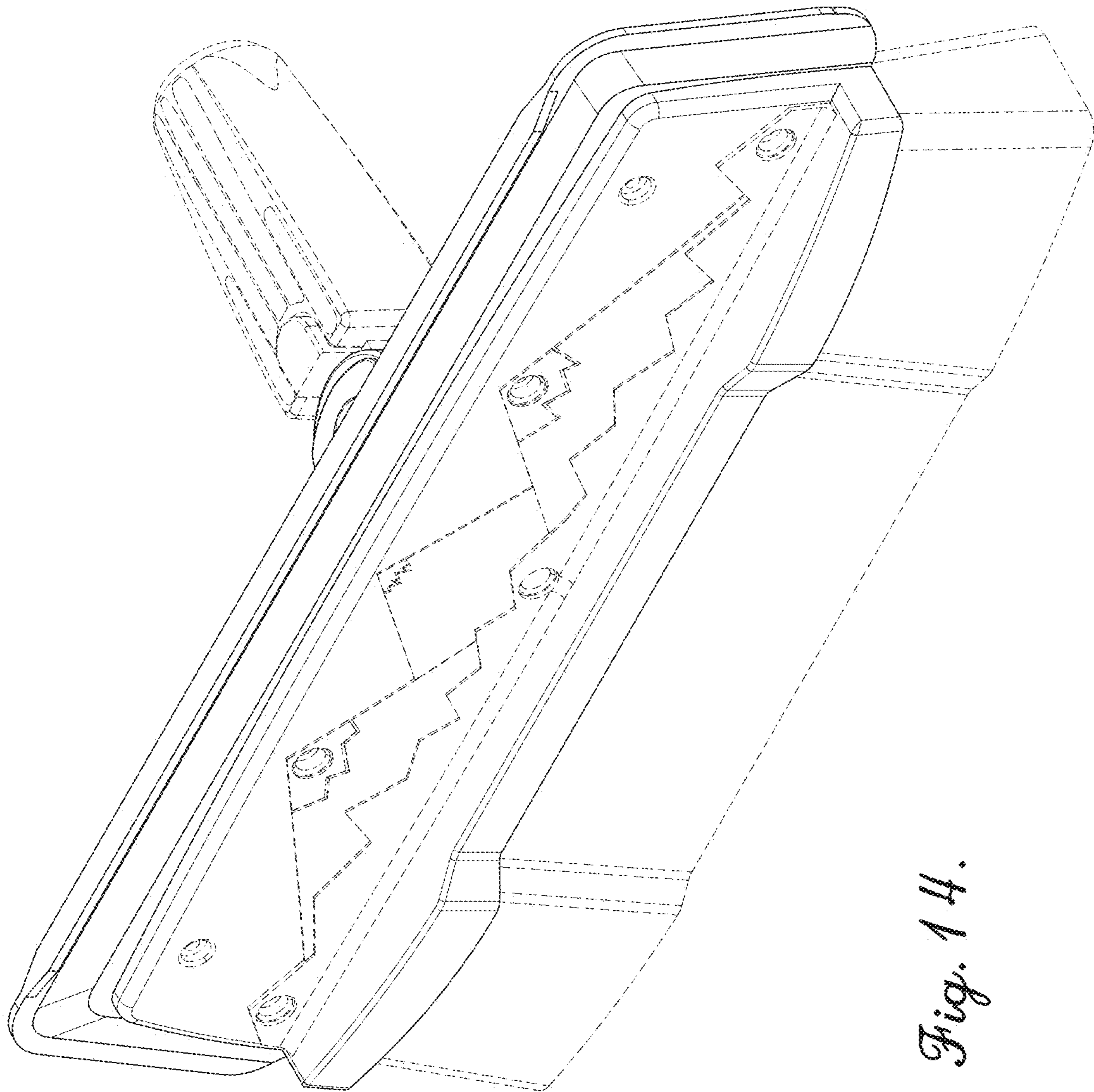
*Fig. 11.*



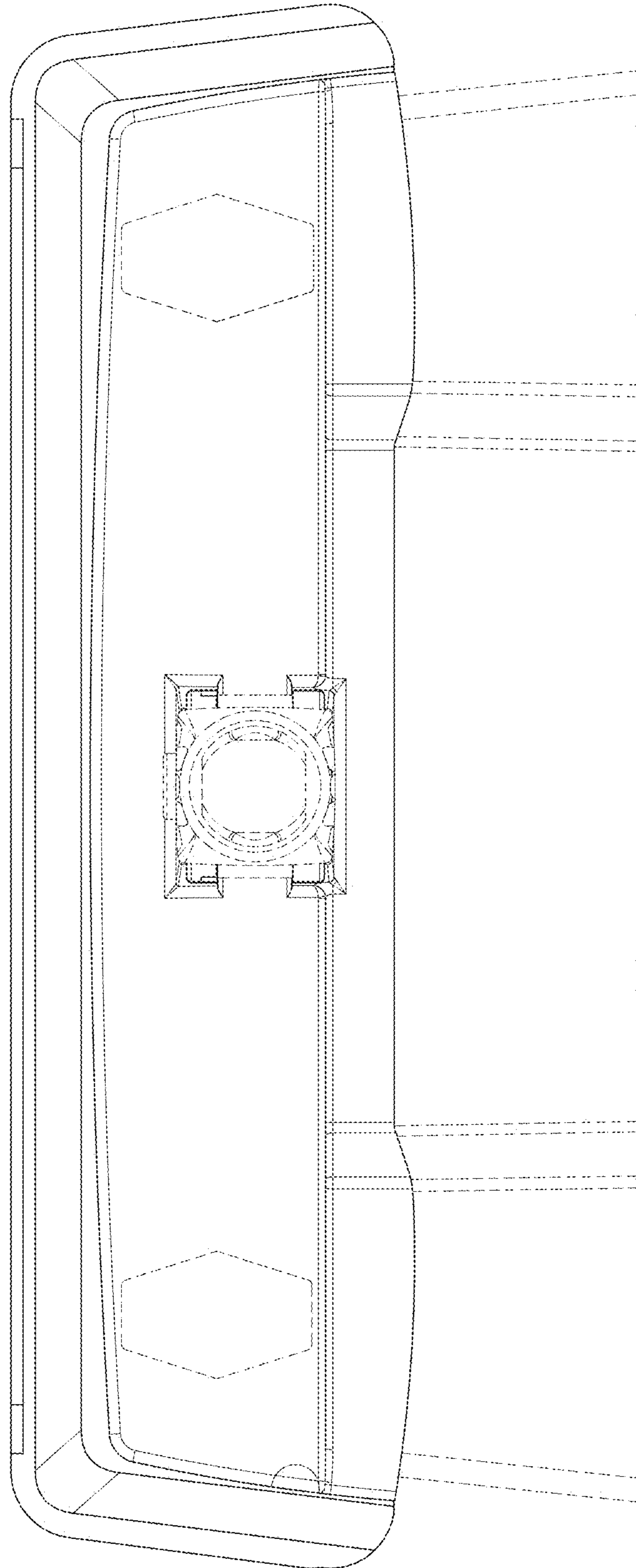
*Fig. 12.*



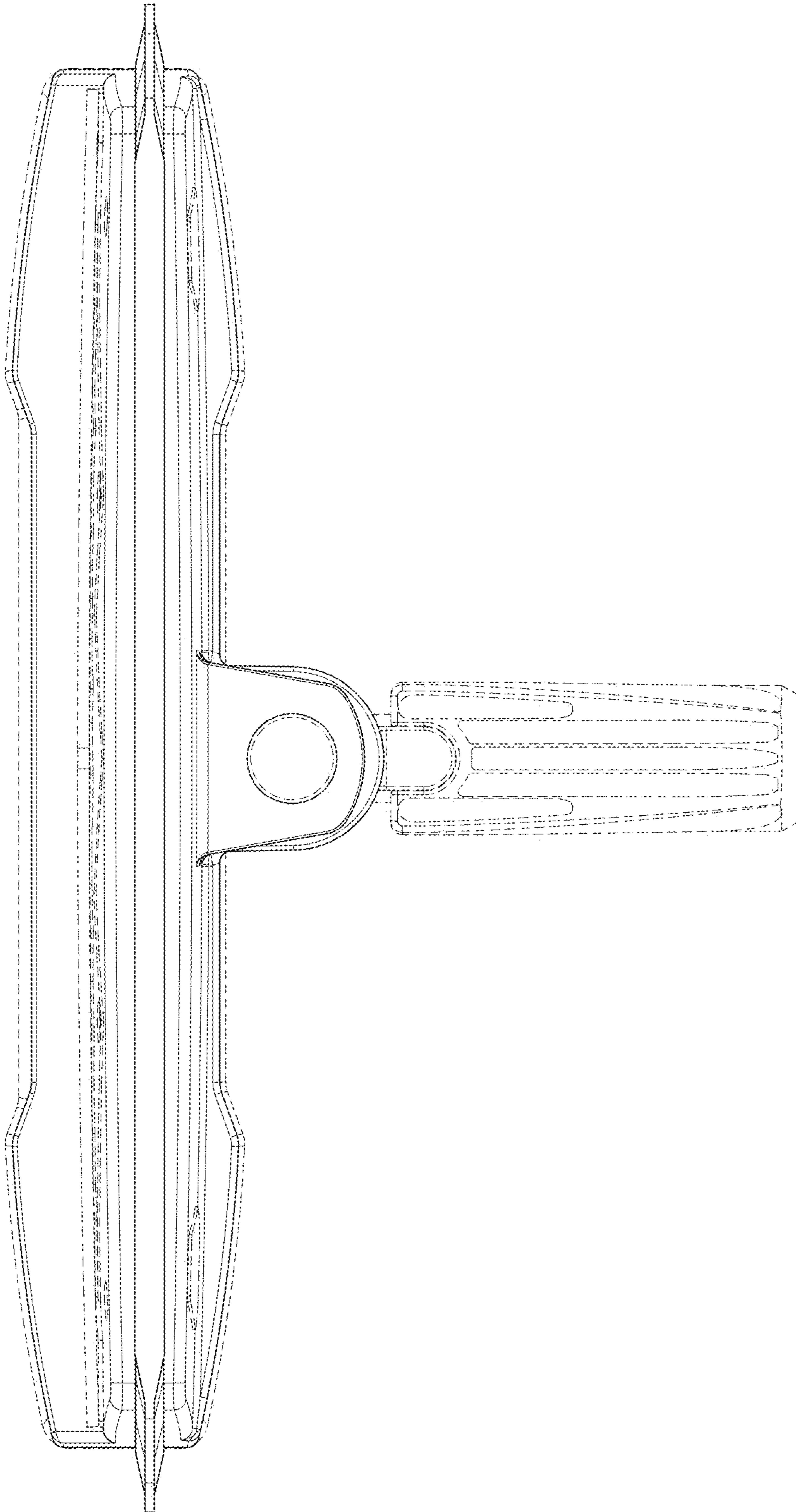
*Fig. 13.*



*Fig. 14.*

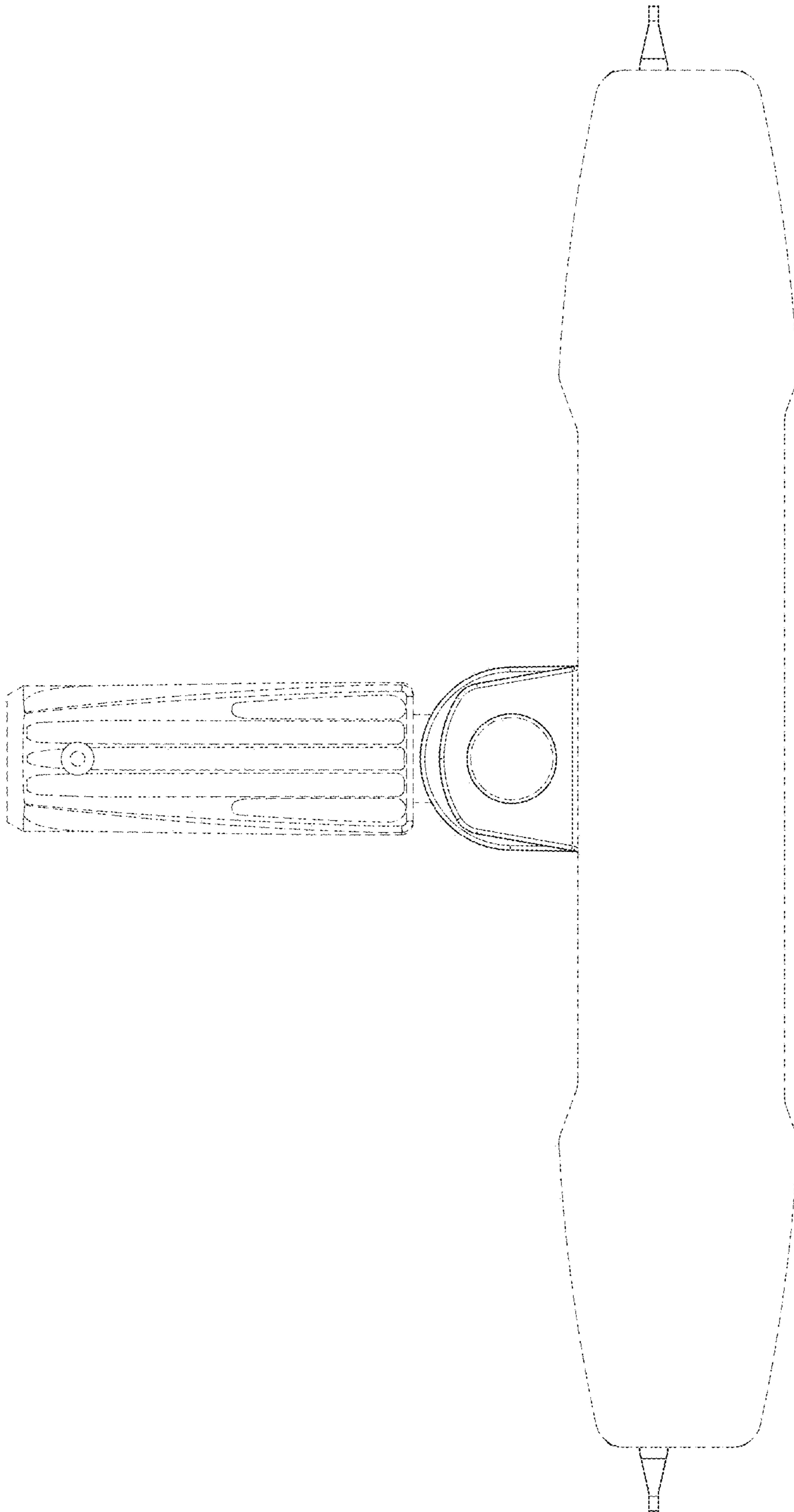


*Fig. 15.*

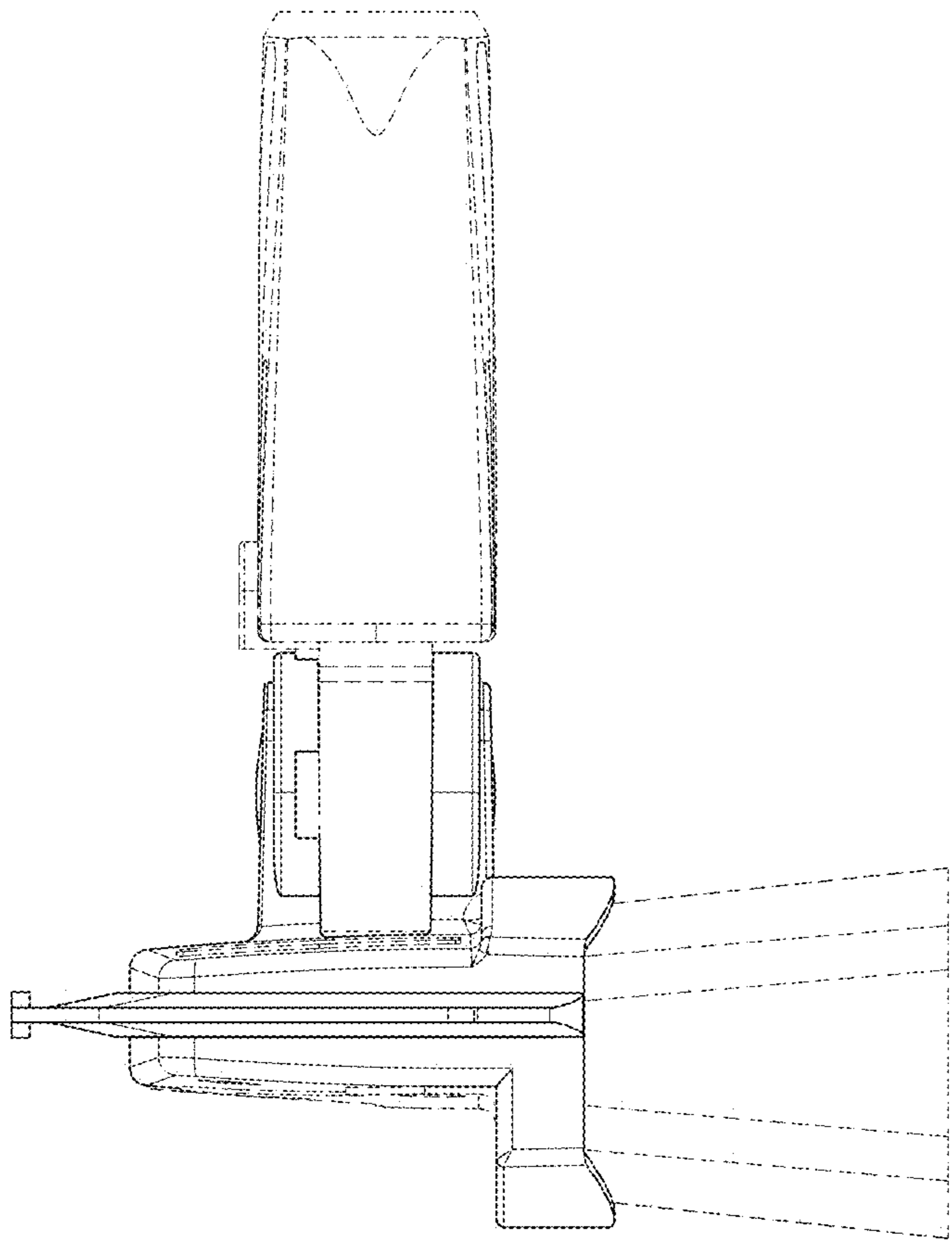


*Fig. 16.*

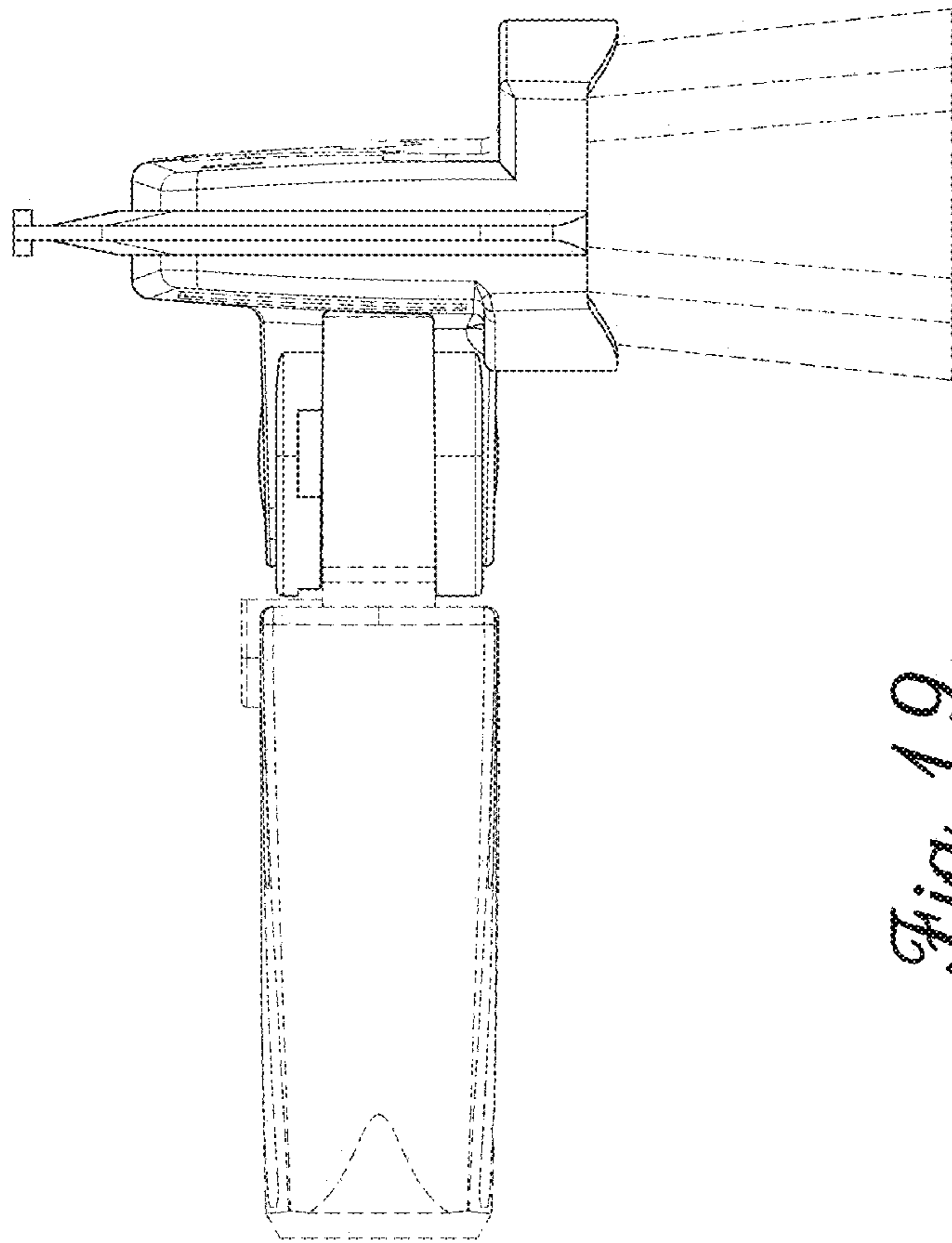




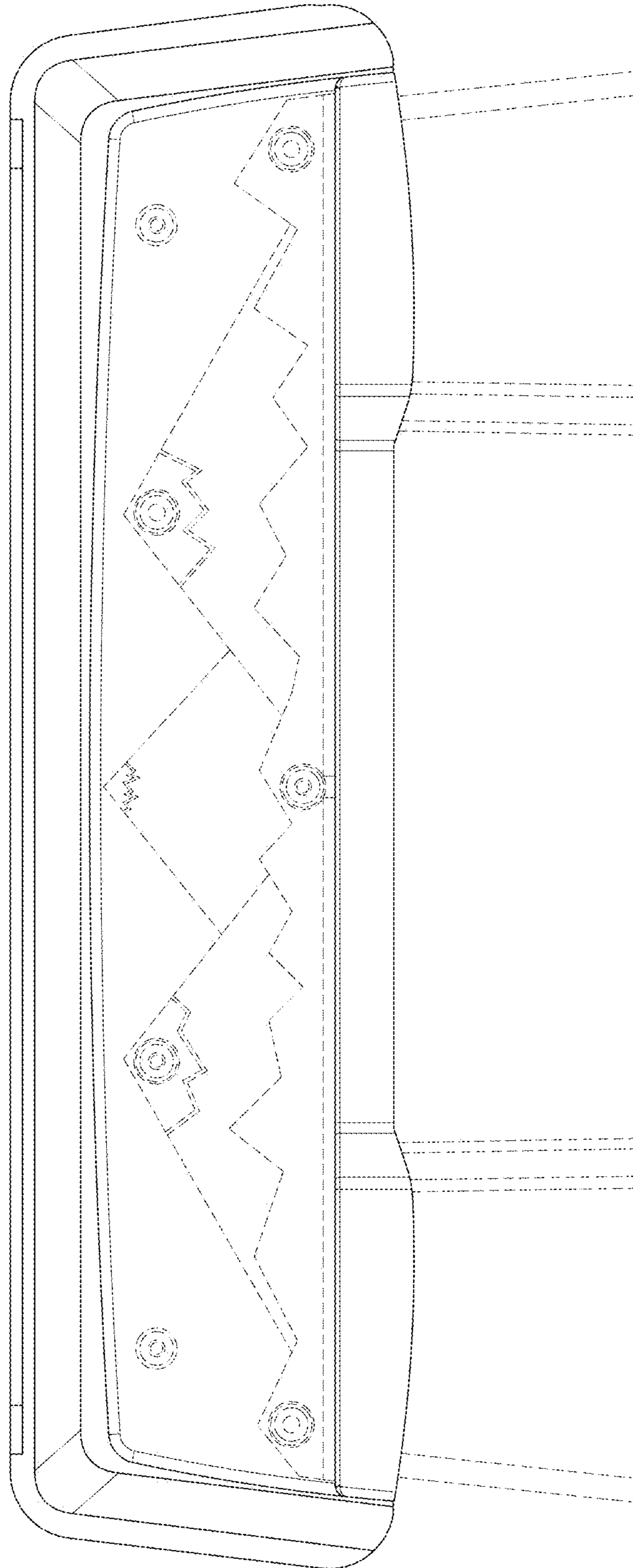
*Fig. 17.*



*Fig. 18.*



*Fig. 19.*



*Fig. 20.*