



US00D989492S

(12) **United States Design Patent** (10) **Patent No.:** **US D989,492 S**  
**Cu et al.** (45) **Date of Patent:** **\*\* Jun. 20, 2023**

(54) **TOOTHBRUSH**  
(71) Applicant: **Cocofloss Inc.**, San Mateo, CA (US)  
(72) Inventors: **Chrystle Cu**, Hillsborough, CA (US);  
**Catherine Cu**, Hillsborough, CA (US)  
(73) Assignee: **Cocofloss Inc.**, San Mateo, CA (US)  
(\*\*) Term: **15 Years**

D446,021 S \* 8/2001 Jen ..... D4/104  
D478,426 S \* 8/2003 Xi ..... D4/104  
D514,815 S \* 2/2006 Moskovich ..... D4/104  
D655,917 S \* 3/2012 Bartschi ..... D4/104  
D770,184 S \* 11/2016 Gabriele ..... D4/104  
D785,947 S \* 5/2017 Matelo ..... D4/110  
D830,702 S \* 10/2018 Mu ..... D4/104  
D877,519 S \* 3/2020 Xi ..... D4/110  
D959,843 S \* 8/2022 Jungnickel ..... D4/101  
D965,986 S \* 10/2022 Šesták ..... D4/110  
D973,368 S \* 12/2022 Bernard ..... D4/110

(21) Appl. No.: **29/802,185**  
(22) Filed: **Aug. 3, 2021**  
(51) **LOC (14) Cl.** ..... **04-02**  
(52) **U.S. Cl.**  
USPC ..... **D4/110**  
(58) **Field of Classification Search**  
USPC ..... D4/104, 105, 106, 110, 130, 134, 199;  
D24/176  
CPC .. A46B 1/00; A46B 3/00; A46B 3/005; A46B  
3/02; A46B 3/04; A46B 3/20; A46B 3/22;  
A46B 5/00; A46B 5/002; A46B 5/0025;  
A46B 5/0029; A46B 5/0033; A46B  
5/0037; A46B 5/0054; A46B 5/0062;  
A46B 5/0066; A46B 5/0095; A46B 5/02;  
A46B 5/021; A46B 7/00; A46B 7/06;  
A46B 9/00; A46B 9/005; A46B 9/02;  
A46B 9/021; A46B 9/023; A46B 9/026;  
A46B 9/028; A46B 13/00; A46B 13/001;  
A46B 13/02; A46B 13/023; A46B 13/08;  
A46B 15/00; A46B 15/0002; A46B  
15/0016; A46B 2200/00; A46B 2200/10;  
A46B 2200/1026; A46B 2200/1066;  
A46B 2200/1073; A46B 2200/108; A46B  
2200/30; A61C 17/00; G09B 19/0084  
See application file for complete search history.

**OTHER PUBLICATIONS**

Cocobrush, earliest review Jun. 7, 2021 [online], [retrieved Jan. 30, 2023]. Retrieved from internet, <https://cocofloss.com/collections/cocobrush/products/cocobrush> (Year: 2021).\*

(Continued)

*Primary Examiner* — Alison M Ofstun  
*Assistant Examiner* — Evin F Ershock  
(74) *Attorney, Agent, or Firm* — Esplin & Associates, PC

(57) **CLAIM**

The ornamental design for a toothbrush, as shown and described.

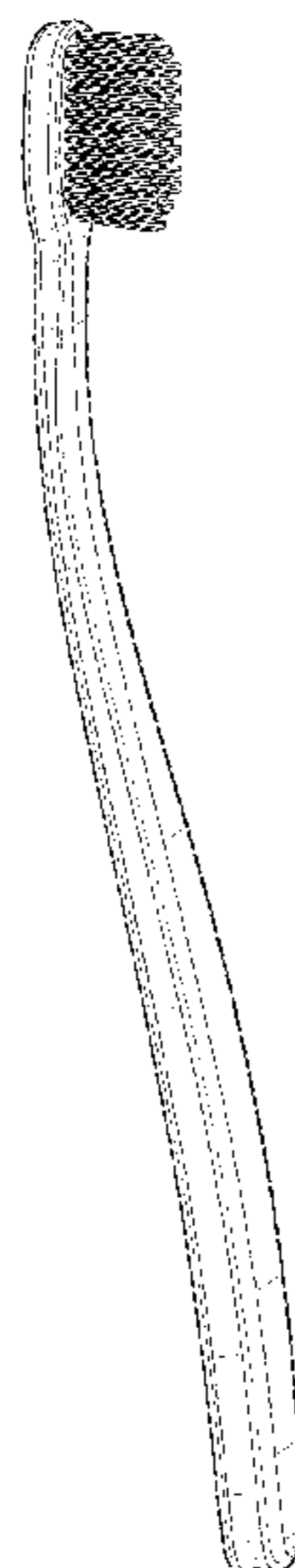
**DESCRIPTION**

FIG. 1 is a perspective view of the toothbrush showing the new design;  
FIG. 2 is a front view thereof;  
FIG. 3 is a rear view thereof;  
FIG. 4 is a right side view thereof;  
FIG. 5 is a left side view thereof;  
FIG. 6 is a top view thereof; and,  
FIG. 7 is a bottom view thereof.

(56) **References Cited**  
U.S. PATENT DOCUMENTS

D371,680 S \* 7/1996 Juhlin ..... D4/104  
D433,815 S \* 11/2000 Denhez ..... D4/104

**1 Claim, 2 Drawing Sheets**



(56)

**References Cited**

OTHER PUBLICATIONS

Curaprox CS 5460 Ultra-Soft Toothbrush, posted Feb. 5, 2014 [online], [retrieved Jan. 30, 2023]. Retrieved from internet, <https://www.amazon.com/dp/B004W6PAJE/> (Year: 2014).\*

Jordan\* ® | Green Clean Manual Toothbrush, posted Jan. 28, 2021 [online], [retrieved Jan. 30, 2023]. Retrieved from internet, <https://www.amazon.com/dp/B08VBPL3CV/> (Year: 2021).\*

Euthymol] Classic Toothbrush, posted Dec. 14, 2021 [online], [retrieved Jan. 30, 2023]. Retrieved from internet, <https://www.amazon.com/dp/B09MZX75NN/> (Year: 2021).\*

First we reinvented floss. (That was fun!) Now we'd like you to meet Cocobrush (available Now!), posted Jun. 15, 2021 [online], [retrieved Jan. 30, 2023]. Retrieved from internet, <https://www.facebook.com/lovecocofloss/photos/a.361319557326040/2948181941973109/> (Year: 2021).\*

\* cited by examiner

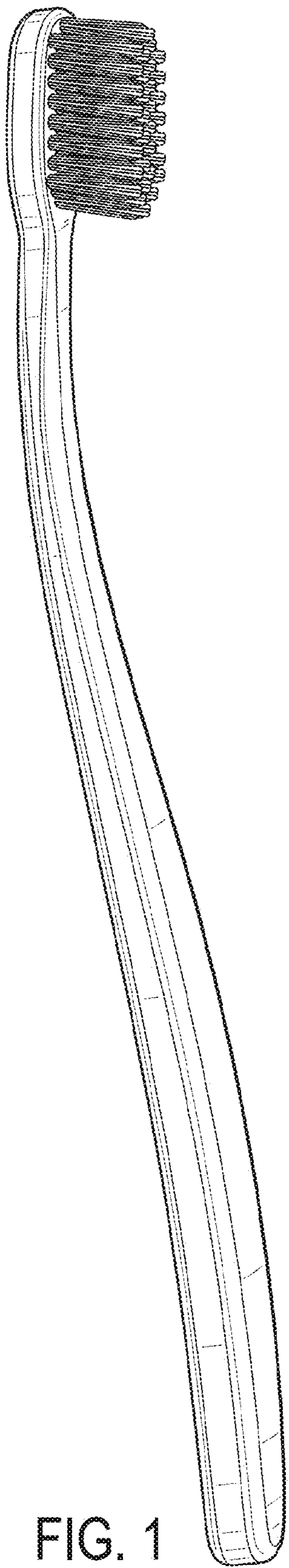


FIG. 1

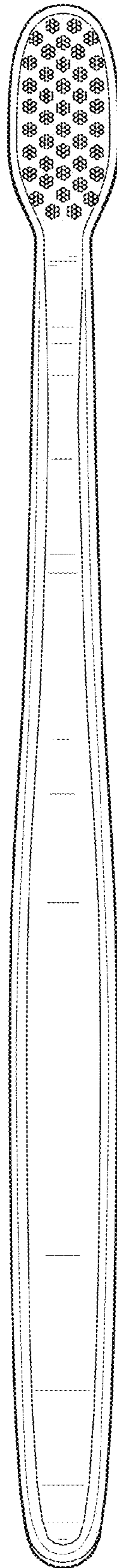


FIG. 2

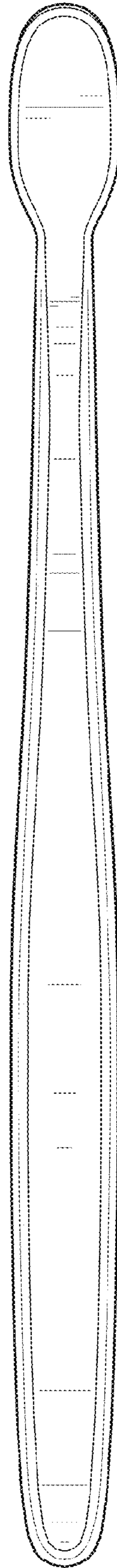


FIG. 3

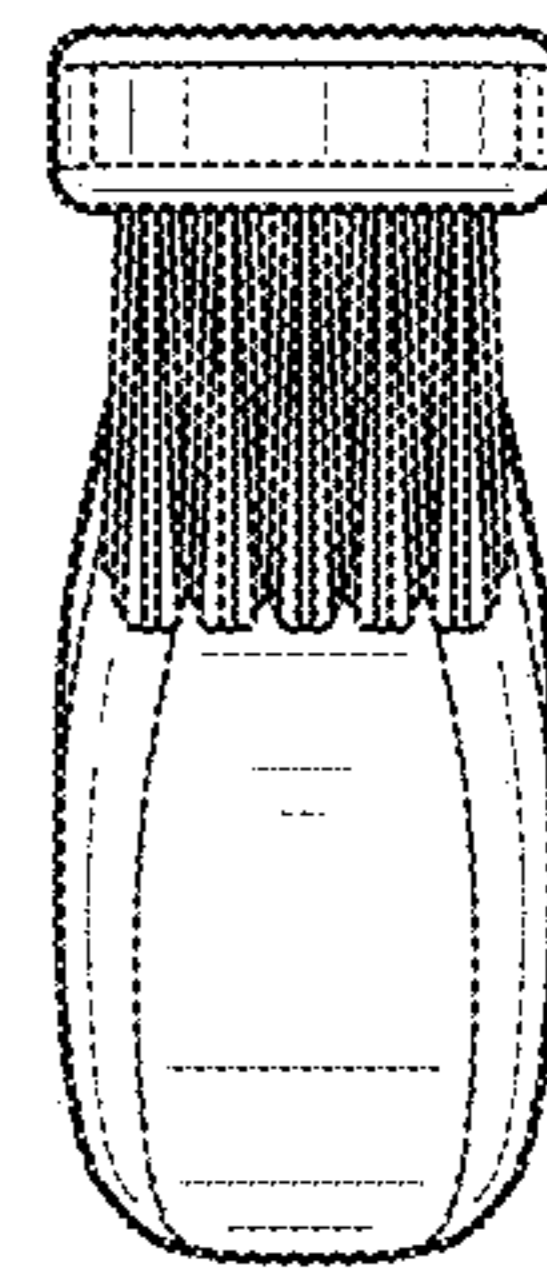
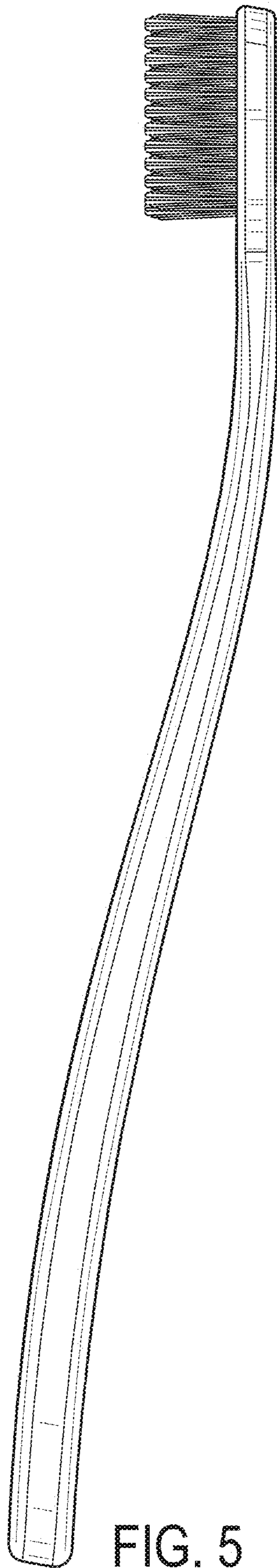
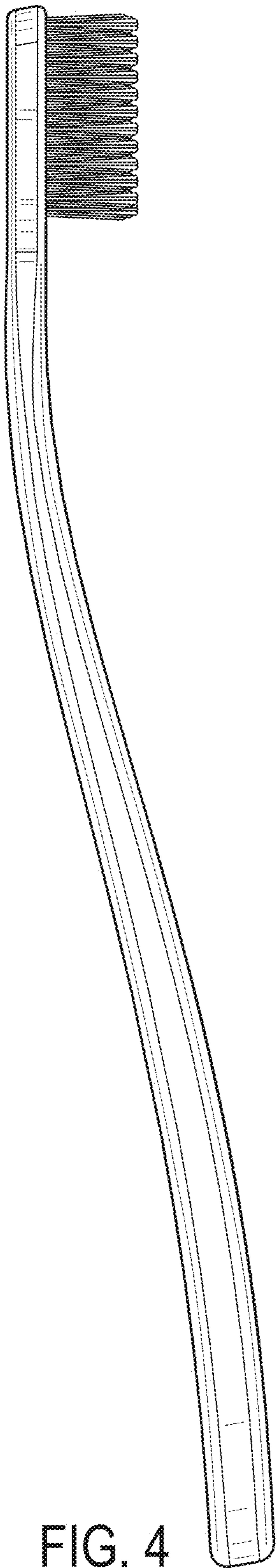


FIG. 6

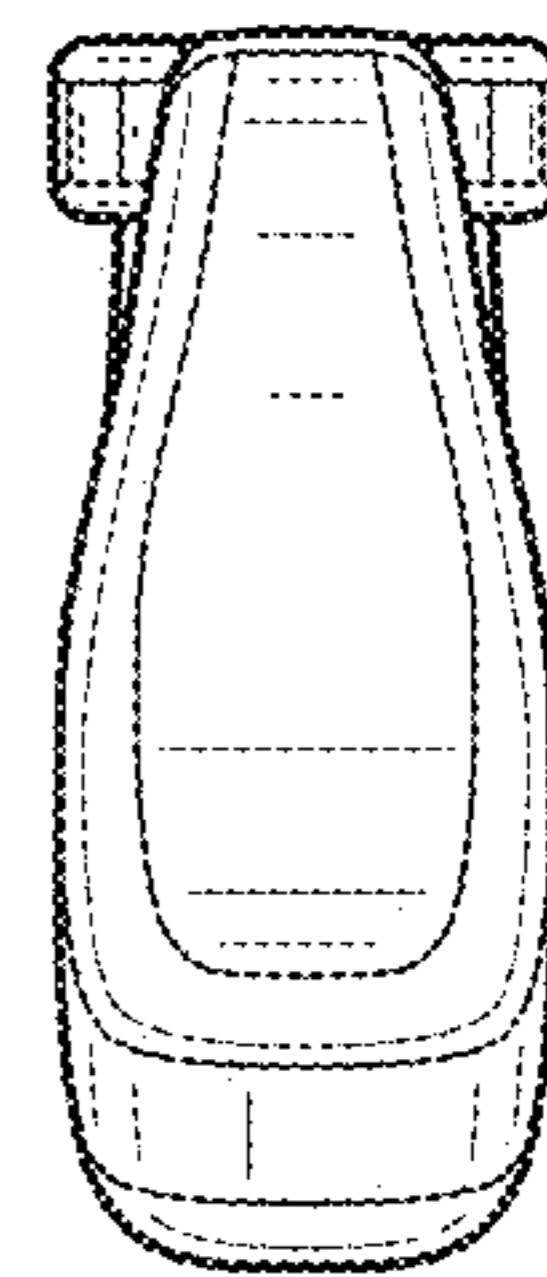


FIG. 7