



US00D989490S

(12) **United States Design Patent**
Gagne

(10) **Patent No.:** **US D989,490 S**
(45) **Date of Patent:** **** Jun. 20, 2023**

- (54) **PURSE HANGING DEVICE**
- (71) Applicant: **Michelle Gagne**, Orlando, FL (US)
- (72) Inventor: **Michelle Gagne**, Orlando, FL (US)
- (**) Term: **15 Years**
- (21) Appl. No.: **29/782,231**
- (22) Filed: **May 5, 2021**
- (51) **LOC (14) Cl.** **03-99**
- (52) **U.S. Cl.**
USPC **D3/328**
- (58) **Field of Classification Search**
USPC D11/3, 6, 26-29; D6/316-319, 323-328;
D3/318, 322-325, 327, 328, 304;
D8/349, 373, 380, 381
CPC A44C 5/145; A44C 5/2019; A44C 5/2023;
A44C 5/2028; A44C 5/2033; A44C
9/0046; A44C 9/0053; A44C 9/0061;
A47G 29/00; A47G 29/083; A47G
29/087; A47G 29/093; A47G 25/06
See application file for complete search history.

D887,718 S * 6/2020 Tripaldi D3/328
2008/0083862 A1 * 4/2008 Salatka A47G 29/083
248/308
2018/0064275 A1 * 3/2018 Blevins A47G 25/1471

OTHER PUBLICATIONS

Hdtyyln Alloy Hook, posted at amazon.com, first available Sep. 22, 2019, retrieved on Nov. 22, 2022, online, <https://www.amazon.com/Haidong-Student-Aluminium-Nail-Free-Suitable/dp/B07V5CGQ63> (Year: 2019).*

Purse Hanger Purse Hook, posted at etsy.com, first available Dec. 20, 2020, retrieved on Nov. 22, 2022, online, https://www.etsy.com/listing/564721284/purse-hanger-purse-hook-purse-holder-bag?ga_order=most_relevant&ga_search_type=all&ga_view_type=g%E2%80%A6 (Year: 2020).*

Single Cubicle Wall Hook, posted at etsy.com, first available Nov. 17, 2019, retrieved on Nov. 23, 2022, online, https://www.etsy.com/listing/742346933/single-cubicle-wall-hook-hanger-on?click_key=7ea99b475592d0923670551fa14eddd77c046df2%3A742346%E2%80%A6 (Year: 2019).*

* cited by examiner

Primary Examiner — Mary Shannon Malley
Assistant Examiner — Dustin Andrew Griffith
(74) *Attorney, Agent, or Firm* — Jason T. Daniel, Esq.;
Daniel Law Offices, P.A.

(56) **References Cited**

U.S. PATENT DOCUMENTS

- 1,220,717 A * 3/1917 Bennett A47G 29/083
211/35
- D253,276 S * 10/1979 Levine D8/367
- 4,194,714 A * 3/1980 Schultz A47G 29/083
116/DIG. 1
- D279,450 S * 7/1985 Chap D8/367
- D297,074 S * 8/1988 Burke D8/367
- 5,094,417 A * 3/1992 Creed A47G 29/083
248/339
- D454,055 S * 3/2002 Belokin D8/373
- D459,980 S * 7/2002 Nishida D8/367
- D463,127 S * 9/2002 Haertzen D3/328
- D611,328 S * 3/2010 Hanley D8/363

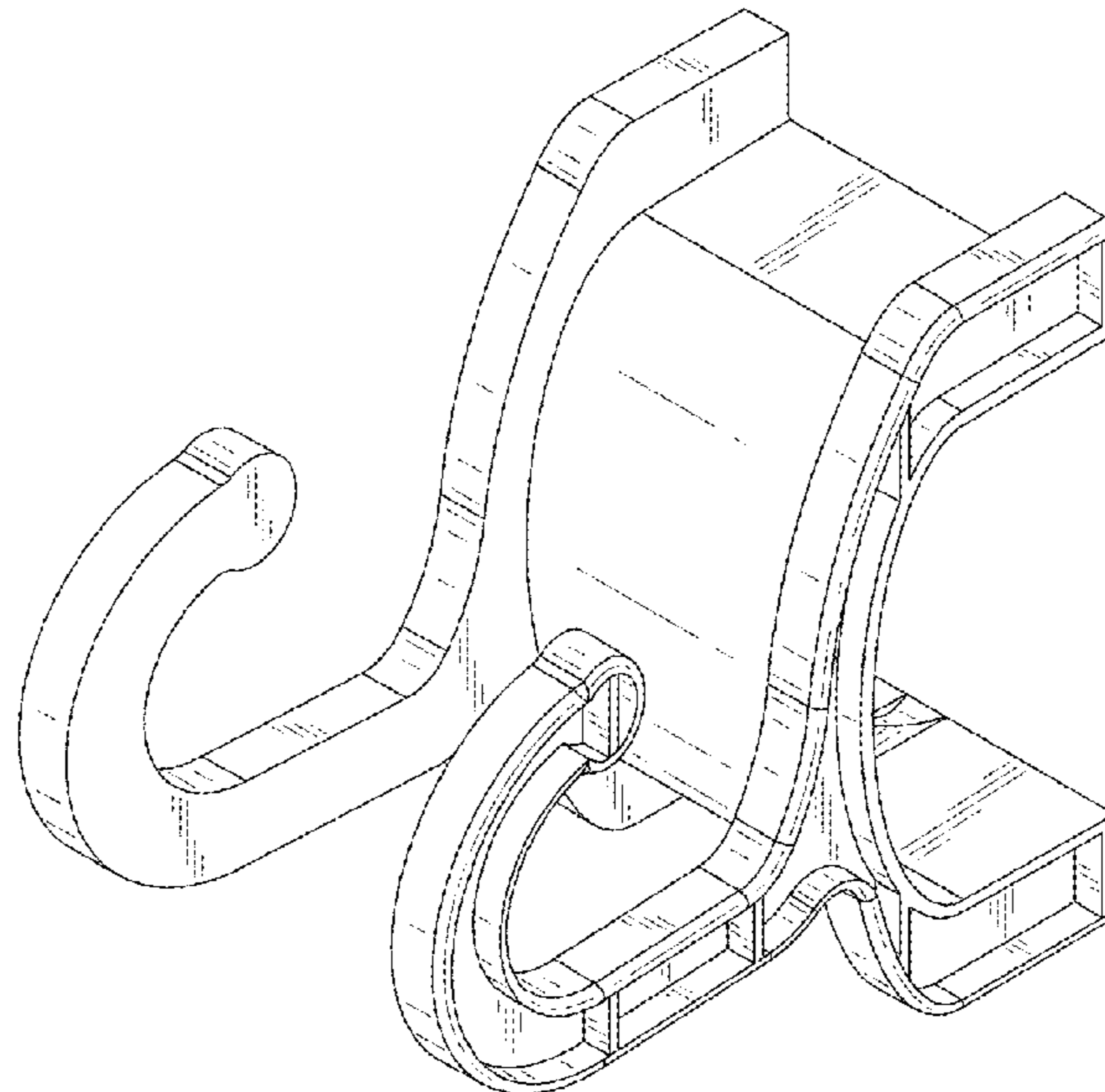
(57) **CLAIM**

The ornamental design for a purse hanging device, as shown and described.

DESCRIPTION

FIG. 1 is a front-right perspective view thereof,
FIG. 2 is a rear-left perspective view thereof,
FIG. 3 is a front side view thereof,
FIG. 4 is a back side view thereof,
FIG. 5 is a top side view thereof,
FIG. 6 is a bottom side view thereof; and,
FIG. 7 is a right side view thereof.
The left side is a mirror image of the right side.

1 Claim, 3 Drawing Sheets



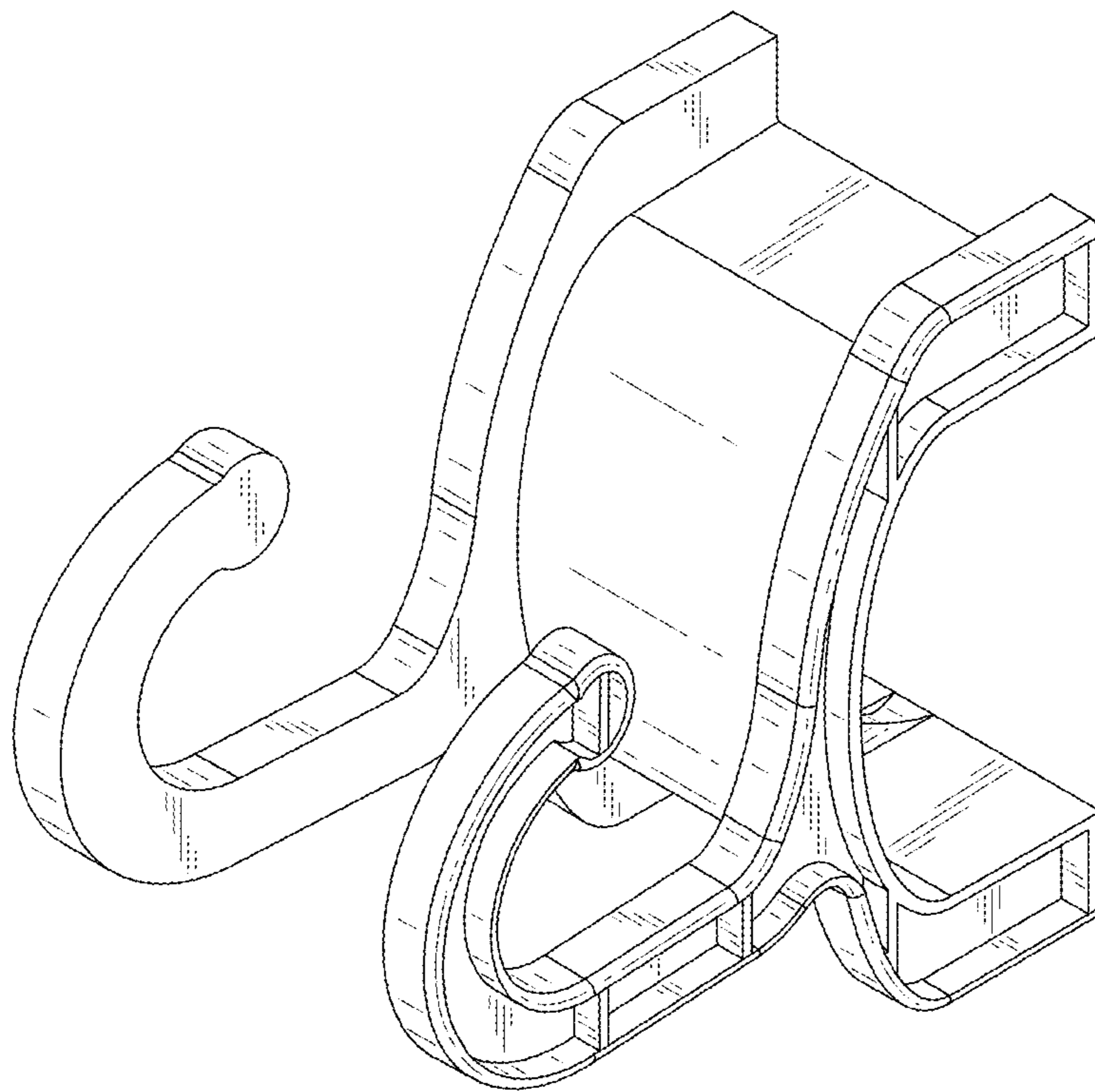


FIG. 1

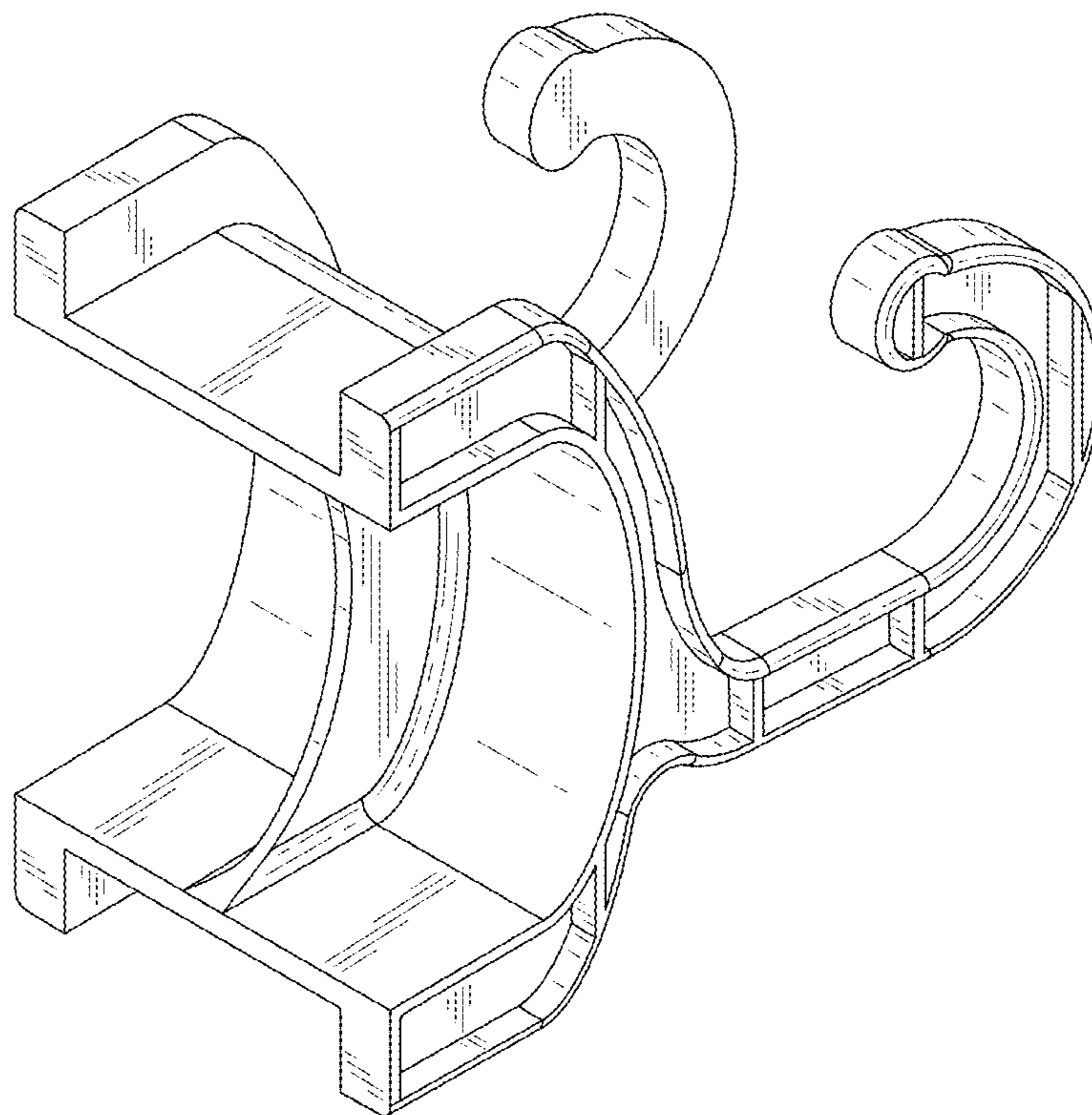


FIG. 2

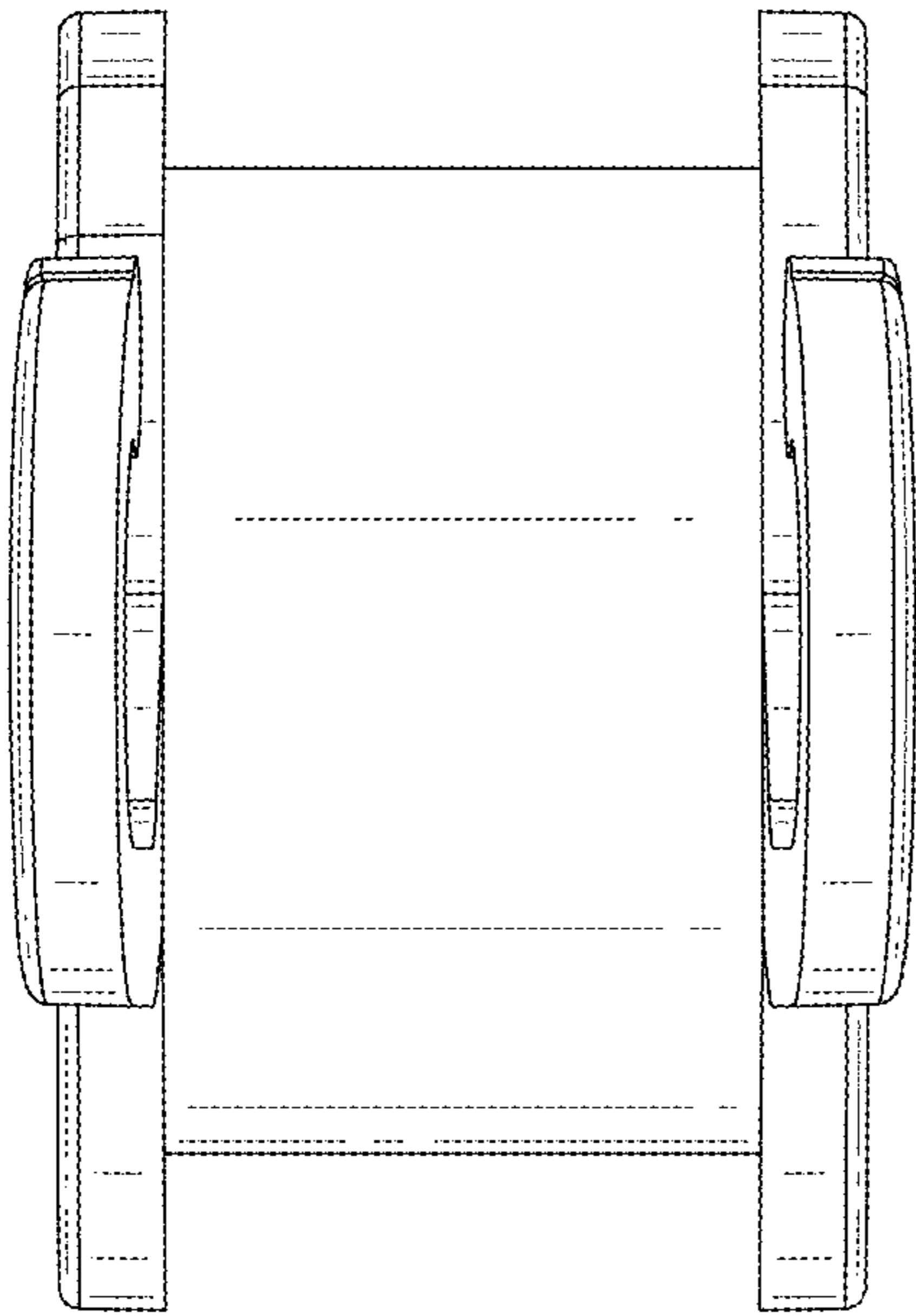


FIG. 3

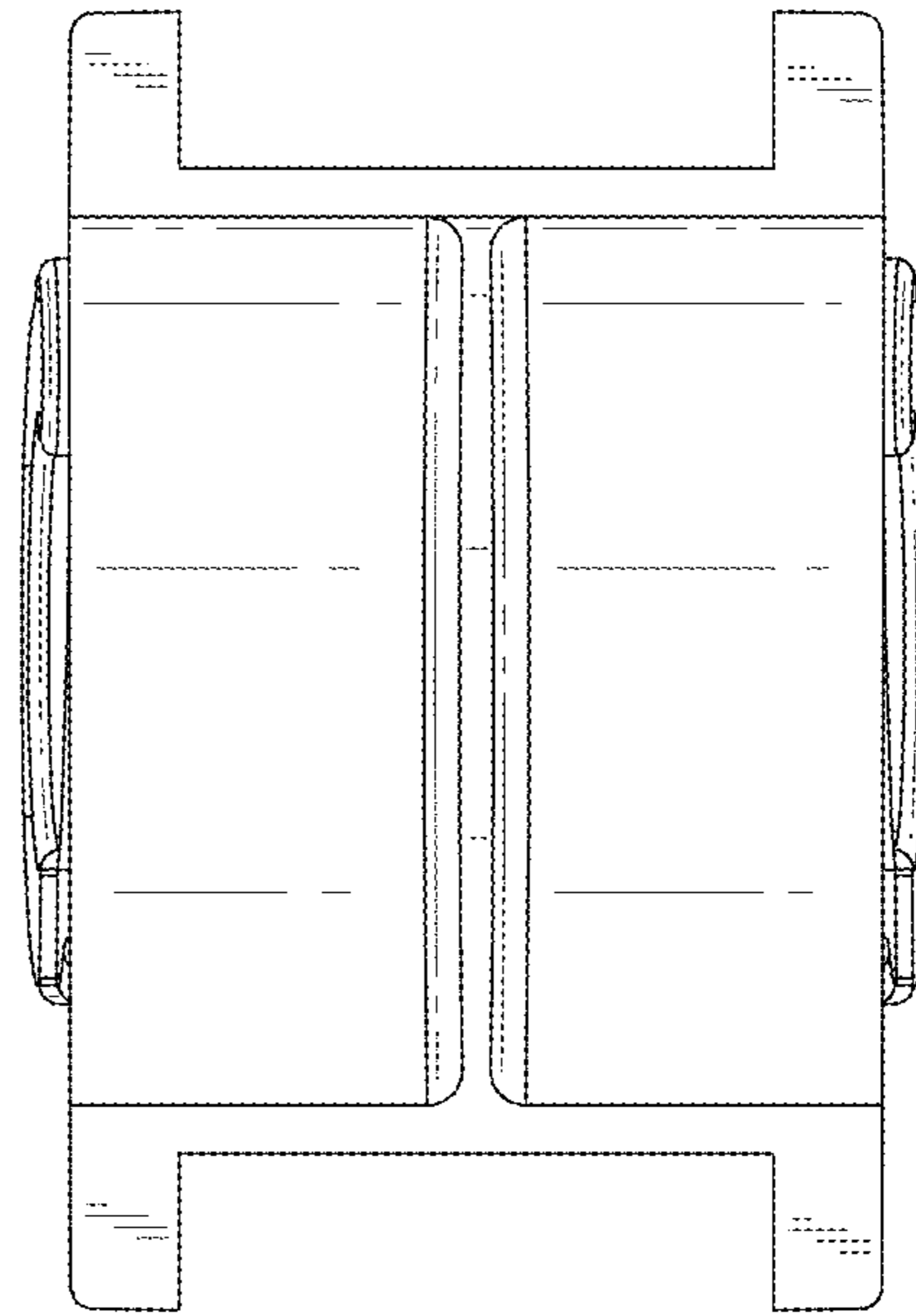


FIG. 4

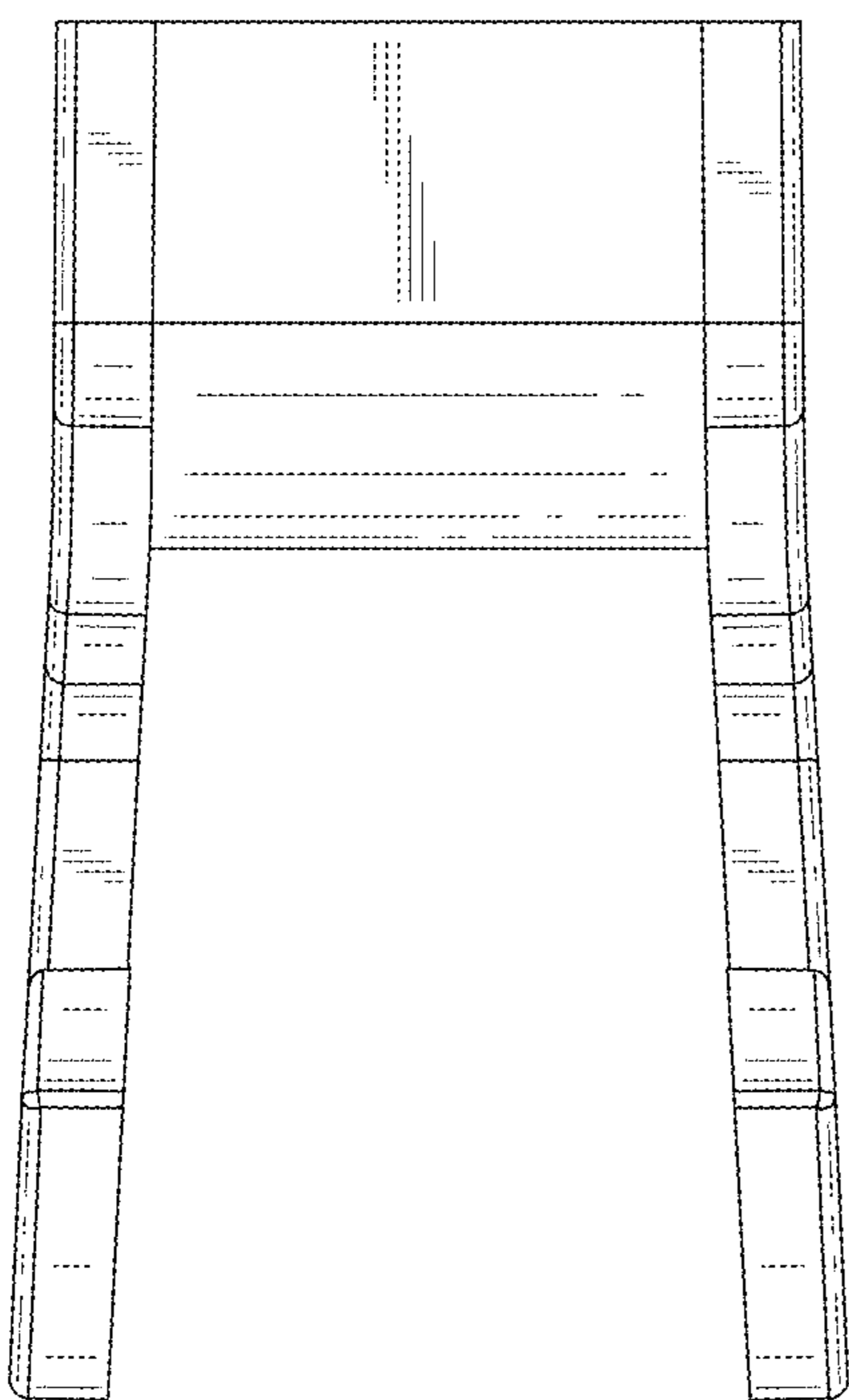


FIG. 5

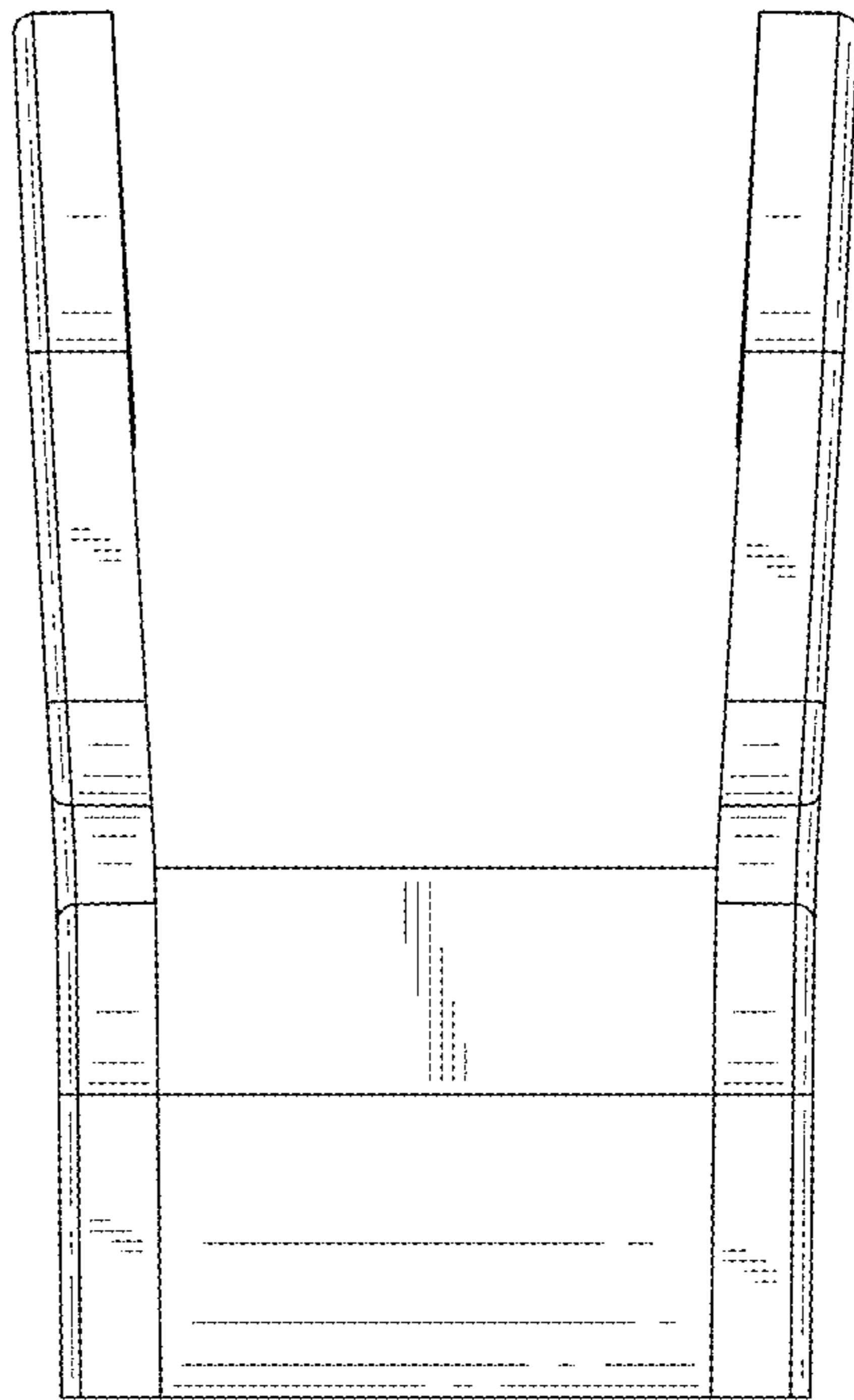


FIG. 6

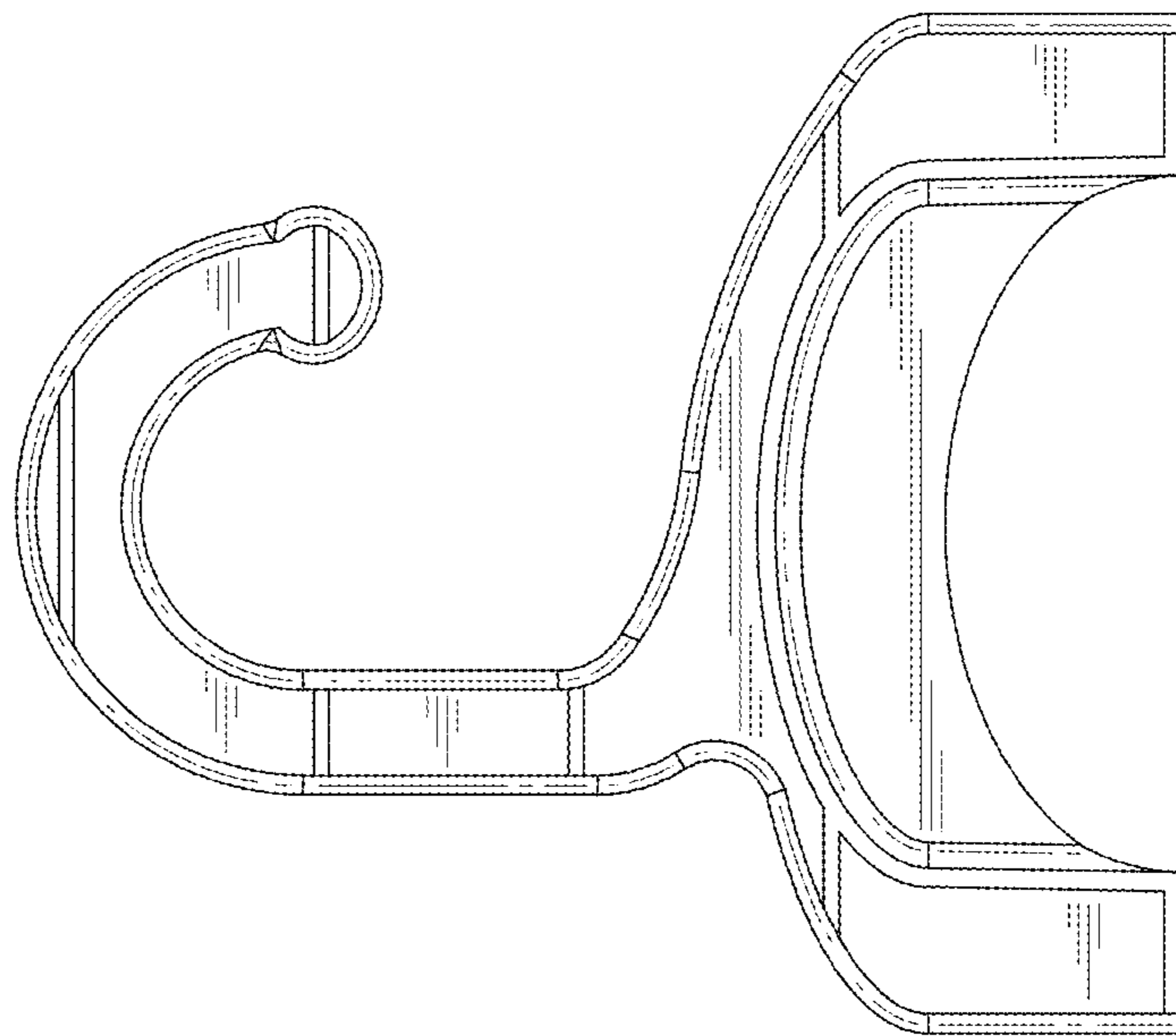


FIG. 7