



US00D989489S

(12) **United States Design Patent**
Schlegel

(10) **Patent No.:** **US D989,489 S**
(45) **Date of Patent:** **** Jun. 20, 2023**

(54) **CLASP LOCK**

(71) Applicant: **CARTIER INTERNATIONAL AG,**
Steinhausen (CH)

(72) Inventor: **Jana Schlegel,** Paris (FR)

(**) Term: **15 Years**

(21) Appl. No.: **35/514,432**

(22) Filed: **Dec. 14, 2021**

(80) **Hague Agreement Data**

Int. Filing Date: **Dec. 14, 2021**
Int. Reg. No.: **DM/218449**
Int. Reg. Date: **Dec. 14, 2021**
Int. Reg. Pub. Date: **Jun. 17, 2022**

(30) **Foreign Application Priority Data**

Jun. 18, 2021 (WO) WIPO105977

(51) **LOC (14) Cl.** **03-01**

(52) **U.S. Cl.**
USPC **D3/325; D3/318; D11/239**

(58) **Field of Classification Search**
USPC D3/318, 323, 325; D8/330, 331, 333,
D8/334, 343, 344; D11/52, 239
CPC . A45C 13/08; A45C 13/10; A45C 2013/1015;
A45C 13/1069; A45C 13/1076
See application file for complete search history.

(56) **References Cited**

U.S. PATENT DOCUMENTS

D311,157 S * 10/1990 Boivin D11/202
D612,282 S * 3/2010 Iacomucci D11/4
D612,284 S * 3/2010 Iacomucci D11/31
D680,024 S * 4/2013 Le Bail D11/49
D692,343 S * 10/2013 Hardy D11/82
D794,498 S * 8/2017 Fillon D11/82
D809,415 S * 2/2018 Fillon D11/26

D826,772 S * 8/2018 Yuson D11/201
D829,570 S * 10/2018 Rabassa D10/34
D834,319 S * 11/2018 Trussardi D3/325
D834,824 S * 12/2018 Trussardi D3/325
D835,415 S * 12/2018 Trussardi D3/325
D835,914 S * 12/2018 Fusi D3/318
D842,609 S * 3/2019 Yuson D11/239
D868,613 S * 12/2019 Sumi D10/126
D893,877 S * 8/2020 Dykalo D3/318
D932,932 S * 10/2021 Le Bail D11/52
D953,037 S * 5/2022 Oymak A45C 3/06
D11/239
D3/318
D10/34

D968,968 S * 11/2022 Qian D10/34

OTHER PUBLICATIONS

“Dreambell Jungle Leopard Panther Clasp with Safety Lock”, Jan. 19, 2017, Amazon.ca, site visited Jan. 24, 2023: <https://www.amazon.ca/Rhodium-Sterling-Leopard-Panther-Connector/dp/B00O1Z3BT2> (Year: 2017).*

(Continued)

Primary Examiner — Jack Reickel
Assistant Examiner — Michael A Kervin

(57) **CLAIM**

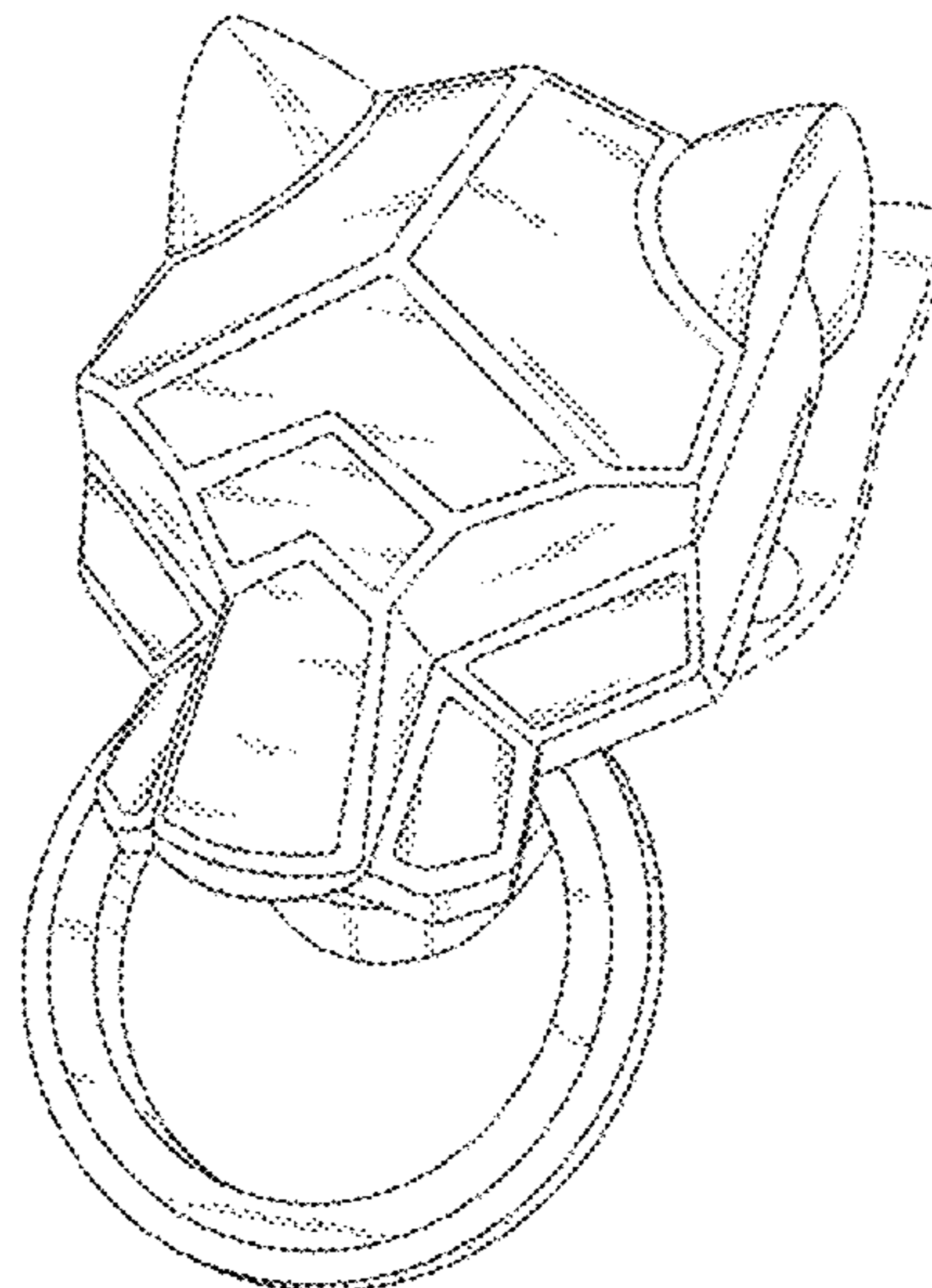
The ornamental design for a clasp lock, as shown and described.

DESCRIPTION

- 1. Clasp lock
- 1.1 : Perspective
- 1.2 : Front
- 1.3 : Back
- 1.4 : Right
- 1.5 : Left
- 1.6 : Top
- 1.7 : Bottom

The broken line showing of the clasp lock is for the purpose of illustrating portions of the article and forms no part of the claimed design.

1 Claim, 7 Drawing Sheets



(56)

References Cited

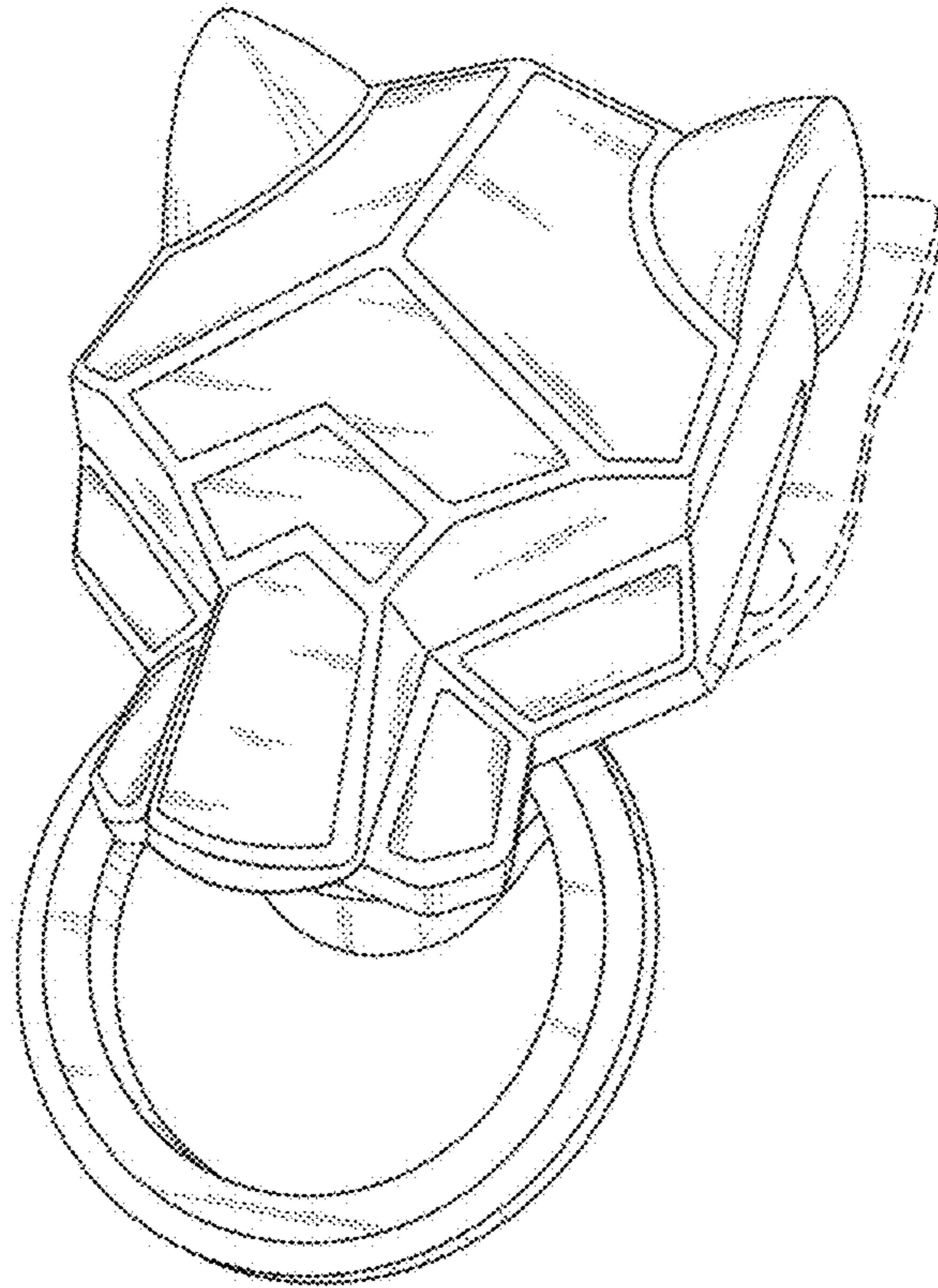
OTHER PUBLICATIONS

“Santuzza Panther White Cubic Zirconia Pendant for Women 925 Sterling Silver Leopard Head Jewelry”, Oct. 31, 2020, Amazon.ca, site visited Jan. 24, 2023: <https://www.amazon.ca/dp/B08LYM26YV> (Year: 2020).*

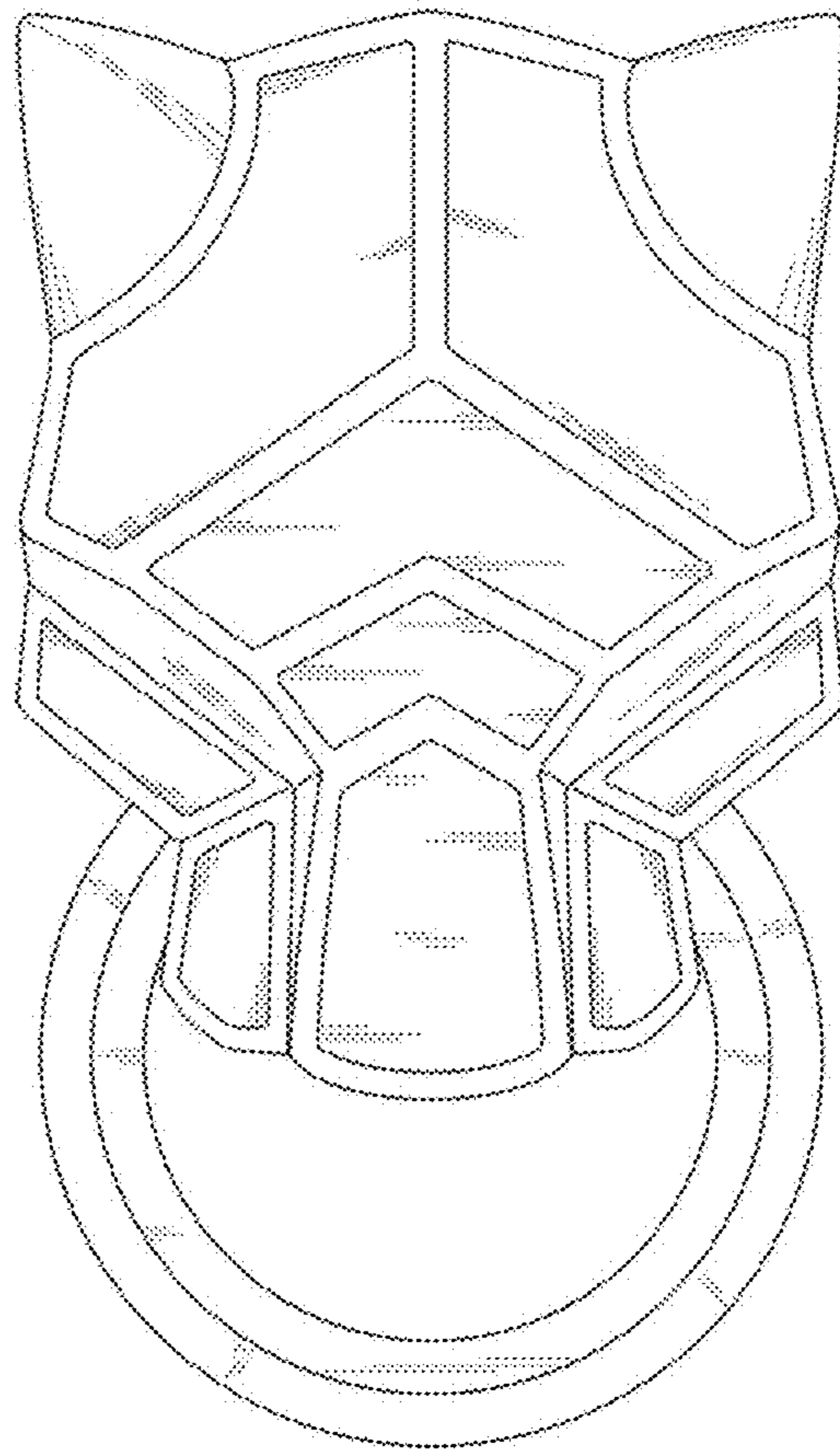
“Cartier Unveils the Latest Panthère De Cartier Chain Bags”, Sep. 2, 2022, hypebae.com, site visited Jan. 24, 2023: <https://hypebae.com/2022/9/cartier-panthere-de-cartier-chain-bags-lily-collins-campaign-collection-info-price-where-to-buy> (Year: 2022).*

* cited by examiner

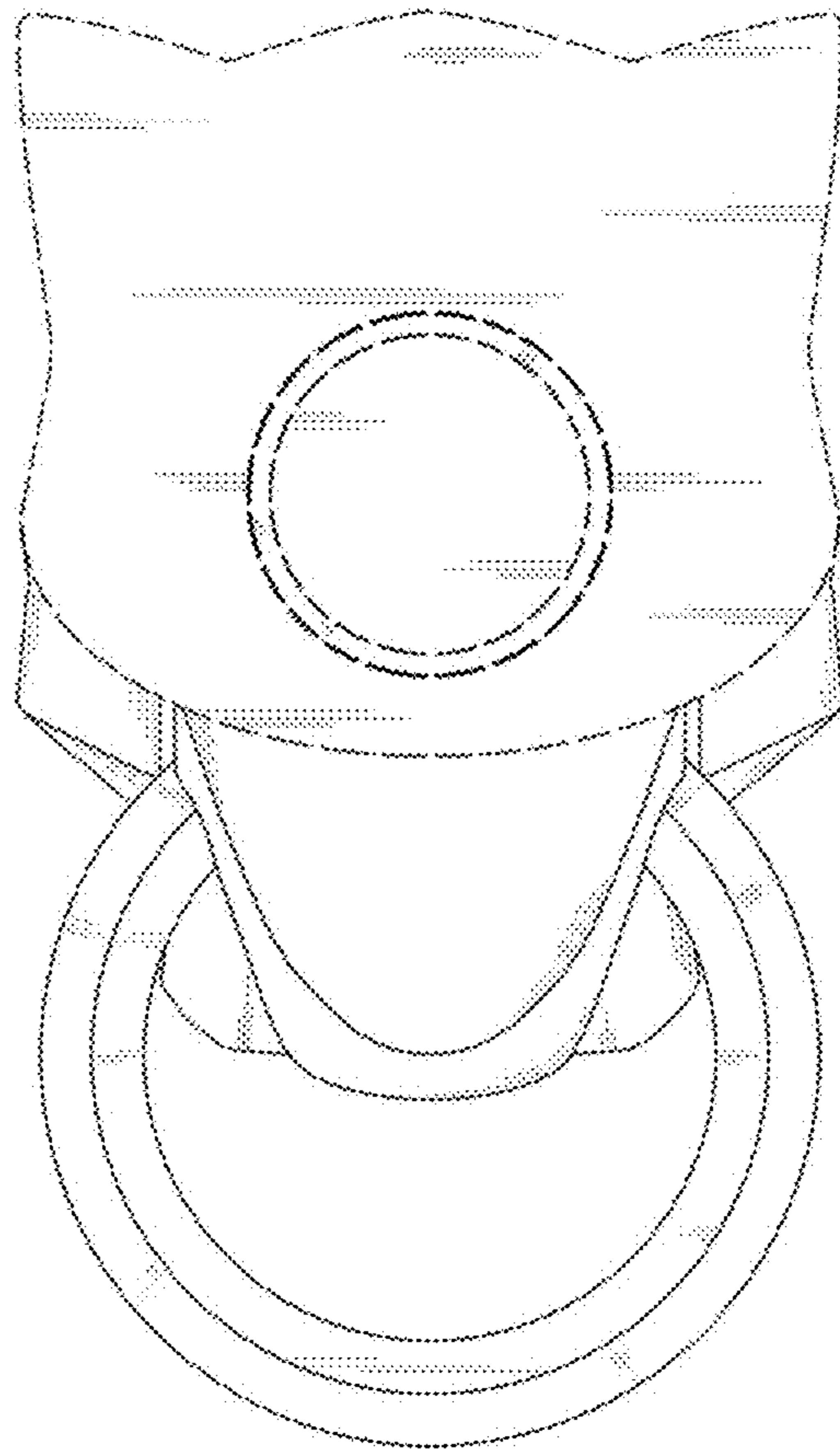
1.1



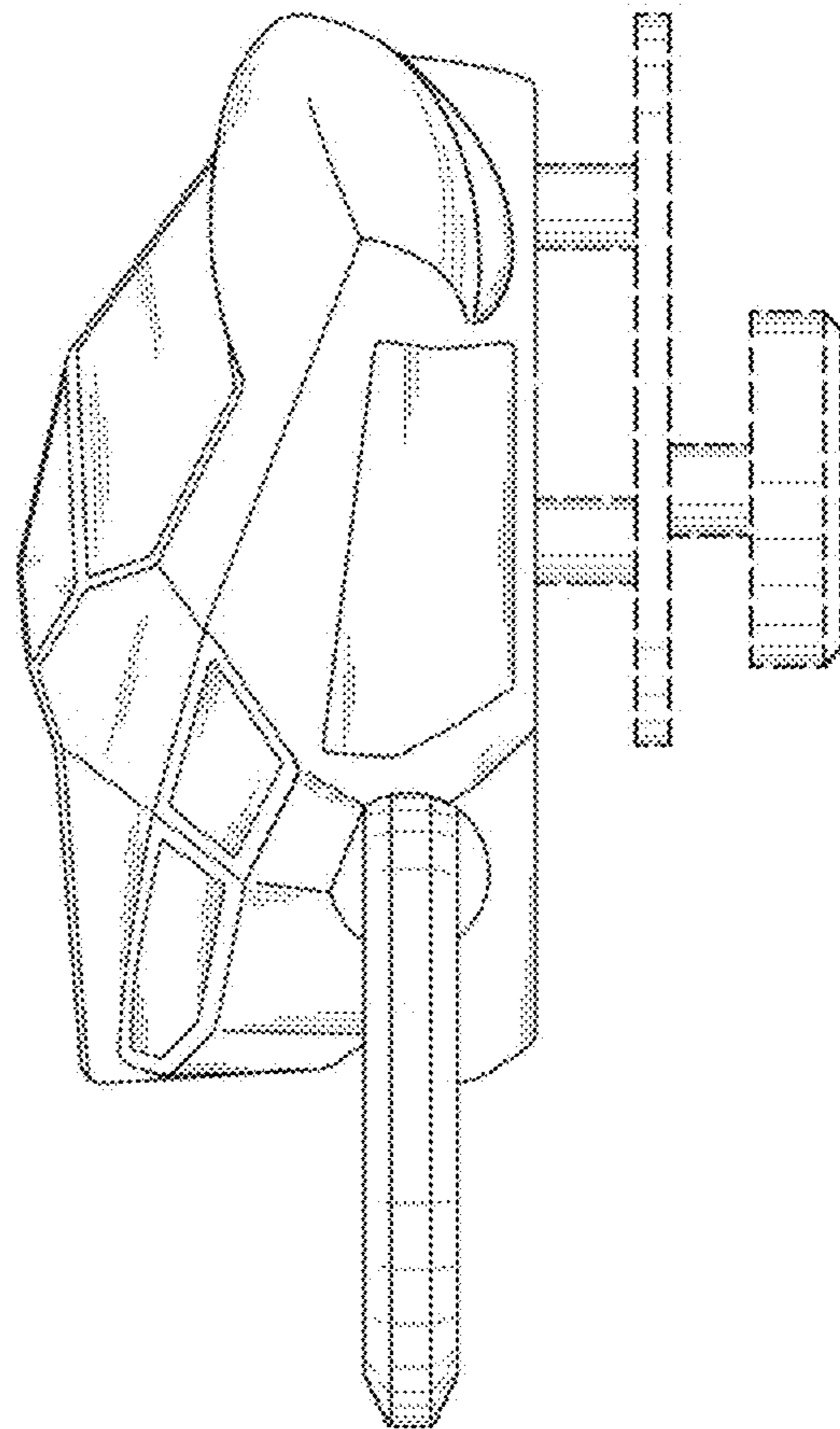
1.2



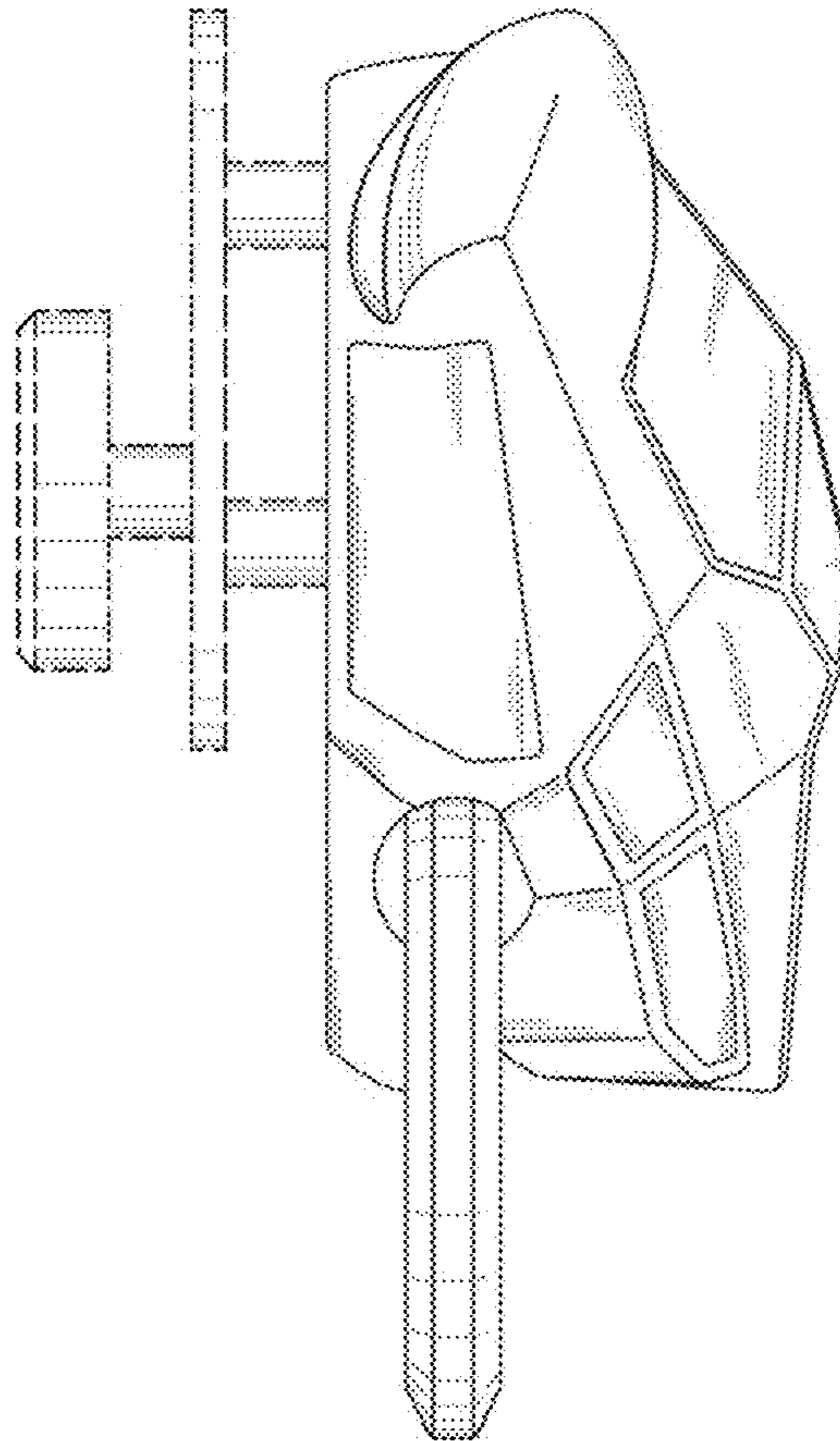
1.3



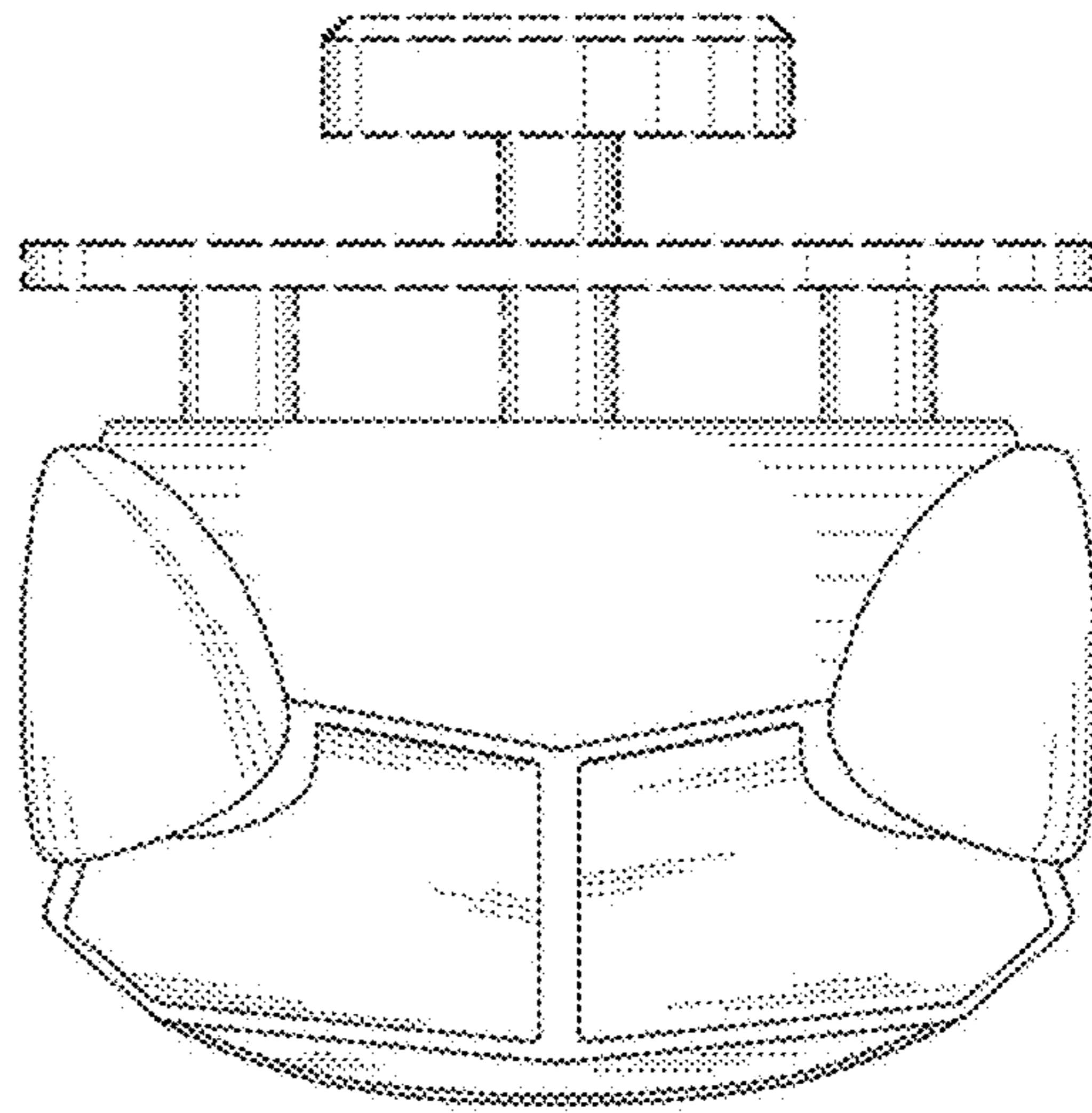
1.4



1.5



1.6



1.7

